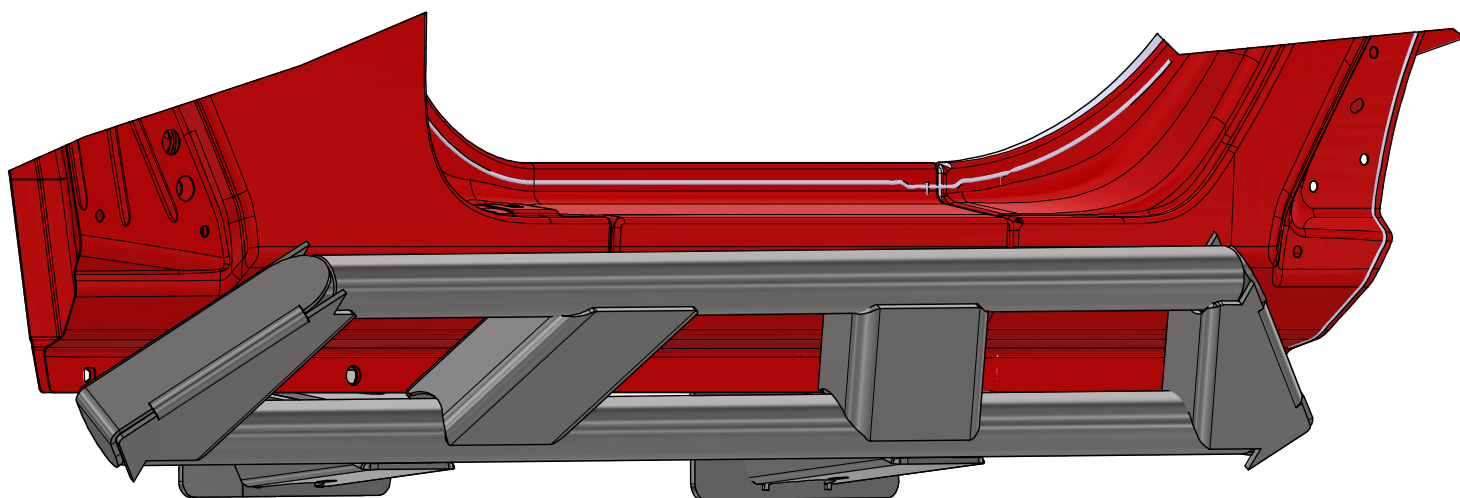


# JL WELD ON ROCK SLIDERS

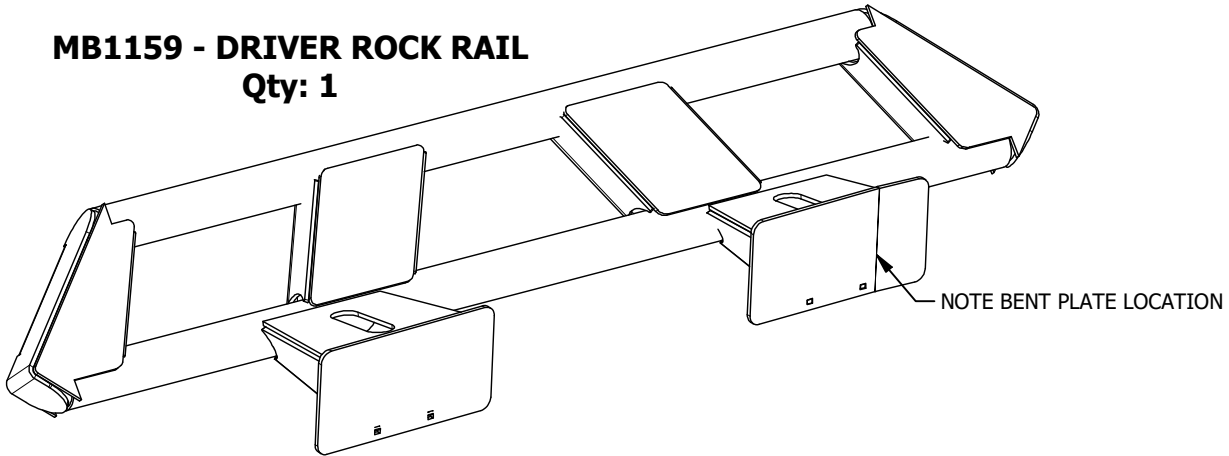


## INSTALLATION INSTRUCTIONS

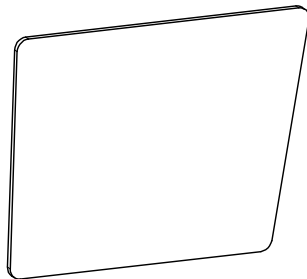
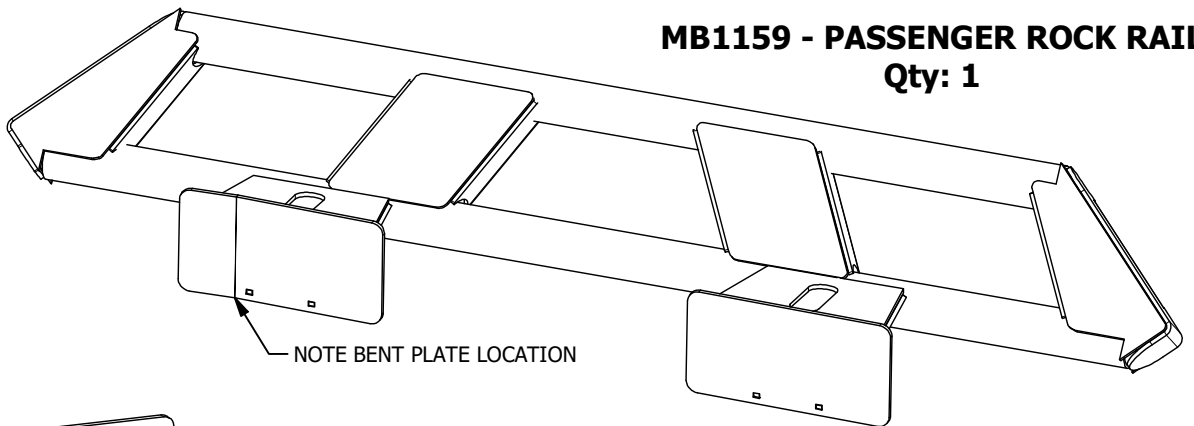
**MB1159 - Assembly Instructions JL Rock Rails - 2 Door**

**KIT COMPONENTS**

**MB1159 - DRIVER ROCK RAIL**  
Qty: 1



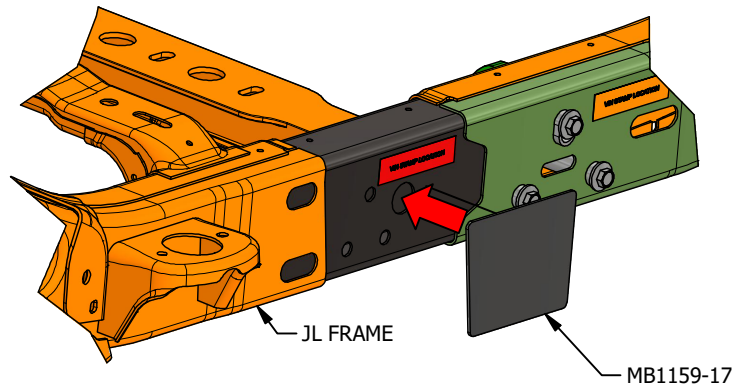
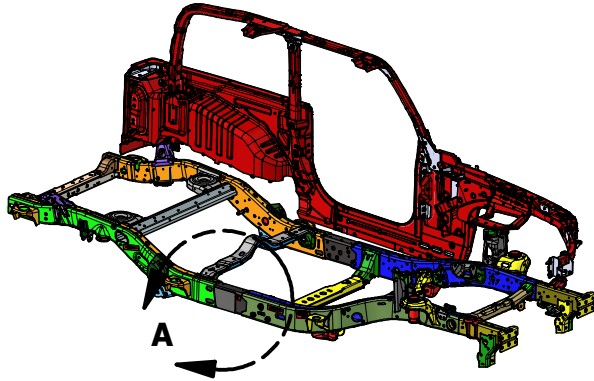
**MB1159 - PASSENGER ROCK RAIL**  
Qty: 1



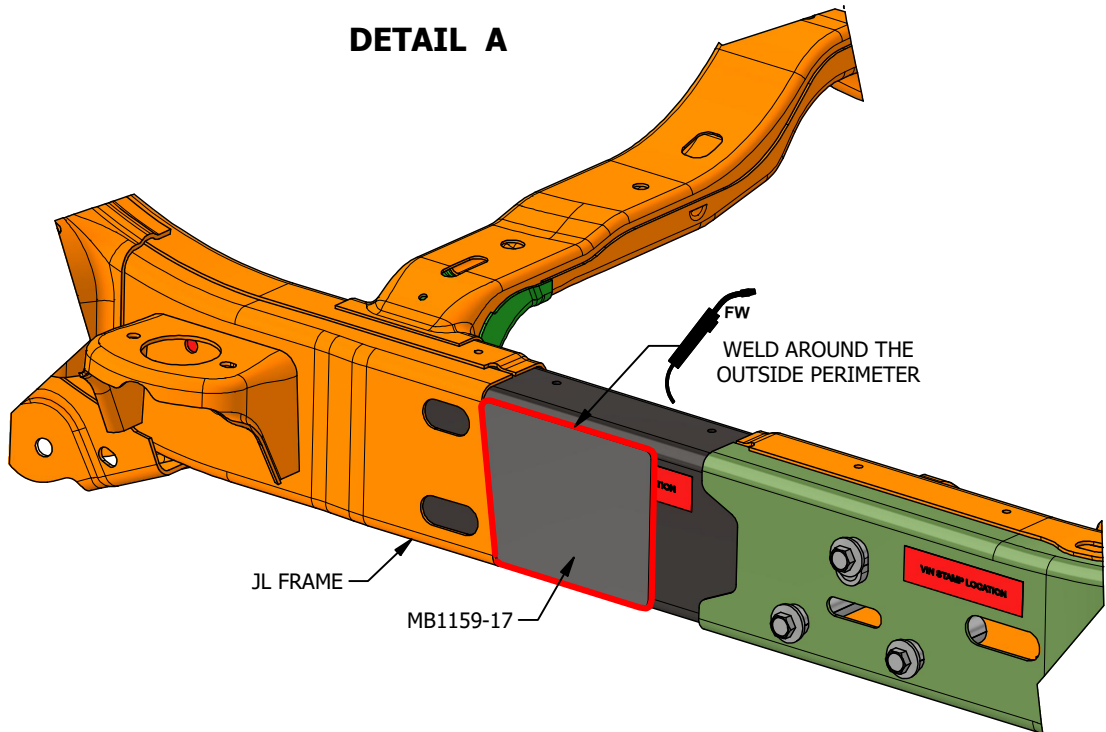
**MB1159-17**  
Qty: 2

**MB1159 - Assembly Instructions JL Rock Rails - 2 Door**

**BASE PLATE - PASSENGER**

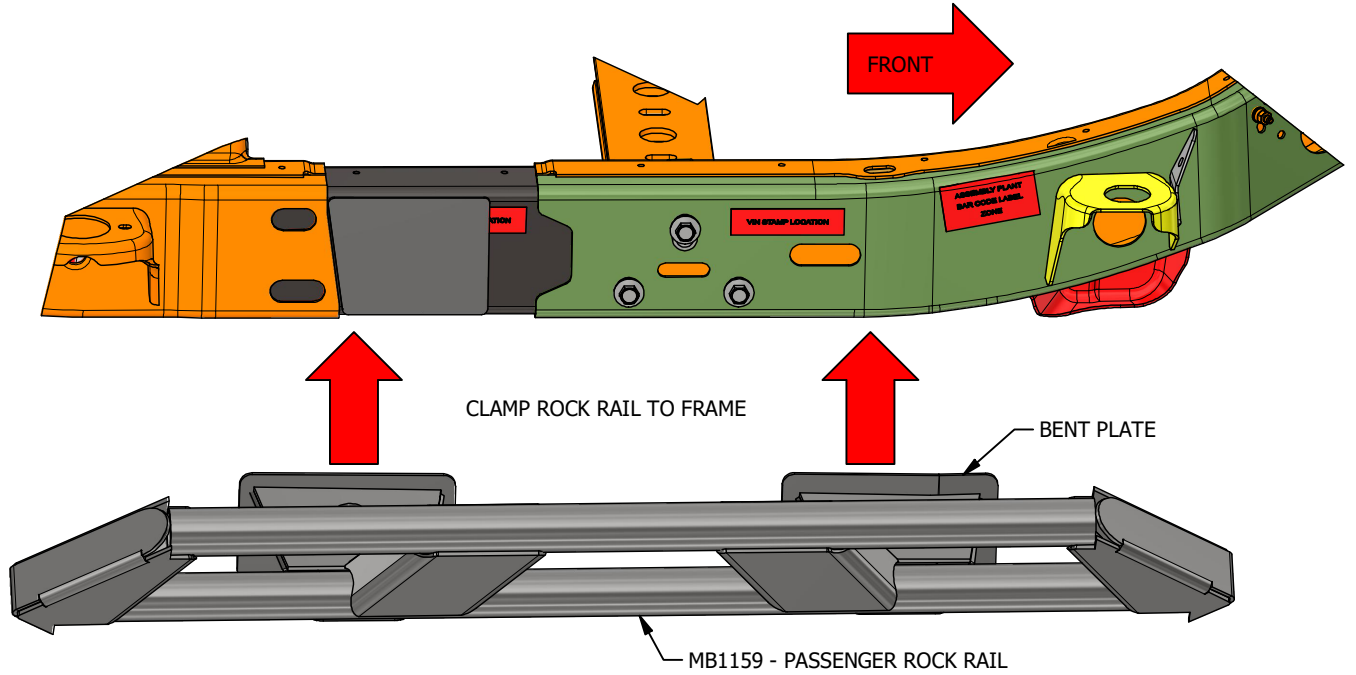


**DETAIL A**

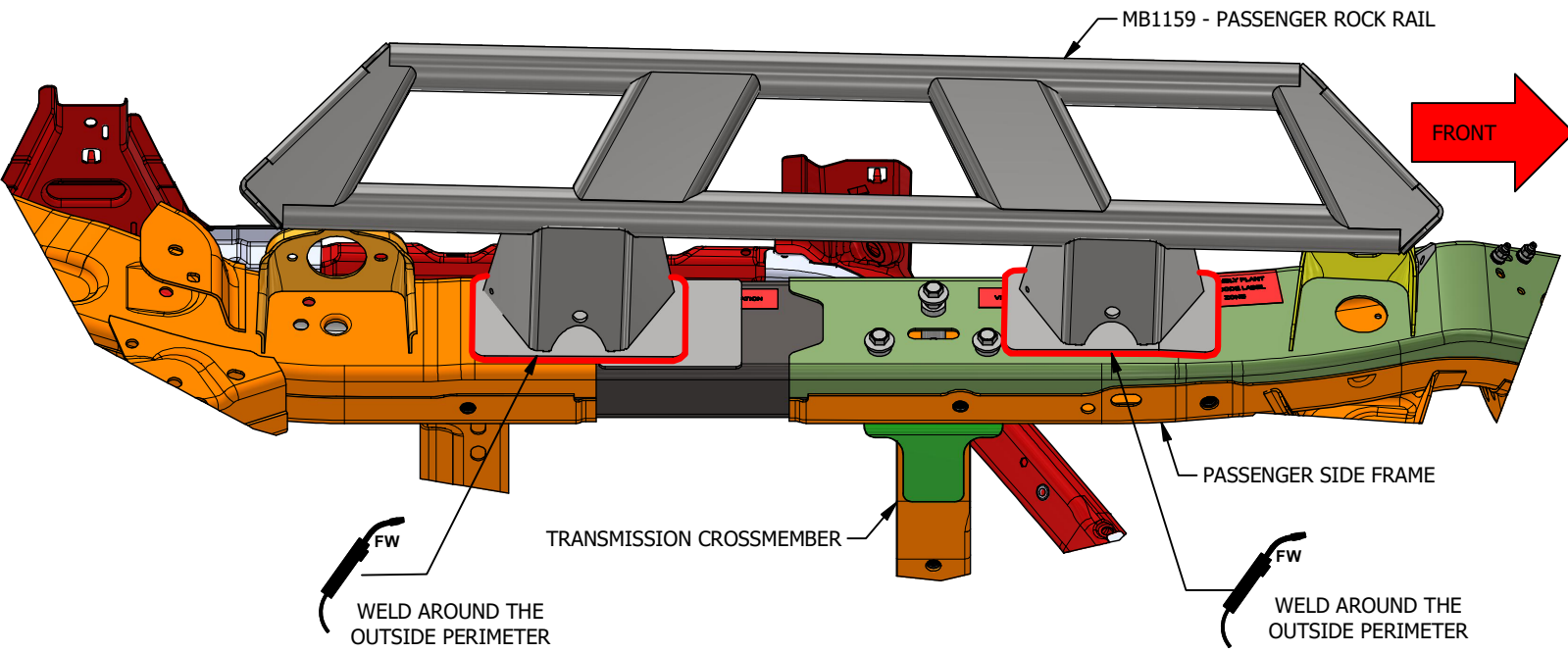


**MB1159 - Assembly Instructions JL Rock Rails - 2 Door**

**SLIDER - PASSENGER**

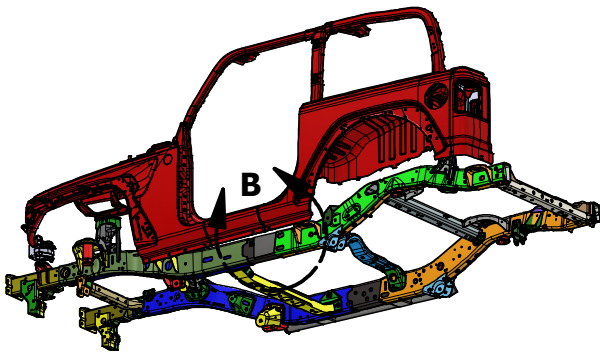
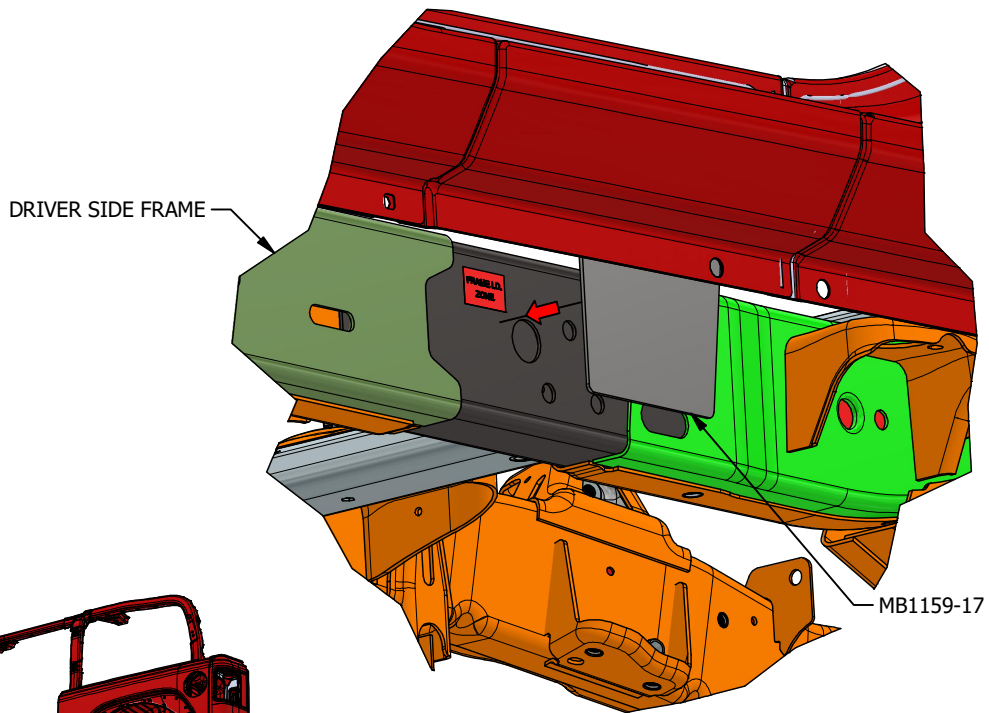


NOTE: CONFIRM THE ROCK SLIDER IS SPACED AT LEAST 1/4" FROM THE BODY SEAM WELD.

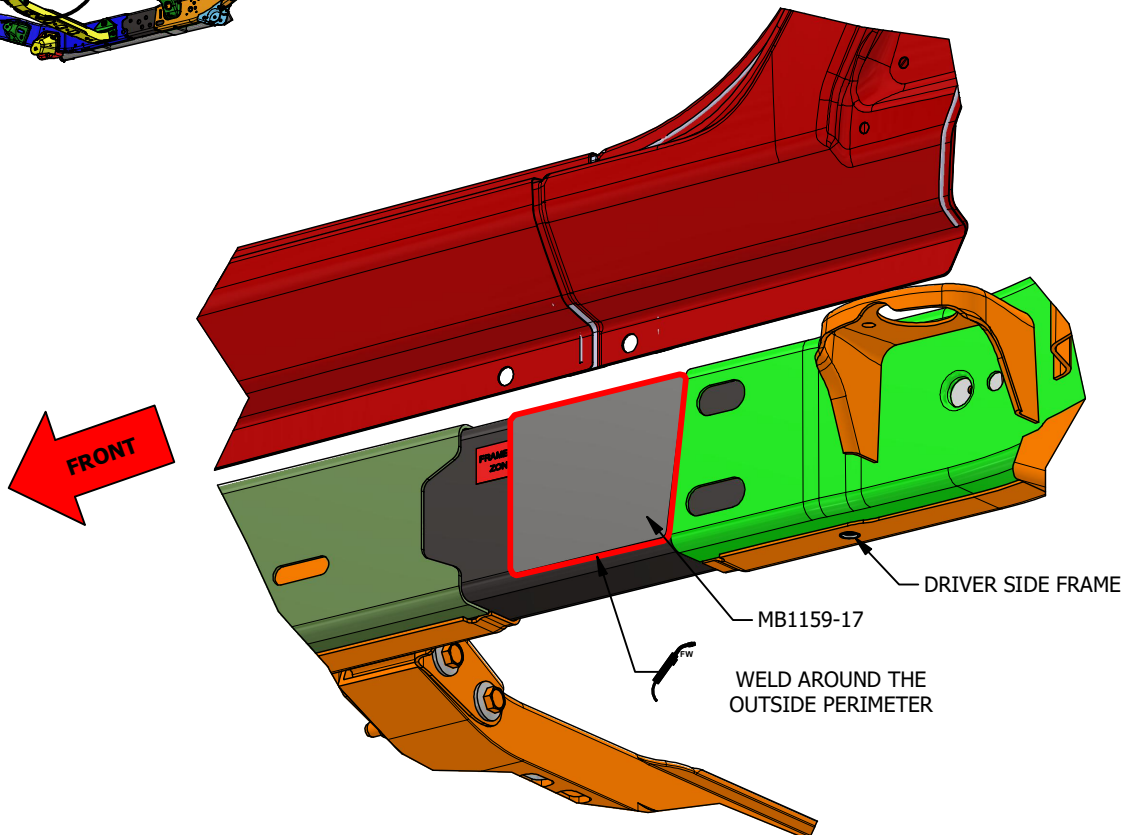


**MB1159 - Assembly Instructions JL Rock Rails - 2 Door**

**BASE PLATE - DRIVER**



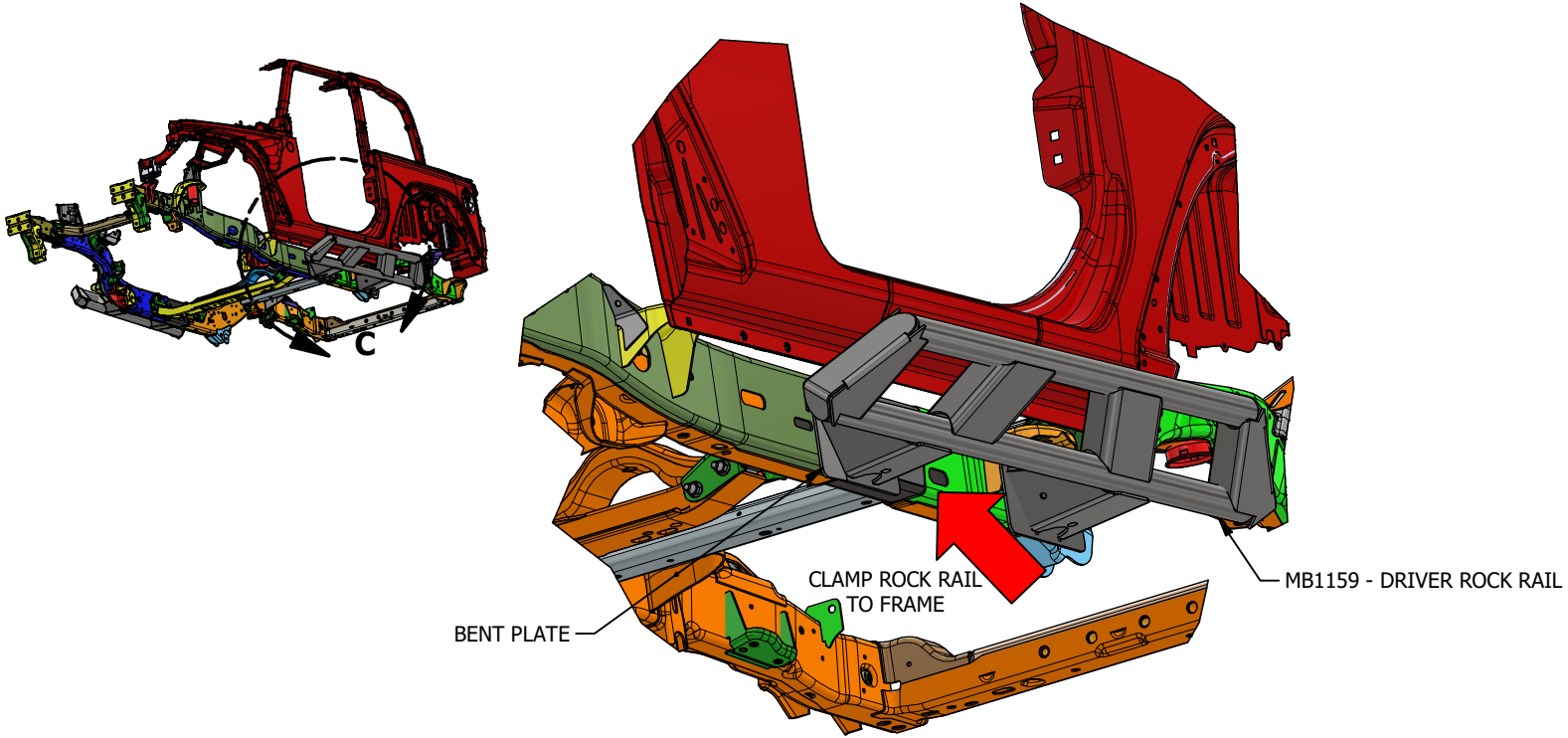
**DETAIL B**





**MB1159 - Assembly Instructions JL Rock Rails - 2 Door**

**SLIDER - DRIVER**



**DETAIL C**

NOTE: CONFIRM THE ROCK SLIDER IS SPACED AT LEAST 1/4" FROM THE BODY SEAM WELD.

