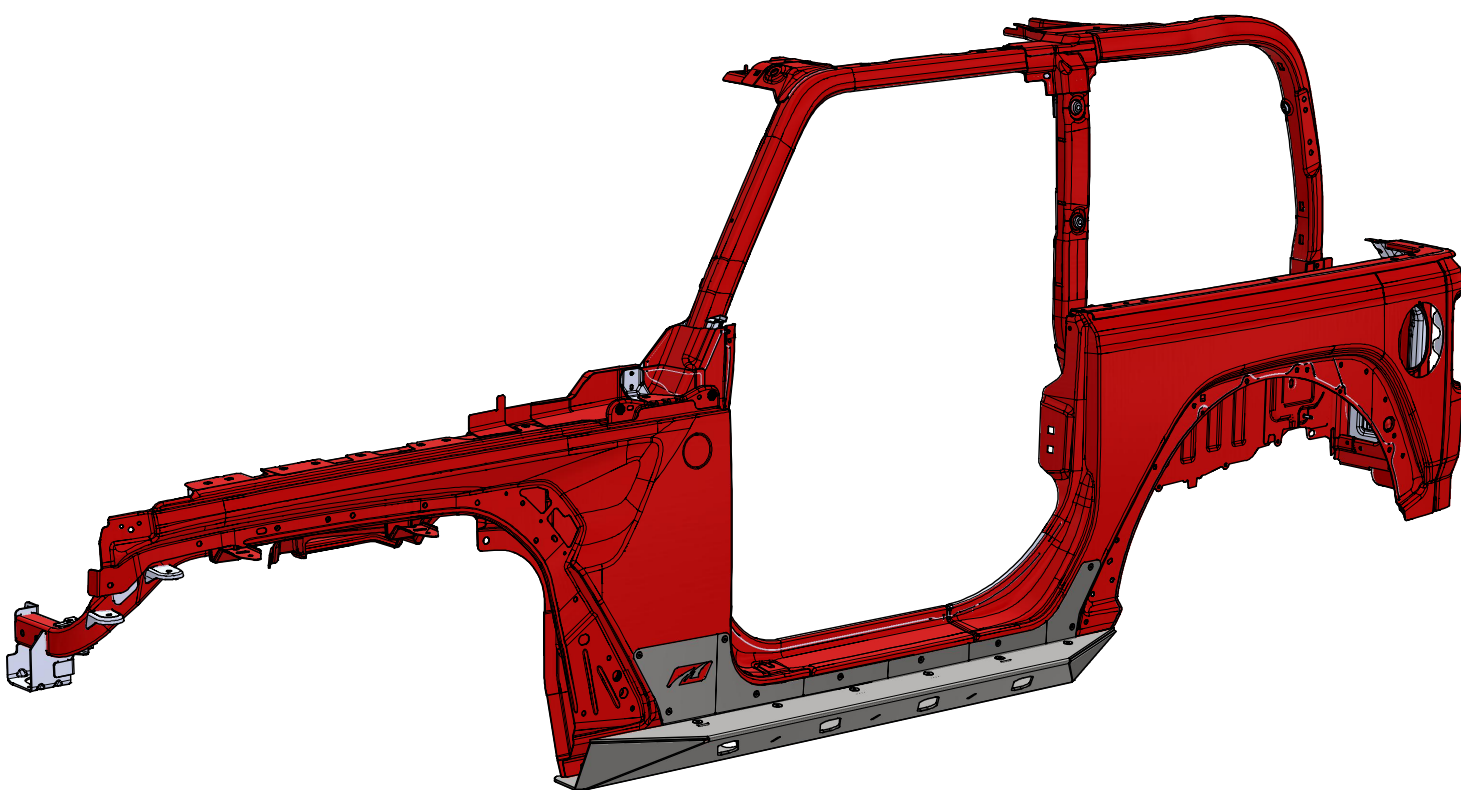


# CRUSHER ROCKER GUARDS WITH STEP FOR JL

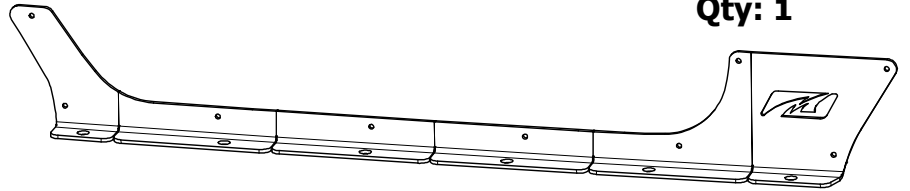


## INSTALLATION INSTRUCTIONS

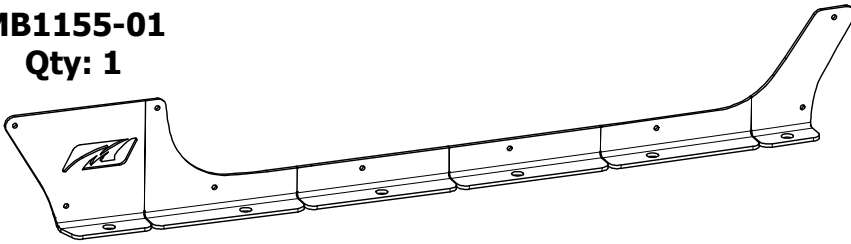
**MB1155 - Installation Instructions Crusher Rocker Guards W/ Step for JL**

**KIT COMPONENTS**

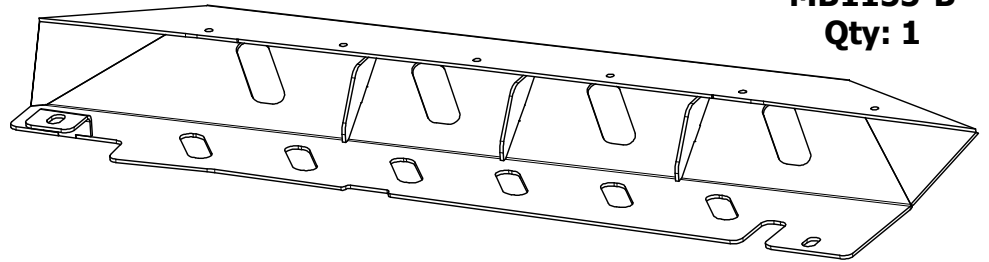
**MB1155-01\_MIR**  
**Qty: 1**



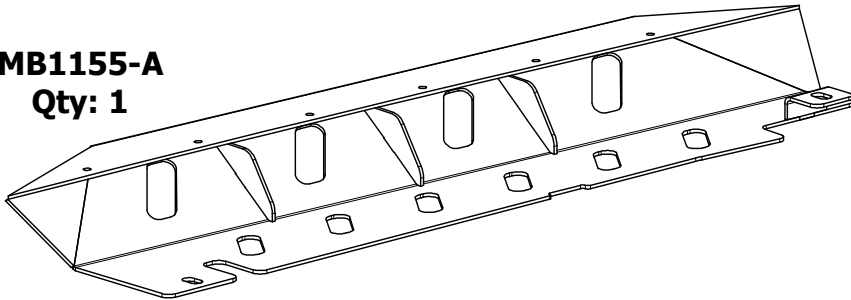
**MB1155-01**  
**Qty: 1**



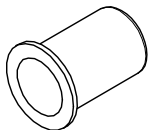
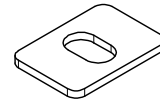
**MB1155-B**  
**Qty: 1**



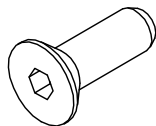
**MB1155-A**  
**Qty: 1**



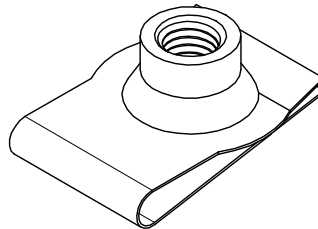
**MB1155-07**  
**Qty: 4**



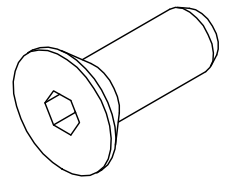
**RIVNUT**  
**1/4"-20**  
**Qty: 18**



**FLAT HEAD SOCKET**  
**CAP SCREW STAINLESS**  
**1/4"-20 x 3/4"**  
**Qty: 18**



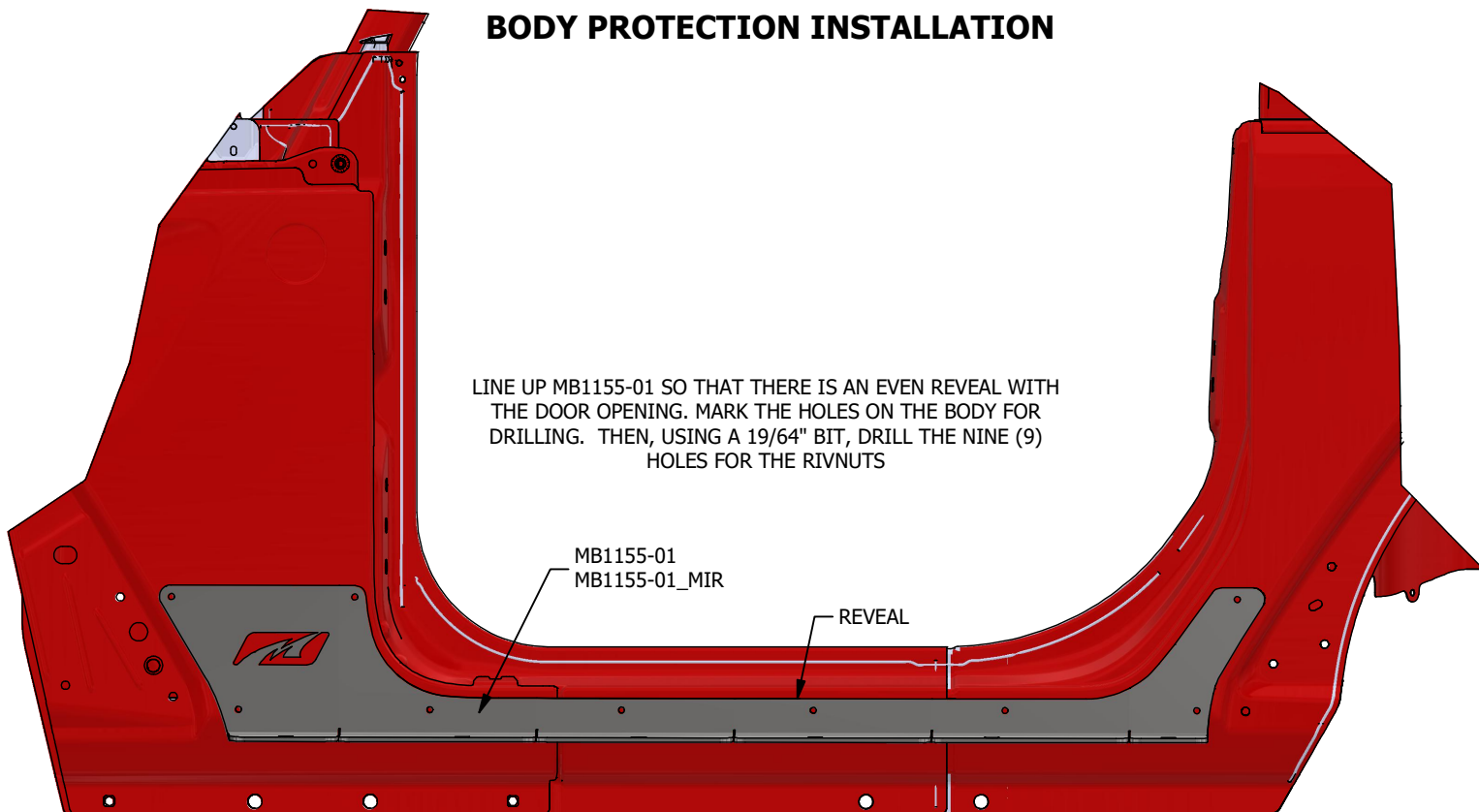
**BARREL NUT**  
**3/8"**  
**Qty: 12**



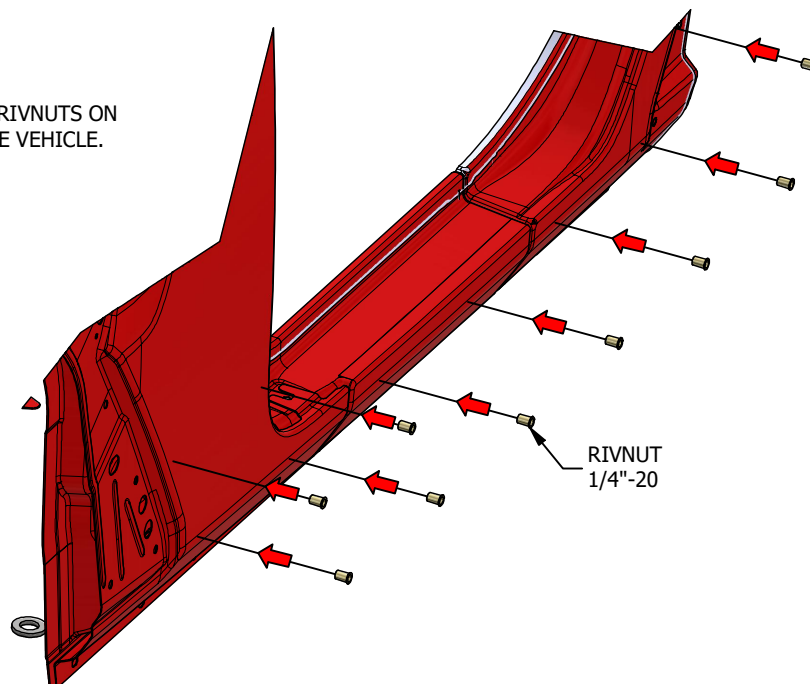
**FLAT HEAD SOCKET**  
**CAP SCREW STAINLESS**  
**3/8"-16 x 1"**  
**Qty: 12**

**MB1155 - Installation Instructions Crusher Rocker Guards W/ Step for JL****BODY PROTECTION INSTALLATION**

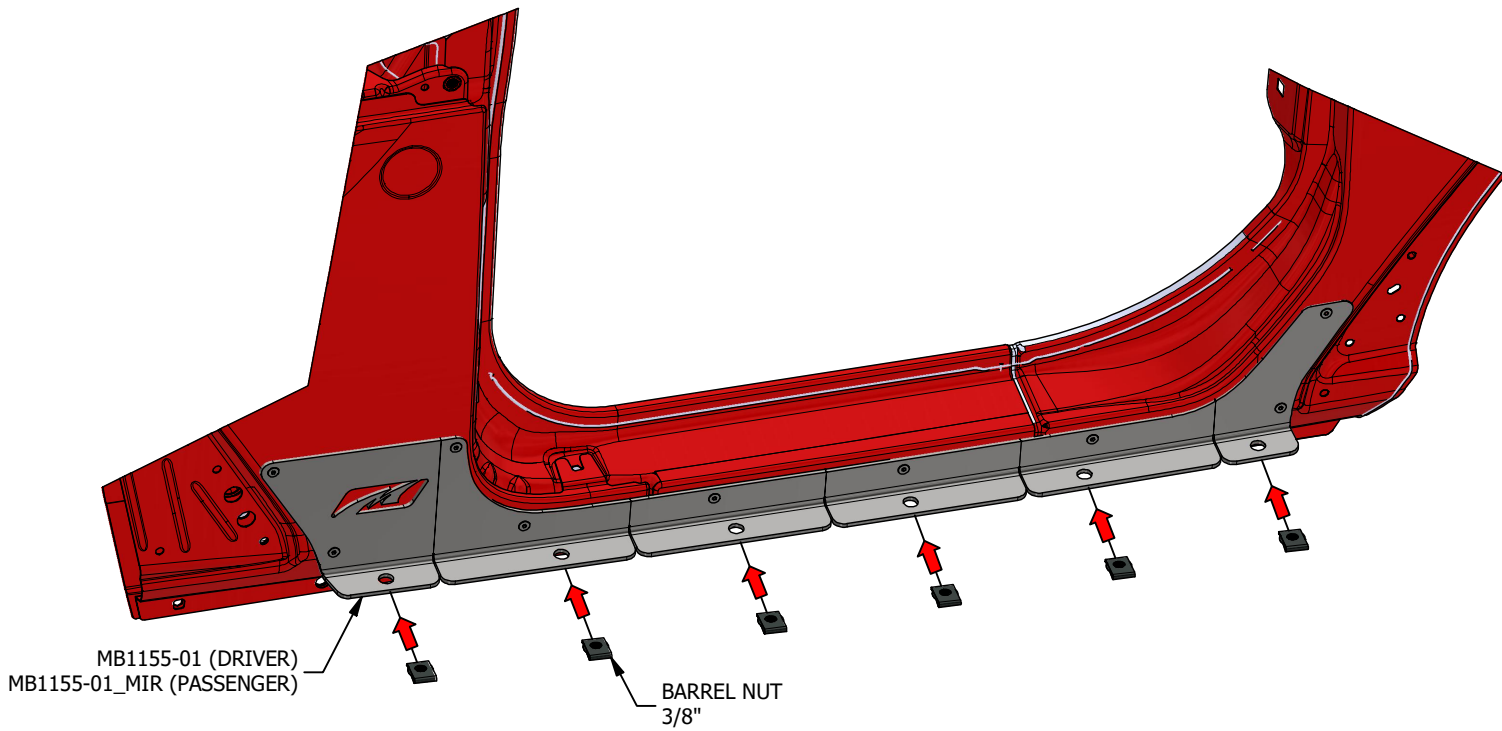
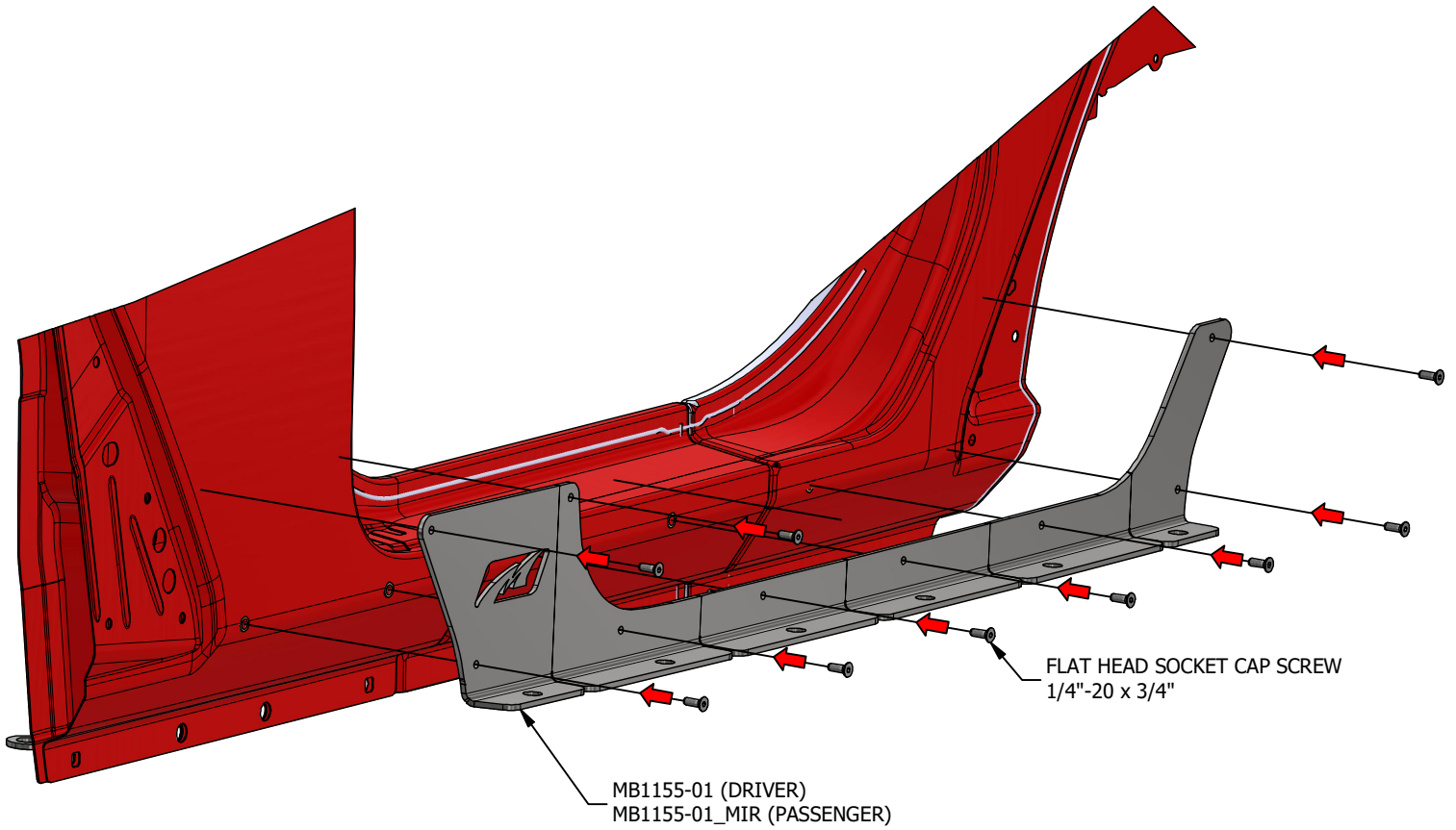
LINE UP MB1155-01 SO THAT THERE IS AN EVEN REVEAL WITH THE DOOR OPENING. MARK THE HOLES ON THE BODY FOR DRILLING. THEN, USING A 19/64" BIT, DRILL THE NINE (9) HOLES FOR THE RIVNUTS



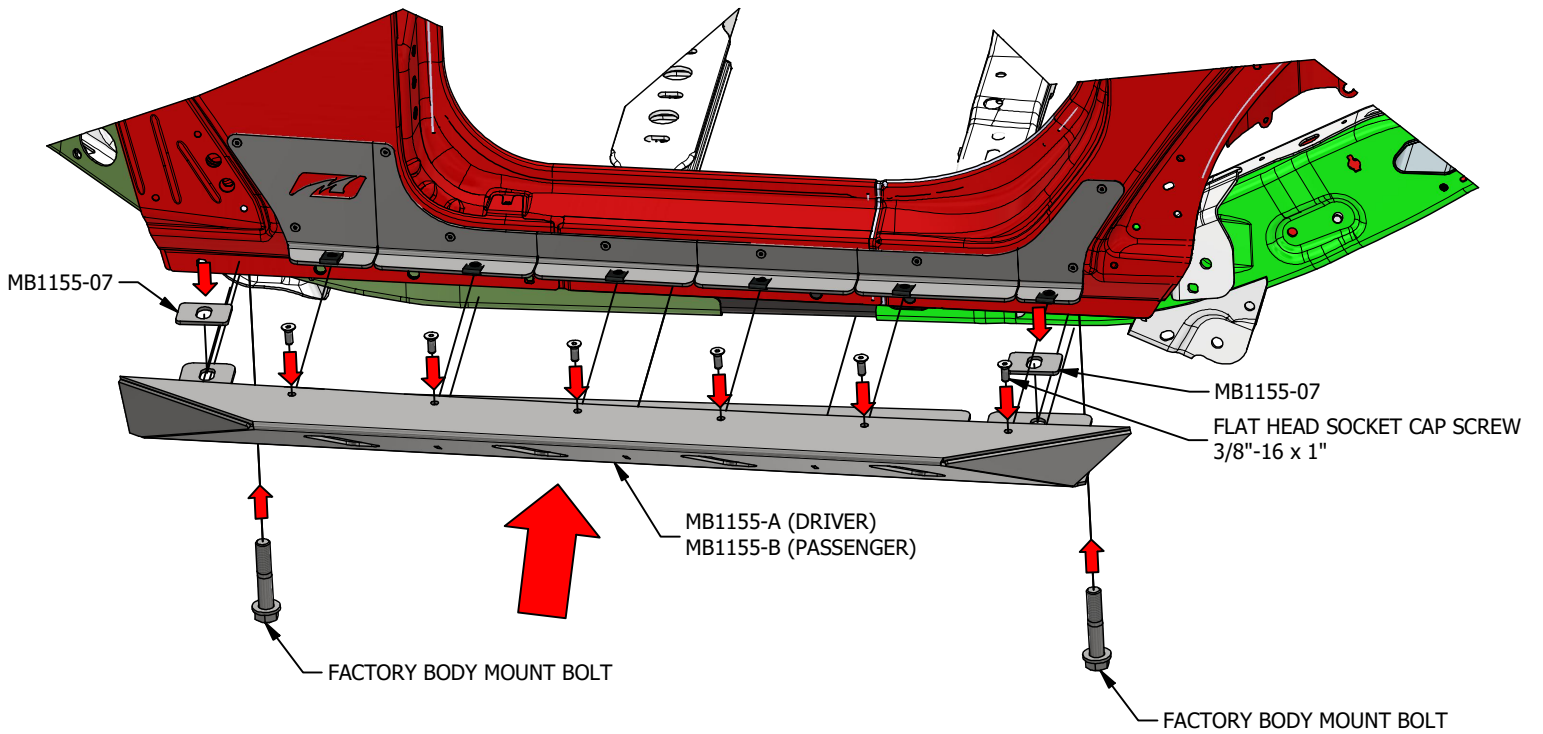
INSTALL NINE (9) RIVNUTS ON EACH SIDE OF THE VEHICLE.



**MB1155 - Installation Instructions Crusher Rocker Guards W/ Step for JL**



**MB1155 - Installation Instructions Crusher Rocker Guards W/ Step for JL**



REMOVE THE BODY MOUNT BOLTS. SLIDE MB1155-A OR SLIDE MB1155-B ONTO MB1155-01 OR MB1155-01\_MIR RESPECTIVELY AND USE THE SIX (6) 3/8" COUNTER SUNK BOLTS TO FASTEN THEM TOGETHER. THE STEP SHOULD BE MOUNTED UNDERNEATH THE BODY MOUNTS. RE-INSTALL THE BODY MOUNT BOLTS TO SECURE THE STEP.