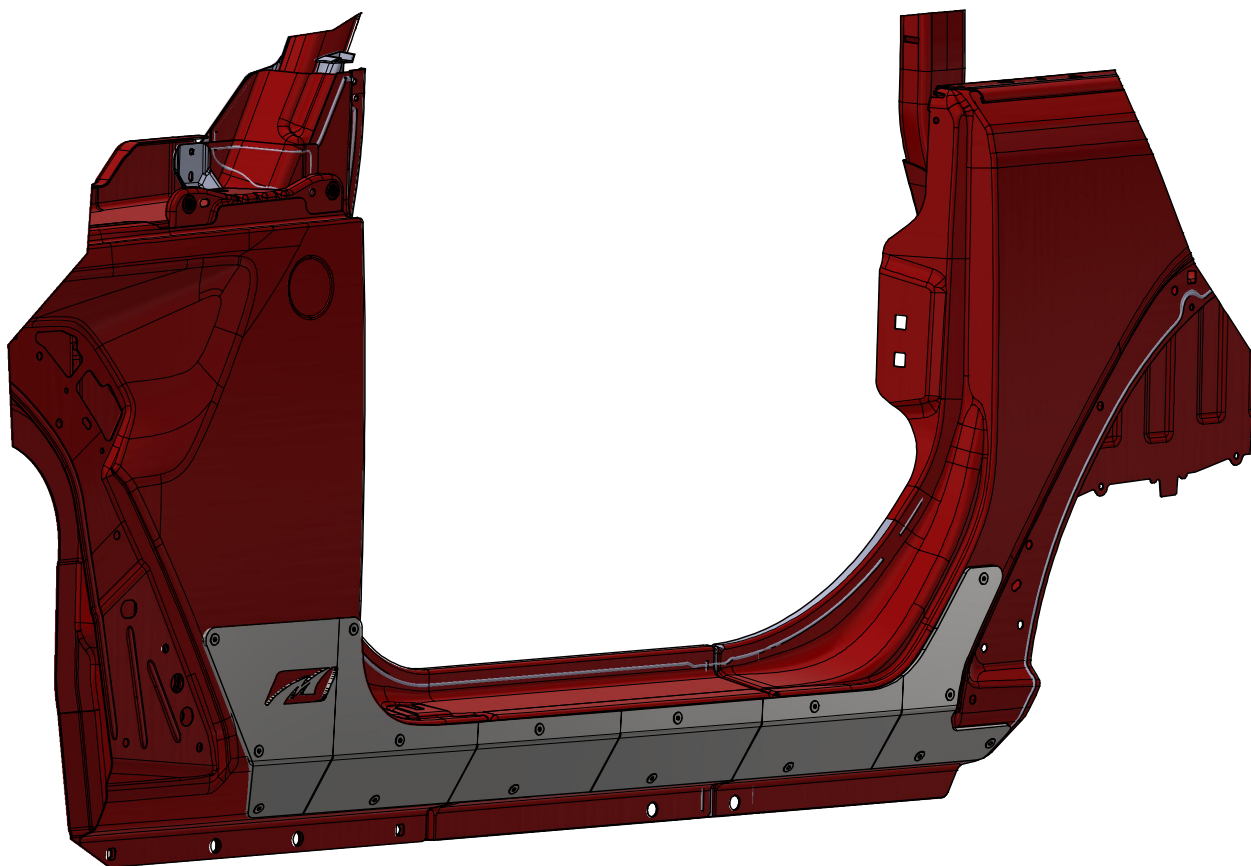
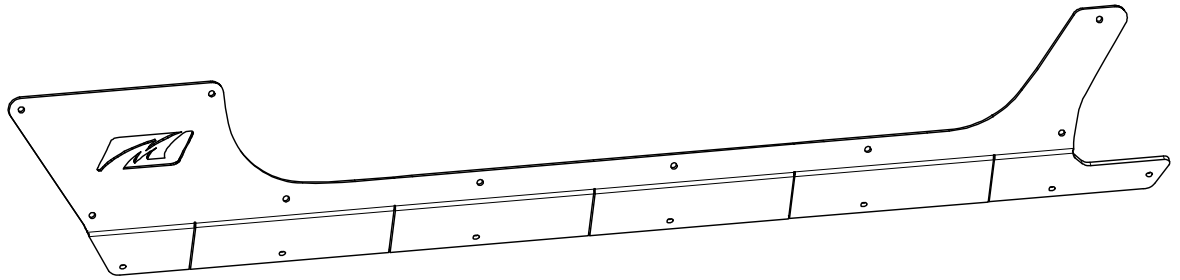


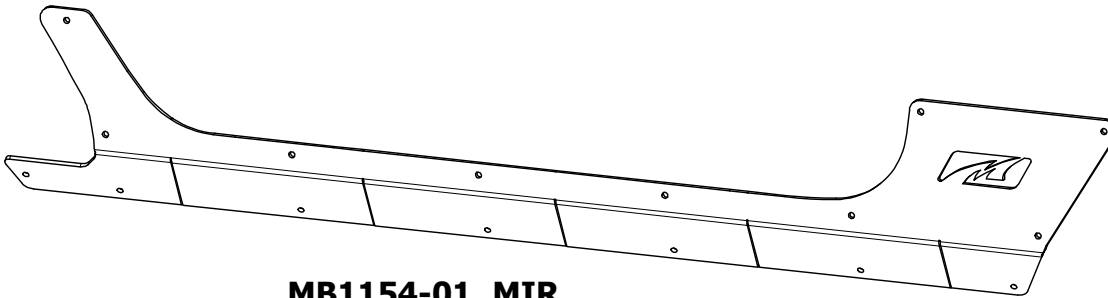
# MB1154 - JL ROCKER ARMOR



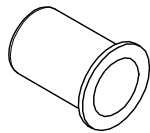
## INSTALLATION INSTRUCTIONS

**MB1154 - Assembly Instructions 2-Door Rocker Armor, JL****KIT COMPONENTS**

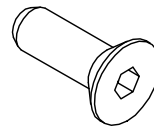
**MB1154-01  
DRIVER  
Qty: 1**



**MB1154-01\_MIR  
PASSENGER  
Qty: 1**



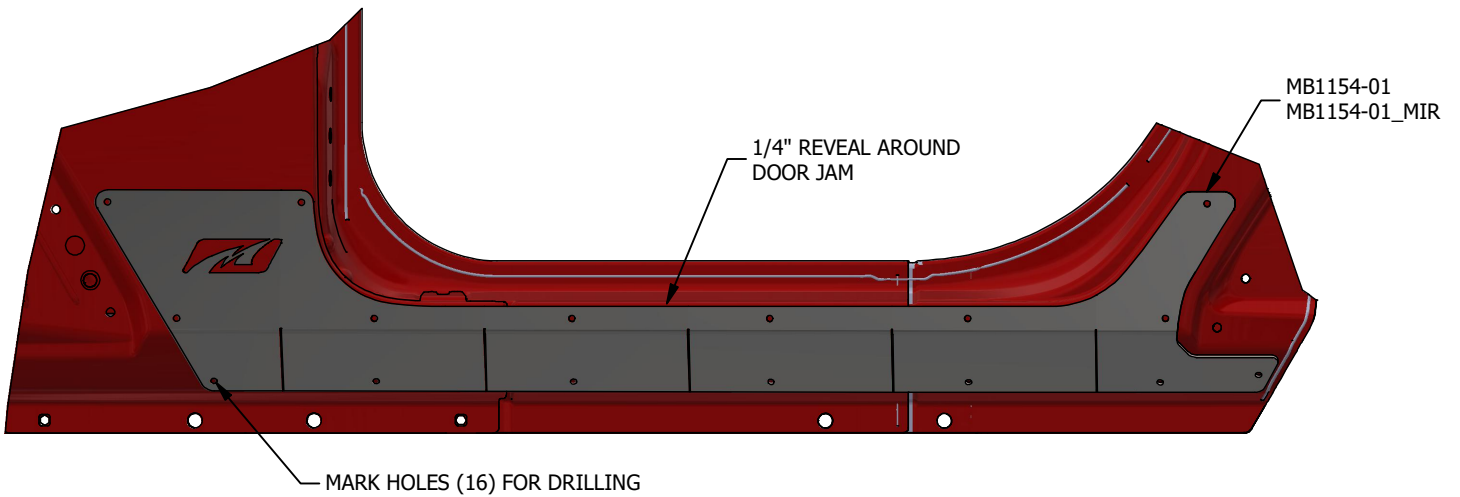
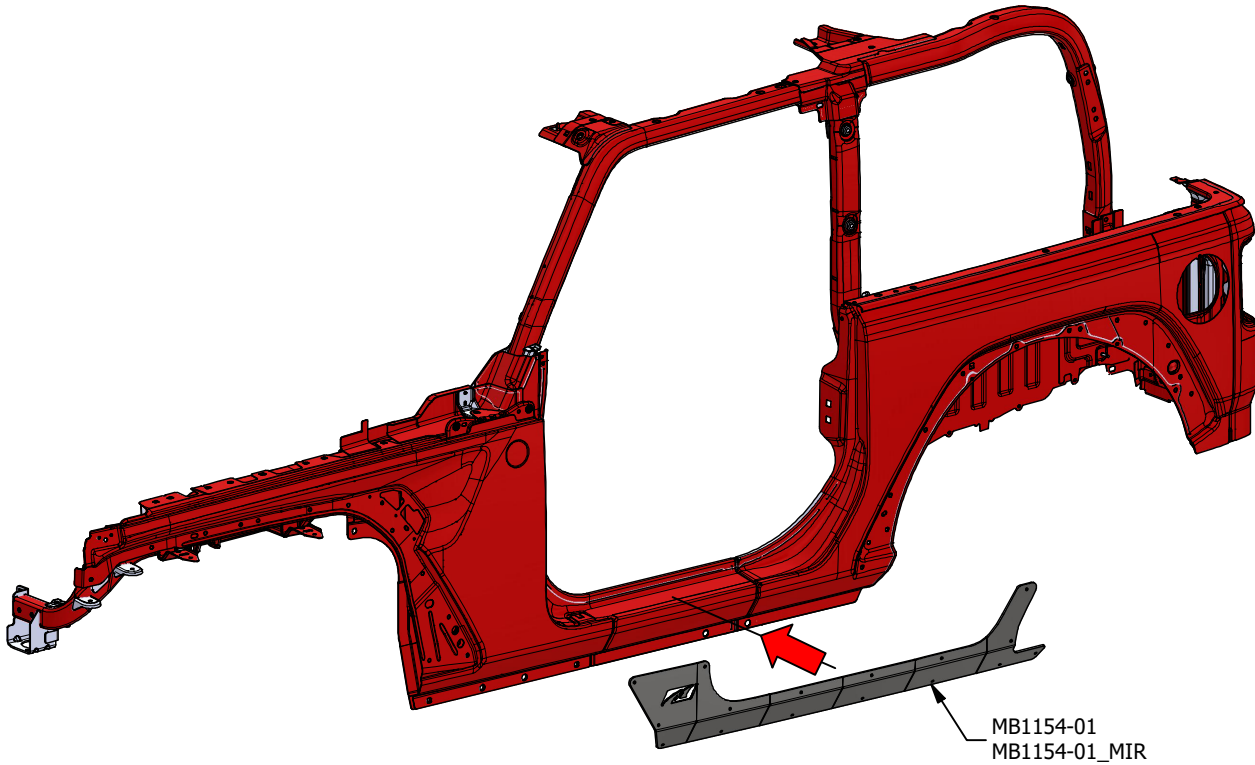
**RIVNUT  
1/4"-20  
Qty: 32**



**FLAT HEAD SOCKET CAP SCREW  
1/4"-20 x 3/4" STAINLESS  
Qty: 32**

**MB1154 - Assembly Instructions 2-Door Rocker Armor, JL**

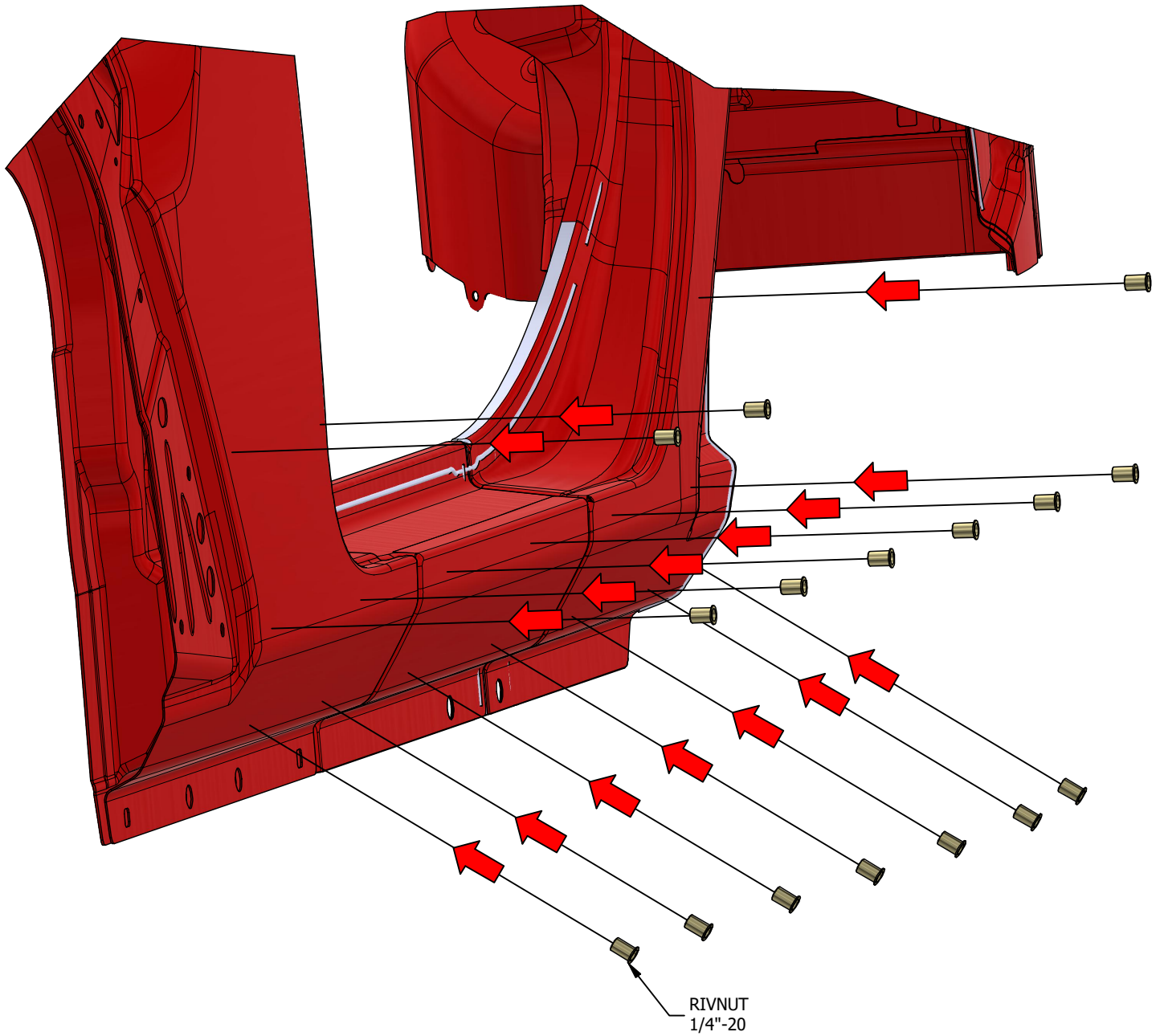
**MARKING HOLES**



CONFIRM BODY ARMOR IS TIGHT AND CONFORMED TO  
THE TUB OF THE JEEP BEFORE DRILLING

**MB1154 - Assembly Instructions 2-Door Rocker Armor, JL****INSTALLING RIVNUTS**

CENTER PUNCH AND THEN USE A 25/64" DRILL BIT TO DRILL OUT THE SIXTEEN (16) HOLES MARKED IN THE PREVIOUS STEP. INSERT A RIVNUT INTO EACH HOLE



**MB1154 - Assembly Instructions 2-Door Rocker Armor, JL**

**INSTALLING ARMOR**

