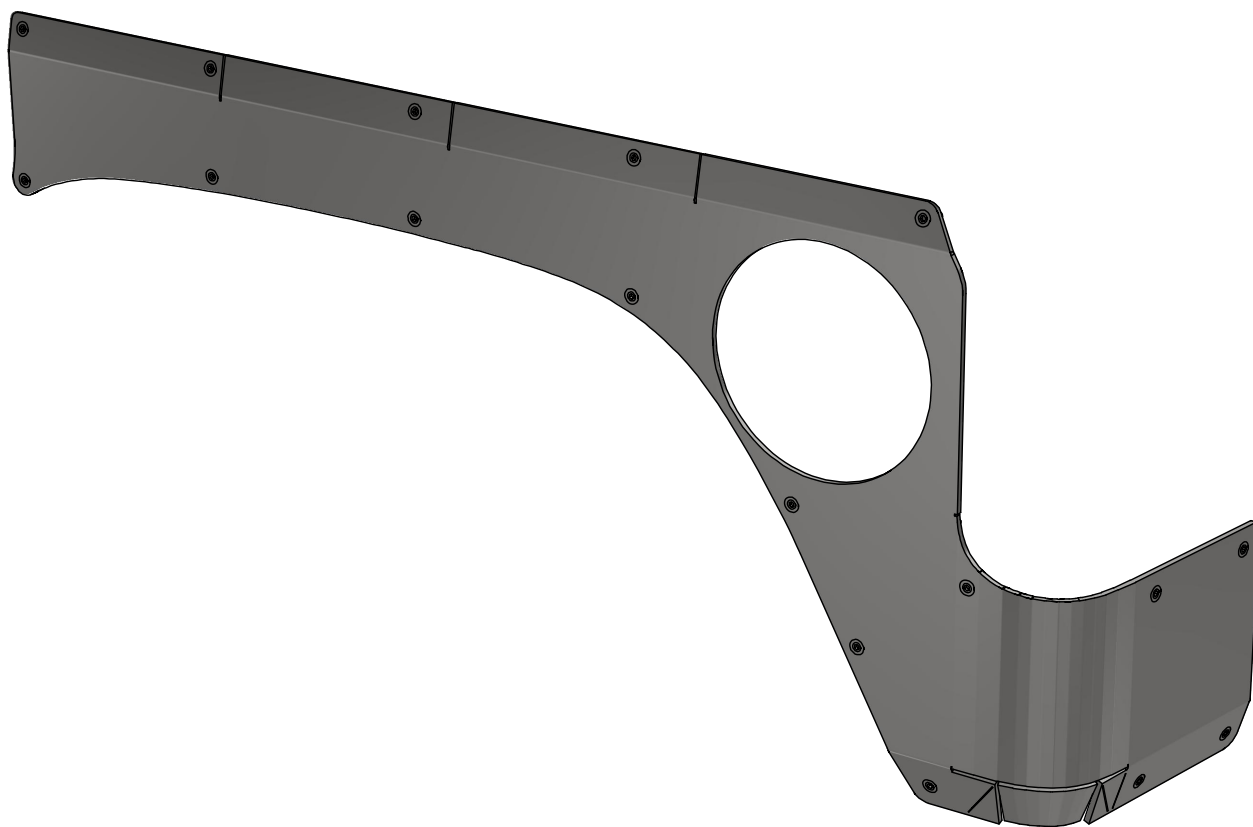


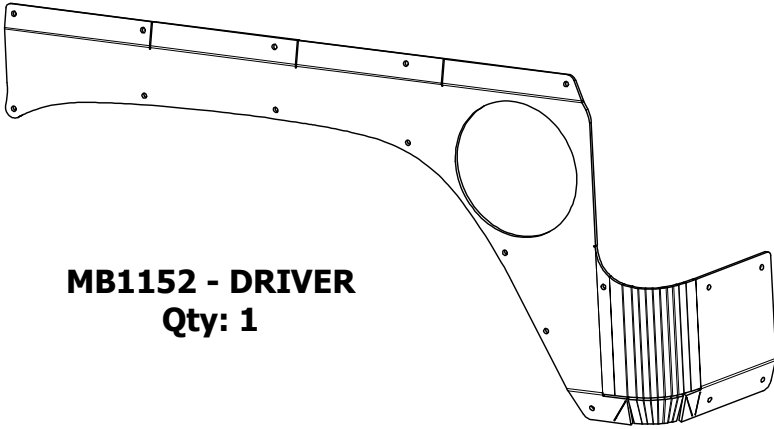
# JLU REAR CORNER ARMOR



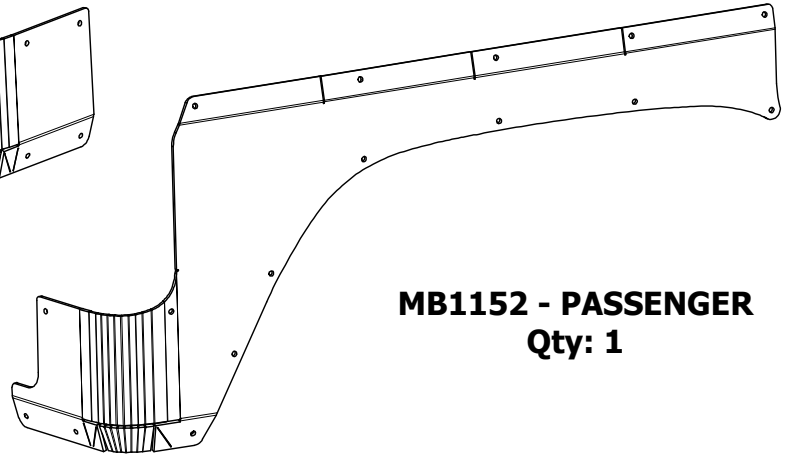
## ASSEMBLY INSTRUCTIONS

**MB1152 - Assembly Instructions Rear Corner Armor - JLU**

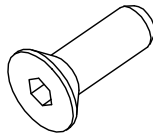
**KIT COMPONENTS**



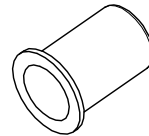
**MB1152 - DRIVER**  
**Qty: 1**



**MB1152 - PASSENGER**  
**Qty: 1**



**FLAT HEAD SOCKET CAP SCREW**  
**1/4"-20 X 3/4" SS**  
**Qty: 33**

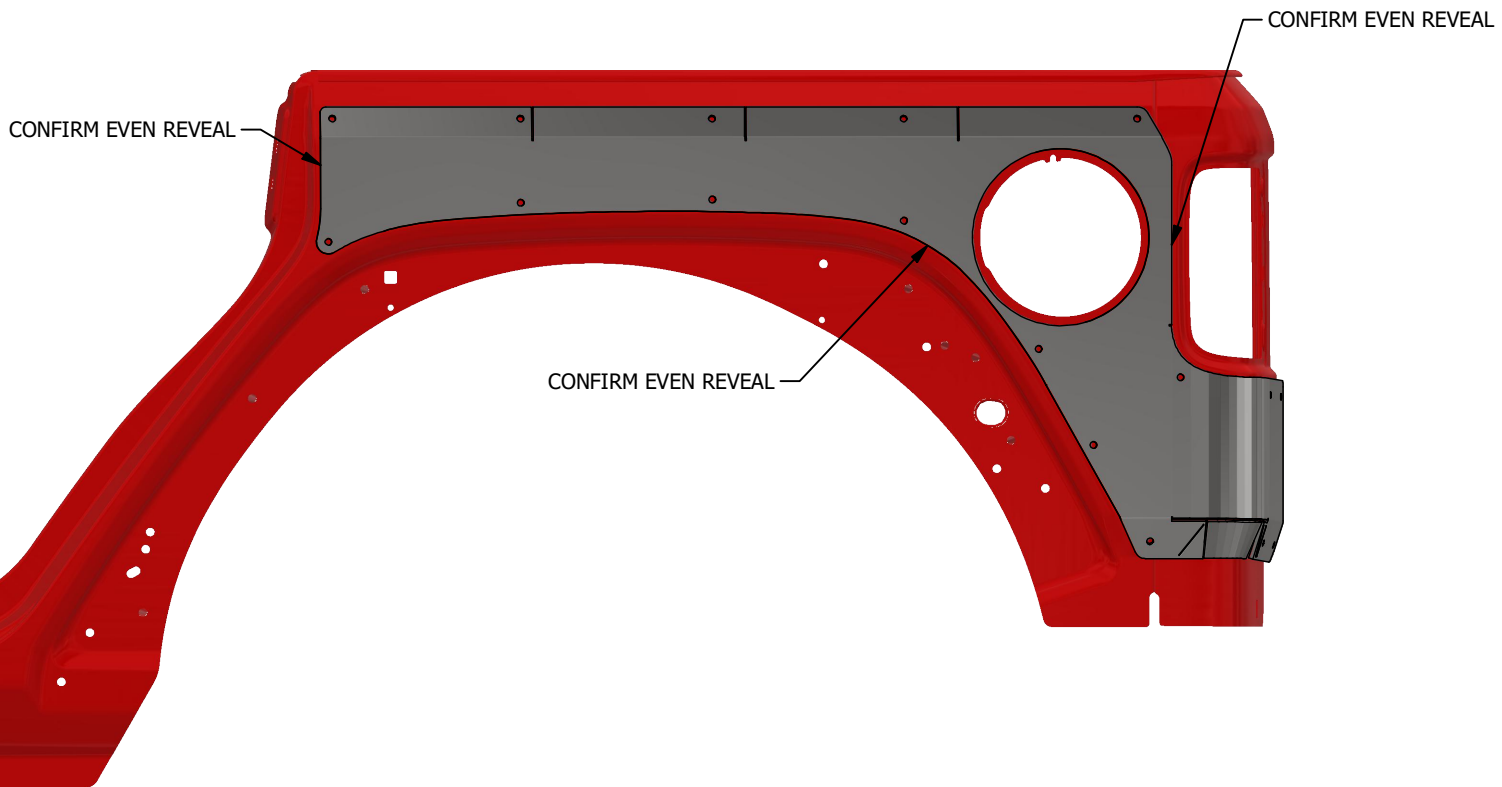
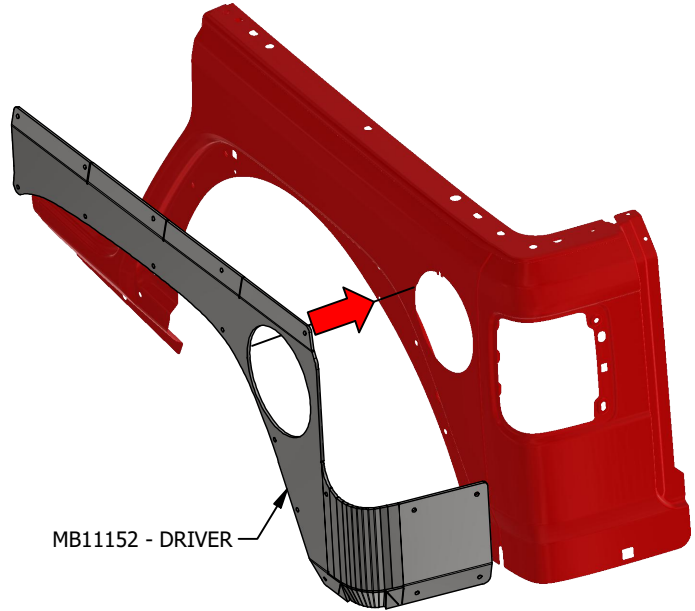


**RIVNUT**  
**1/4"-20**  
**Qty: 33**

**MB1152 - Assembly Instructions Rear Corner Armor - JLU**

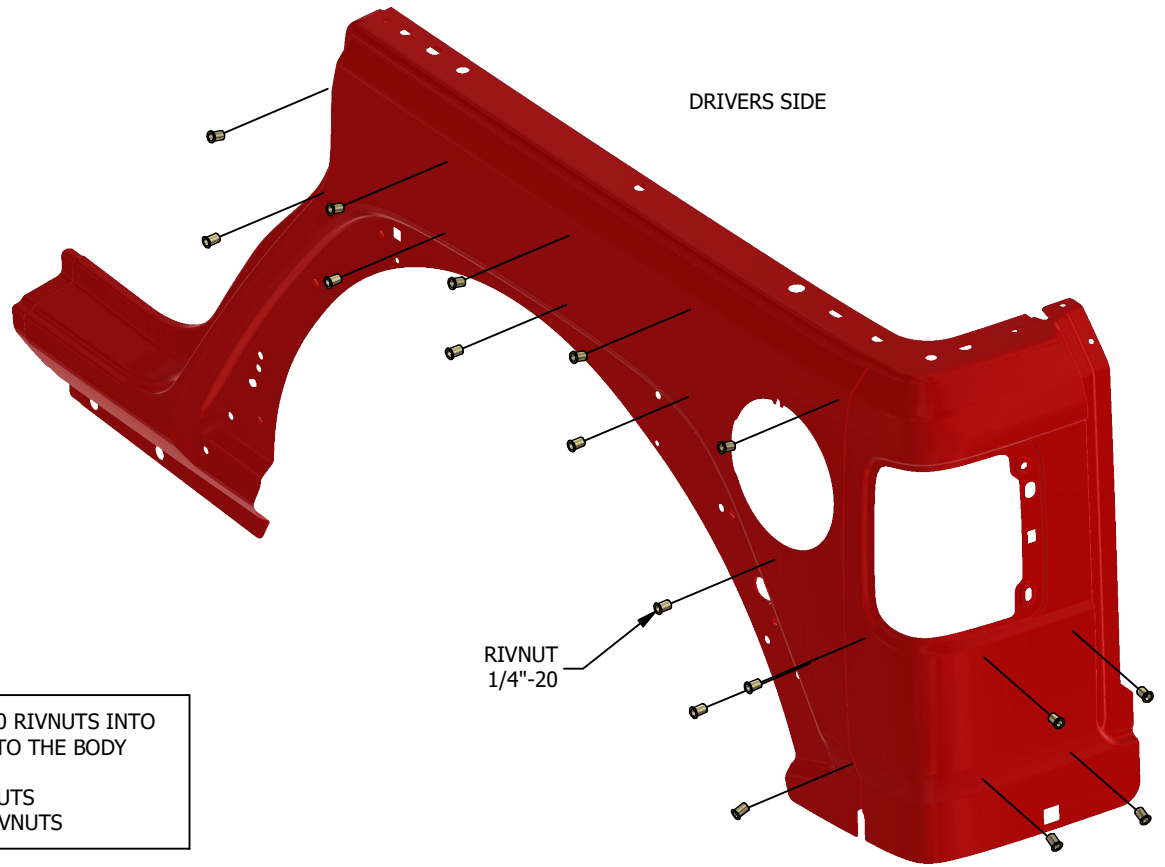
**FITMENT**

1. REMOVE THE TOP OF THE VEHICLE.
  2. UNCLIP AND REMOVE THE GAS FILL ASSEMBLY FROM THE VEHICLE.
  3. WE RECOMMEND USING PAINTERS TAPE TO PROTECT THE PAINT WHILE FITTING THE ARMOR TO THE BODY.
  4. PLACE THE ARMOR ON THE VEHICLE BODY AND CLAMP IT IN PLACE. CONFIRM THE REVEL AROUND THE ARMOR IS EVEN WITH THE VEHICLE BODY LINES. USE A RATCHET STRAP TO PULL THE ARMOR TO THE BODY AND CONFIRM THE ARMOR IS PRESSED UP EVENLY AGAINST THE BODY.
  5. MARK EACH HOLE ON THE BODY ARMOR. (SEVENTEEN (17) HOLES ON THE DRIVERS SIDE AND SIXTEEN (16) HOLES ON THE PASSENGER SIDE). USING A 19/64" DRILL BIT, DILL THE HOLES OUT FOR THE RIVNUT.
- REPEAT PROCESS ON PASSENGER SIDE



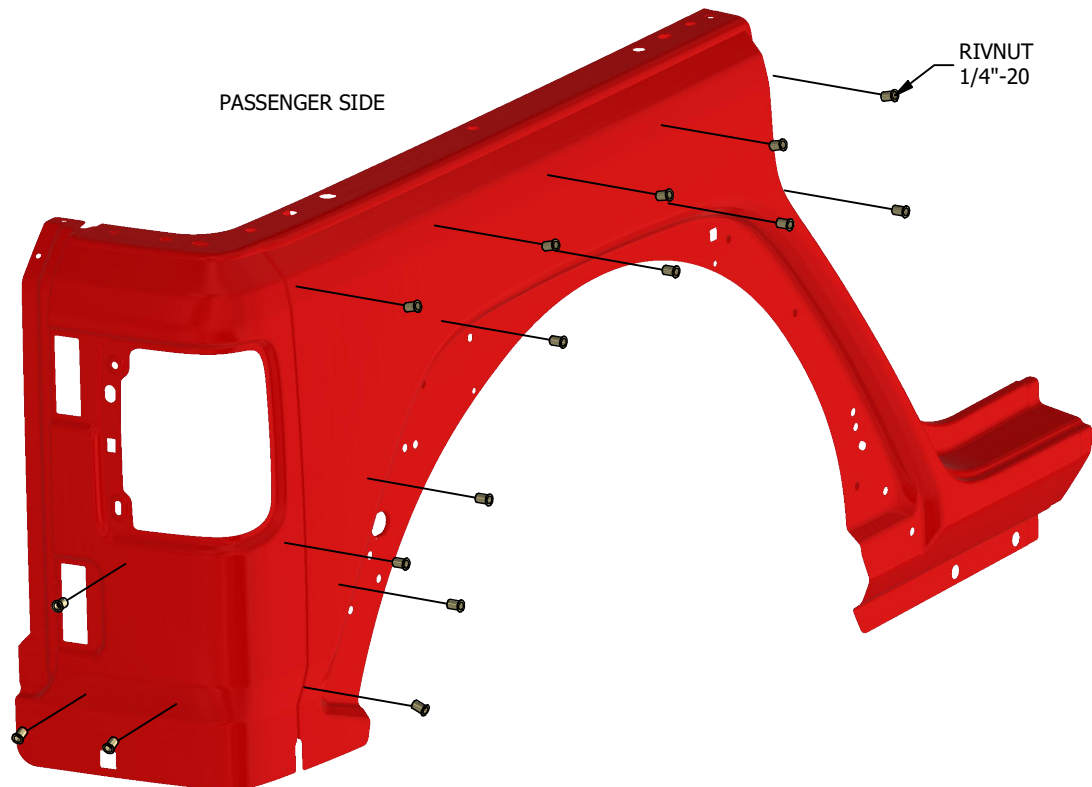
**MB1152 - Assembly Instructions Rear Corner Armor - JLU**

**RIVNUT INSTALLATION**



INSTALL THE (33) 1/4-20 RIVNUTS INTO THE HOLES DRILLED INTO THE BODY

DRIVERS SIDE: 17 RIVNUTS  
PASSENGER SIDE: 16 RIVNUTS



**MB1152 - Assembly Instructions Rear Corner Armor - JLU****FINAL INSTALL**

1. PAINT OR POWDER COAT ALL PARTS TO PROTECT FROM CORROSION
2. FASTEN THE BODY ARMOR TO THE BODY USING THE FLAT HEAD SOCKET CAP SCREWS INTO THE RIVNUTS

THE BODY ARMOR MAY NEED TO BE CLAMPED BACK TO THE BODY TO LINE UP THE BODY ARMOR HOLES TO THE RIVNUTS.

