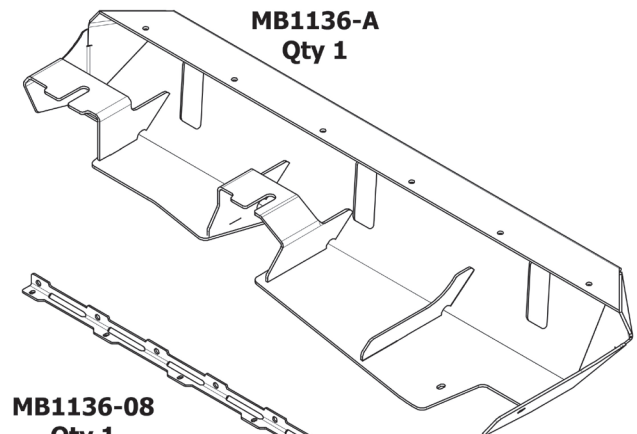


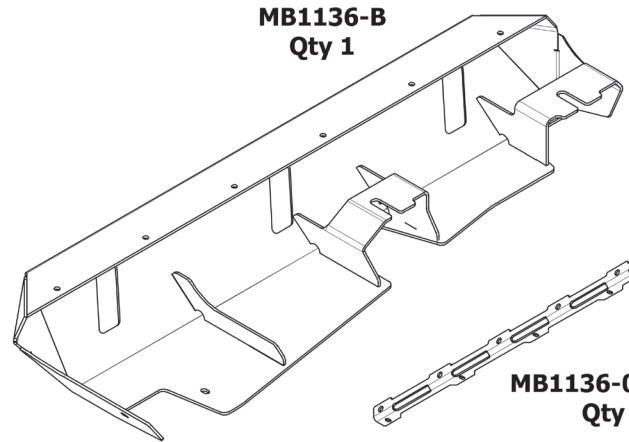
MB1136 TJ Rocker Steps

DRIVER SIDE

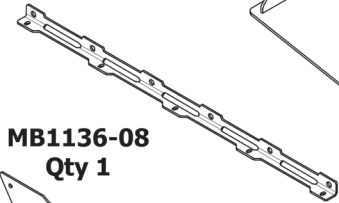
PASSENGER SIDE



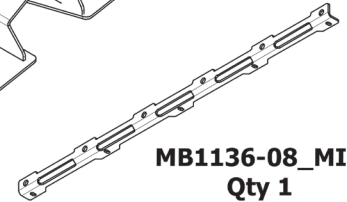
MB1136-A
Qty 1



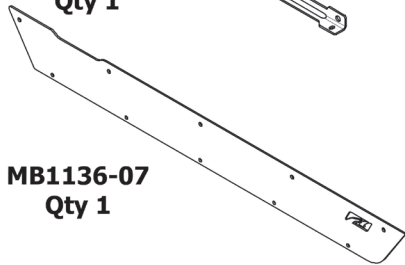
MB1136-B
Qty 1



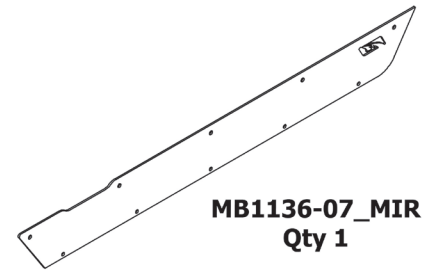
MB1136-08
Qty 1



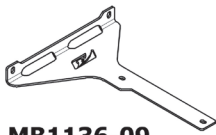
MB1136-08_MIR
Qty 1



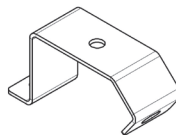
MB1136-07
Qty 1



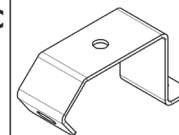
MB1136-07_MIR
Qty 1



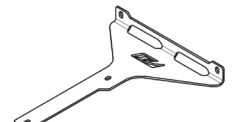
MB1136-09
Qty 1



MB1136-06
Qty 1



MB1136-06_MIR
Qty 1



MB1136-09_MIR
Qty 1

MB1136-12 Qty 2	FLATHEAD SOCKET CAP SCREW STAINLESS 3/8"-16 x 1" UNC Qty 22
BARREL NUT 3/8"-16 Qty 16	FLAT WASHER 3/8" STAINLESS Qty 16
NYLOCK HEX NUT 3/8"-16 UNC GR8 Qty 16	RIVNUT 3/8"-16 UNC Qty 4
HEX BOLT ZINC PLATED 3/8"-16 x 1 GR8 Qty 14	

MB1136 TJ Rocker Steps

- 1** Using MB1136-07 as a template for drilling, clamp MB1136-07 to the jeep tub and align the bottom edge of MB1136-07 with the bottom edge of the Jeep tub.



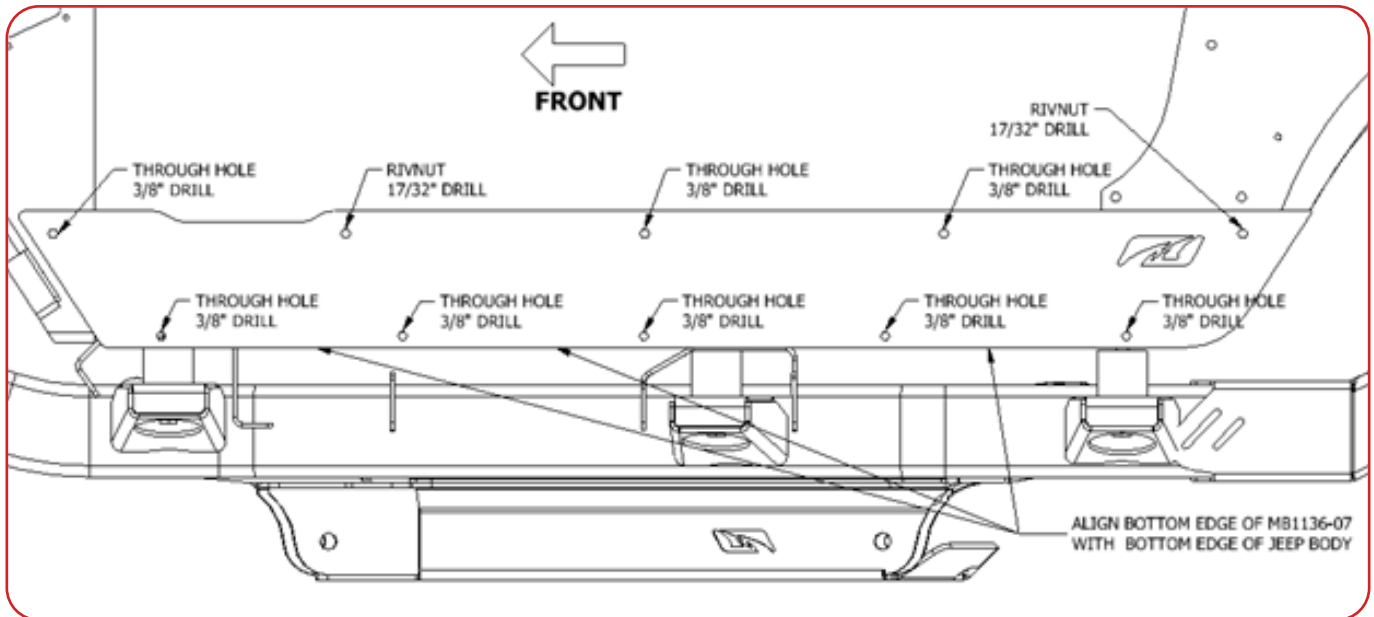
- 2** Mark the ten holes and remove MB1136-07.



- 3** For holes that will be through bolted, use a 3/8" drill and for holes that will be receiving rivnuts, use a 17/32" drill.

(See annotated drawing on the next page for the location of the rivnuts and bolted holes.)



MB1136 TJ Rocker Steps

4 Install two 3/8" rivnuts on each side in the appropriate holes.

5 Paint or protect any exposed metal once the drilling is completed

6 Mount MB1136-07 to the Jeep body by installing the two 3/8"-16 x 1" flat head socket cap screws into the rivnuts.



MB1136 TJ Rocker Steps

- 7** Install MB1136-09 by first removing the front two seat bracket bolts. Slide MB1136-09 between the seat bracket and jeep floor. Re-install the two bolts into the seat bracket.

- 8** Install two 3/8"-16 x 1" flat head socket cap screws through MB1136-07 and fasten to MB1136-09 with two 3/8"-16 nylock nuts and 3/8" flat washers.



- 8** Attach the remaining top row hardware on MB1136-07 using 3/8"-16 x 1" flathead socket cap screws and 3/8"-16 Nylock nut and 3/8" flat washer.



MB1136 TJ Rocker Steps

- 10** Mount MB1136-08 to MB1136-07 using five 3/8"-16 x 1" hex bolts, 3/8"-16 Nylock nuts, and 3/8" flat washers.



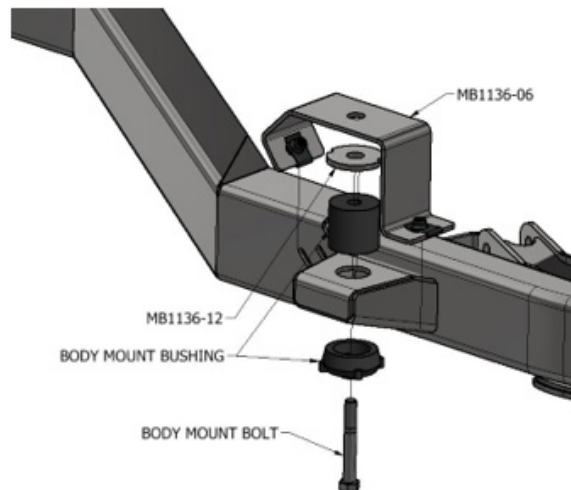
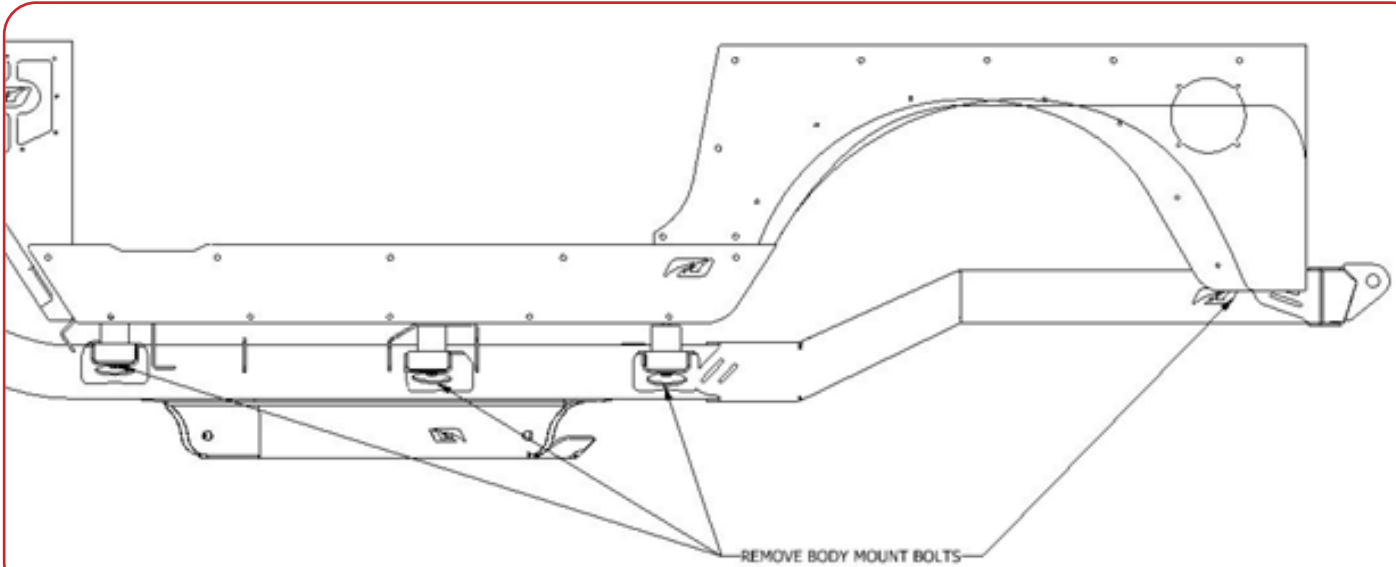
- 11** Install six 3/8"-16 Barrel nuts on the six holes of MB1136-08

- 12** Install two 3/8"-16 barrel nuts on MB1136-06



MB1136 TJ Rocker Steps

- 13** Mount MB1136-08 to MB1136-07 using five 3/8"-16 x 1" hex bolts, 3/8"-16 Nylock nuts, and 3/8" flat washers.
- 14** Lift the body off the body mounts approximately 1/2" to allow for MB1136-06 and MB1136-A to be installed in between the rubber body mount and jeep body.



- 15** Install MB1136-12 then MB1136-06 between the jeep body and rubber body mount. Thread in the body mount bolt, but do not fully tighten.

MB1136 TJ Rocker Steps

- 16** Starting from the rear body mount and then moving forward, slide MB1136-A in between the rubber body mount and body.



- 17** Loosely fasten MB1136-A to MB1136-08 with six (6) 3/8"-18 x 1" flathead socket cap screws into the barrel screws installed earlier on MB1136-08.

MB1136 TJ Rocker Steps

18 With MB1136-A in place install the two middle body mount bolts and loosely thread into place to locate MB1136-A

19 Lower the body so its resting on the body mounts



20 Fasten the front of MB1136-A to MB1136-06 with two 3/8"-16 x 1" hex bolts into the barrel screws installed on MB1136-06

21 Fully tighten 3/8"-16 x 1" flathead socket cap screws fastening MB1136-A to MB1136-08 from step 17

22 Now fully tighten all four body mounts.

23 Repeat steps for opposite side.

MB1136 TJ Rocker Steps

