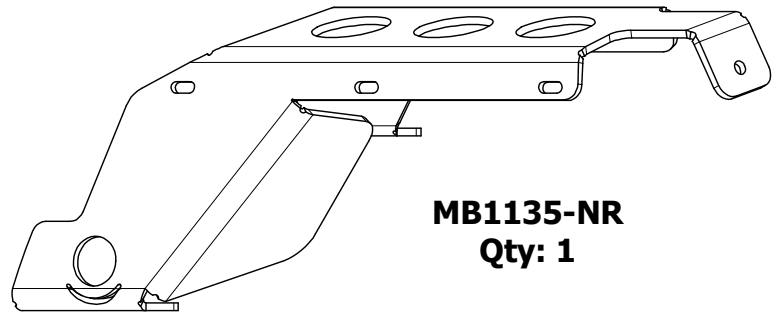
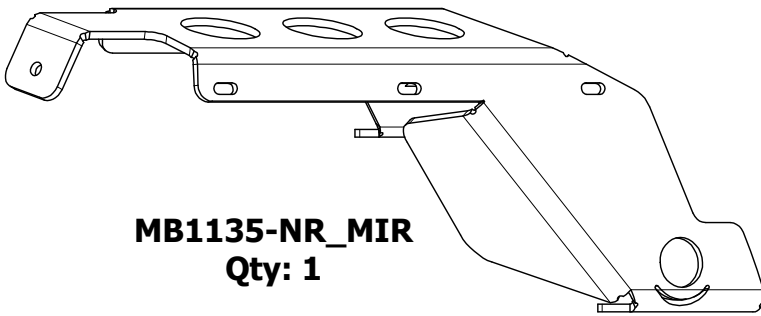
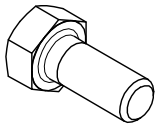
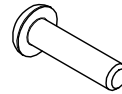


FRONT FLARE SUPPORT BRACKET



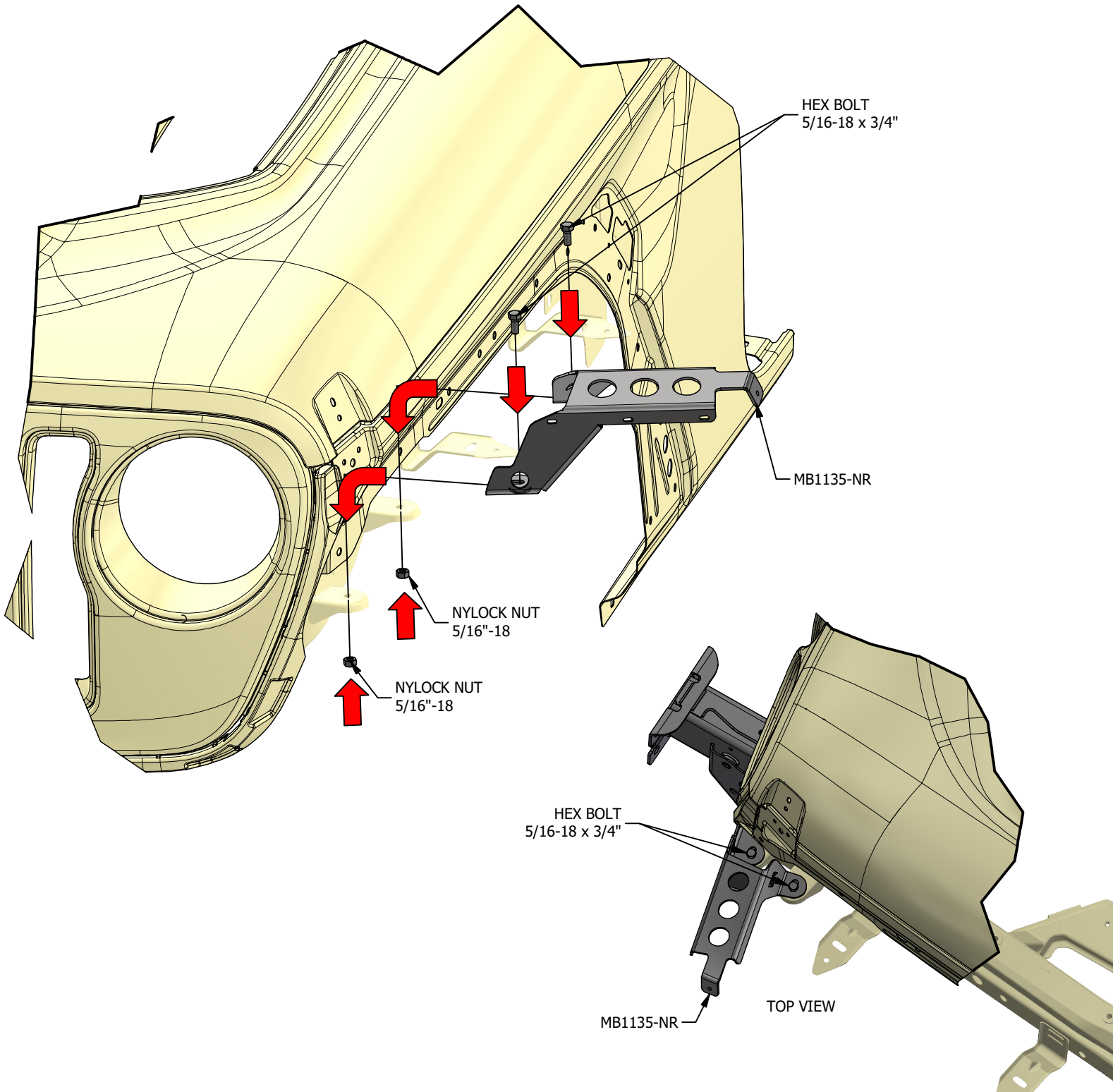
INSTALLATION INSTRUCTIONS

MB1135-NR - Assembly Instructions Front Flare Support Bracket**KIT COMPONENTS****MB1135-NR**
Qty: 1**MB1135-NR_MIR**
Qty: 1**HEX BOLT**
5/16"-18 UNC x 3/4"
Qty 4**NYLOCK NUT**
5/16"-18 UNC
Qty 4**HEX BUTTON SCREW**
#10-24 UNC x 3/4"
Qty 2**NYLCOK NUT**
#10-24 UNC
Qty 2

MB1135-NR - Assembly Instructions Front Flare Support Bracket

MOUNTING

SEPARATE THE INNER AND OUTER FENDER FLARE AND DISCARD THE INNER FENDER FLARE.



MB1135-NR - Assembly Instructions Front Flare Support Bracket**MOUNTING**