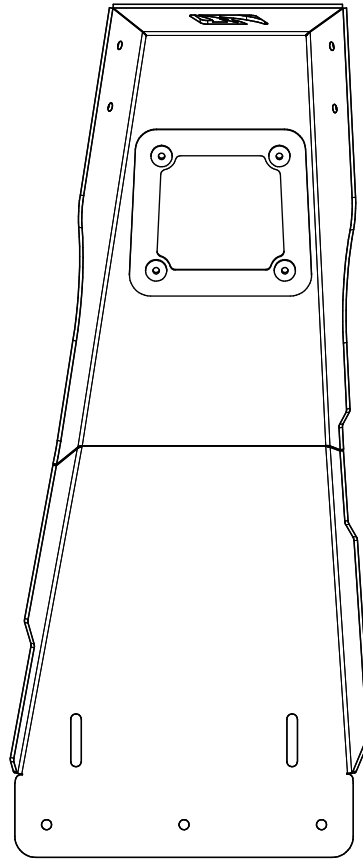
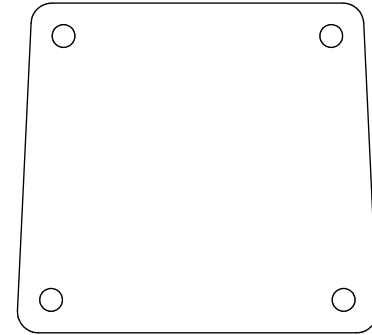


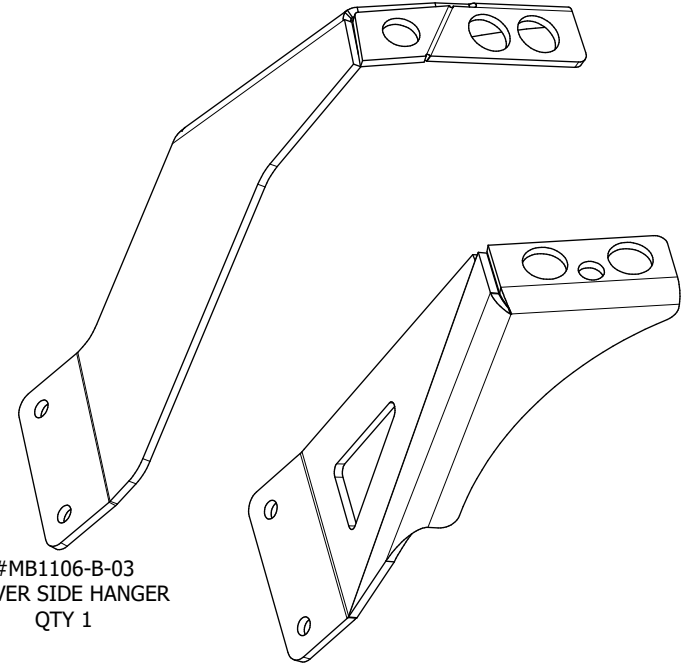
#MB1106-A
TRANSMISSION SKID
QTY 1



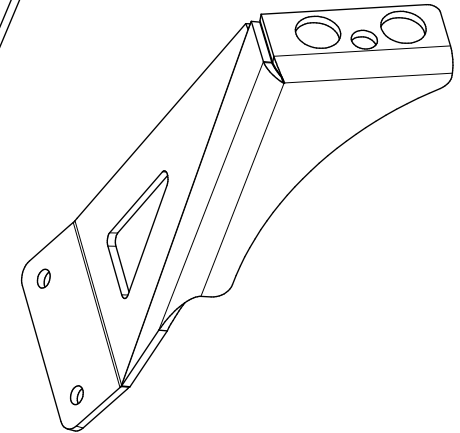
#MB1106-B
ENGINE SKID
QTY 1



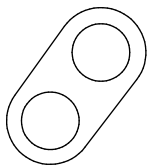
#MB1106-B-01
OIL PAN ACCESS HATCH
QTY 1



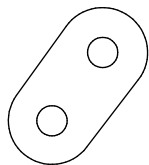
#MB1106-B-03
DRIVER SIDE HANGER
QTY 1



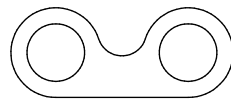
#MB1106-B-04
PASSENGER SIDE HANGER
QTY 1



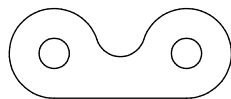
#MB1106-B-05
DRIVER SIDE SPACER
QTY 1



#MB1106-B-07
DRIVER SIDE SPACER
QTY 1



#MB1106-B-06
PASSENGER SIDE SPACER
QTY 1



#MB1106-B-08
PASSENGER SIDE SPACER
QTY 1



Dwg/Part No:

MB1106 - Customer

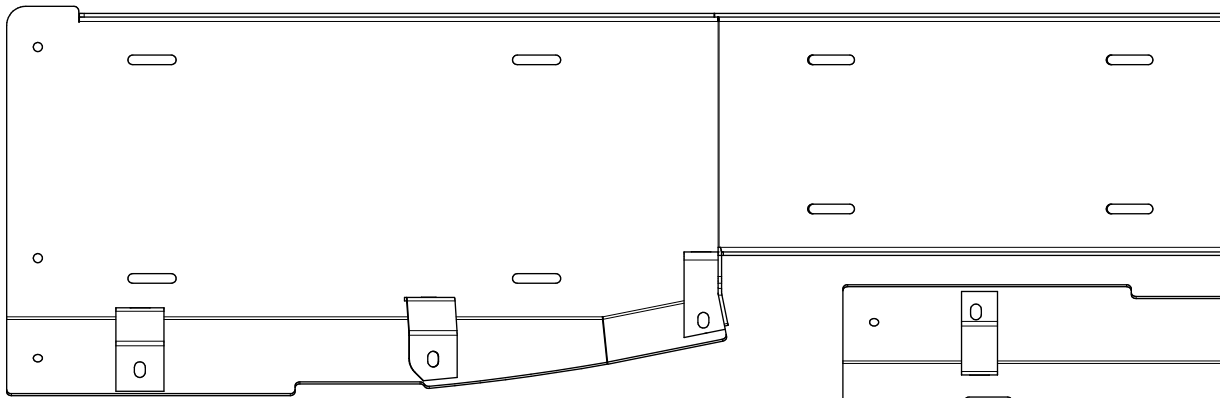
Description:

Jeep JT Gladiator Skid System

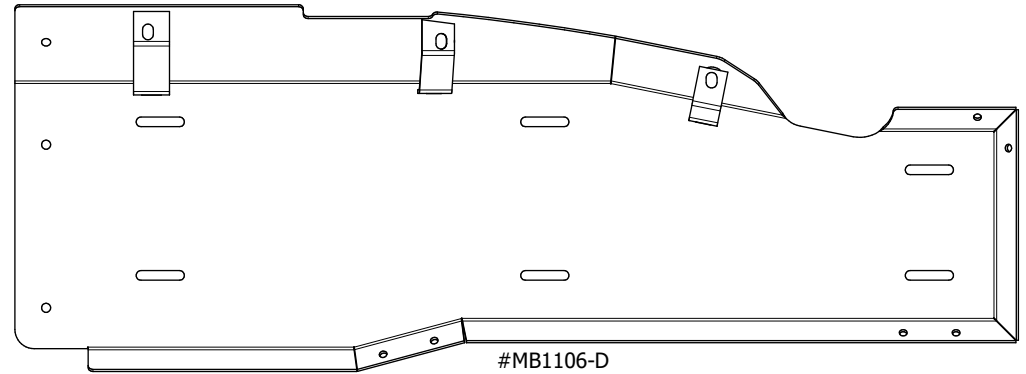
Sheet No: **1** of **3**

Rev No: **0**

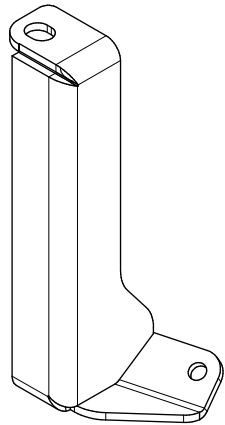
Mat'l: **3/16" Steel**



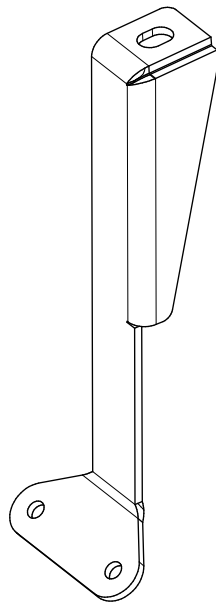
#MB1106-C
EXHAUST SKID
QTY 1



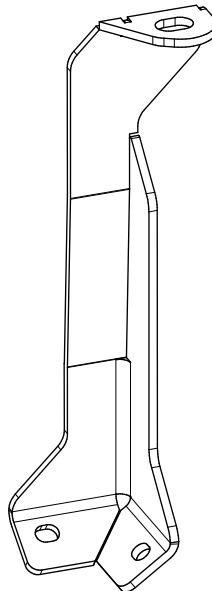
#MB1106-D
FUEL TANK SKID
QTY 1



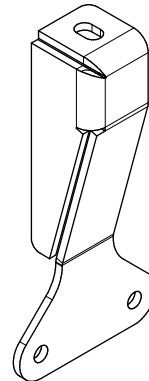
#MB1106-D-05
HANGER
QTY 1



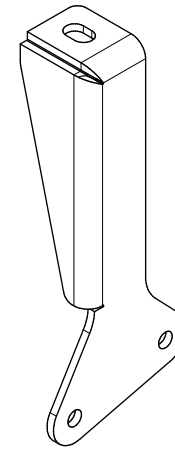
#MB1106-D-06
HANGER
QTY 1



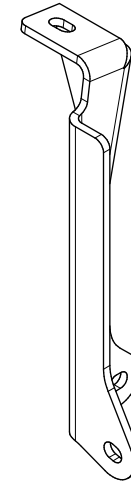
#MB1106-D-07
HANGER
QTY 1



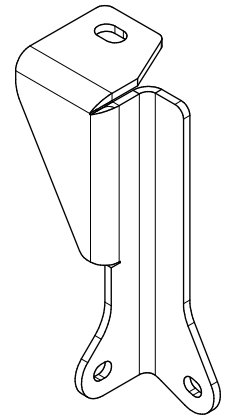
#MB1106-C-05
HANGER
QTY 1



#MB1106-C-06
HANGER
QTY 1



#MB1106-C-07
HANGER
QTY 1



#MB1106-C-08
HANGER
QTY 1



Dwg/Part No:

MB1106 - Customer

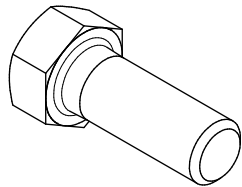
Description:

Jeep JT Gladiator Skid System

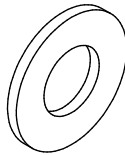
Sheet No: **2** of **3**

Rev No: **0**

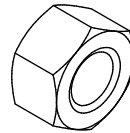
Mat'l: **3/16" Steel**



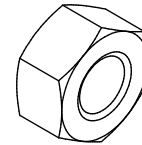
HEX BOLT
3/8"-16 x 1"
QTY 18



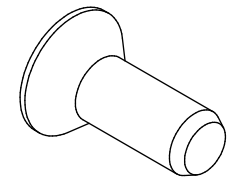
FLAT WASHER
3/8"
QTY 18



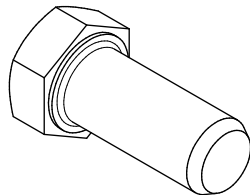
NYLOCK NUT
3/8"-16
QTY 18



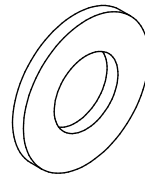
NYLOCK NUT
M10 x 1.5
QTY 4



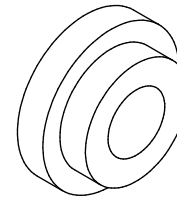
FLAT HEAD SOCKET CAP SCREW
3/8"-16 x 1"
QTY 13



HEX BOLT
7/16"-14 x 1"
QTY 3



FLAT WASHER
7/16"
QTY 3



WELD NUT
7/16"
QTY 4



Dwg/Part No:

MB1106 - Customer

Description:

Jeep JT Gladiator Skid SystemSheet No: **3** of **3**Rev No: **0**Mat'l: **3/16" Steel**