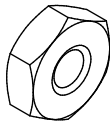
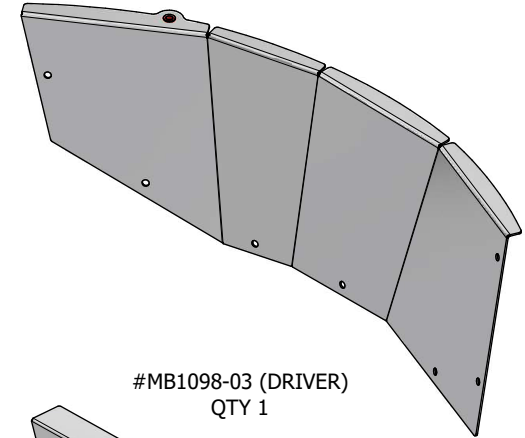
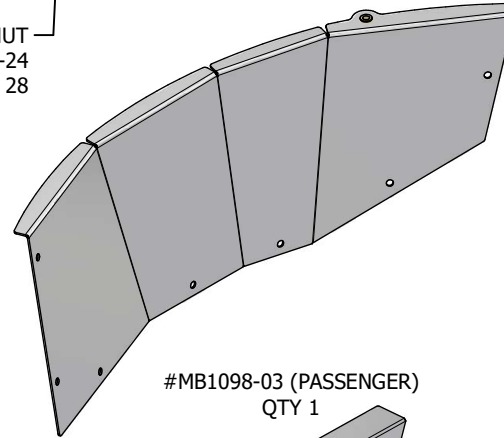
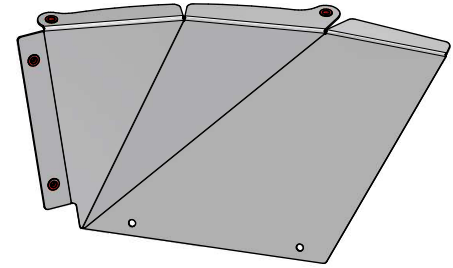
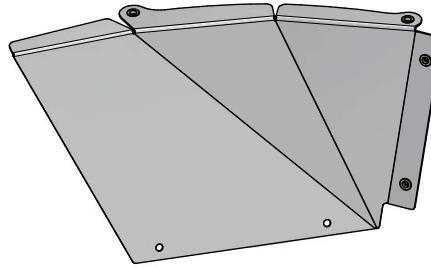
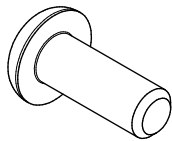


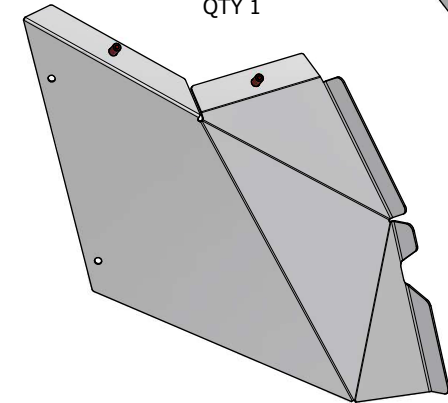
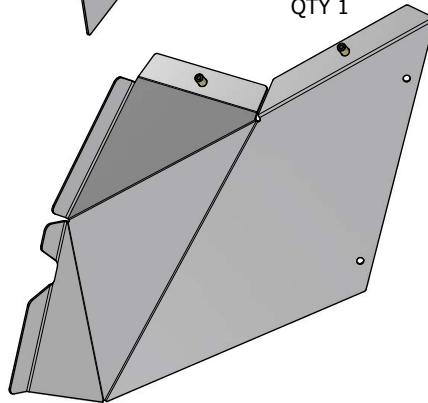
PRE-INSTALLED RIVNUT
#10-24
QTY 28



NYLOCK HEX NUT ZINC
#10-24 UNC
QTY 6



BUTTON HEAD SOCKET CAP SCREW STAINLESS
#10-24 x 1/2" SCREW
QTY 34



Dwg/Part No:
MB1098 - Customer
Description:
Jeep JL Rear Inner Fender

Sheet No: **1** of **1**
Rev No: **0**

Mat'l: