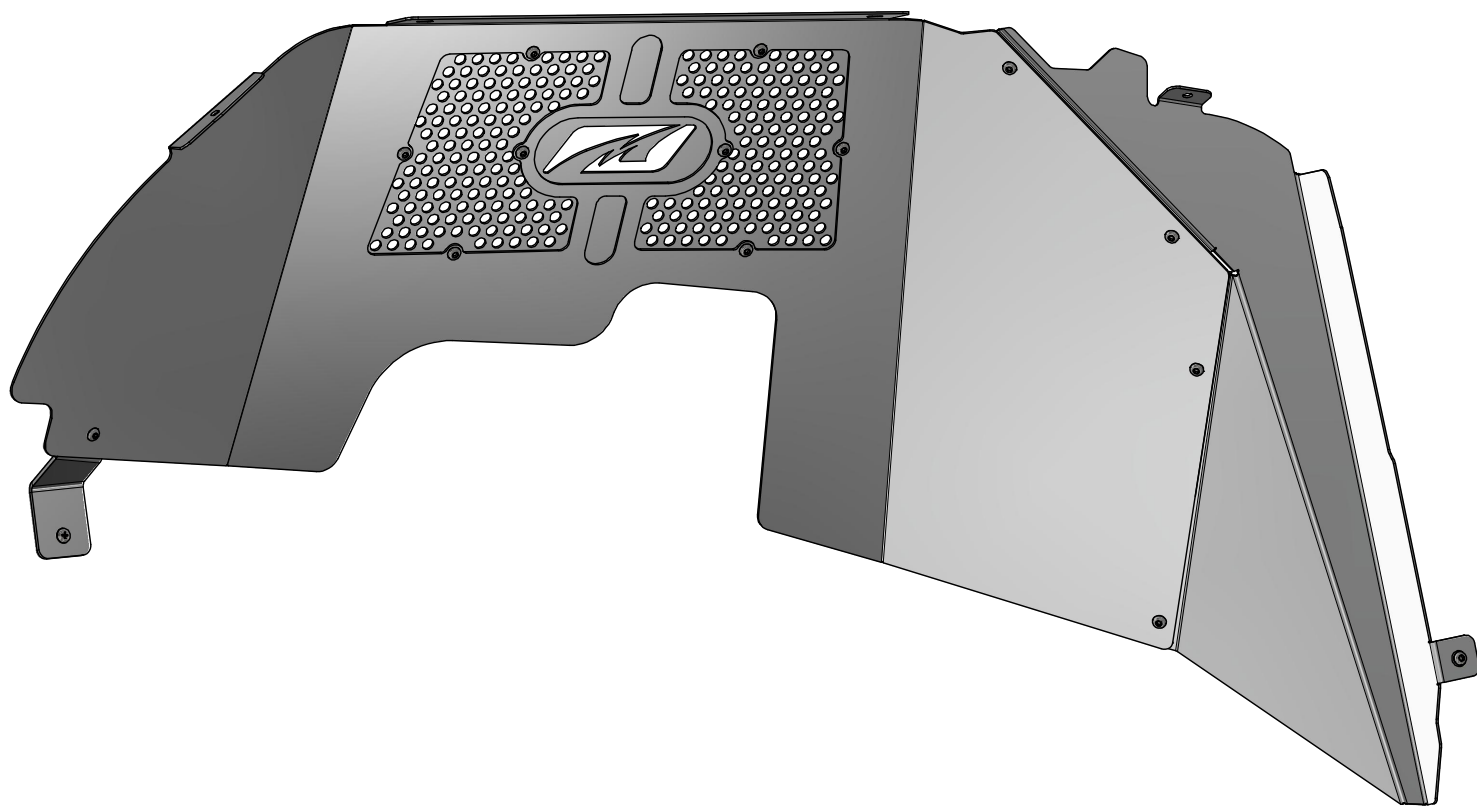


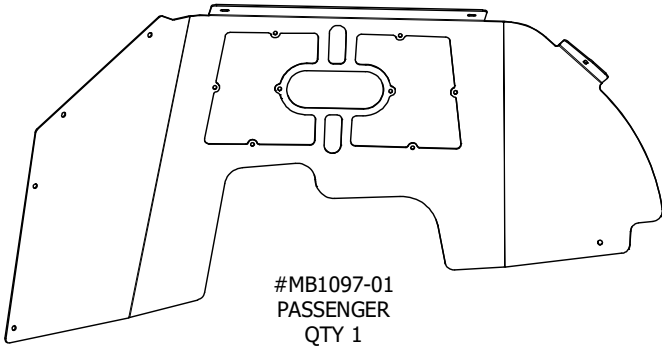
FRONT ALUMINUM INNER FENDERS



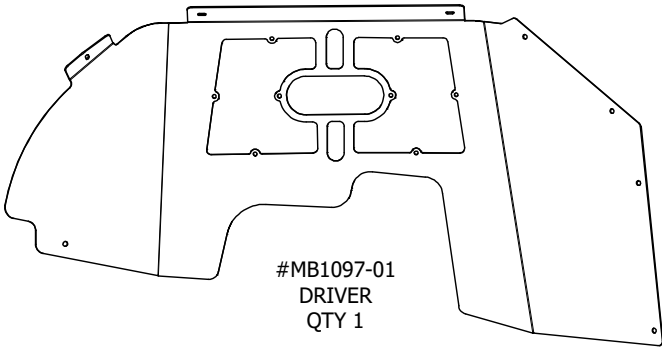
INSTALLATION INSTRUCTIONS

MB1097 - Assembly Instructions Front Aluminum Inner Fenders - JL/JLU/JT

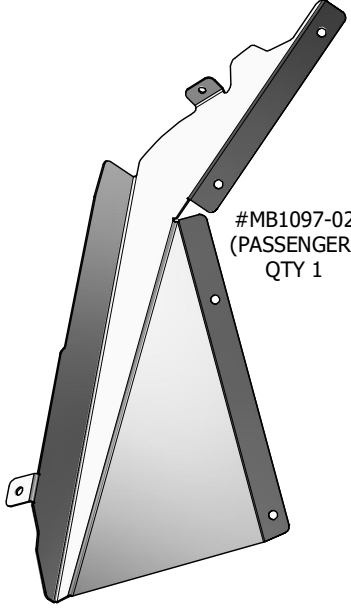
KIT COMPONENTS



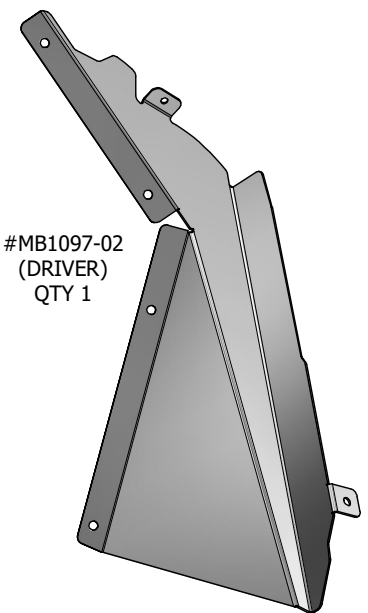
#MB1097-01
PASSENGER
QTY 1



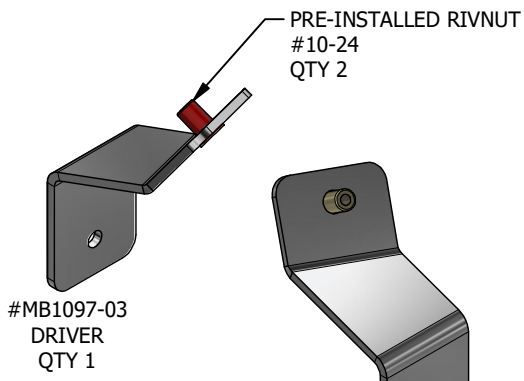
#MB1097-01
DRIVER
QTY 1



#MB1097-02
(PASSENGER)
QTY 1

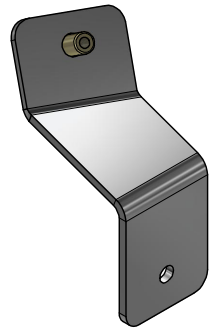


#MB1097-02
(DRIVER)
QTY 1

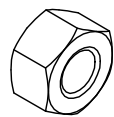


PRE-INSTALLED RIVNUT
#10-24
QTY 2

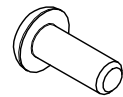
#MB1097-03
DRIVER
QTY 1



#MB1097-03
PASSENGER
QTY 1



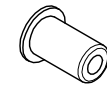
NYLOCK HEX NUT ZINC
#10-24
QTY 16



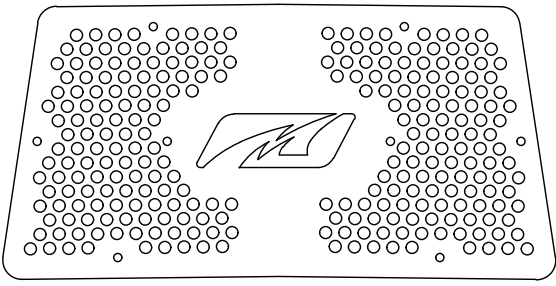
BUTTON HEAD SOCKET CAP SCREW STAINLESS
#10-24 x 1/2"
QTY 36



#10 WASHER HEAD
SELF TAPPING SCREW
QTY 2



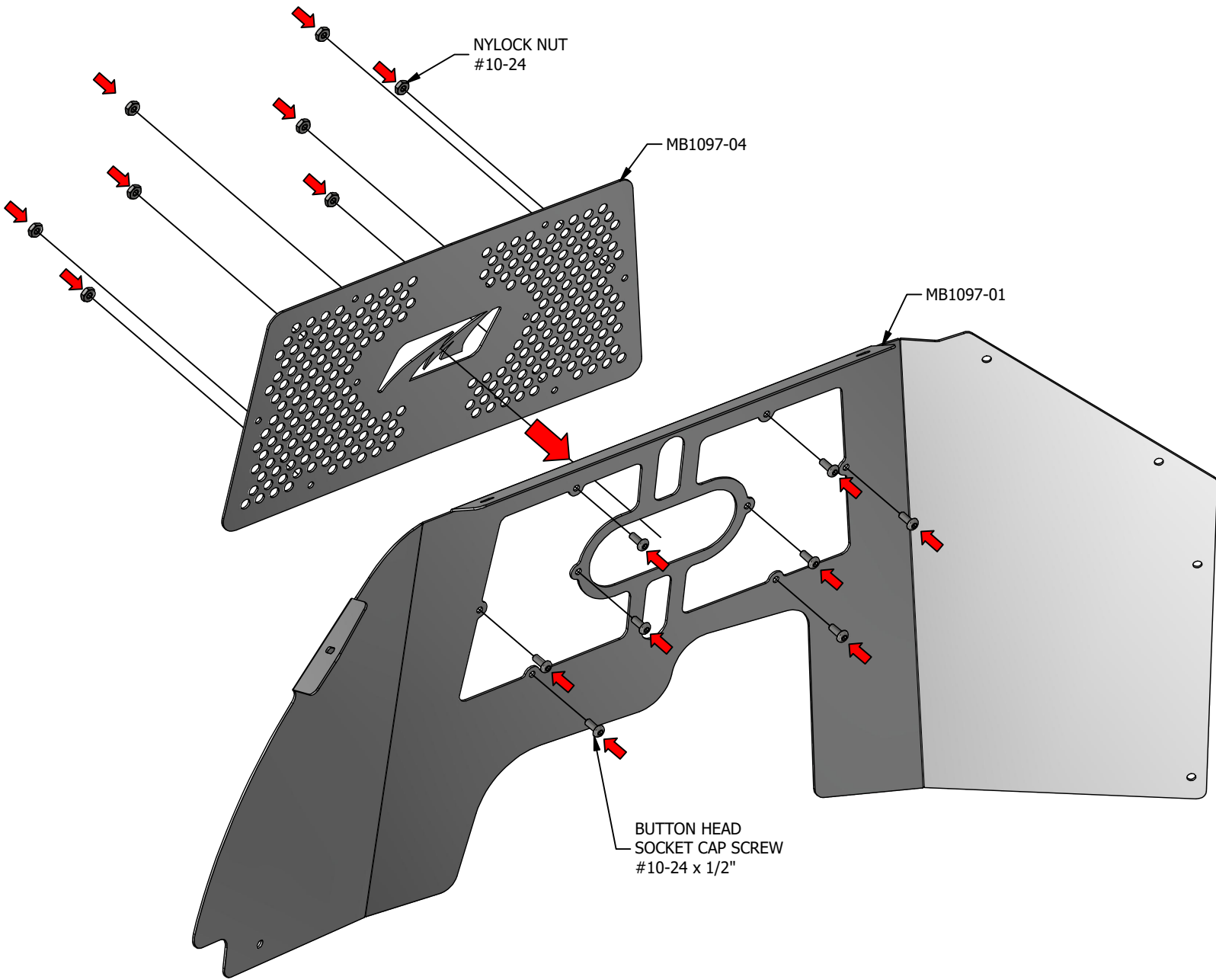
#10-24 RIVNUT
QTY 8



#MB1097-04
QTY 2

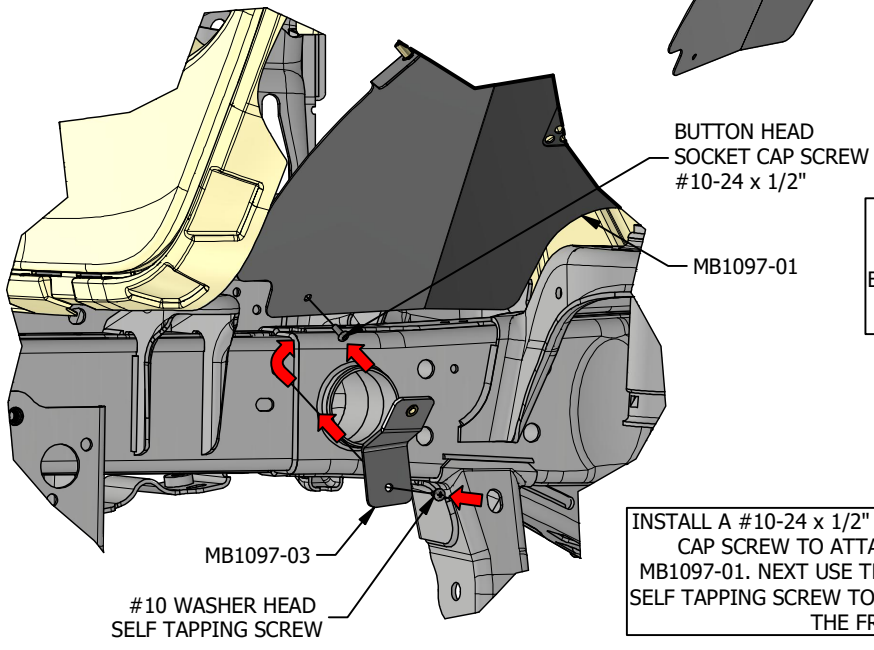
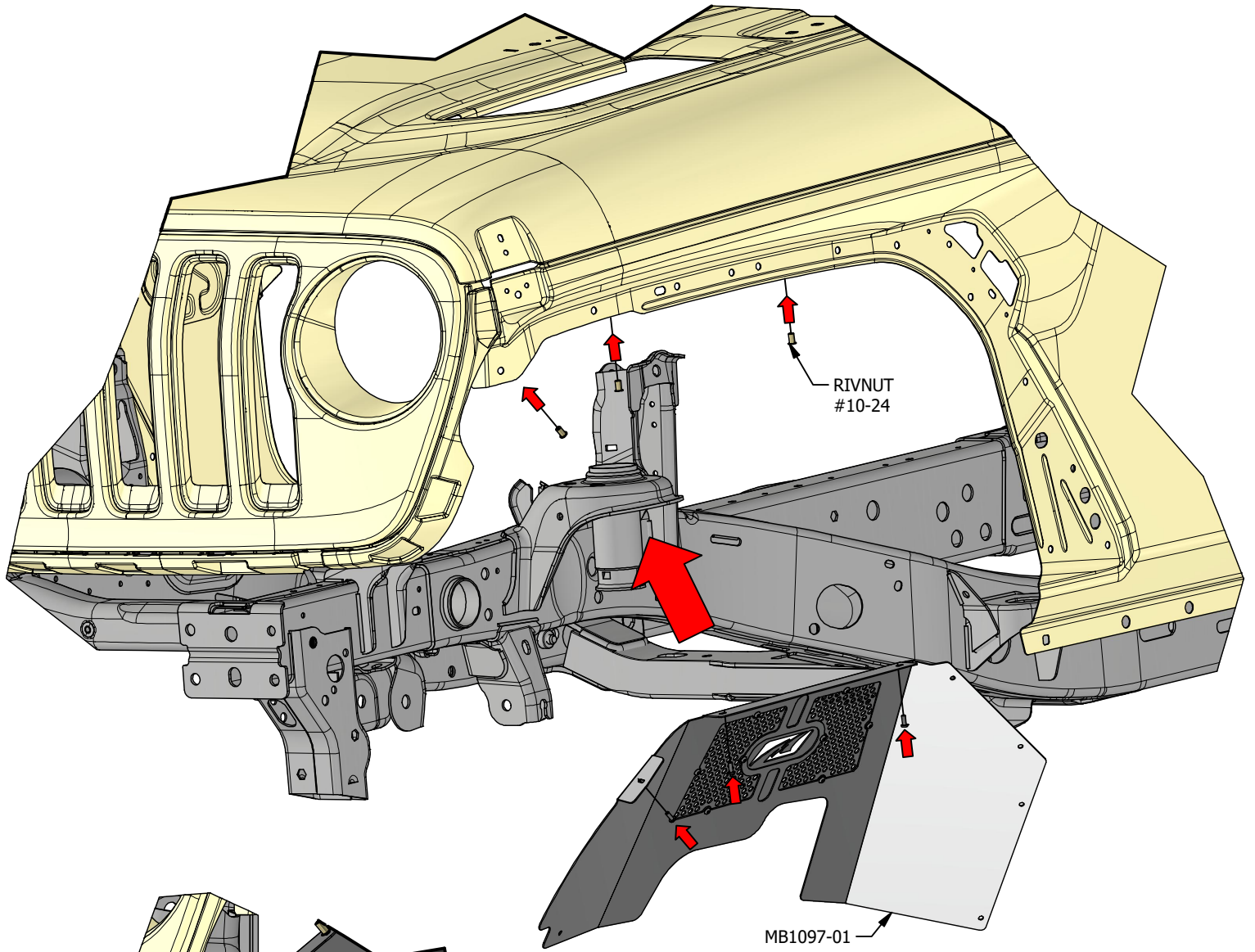
MB1097 - Assembly Instructions Front Aluminum Inner Fenders - JL/JLU/JT

FENDER ASSEMBLY



MB1097 - Assembly Instructions Front Aluminum Inner Fenders - JL/JLU/JT

INNER FENDER INSTALLATION



MARK THE THREE LOCATIONS WHERE THE RIVNUTS WILL BE INSTALLED ON THE JEEP FENDER STRUCTURE. USING A 19/64" DRILL BIT, DRILL THE MARKED HOLE LOCATIONS AND INSTALL THE RIVNUTS INTO THE HOLES. THEN INSTALL THE MB1097-01 INNER FENDER.

INSTALL A #10-24 x 1/2" BUTTON HEAD SOCKET CAP SCREW TO ATTACH MB1097-03 TO MB1097-01. NEXT USE THE #10 WASHER HEAD SELF TAPPING SCREW TO FASTEN MB1097-03 TO THE FRAME

MB1097 - Assembly Instructions Front Aluminum Inner Fenders - JL/JLU/JT**FENDER INSTALLATION**

LOCATE THE INNER FENDER PLATE MB1097-02 BY FASTENING IT TO MB1097-01 AND THE JEEP BODY. MARK THE LOCATION WHERE THE RIVNUT WILL BE INSTALLED ON THE JEEP FENDER STRUCTURE. USING A 19/64" DRILL BIT, DRILL THE MARKED HOLE LOCATION AND INSTALL A RIVNUT INTO THE HOLE.

