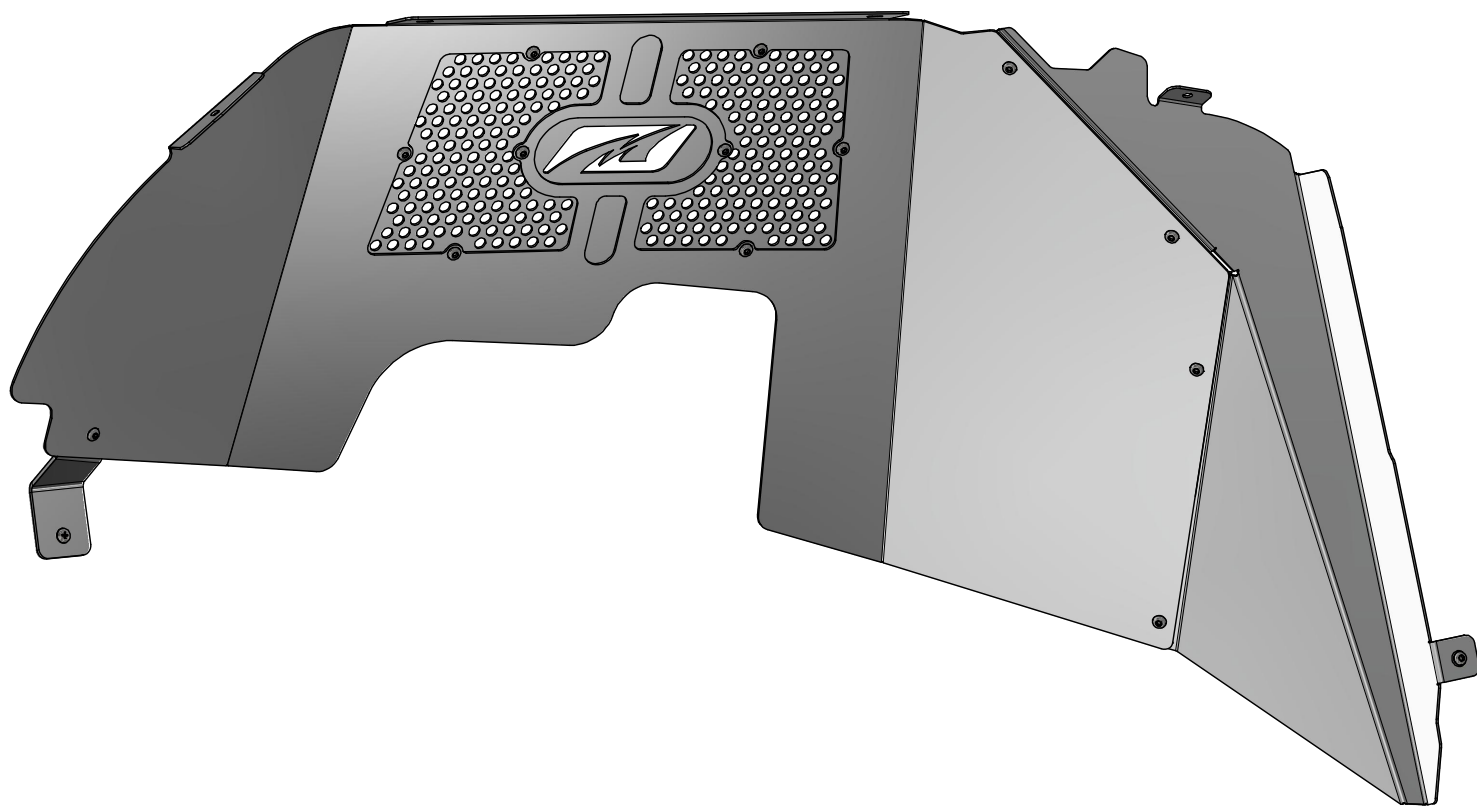


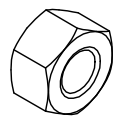
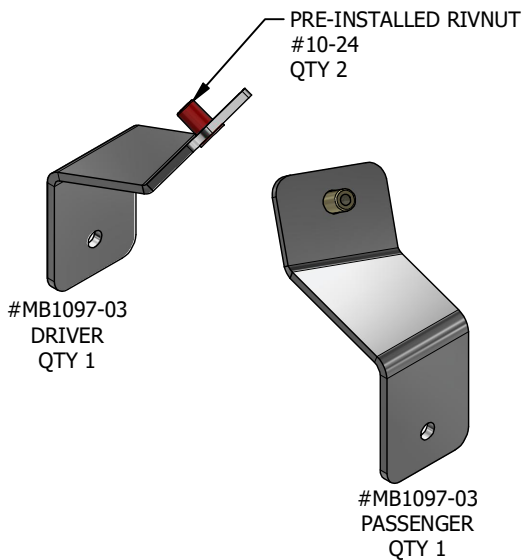
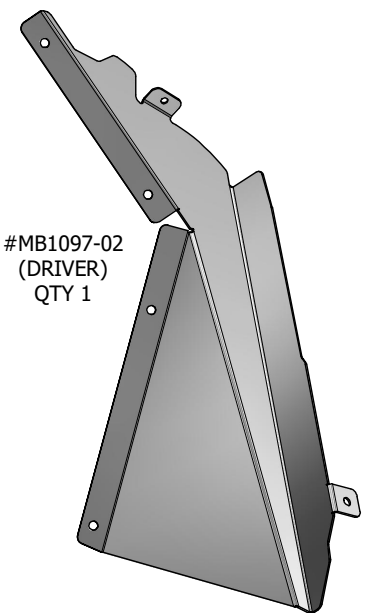
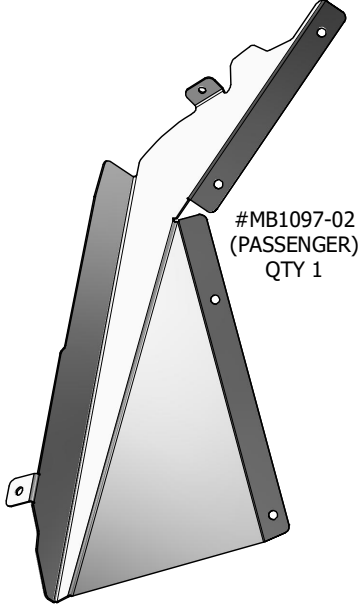
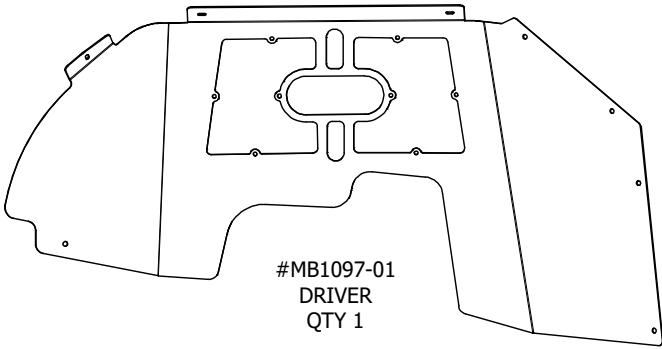
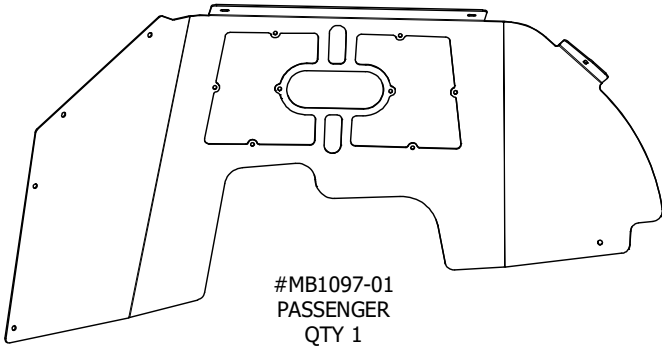
FRONT ALUMINUM INNER FENDERS



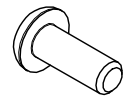
INSTALLATION INSTRUCTIONS

MB1097 - Assembly Instructions Front Aluminum Inner Fenders - JL/JLU/JT

KIT COMPONENTS



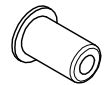
NYLOCK HEX NUT ZINC
#10-24
QTY 16



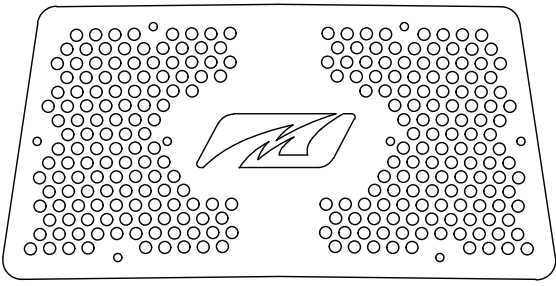
BUTTON HEAD SOCKET CAP SCREW STAINLESS
#10-24 x 1/2"
QTY 36



#10 WASHER HEAD
SELF TAPPING SCREW
QTY 2

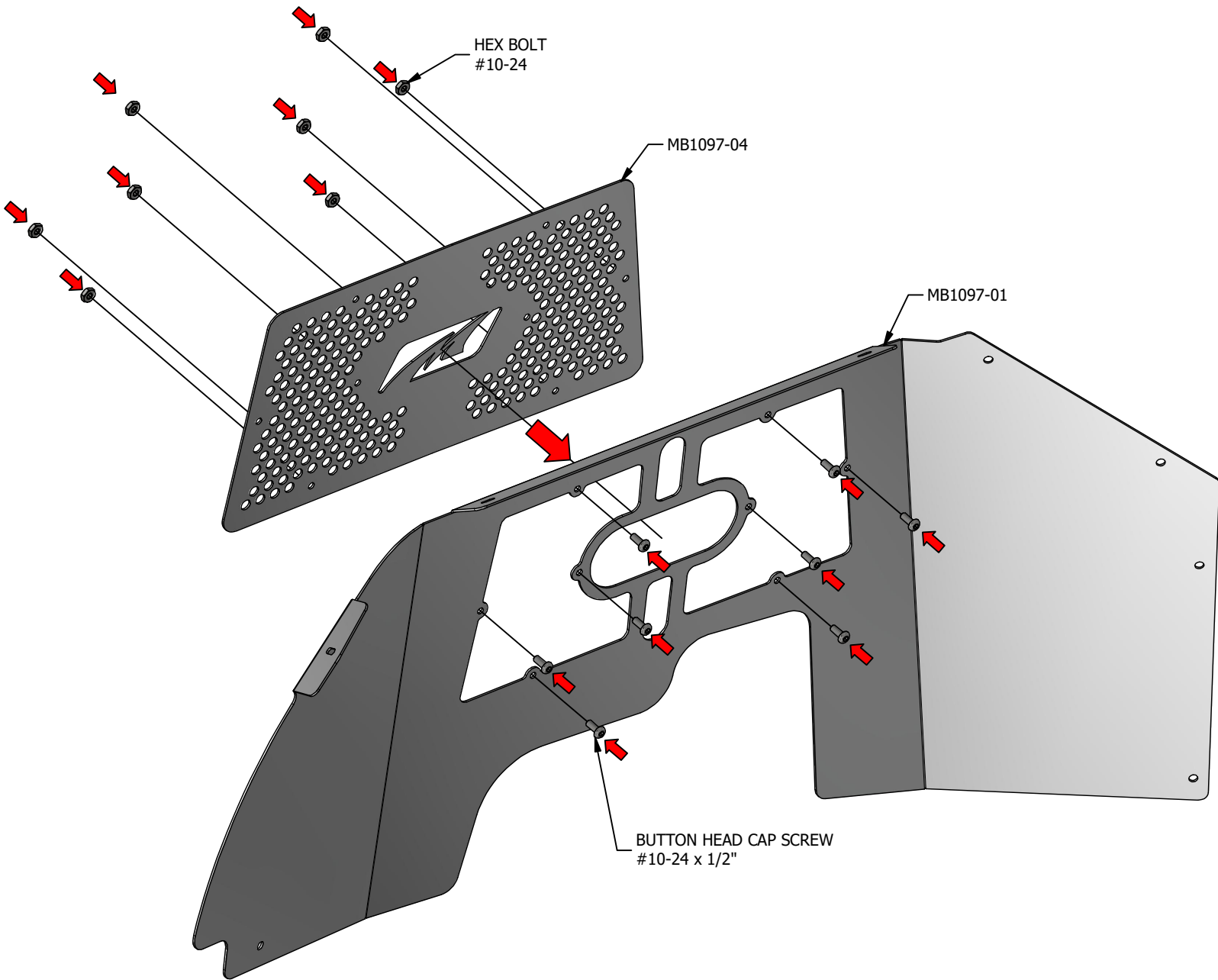


#10-24 RIVNUT
QTY 8



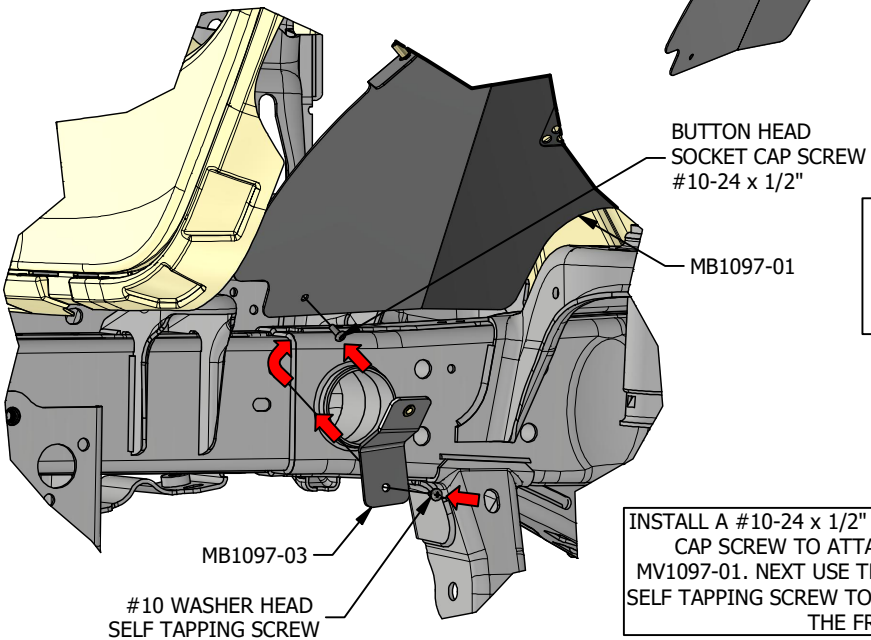
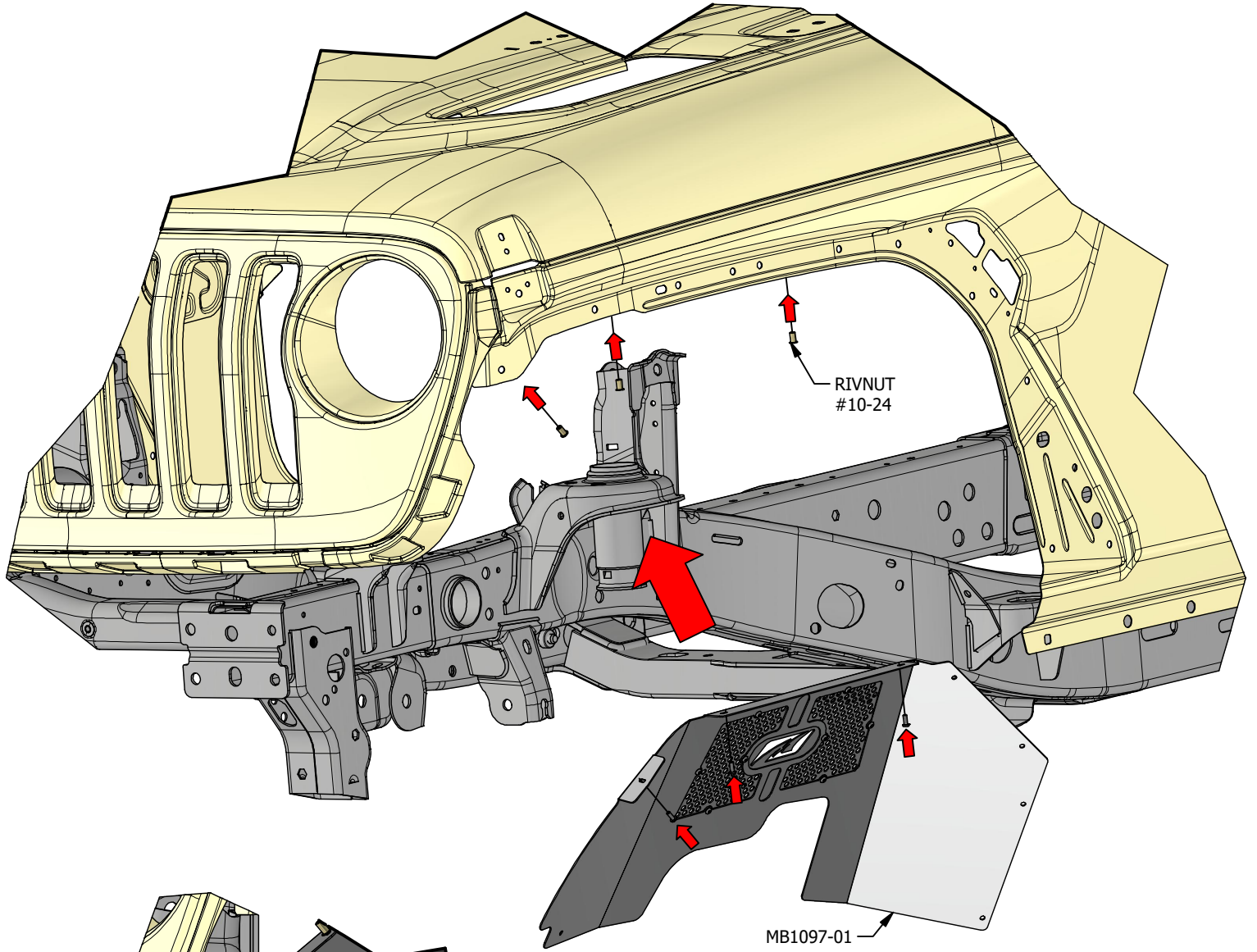
MB1097 - Assembly Instructions Front Aluminum Inner Fenders - JL/JLU/JT

FENDER ASSEMBLY



MB1097 - Assembly Instructions Front Aluminum Inner Fenders - JL/JLU/JT

INNER FENDER INSTALLATION



MARK THE THREE LOCATIONS WHERE THE RIVNUTS WILL BE INSTALLED ON THE JEEP FENDER STRUCTURE. USING A 19/64\" DRILL BIT, DRILL THE MARKED HOLE LOCATIONS AND INSTALL A RIVNUTS INTO THE HOLE. THEN INSTALL THE MB1097-01 INNER FENDER.

INSTALL A #10-24 x 1/2\" BUTTON HEAD SOCKET CAP SCREW TO ATTACH MB1097-03 TO MB1097-01. NEXT USE THE #10 WASHER HEAD SELF TAPPING SCREW TO FASTEN MB1097-03 TO THE FRAME

MB1097 - Assembly Instructions Front Aluminum Inner Fenders - JL/JLU/JT

FENDER INSTALLATION

PUT THE INNER FENDER IN PLACE AND MARK THE LOCATION WHERE THE RIVNUT WILL BE INSTALLED ON THE JEEP FENDER STRUCTURE. USING A 19/64" DRILL BIT, DRILL THE MARKED HOLE LOCATION AND INSTALL A RIVNUT INTO THE HOLE.

