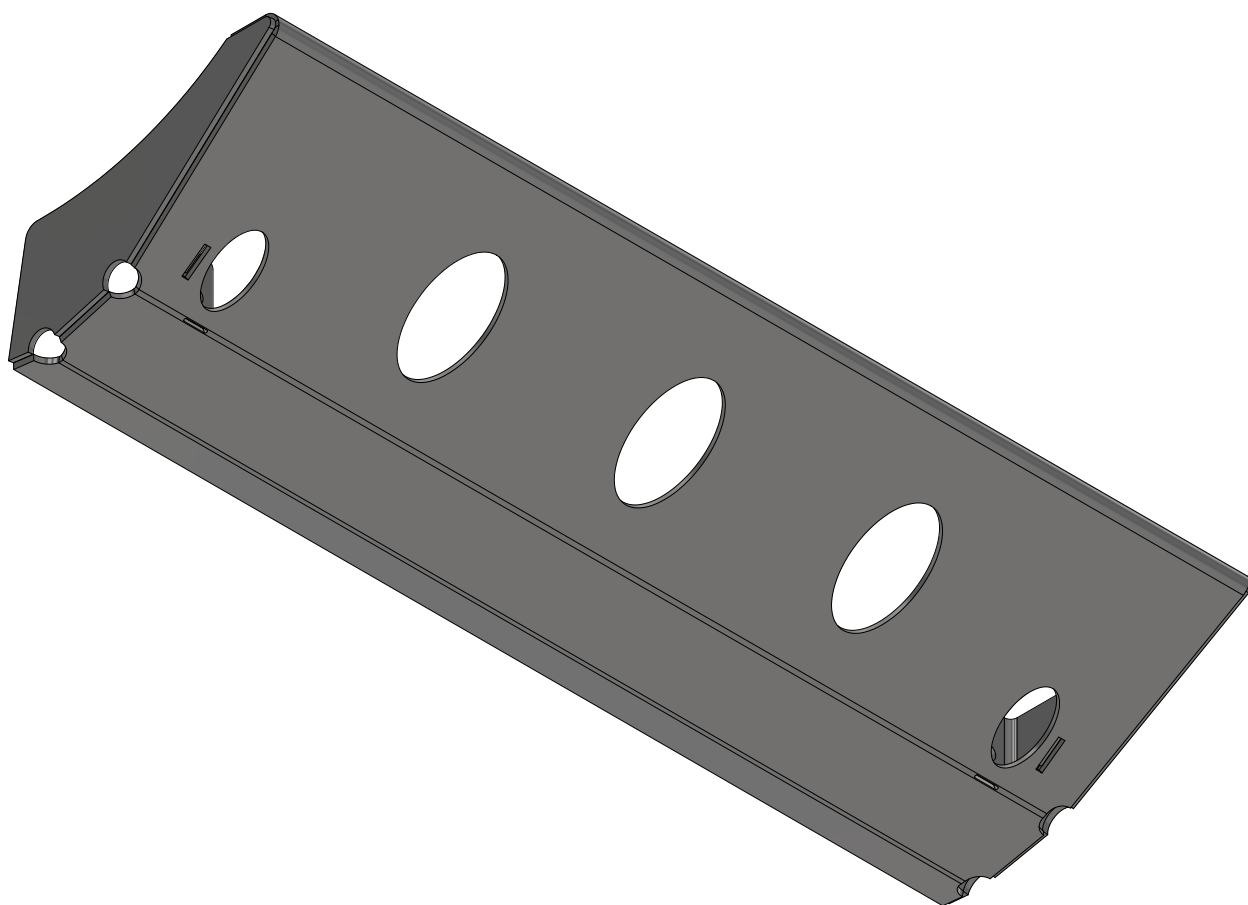
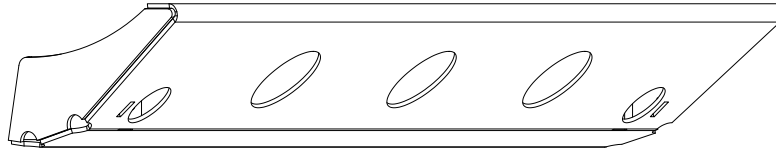


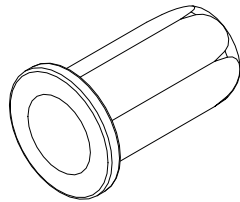
MB1094 Assembly Instructions Jeep JL Front Hammer Bumper Skid**MB1094 JEEP JL FRONT
BUMPER SKID PLATE****ASSEMBLY INSTRUCTIONS**

MB1094 - Shipping Jeep JL Front Hammer Bumper Skid

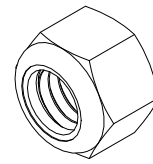
CONTENTS



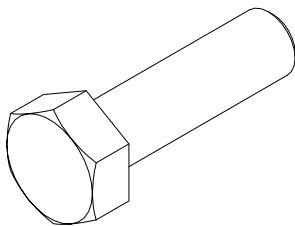
MB1094
Qty 1



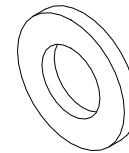
M10-1.5
RIVNUT
Qty 2



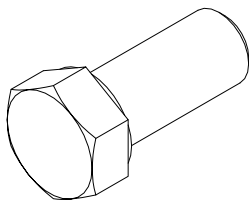
7/16" GR 8
NYLOCK HEX NUT
Qty 2



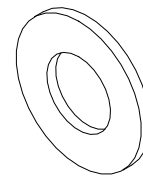
M10 x 35mm
HEX BOLT
Qty 2



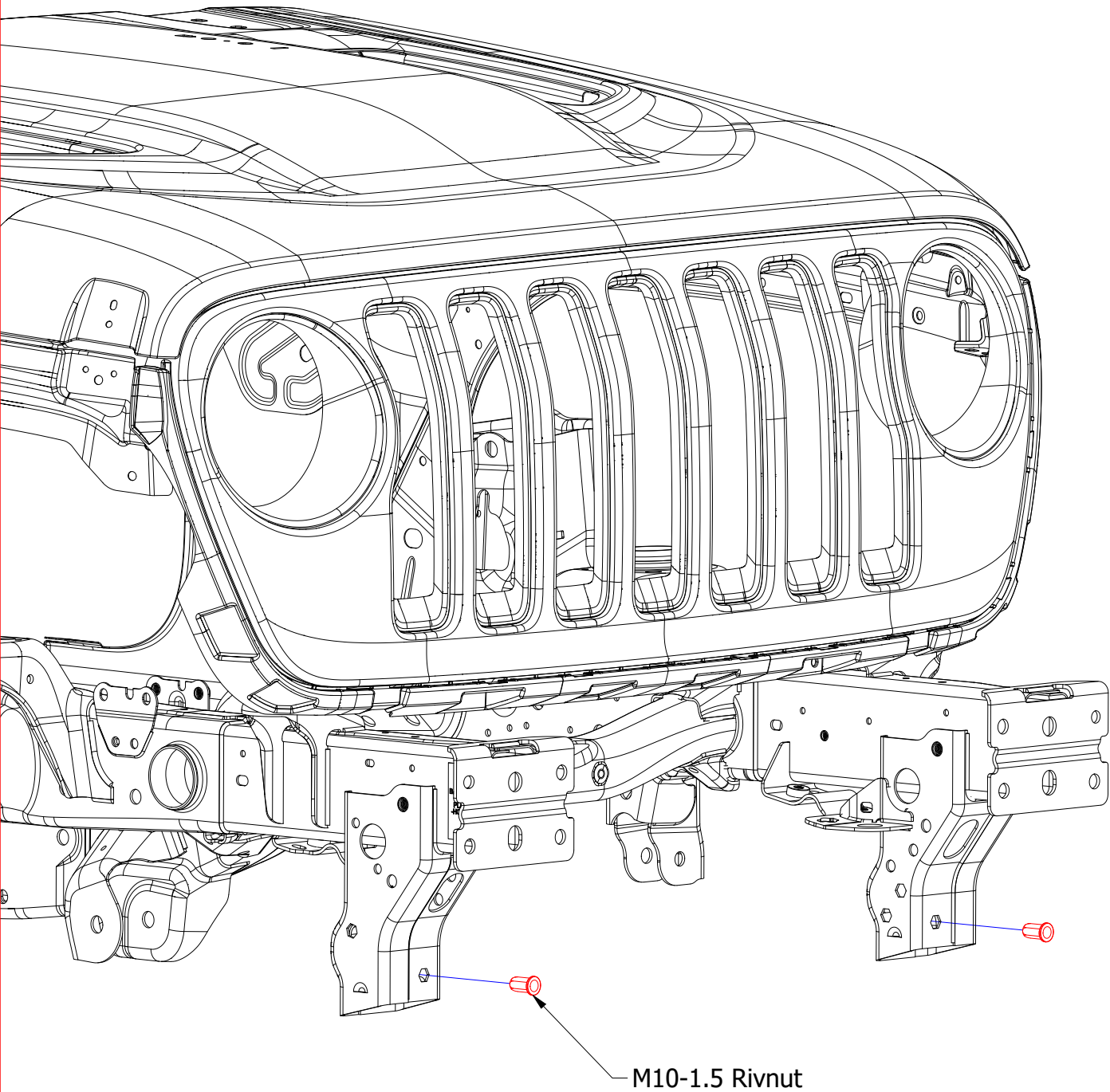
M10 FLAT WASHER
Qty 2



7/16" x 1" GR 8
HEX BOLT
Qty 2



7/16" SAE FLAT WASHER
Qty 2

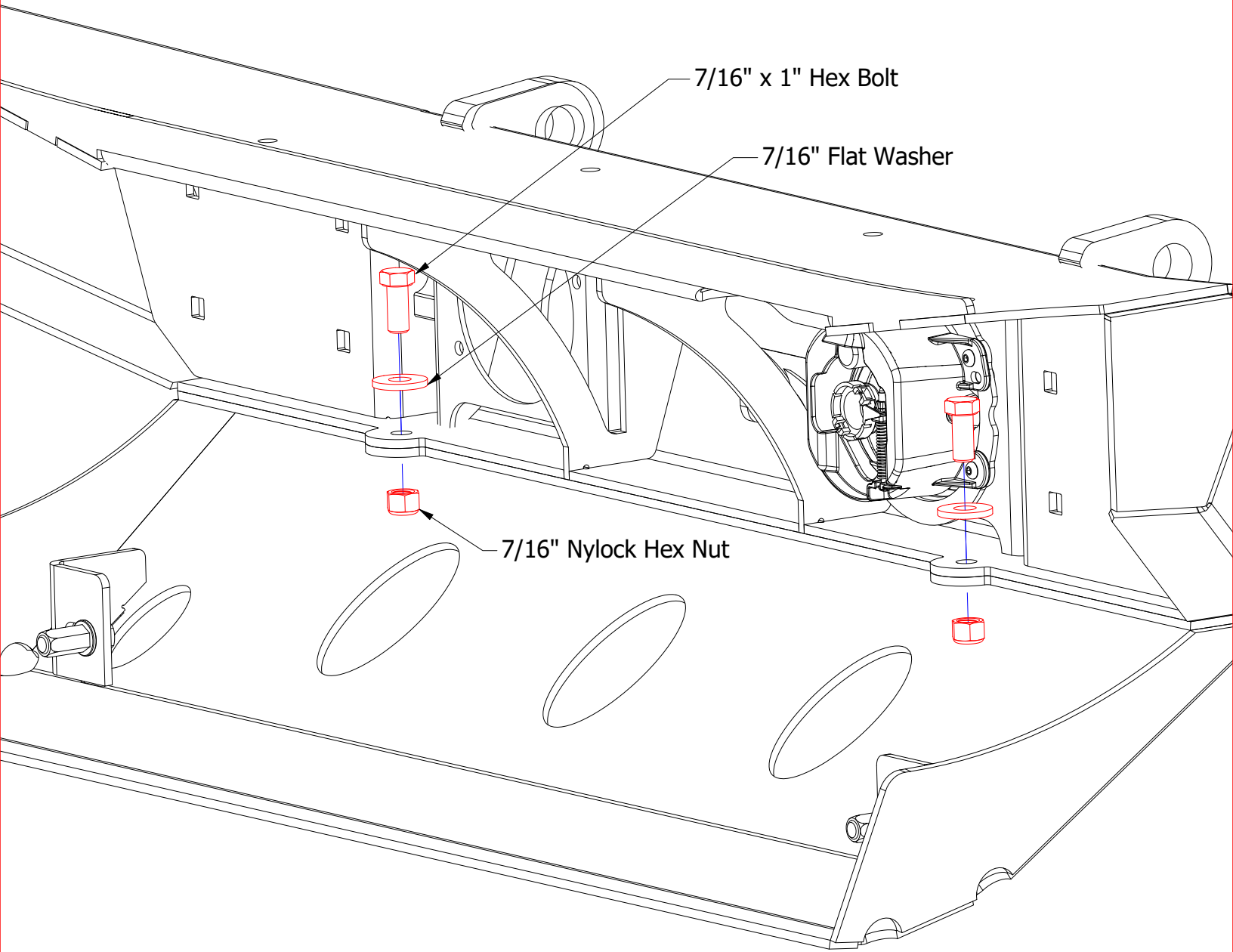
MB1094 Assembly Instructions Jeep JL Front Hammer Bumper Skid**ASSEMBLY STEP 1**

**THERE MAY BE RIVNUTS ALREADY
INSTALLED IN THE FRAME**

**WHEN INSTALLING ON A MOJAVE,
REMOVE FACTORY SKID PLATE
BRACKETS**

MB1094 Assembly Instructions Jeep JL Front Hammer Bumper Skid

ASSEMBLY STEP 2



MB1094 Assembly Instructions Jeep JL Front Hammer Bumper Skid

ASSEMBLY STEP 3

