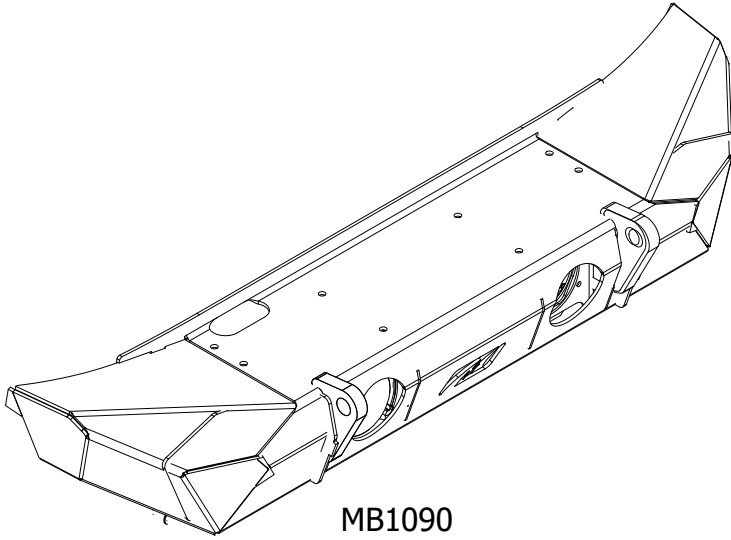
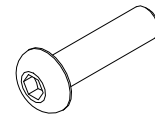


MB1090 - Shipping Jeep JL Front Hammer Bumper

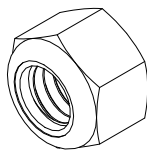
CONTENTS



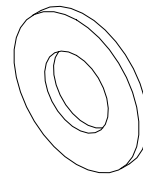
MB1090
Qty 1



#10-24 x 3/4" BUTTON HEAD
SOCKET CAP SCREW
Qty 8



7/16" GR 8
NYLOCK HEX NUT
Qty 8



7/16" SAE FLAT WASHER
Qty 8