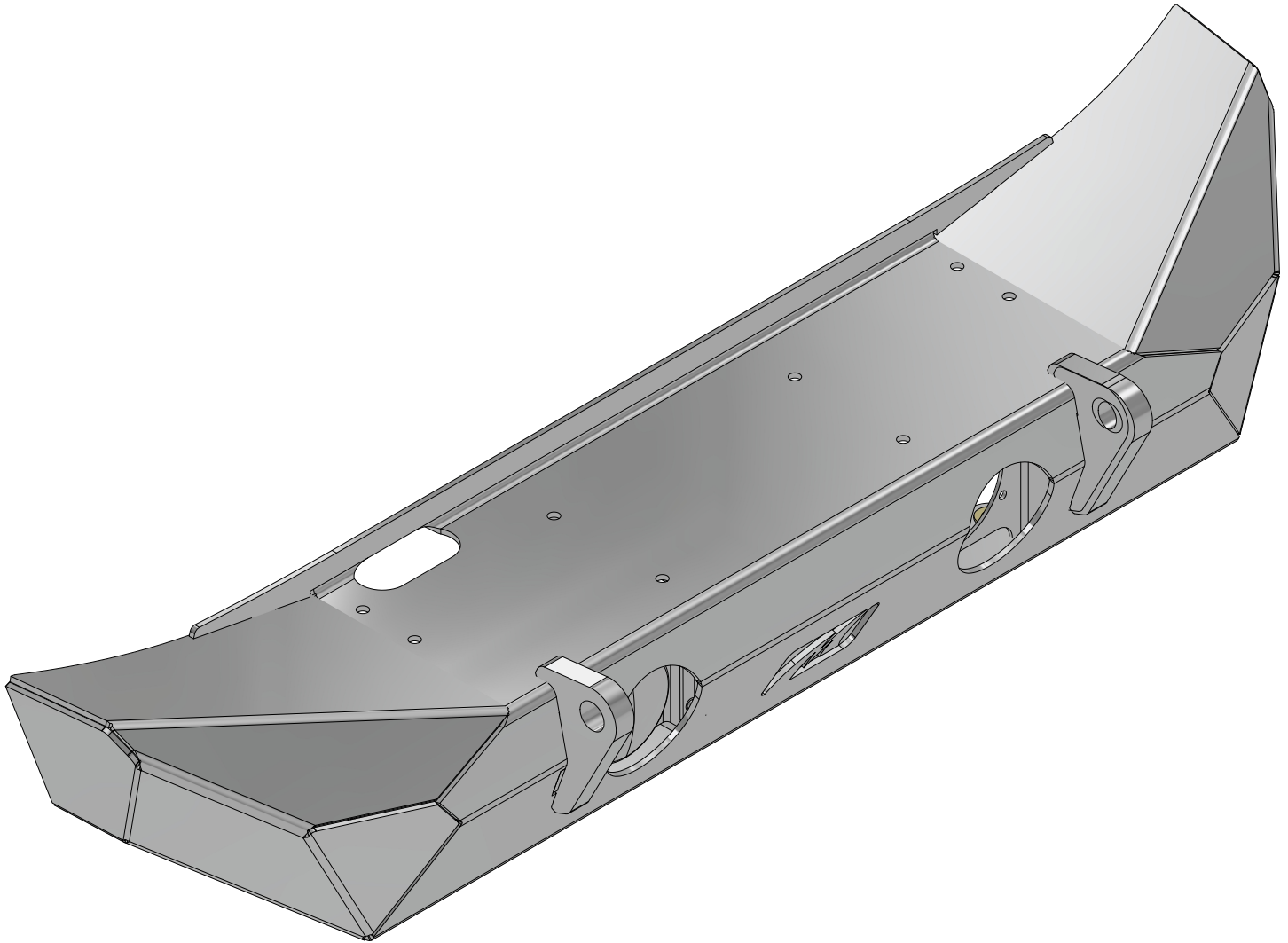
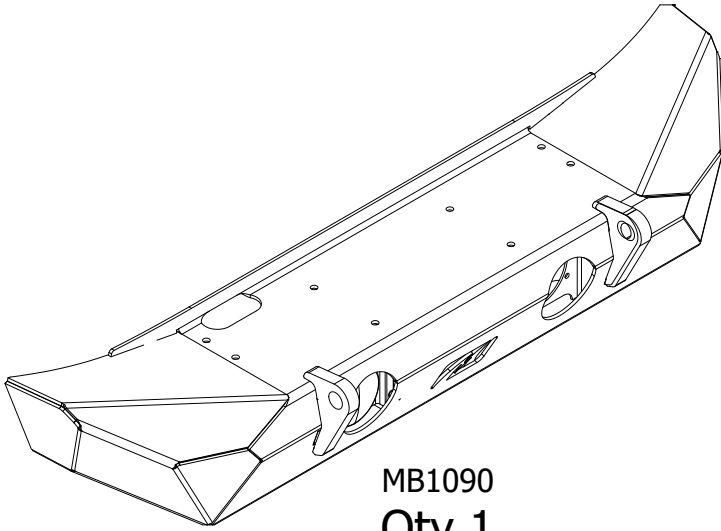


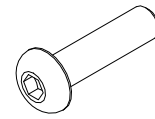
MB1090 - Assembly Instructions Jeep JL Front Hammer Bumper**MB1090 - HAMMER SERIES FRONT BUMPER FOR JEEP JL / JT GLADIATOR****ASSEMBLY INSTRUCTIONS**

MB1090 - Shipping Jeep JL Front Hammer Bumper

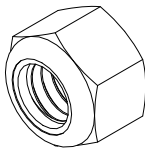
CONTENTS



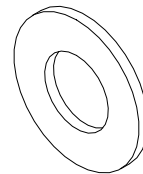
MB1090
Qty 1



**#10-24 x 3/4" BUTTON HEAD
SOCKET CAP SCREW**
Qty 8



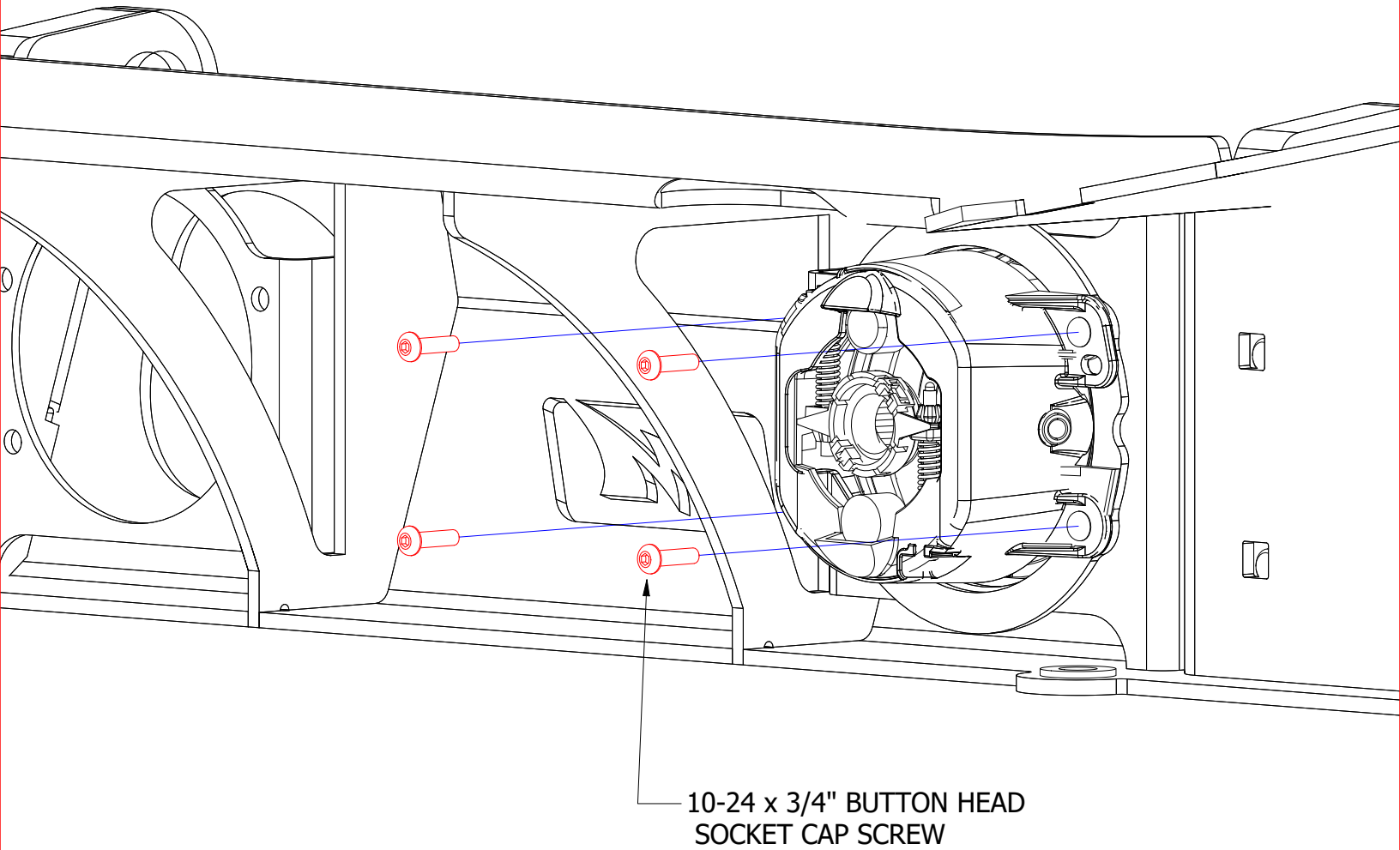
**7/16" GR 8
NYLOCK HEX NUT**
Qty 8

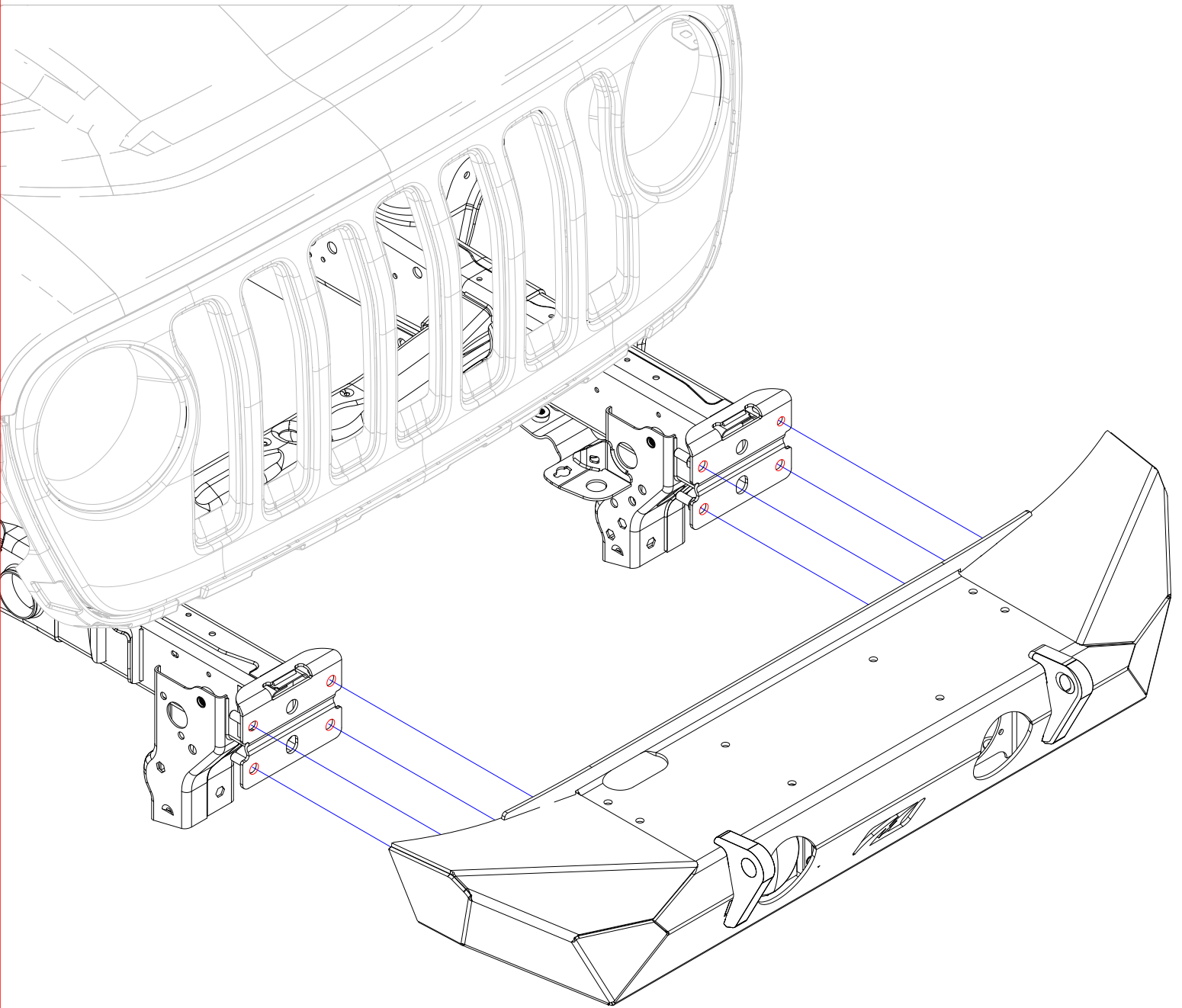


7/16" SAE FLAT WASHER
Qty 8

MB1090 - Assembly Instructions Jeep JL Front Hammer Bumper**FOG LIGHT INSTALLATION**

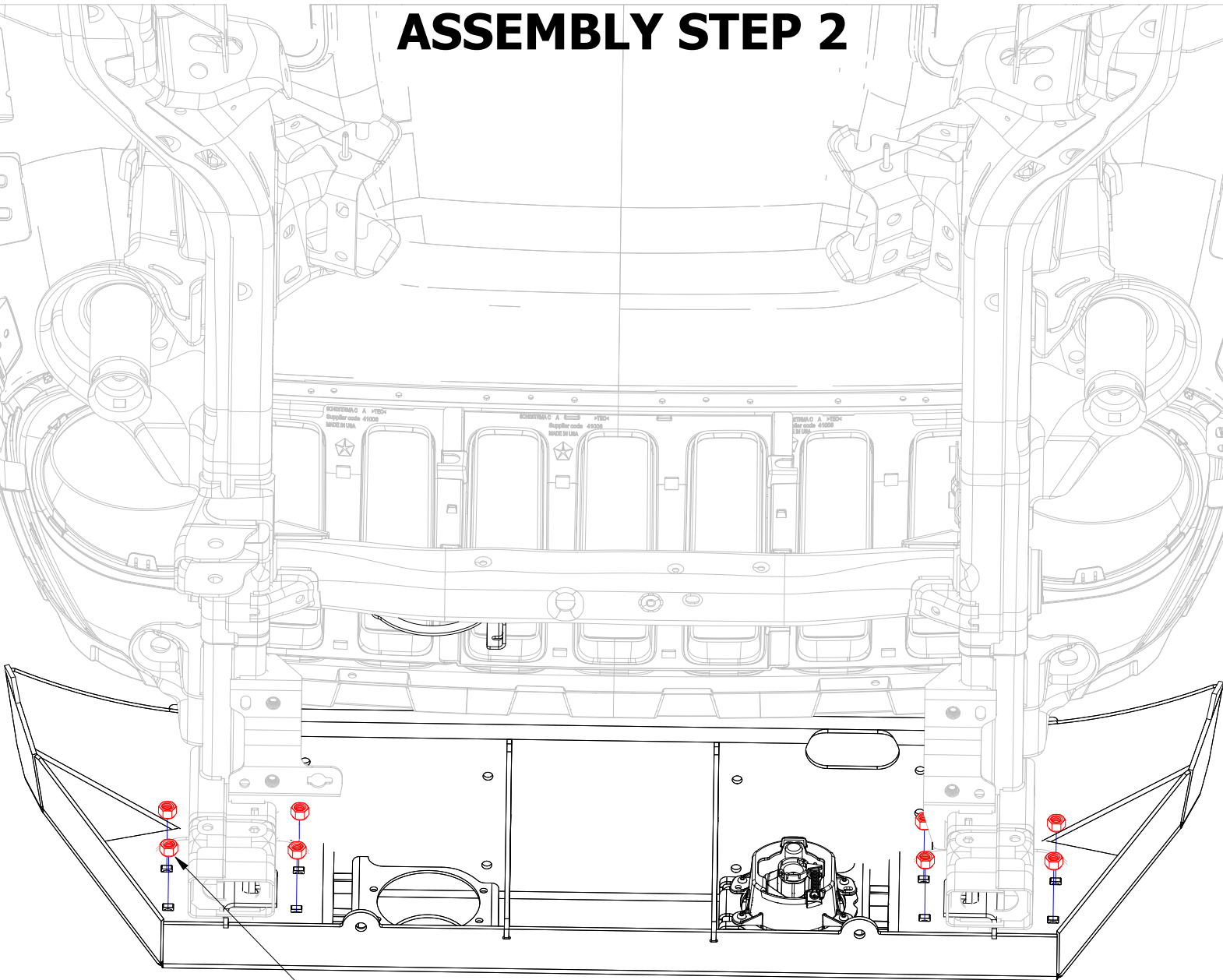
(FOG LIGHTS NOT INCLUDED)



MB1090 - Assembly Instructions Jeep JL Front Hammer Bumper**ASSEMBLY STEP 1**

MB1090 - Assembly Instructions Jeep JL Front Hammer Bumper

ASSEMBLY STEP 2



7/16" NYLOCK HEX NUT