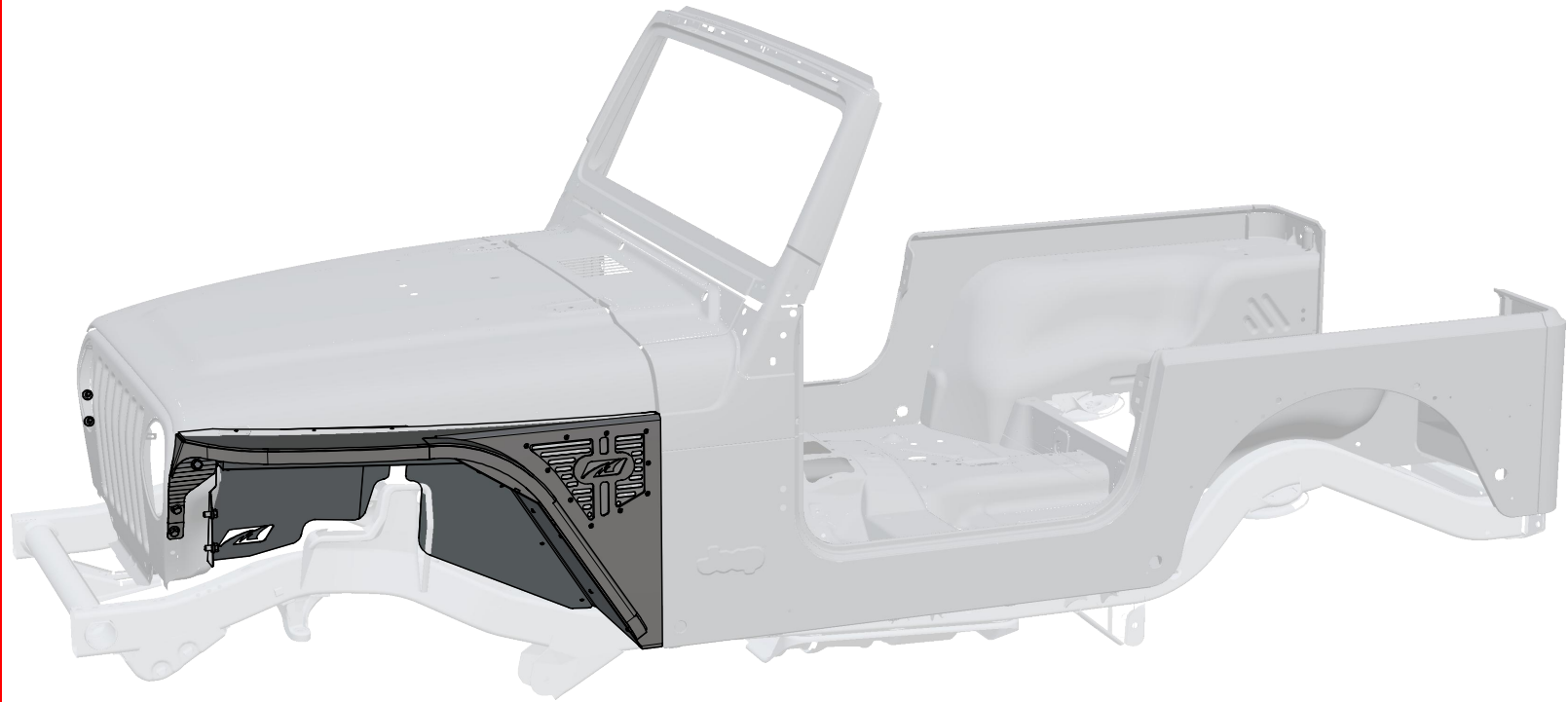


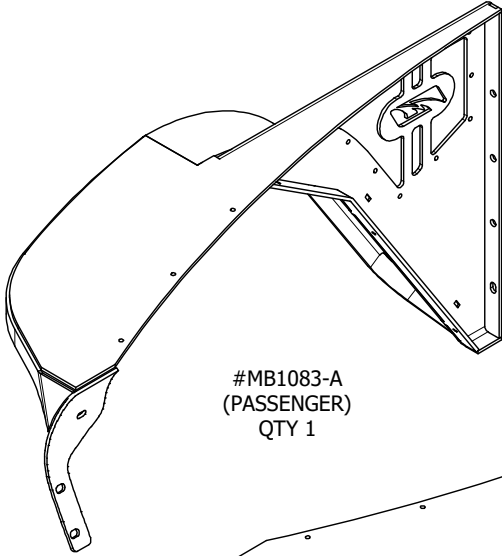
HIGH LINE FENDERS INNER FENDERS (OPTIONAL) TJ/LJ



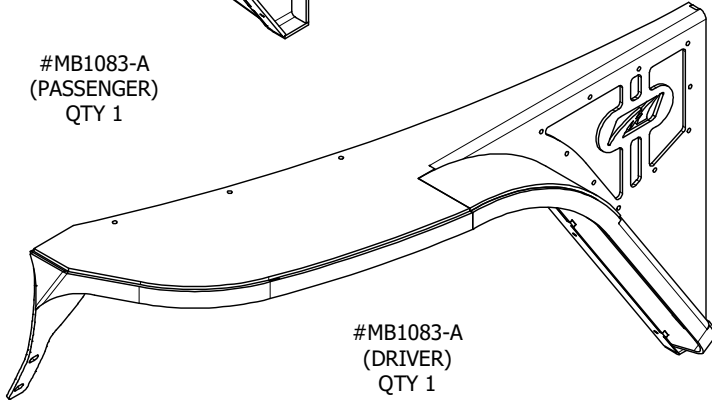
ASSEMBLY INSTRUCTIONS

MB1083 - Assembly Instructions High Line Flat Fender and Inner Fender

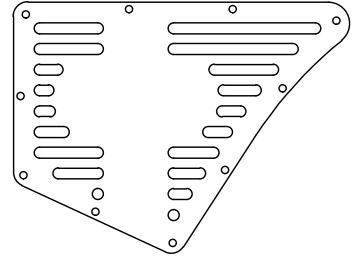
KIT COMPONENTS - FENDER



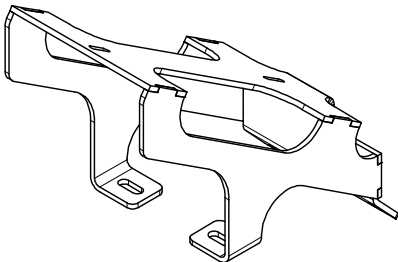
#MB1083-A
(PASSENGER)
QTY 1



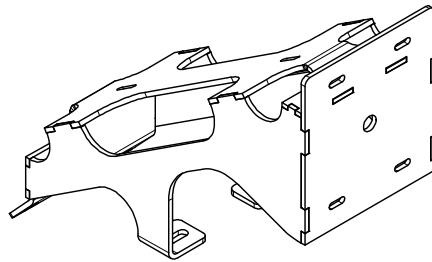
#MB1083-A
(DRIVER)
QTY 1



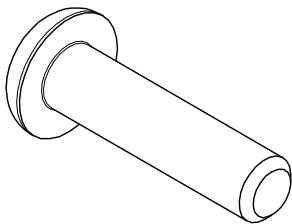
#MB1083-VT
VENTED SIDE PLATE
QTY 2



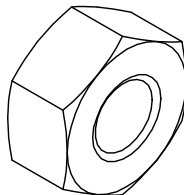
#MB1083-BA FENDER SUPPORT
QTY 1



#MB1083-BA BATTERY SUPPORT
QTY 1



BUTTON HEAD SOCKET CAP SCREW STAINLESS
#10-24 x 3/4"
QTY 20



NYLOCK HEX NUT ZINC
#10-24
QTY 20

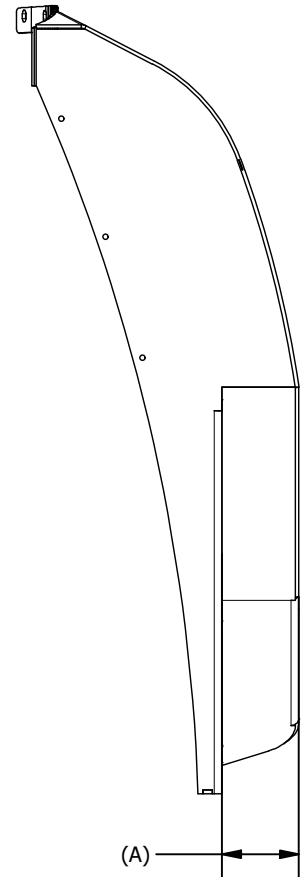
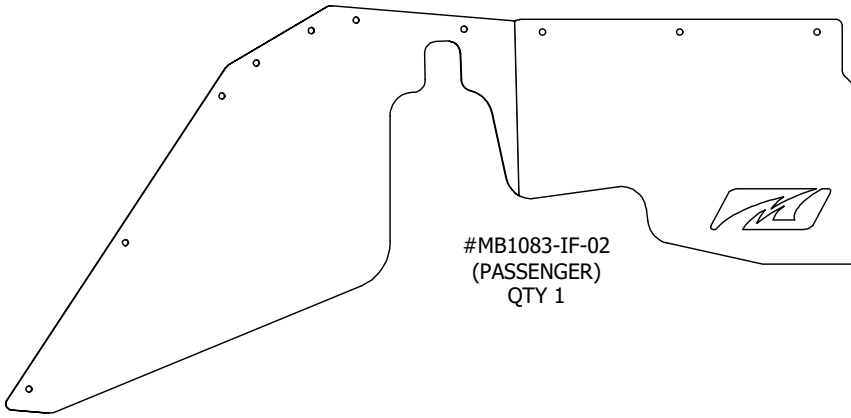


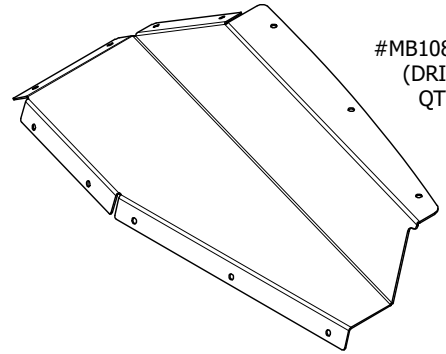
TABLE	
PART #	DIMENSION (in)
MB1083-0	0
MB1083-2	2
MB1083-4	4
MB1083-6	6

MB1083 - Assembly Instructions High Line Flat Fender and Inner Fender

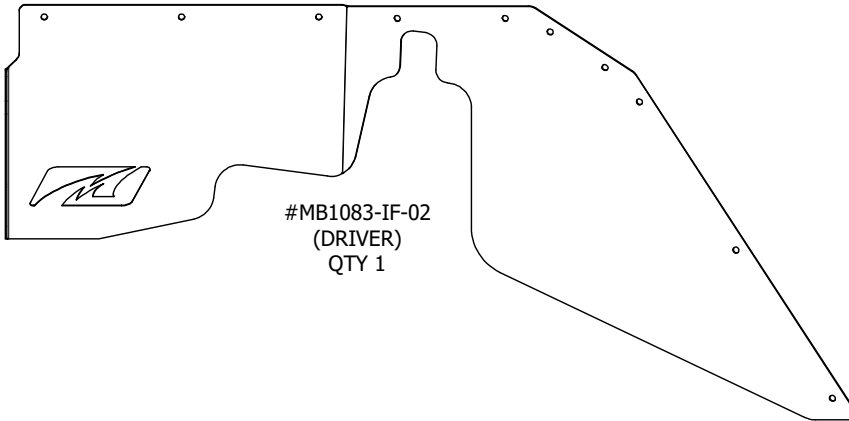
KIT COMPONENTS - INNER FENDER



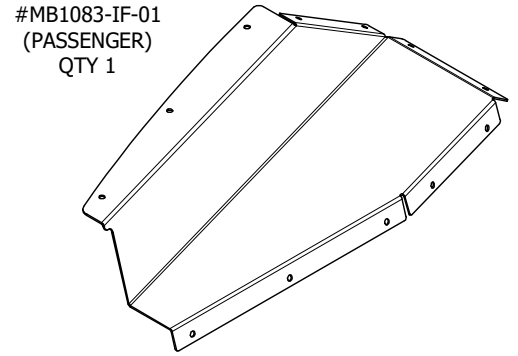
#MB1083-IF-02
(PASSENGER)
QTY 1



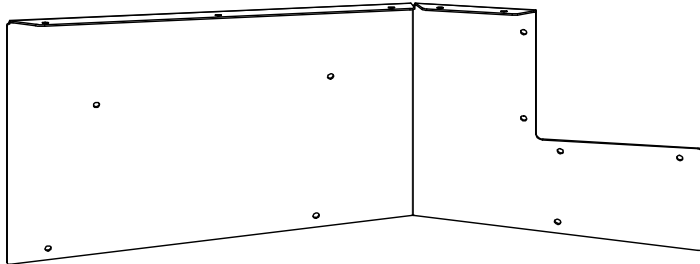
#MB1083-IF-01
(DRIVER)
QTY 1



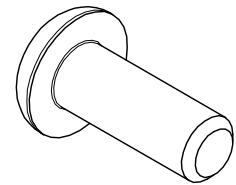
#MB1083-IF-02
(DRIVER)
QTY 1



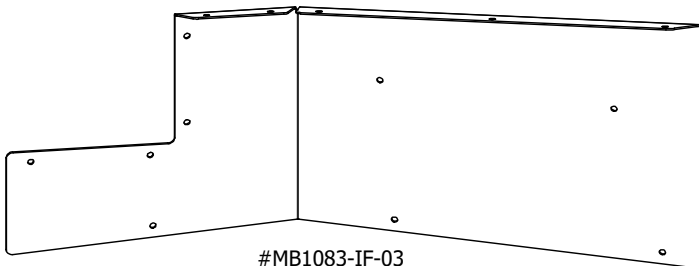
#MB1083-IF-01
(PASSENGER)
QTY 1



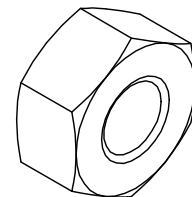
#MB1083-IF-03
(PASSENGER)
QTY 1



BUTTON HEAD SOCKET CAP SCREW STAINLESS
#10-24 x 1/2"
QTY 44



#MB1083-IF-03
(DRIVER)
QTY 1

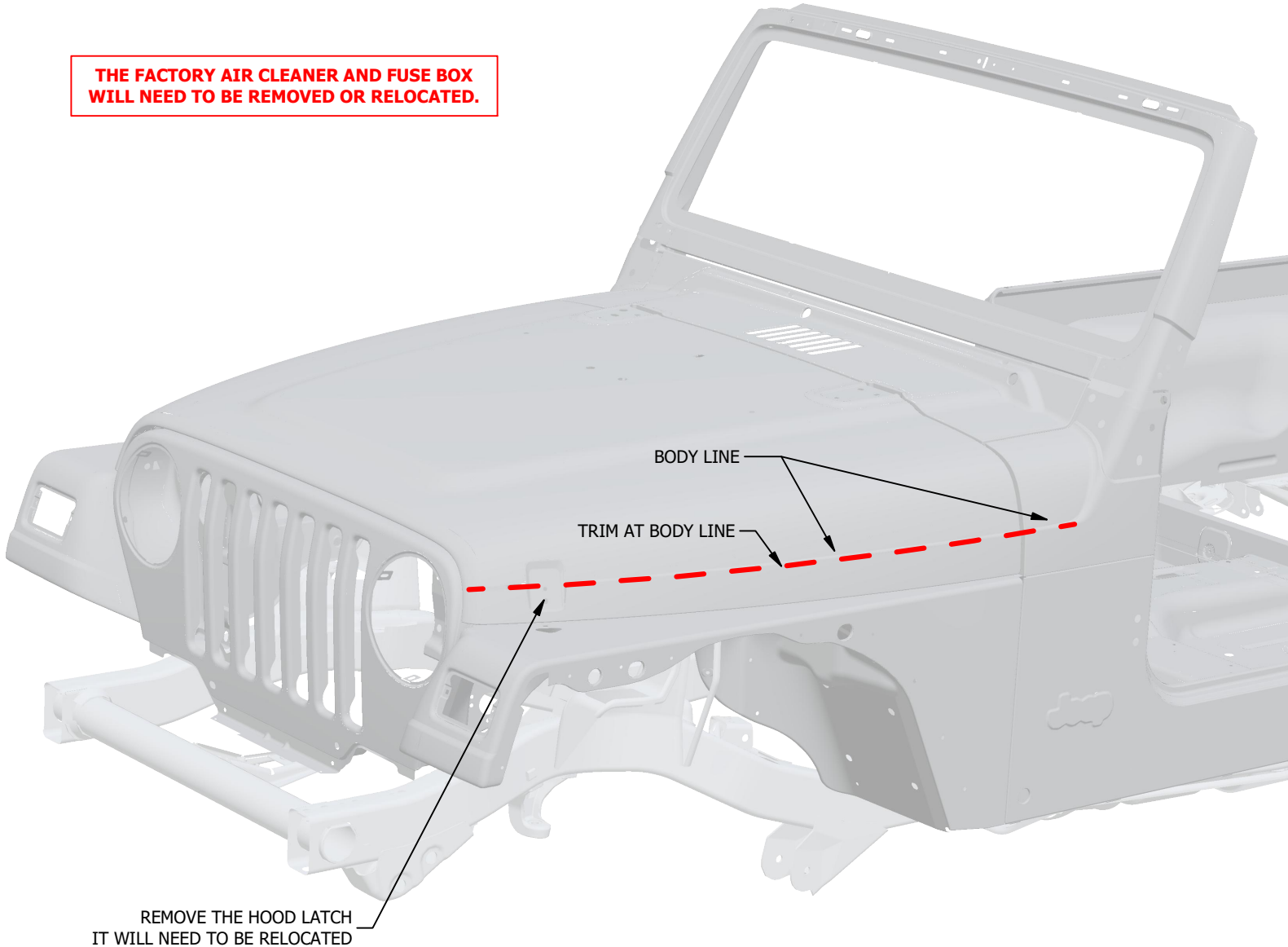


NYLOCK HEX NUT ZINC
#10-24
QTY 44

MB1083 - Assembly Instructions High Line Flat Fender and Inner Fender

HOOD TRIMMING

THE FACTORY AIR CLEANER AND FUSE BOX WILL NEED TO BE REMOVED OR RELOCATED.



TRIM THE HOOD AT THE BODY LINE THAT STARTS AT THE COWL AND EXTENDS TO THE FRONT OF THE HOOD. YOU MAY WANT TO LEAVE SOME EXTRA MATERIAL AT THE BOTTOM OF THE HOOD TO TRIM LATER ON WHEN THE MOTOBILT FENDERS ARE FINALLY ATTACHED. THIS WILL ENSURE THE BODY GAP BETWEEN THE HOOD AND FENDERS WILL BE IDEAL.

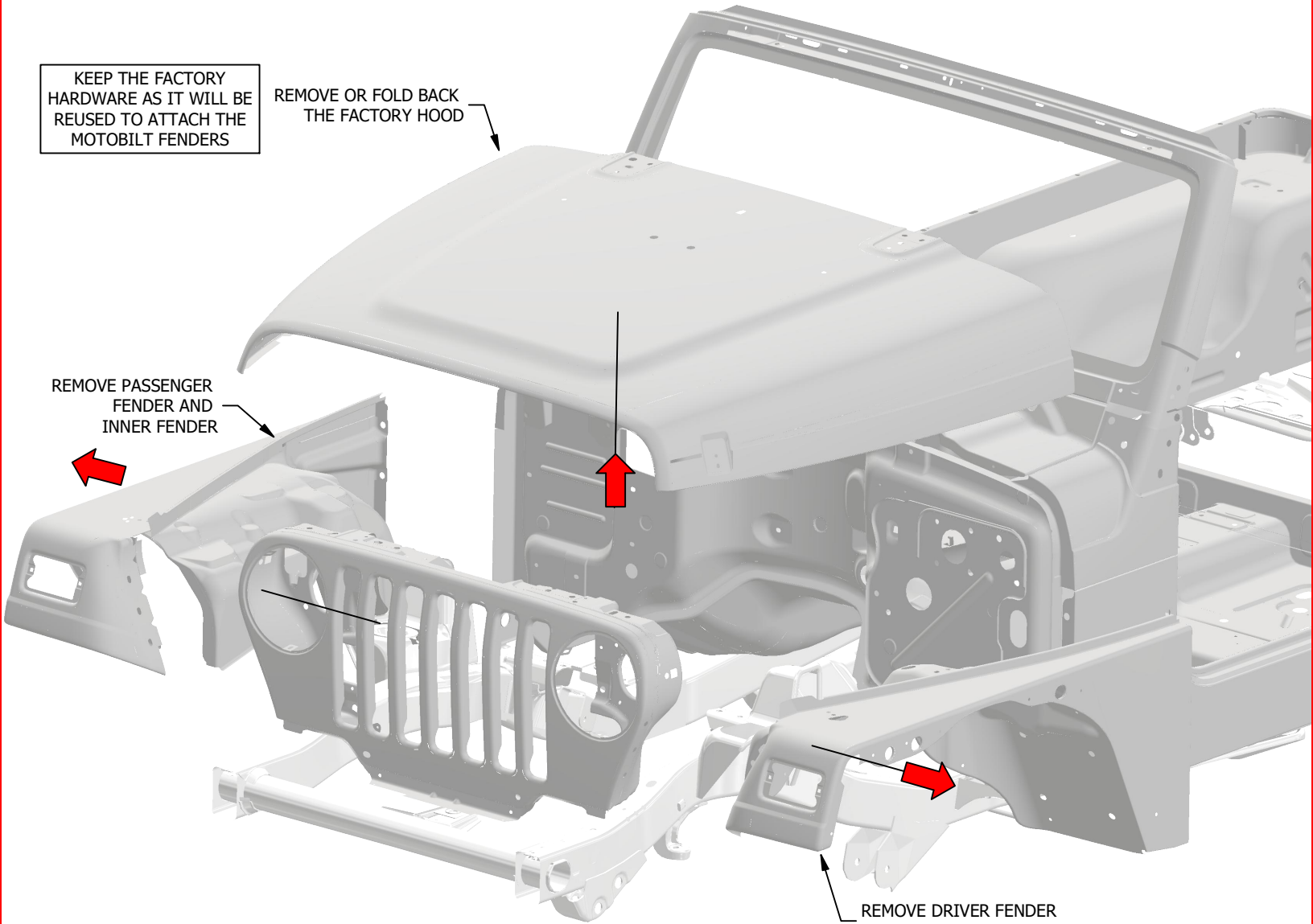
MB1083 - Assembly Instructions High Line Flat Fender and Inner Fender**FACTORY FENDER AND HOOD REMOVAL**

KEEP THE FACTORY
HARDWARE AS IT WILL BE
REUSED TO ATTACH THE
MOTOBILT FENDERS

REMOVE OR FOLD BACK
THE FACTORY HOOD

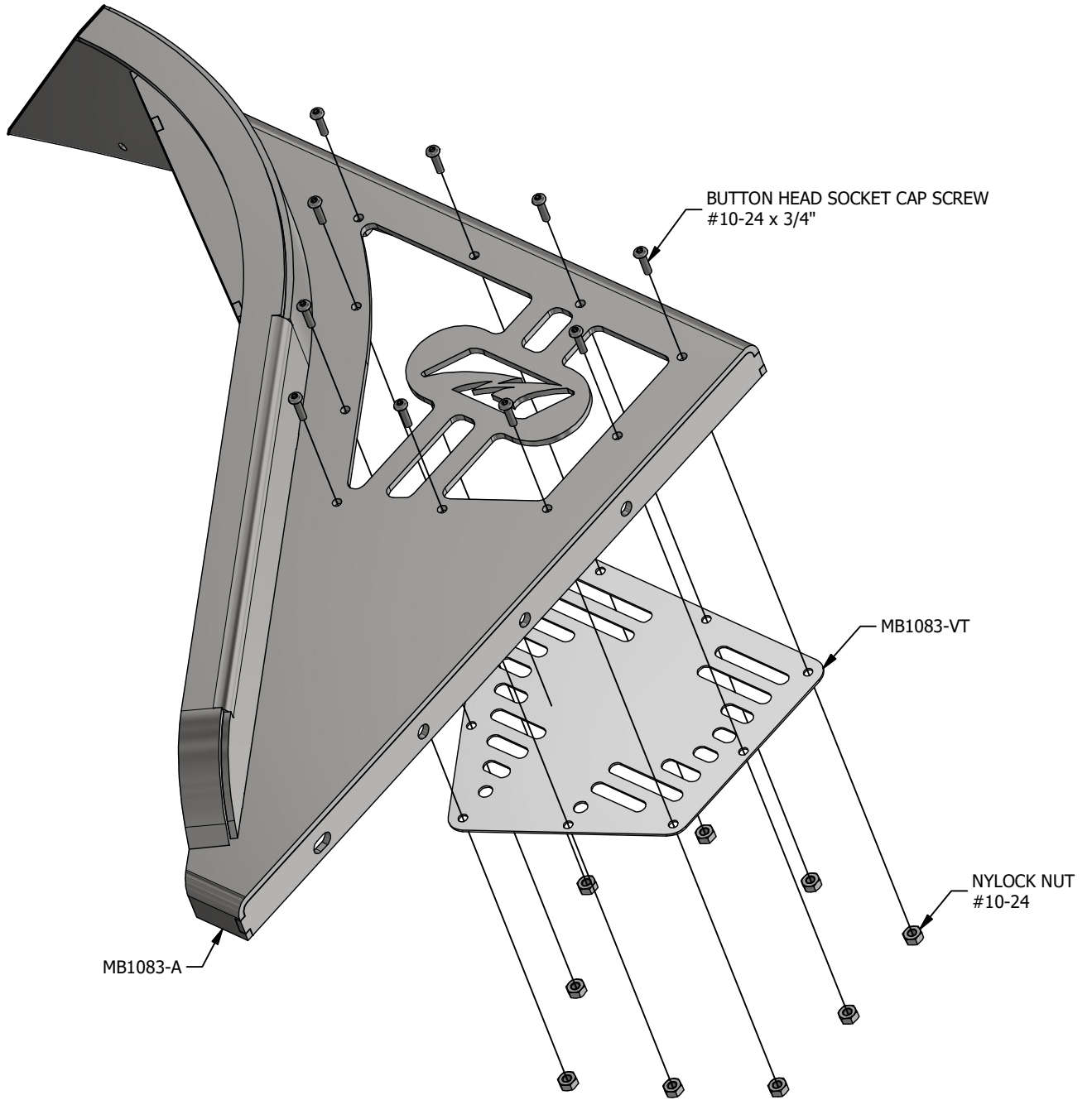
REMOVE PASSENGER
FENDER AND
INNER FENDER

REMOVE DRIVER FENDER
AND INNER FENDER



MB1083 - Assembly Instructions High Line Flat Fender and Inner Fender

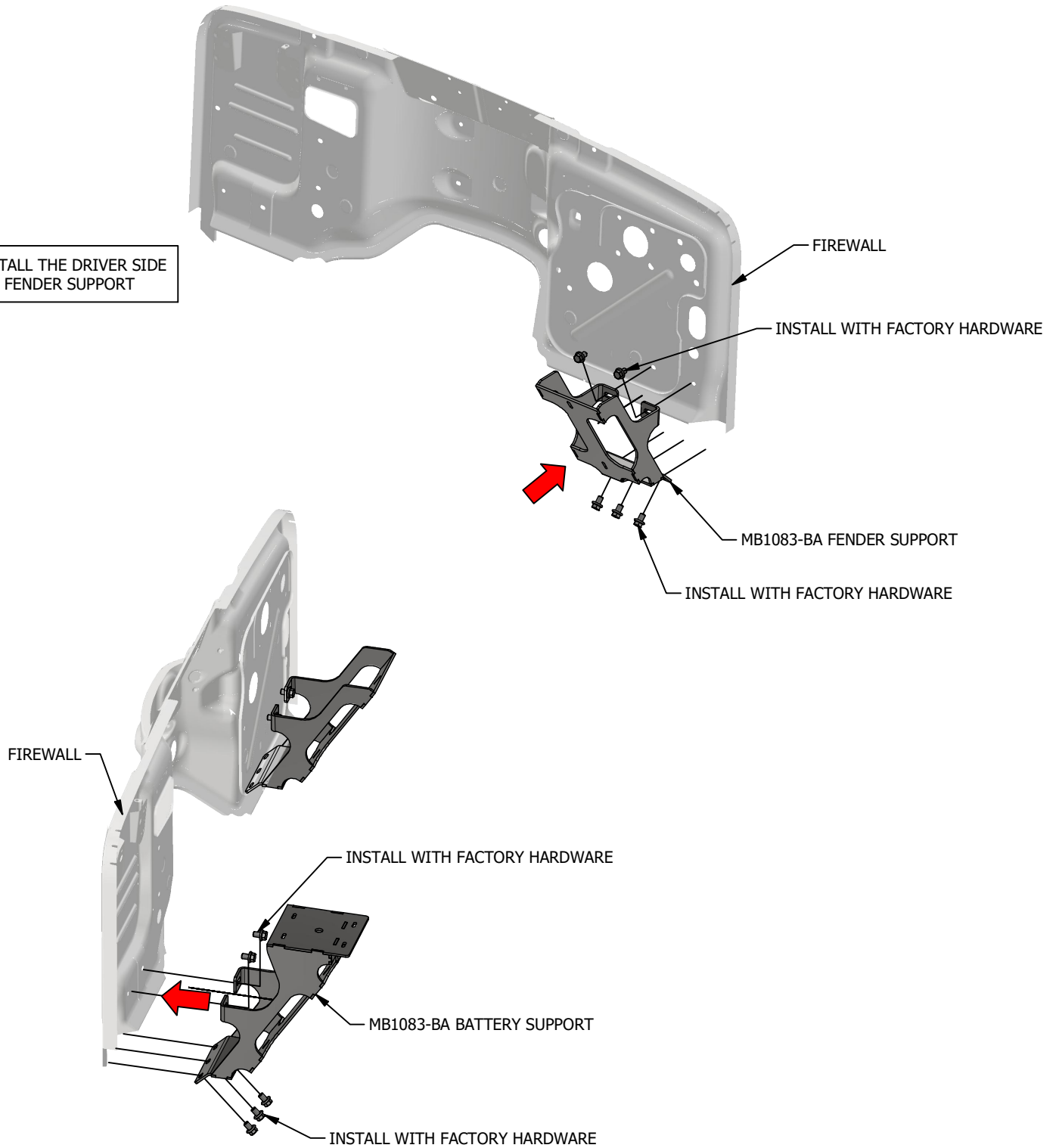
FENDER ASSEMBLY



MB1083 - Assembly Instructions High Line Flat Fender and Inner Fender

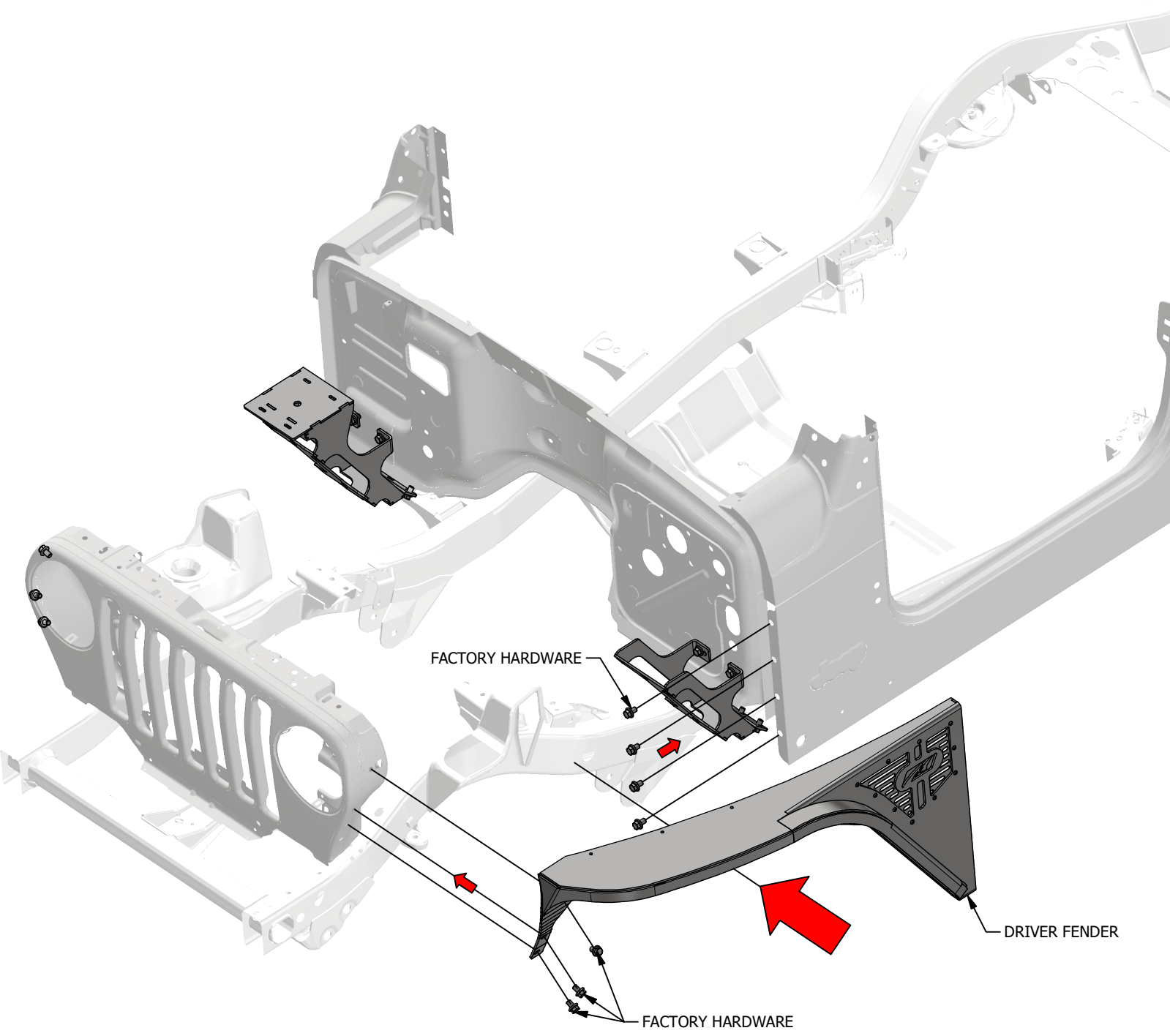
FENDER SUPPORTS

INSTALL THE DRIVER SIDE
FENDER SUPPORT



MB1083 - Assembly Instructions High Line Flat Fender and Inner Fender

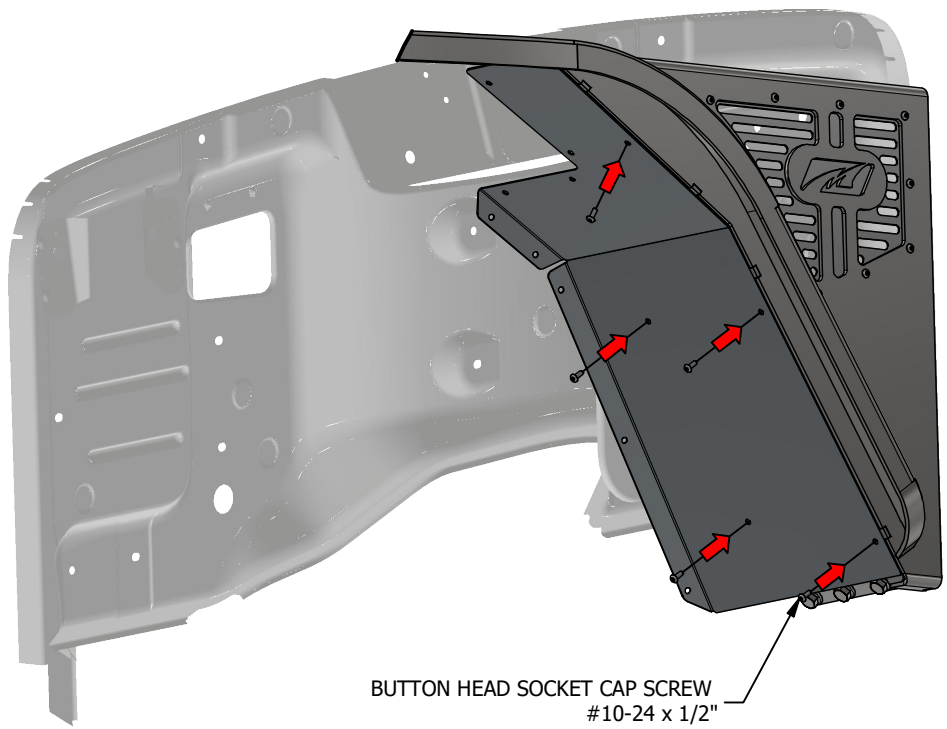
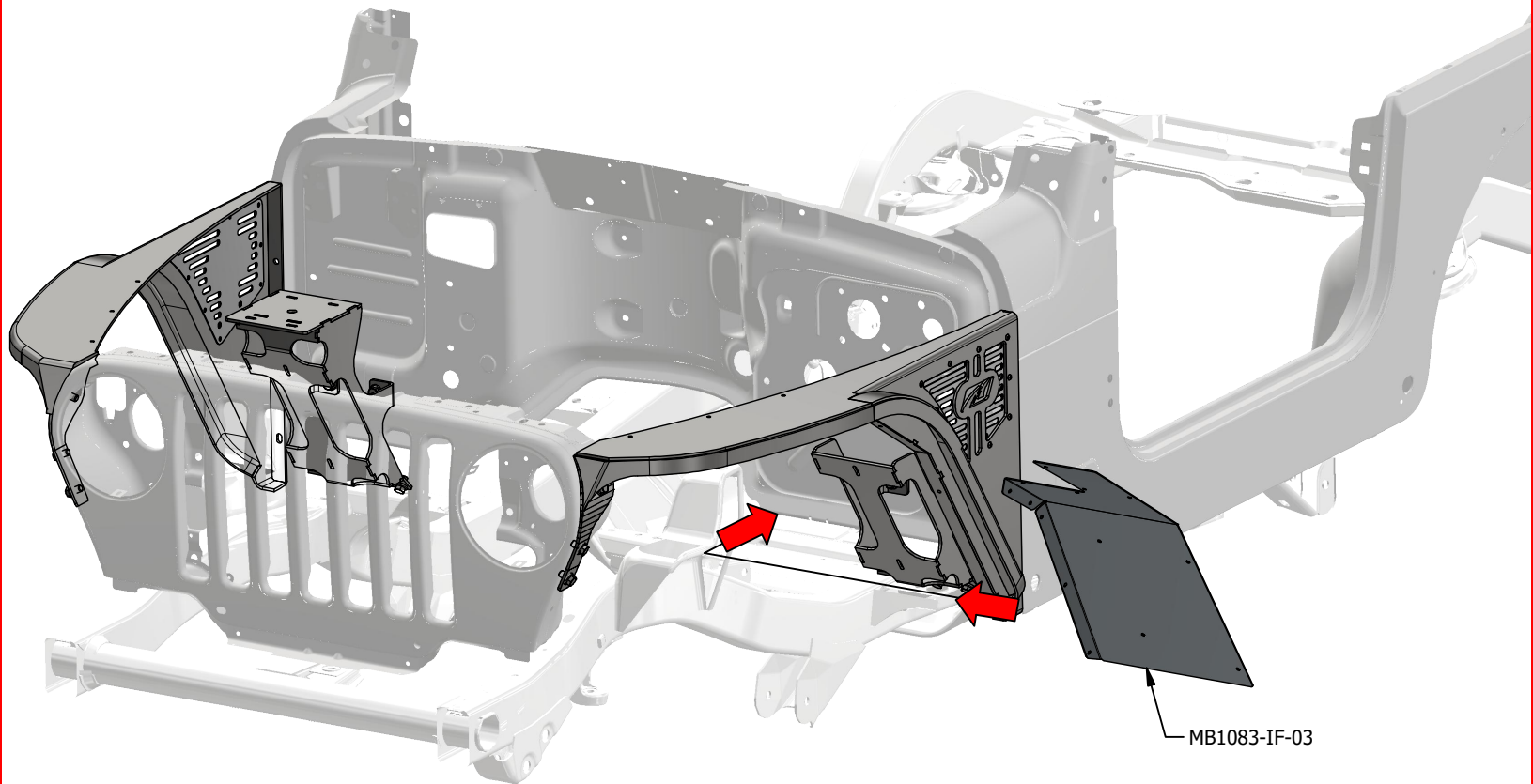
FENDER INSTALL



INSTALL THE NEW FENDER USING THE FACTORY HARDWARE IN THE FACTORY LOCATION. REPEAT THIS STEP ON THE PASSENGER SIDE

MB1083 - Assembly Instructions High Line Flat Fender and Inner Fender

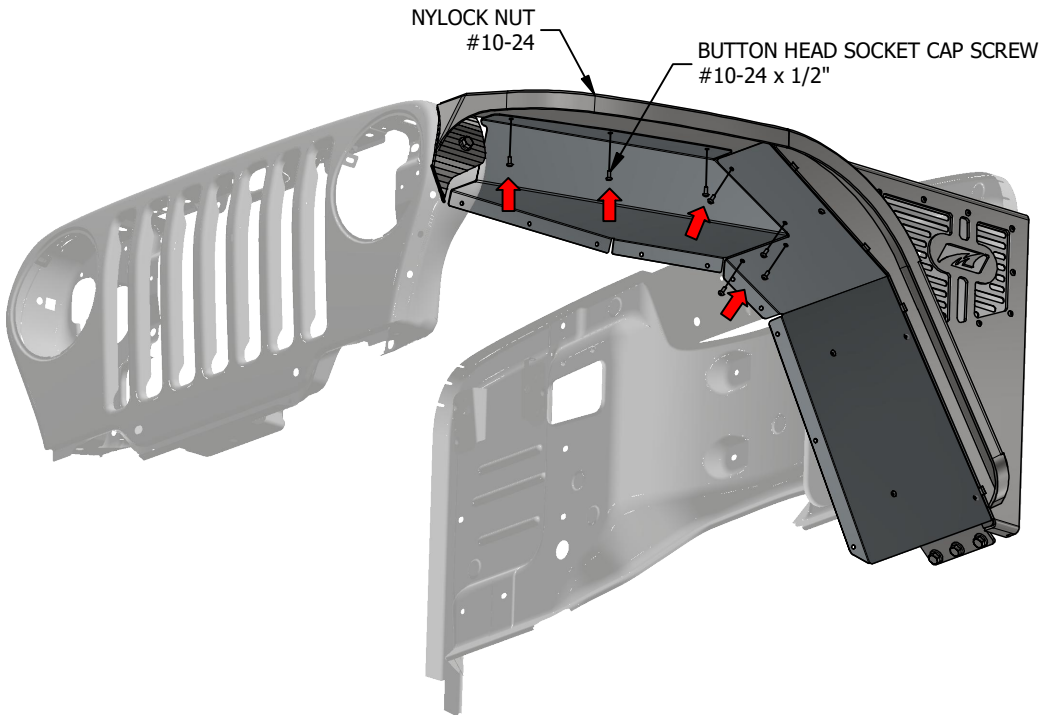
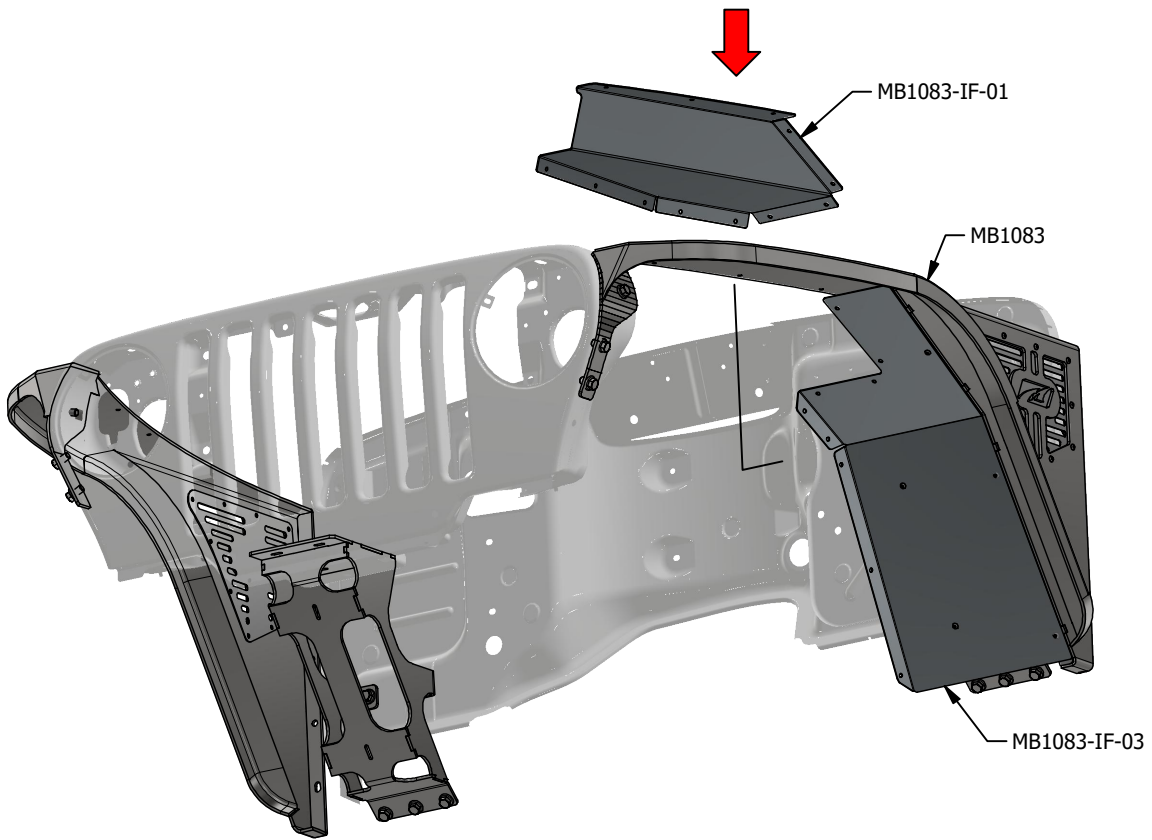
INNER FENDER INSTALL



INSTALL THE MB1083-IF-03 INNER FENDER WITH #10 BUTTON HEAD SOCKET CAP SCREWS WITH #10 NYLOCK NUTS.

MB1083 - Assembly Instructions High Line Flat Fender and Inner Fender

INNER FENDER INSTALL



MB1083 - Assembly Instructions High Line Flat Fender and Inner Fender

INNER FENDER INSTALL

NOTE: THE AIR FILTER BOX AND FUSE BOX WILL NEED TO BE RELOCATED OR REMOUNTED ON THE NEW INNER FENDER.

