

ASSEMBLY INSTRUCTIONS FOR TJ/LJ FLAT FENDER SET FOR HIGHLINE HOOD



NOTES:

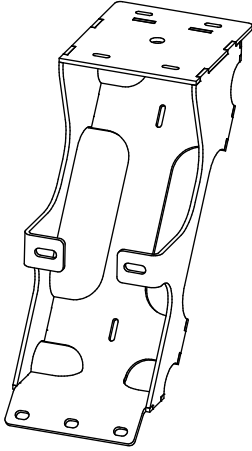
The assembly method is the same for ALL versions of this product. For simplicity, the 2" offset fender flare versions is shown.

The following sheets marked as "CONTENTS" explain how each version of this product is shipped. First identify which fender flare offset your ordered (either 0", 2" or 4" offset), then identify either STEEL or ALUMINUM to determine which "CONTENTS" sheet to use.

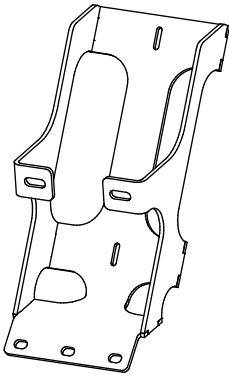
The following products are sold separately & NOT included with this product:

MB1083-IF Aluminum Inner Fender Kit (includes cutouts)

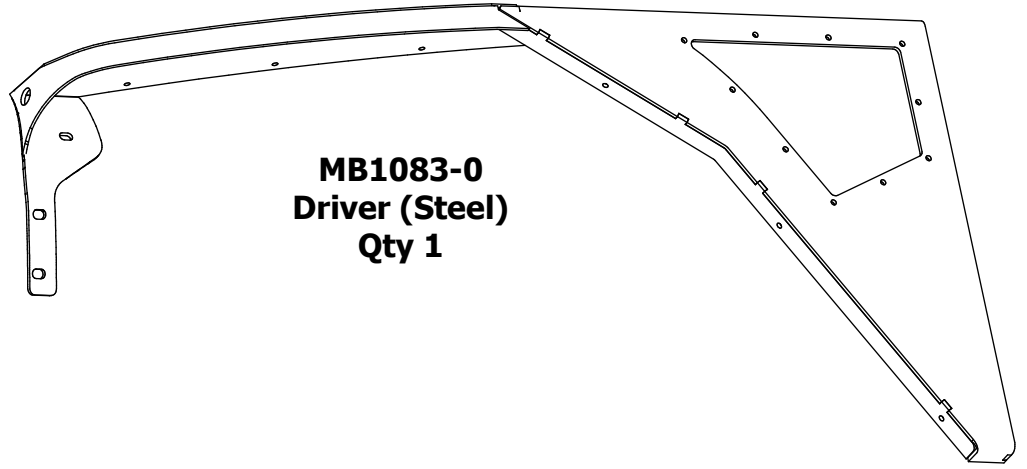
MB1083-IFB Aluminum Inner Fender Kit (blank - no cutouts)

MB1083-0 TJ Highline Front Fender 0" Offset**CONTENTS - STEEL VERSION**

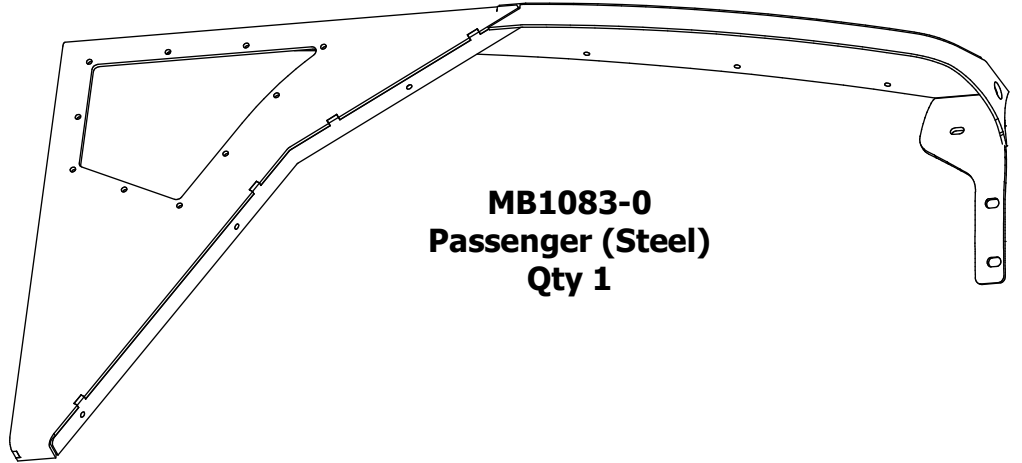
**MB1083-BA
Battery Support (Steel)
Qty 1**



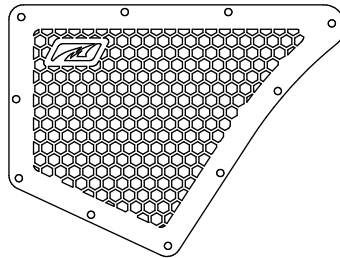
**MB1083-BA
Fender Support (Steel)
Qty 1**



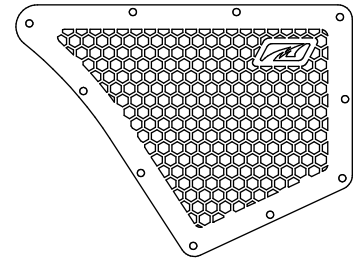
**MB1083-0
Driver (Steel)
Qty 1**



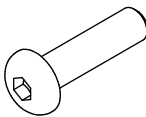
**MB1083-0
Passenger (Steel)
Qty 1**



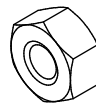
**MB1083-VT-01
Vent Trim Passenger (Aluminum)
Qty 1**



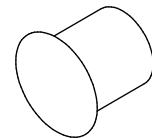
**MB1083-VT-01
Vent Trim Driver (Aluminum)
Qty 1**



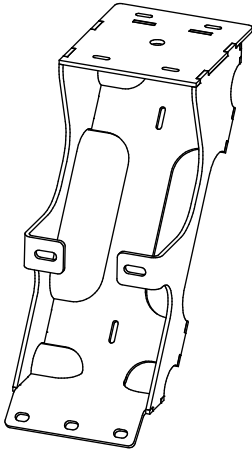
**Round Head Screw
#10-24 x 3/4"
Qty 22
(Includes 2 Spares)**



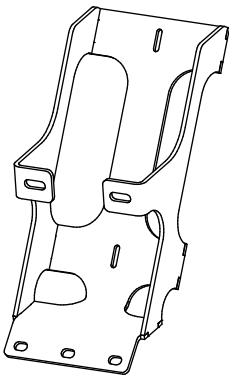
**Nylock Nut
#10-24
Qty 22
(Includes 2 Spares)**



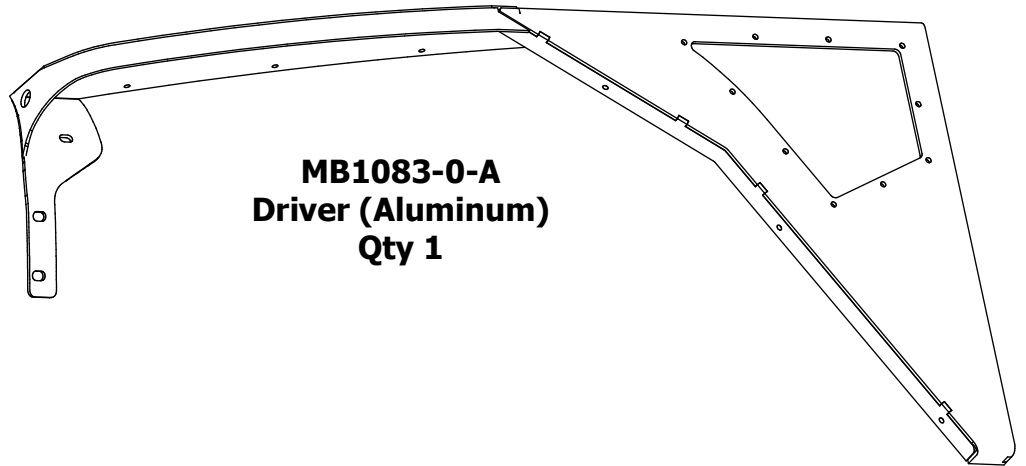
**MB6500
LED Side Marker Light
Amber
Qty 2**

MB1083-0 TJ Highline Front Fender 0" Offset**CONTENTS - ALUMINUM VERSION**

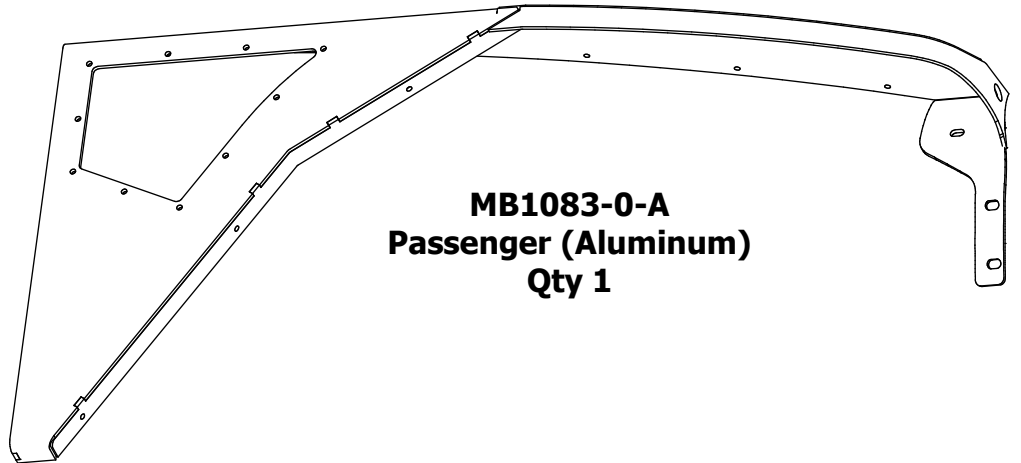
MB1083-BA
Battery Support (Steel)
Qty 1



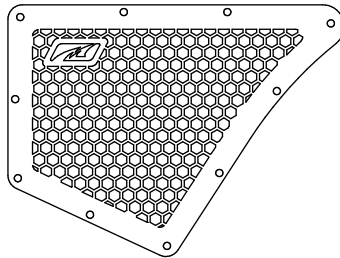
MB1083-BA
Fender Support (Steel)
Qty 1



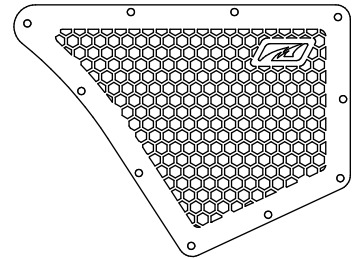
MB1083-0-A
Driver (Aluminum)
Qty 1



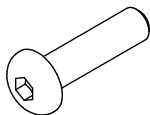
MB1083-0-A
Passenger (Aluminum)
Qty 1



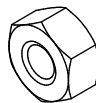
MB1083-VT-01
Vent Trim Passenger (Aluminum)
Qty 1



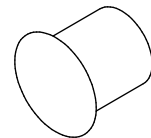
MB1083-VT-01
Vent Trim Driver (Aluminum)
Qty 1



Round Head Screw
#10-24 x 3/4"
Qty 22
(Includes 2 Spares)



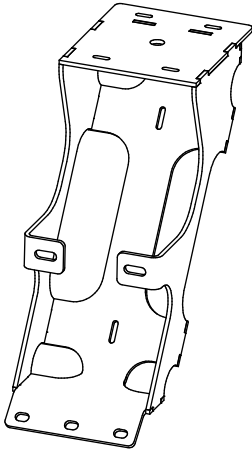
Nylock Nut
#10-24
Qty 22
(Includes 2 Spares)



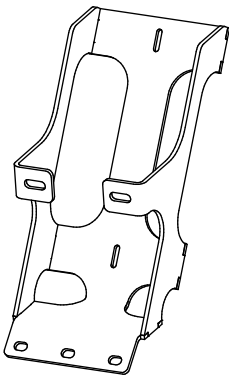
MB6500
LED Side Marker Light
Amber
Qty 2

MB1083-2 TJ Highline Front Fender 2" Offset

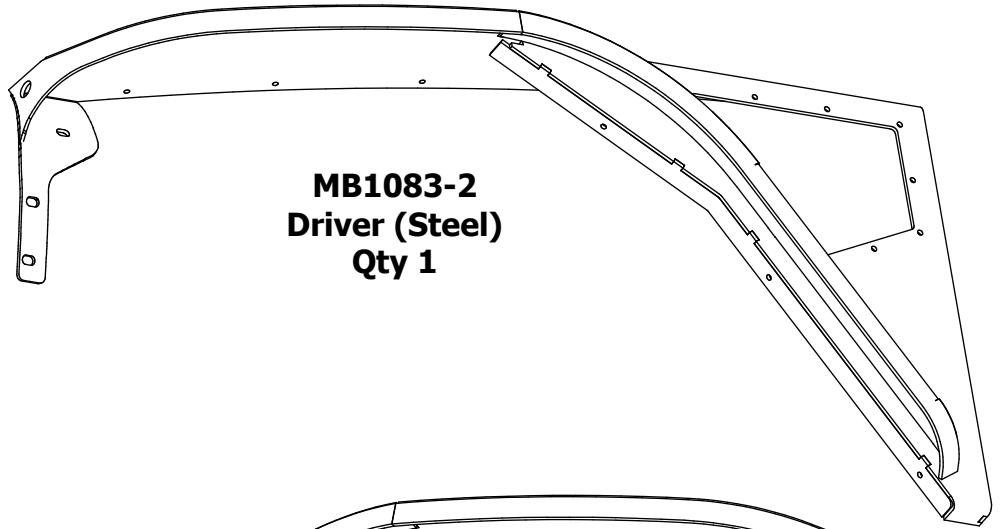
CONTENTS - STEEL VERSION



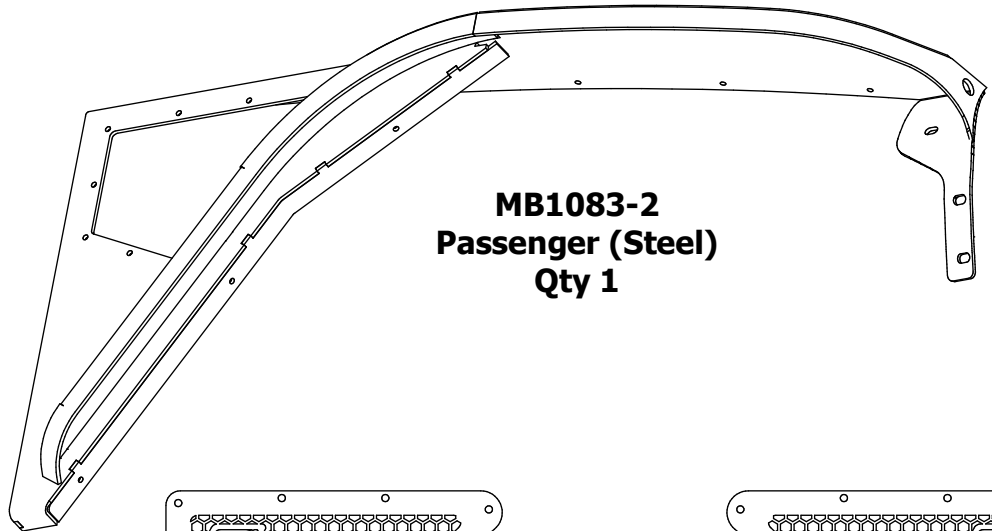
MB1083-BA
Battery Support (Steel)
Qty 1



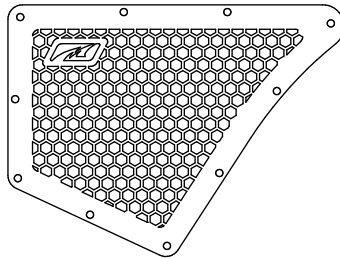
MB1083-BA
Fender Support (Steel)
Qty 1



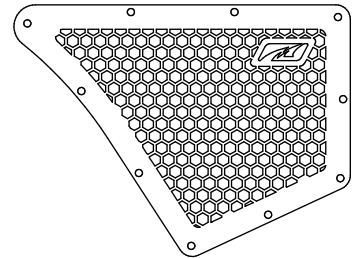
MB1083-2
Driver (Steel)
Qty 1



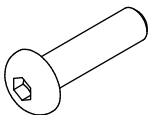
MB1083-2
Passenger (Steel)
Qty 1



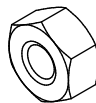
MB1083-VT-01
Vent Trim Passenger (Aluminum)
Qty 1



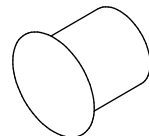
MB1083-VT-01
Vent Trim Driver (Aluminum)
Qty 1



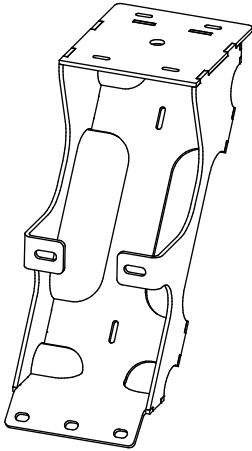
Round Head Screw
#10-24 x 3/4"
Qty 22
(Includes 2 Spares)



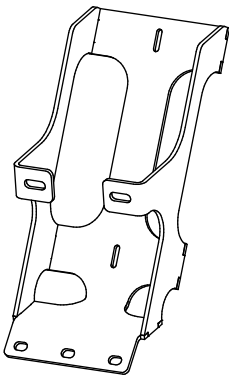
Nylock Nut
#10-24
Qty 22
(Includes 2 Spares)



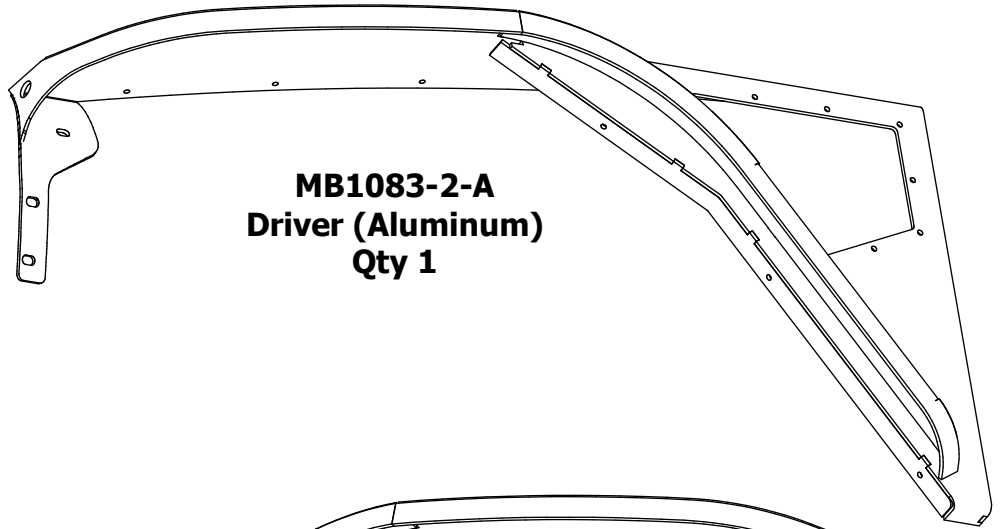
MB6500
LED Side Marker Light
Amber
Qty 2

MB1083-2 TJ Highline Front Fender 2" Offset**CONTENTS - ALUMINUM VERSION**

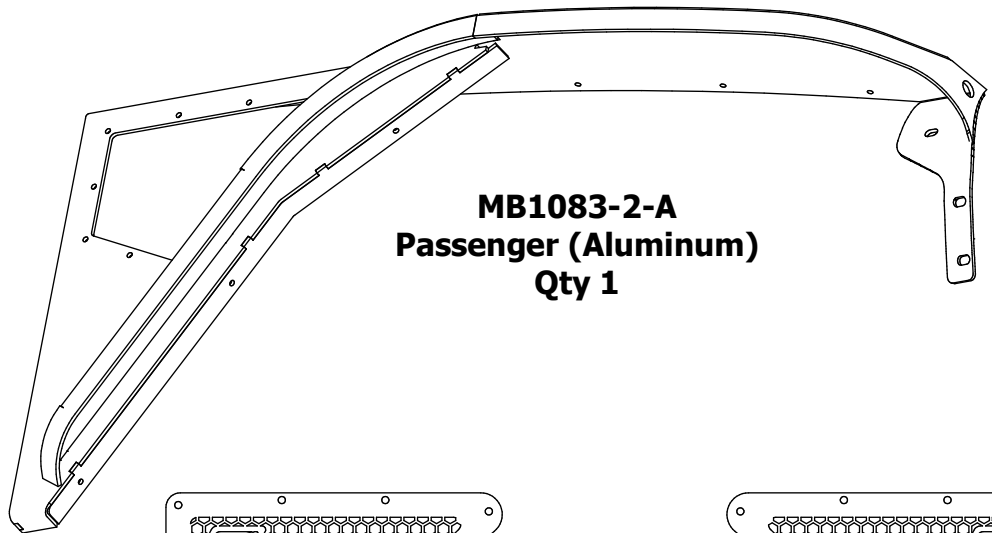
MB1083-BA
Battery Support (Steel)
Qty 1



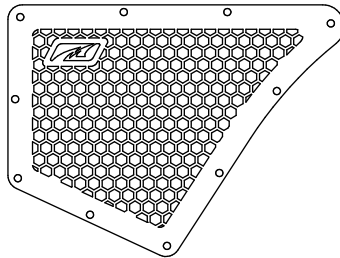
MB1083-BA
Fender Support (Steel)
Qty 1



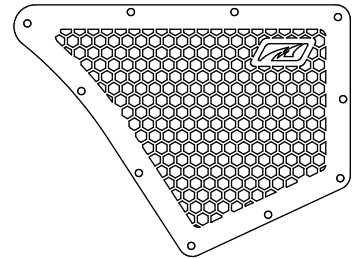
MB1083-2-A
Driver (Aluminum)
Qty 1



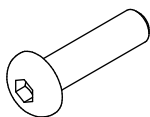
MB1083-2-A
Passenger (Aluminum)
Qty 1



MB1083-VT-01
Vent Trim Passenger (Aluminum)
Qty 1



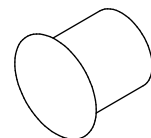
MB1083-VT-01
Vent Trim Driver (Aluminum)
Qty 1



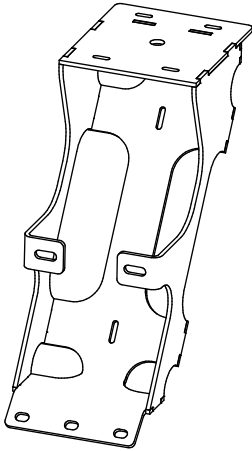
Round Head Screw
#10-24 x 3/4"
Qty 22
(Includes 2 Spares)



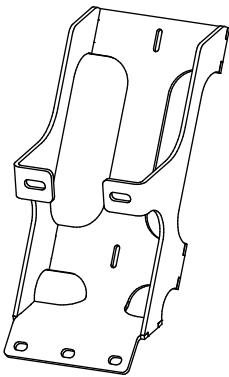
Nylock Nut
#10-24
Qty 22
(Includes 2 Spares)



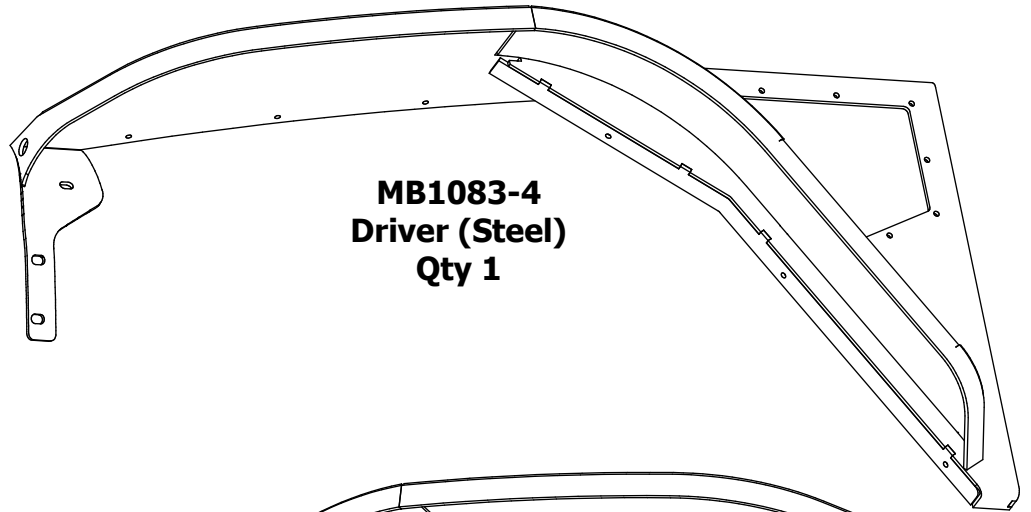
MB6500
LED Side Marker Light
Amber
Qty 2

MB1083-4 TJ Highline Front Fender 4" Offset**CONTENTS - STEEL VERSION**

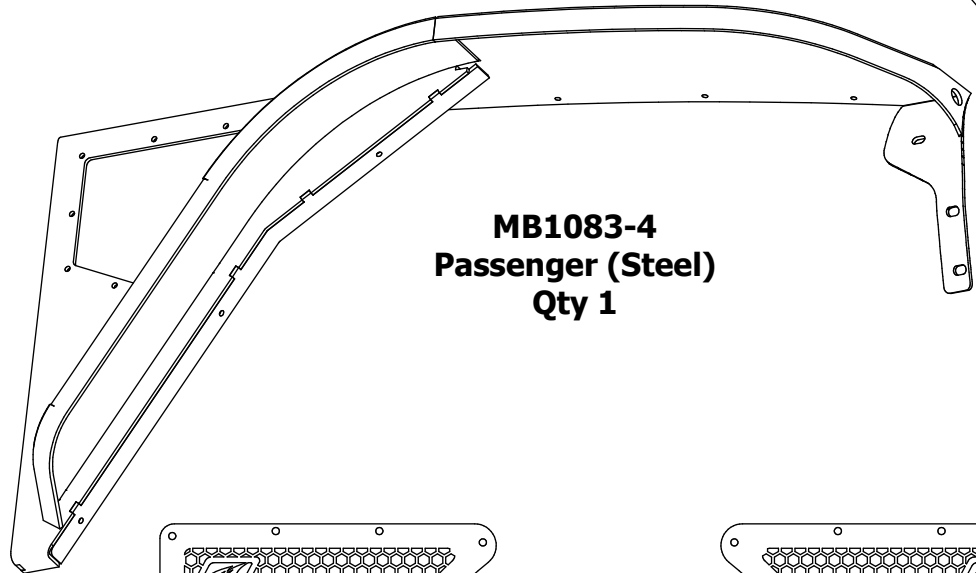
MB1083-BA
Battery Support (Steel)
Qty 1



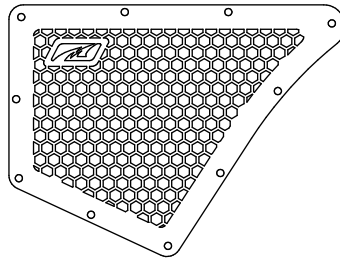
MB1083-BA
Fender Support (Steel)
Qty 1



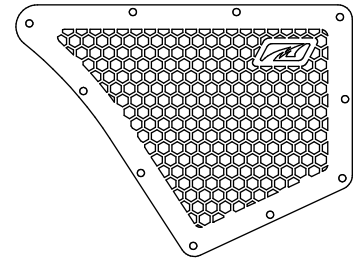
MB1083-4
Driver (Steel)
Qty 1



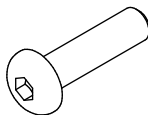
MB1083-4
Passenger (Steel)
Qty 1



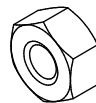
MB1083-VT-01
Vent Trim Passenger (Aluminum)
Qty 1



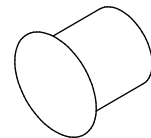
MB1083-VT-01
Vent Trim Driver (Aluminum)
Qty 1



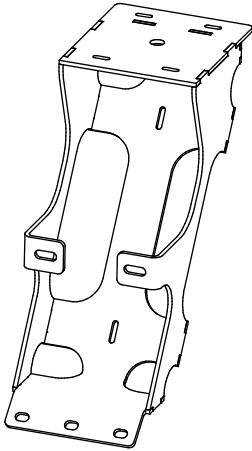
Round Head Screw
#10-24 x 3/4"
Qty 22
(Includes 2 Spares)



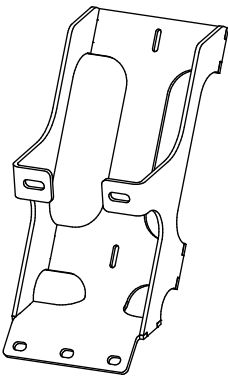
Nylock Nut
#10-24
Qty 22
(Includes 2 Spares)



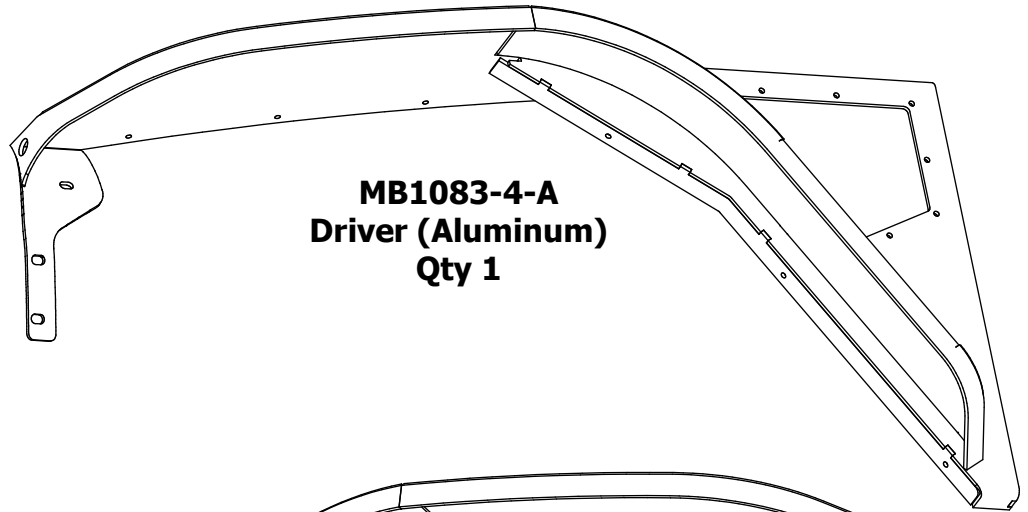
MB6500
LED Side Marker Light
Amber
Qty 2

MB1083-4 TJ Highline Front Fender 4" Offset**CONTENTS - ALUMINUM VERSION**

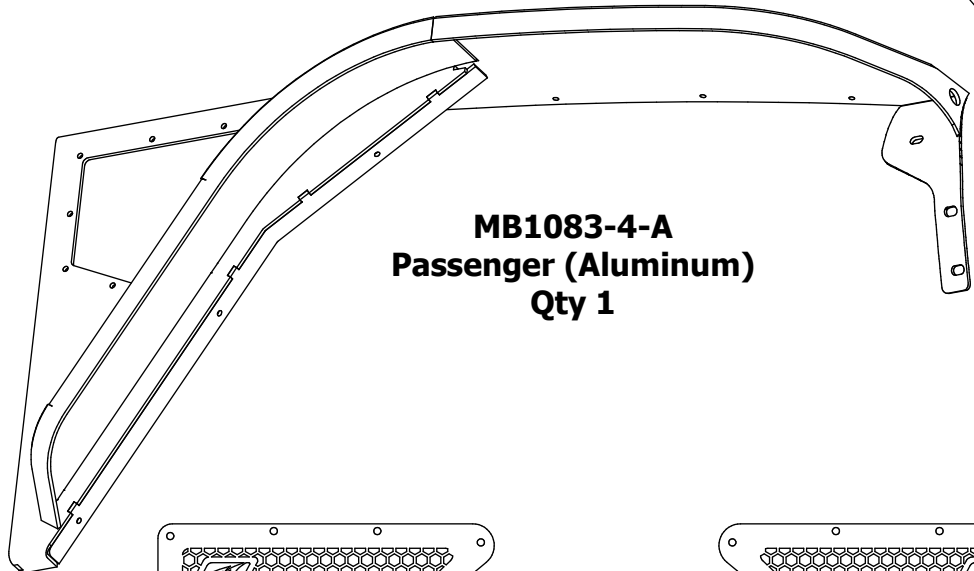
MB1083-BA
Battery Support (Steel)
Qty 1



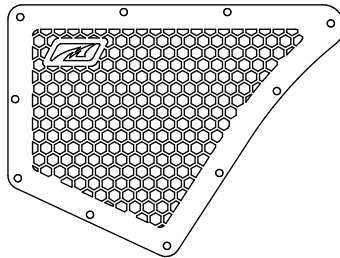
MB1083-BA
Fender Support (Steel)
Qty 1



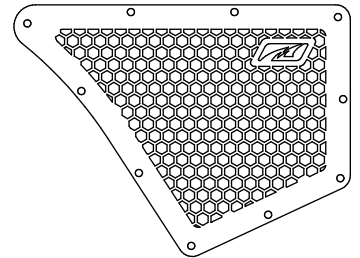
MB1083-4-A
Driver (Aluminum)
Qty 1



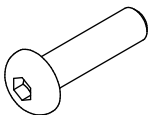
MB1083-4-A
Passenger (Aluminum)
Qty 1



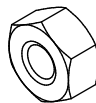
MB1083-VT-01
Vent Trim Passenger (Aluminum)
Qty 1



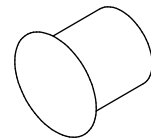
MB1083-VT-01
Vent Trim Driver (Aluminum)
Qty 1



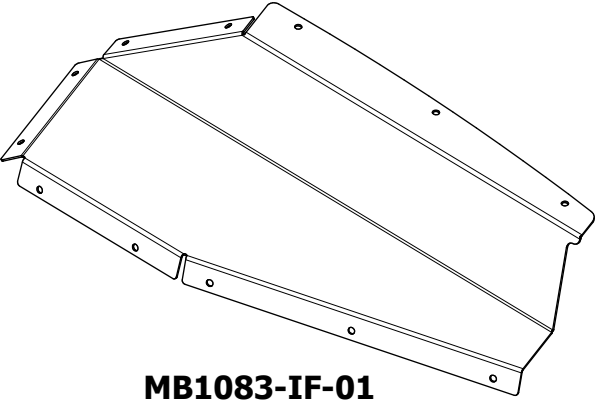
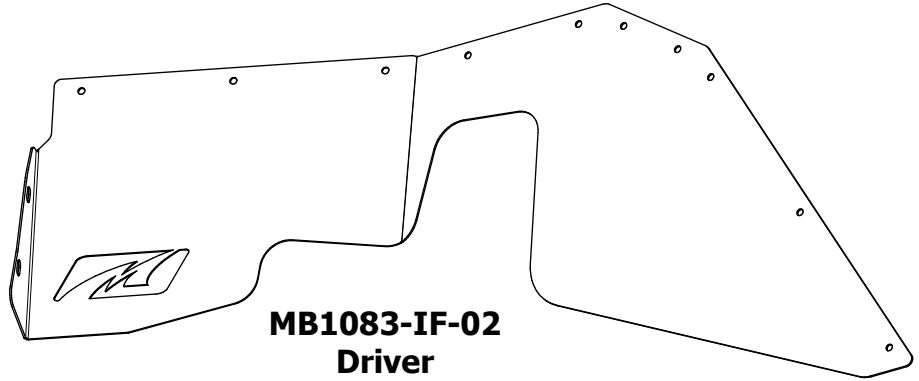
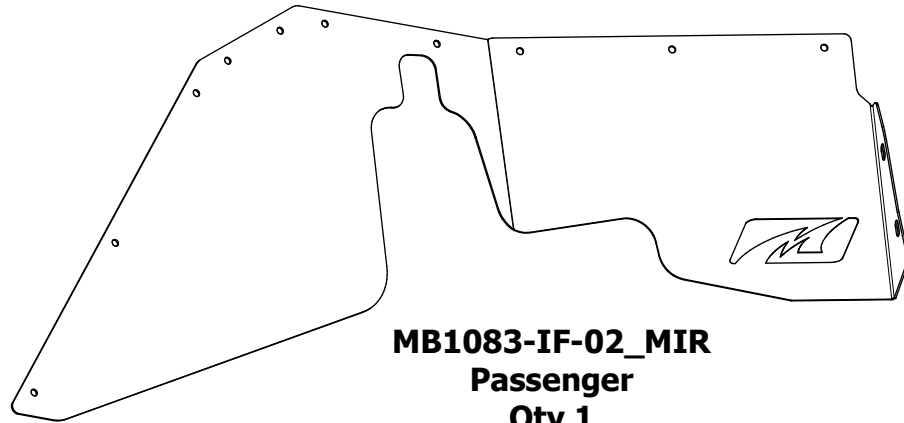
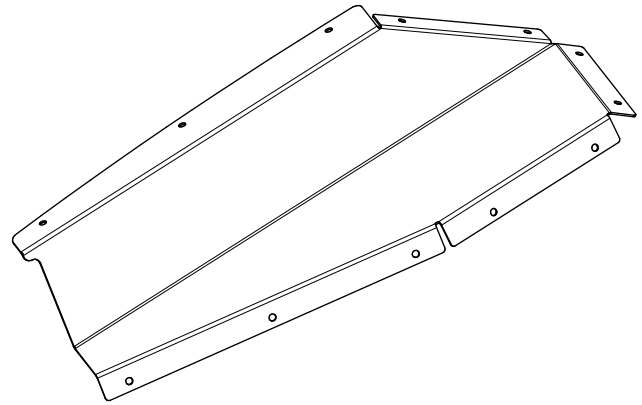
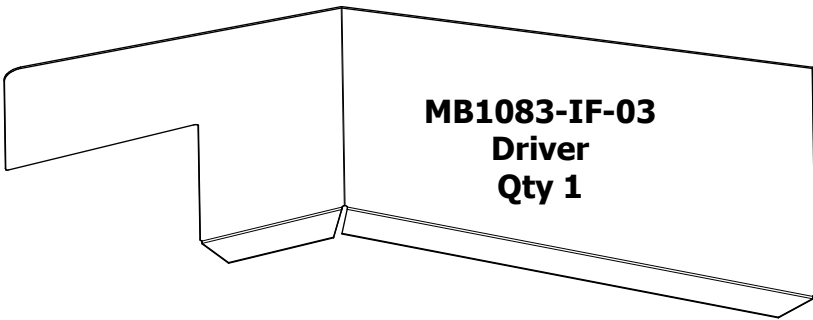
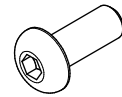
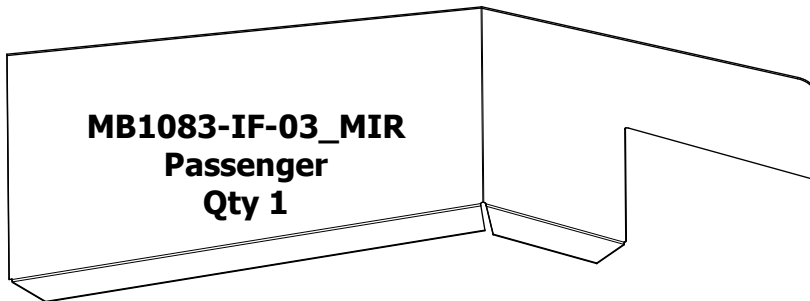
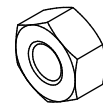
Round Head Screw
#10-24 x 3/4"
Qty 22
(Includes 2 Spares)

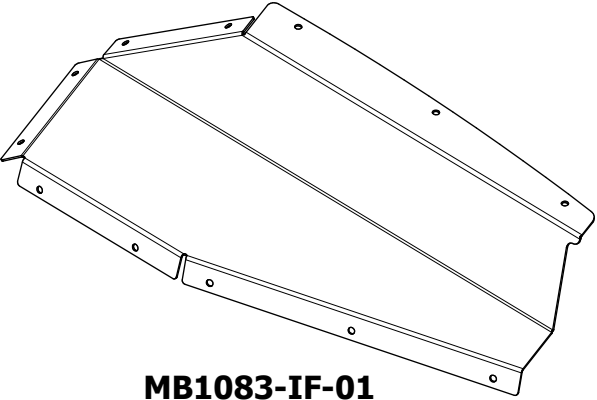


Nylock Nut
#10-24
Qty 22
(Includes 2 Spares)

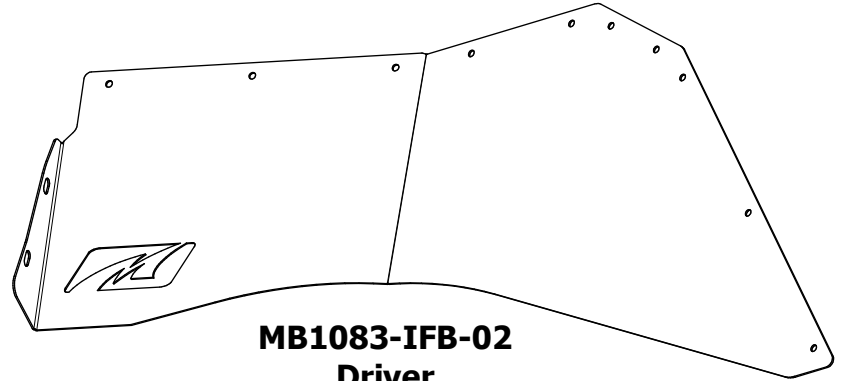


MB6500
LED Side Marker Light
Amber
Qty 2

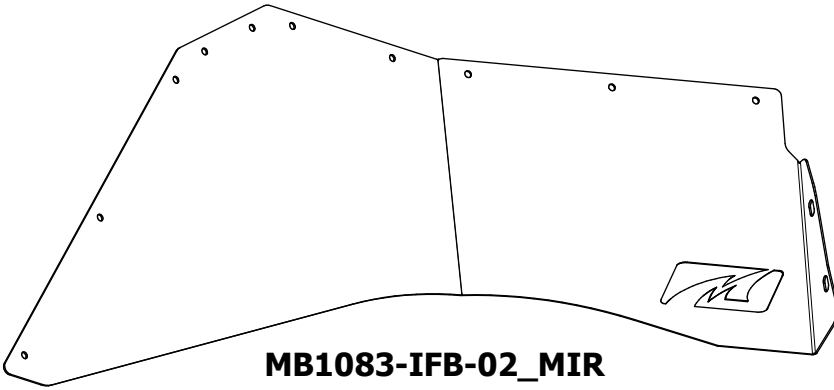
MB1083-IF TJ Highline Front Inner Fenders**CONTENTS**
MB1083-IF ALUMINUM INNER FENDER KIT**MB1083-IF-01**
Driver
Qty 1**MB1083-IF-02**
Driver
Qty 1**MB1083-IF-02_MIR**
Passenger
Qty 1**MB1083-IF-01_MIR**
Passenger
Qty 1**MB1083-IF-03**
Driver
Qty 1**Round Head Screw**
#10-24 x 1/2"
Qty 46
(Includes 2 Spares)**MB1083-IF-03_MIR**
Passenger
Qty 1**Nylock Nut**
#10-24
Qty 46
(Includes 2 Spares)

MB1083-IFB TJ HighLine Front Inner Fenders (Blank)**CONTENTS****MB1083-IFB ALUMINUM INNER FENDER KIT (Blank)**

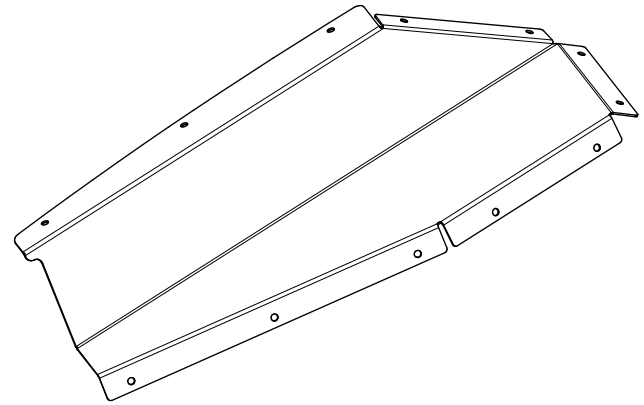
MB1083-IF-01
Driver
Qty 1



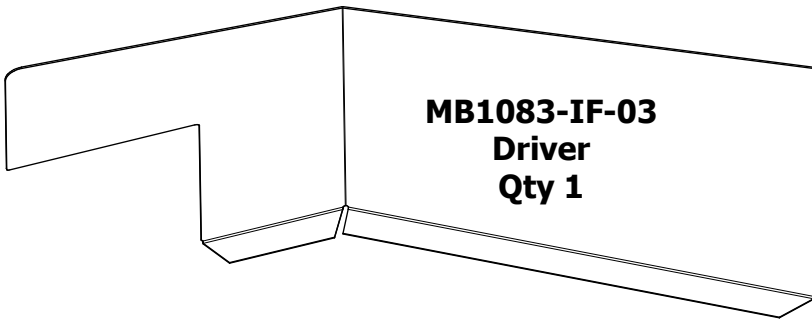
MB1083-IFB-02
Driver
Qty 1



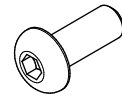
MB1083-IFB-02_MIR
Passenger
Qty 1



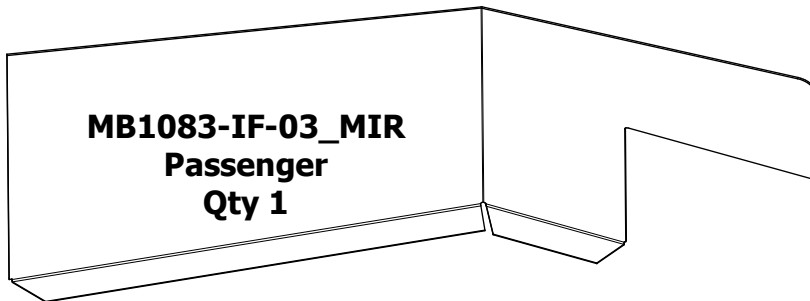
MB1083-IF-01_MIR
Passenger
Qty 1



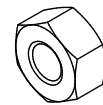
MB1083-IF-03
Driver
Qty 1



Round Head Screw
#10-24 x 1/2"
Qty 46
(Includes 2 Spares)



MB1083-IF-03_MIR
Passenger
Qty 1

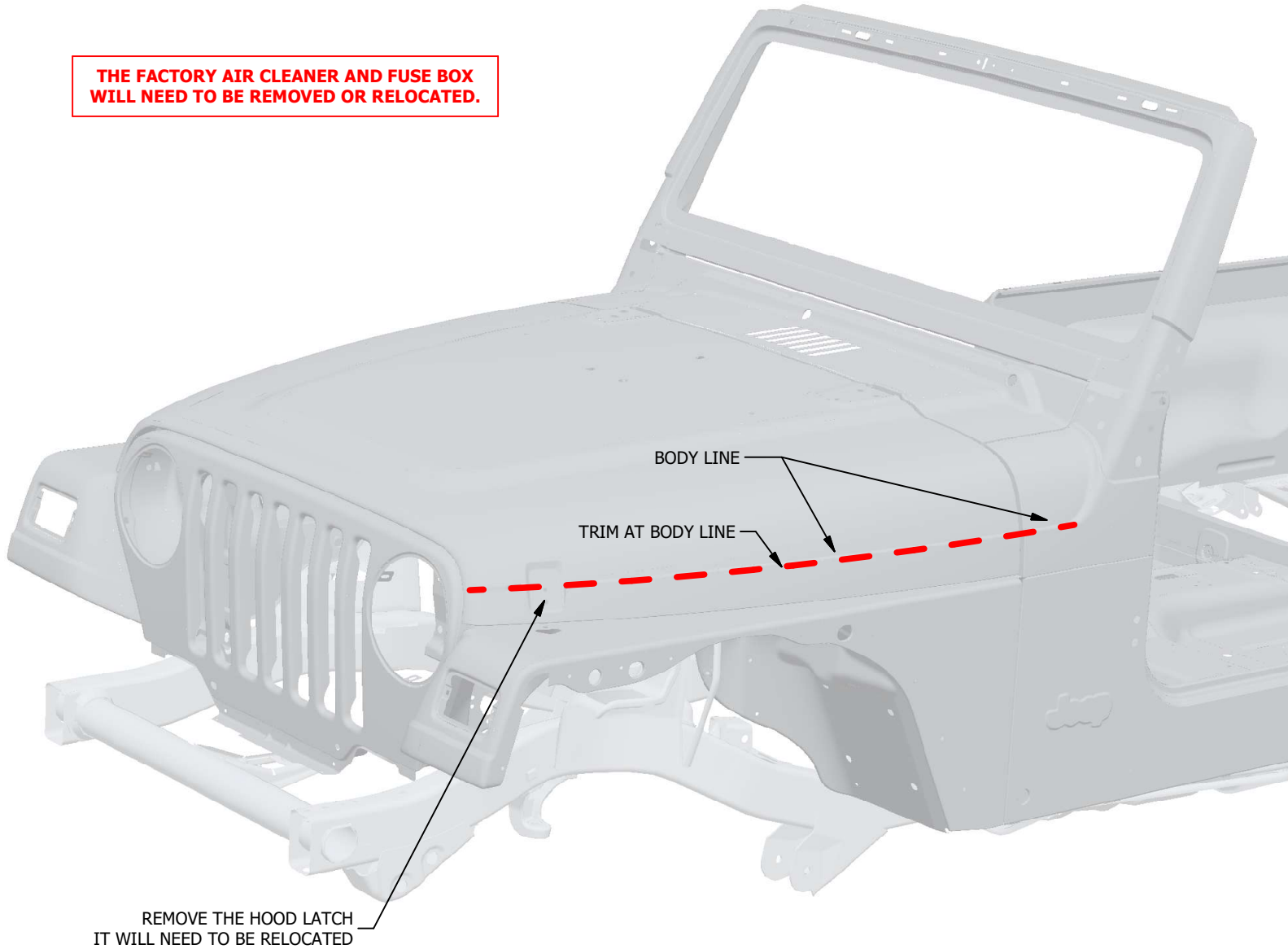


Nylock Nut
#10-24
Qty 46
(Includes 2 Spares)

MB1083 - Assembly Instructions High Line Flat Fender and Inner Fender

**STEP 1
Trimming the Hood**

THE FACTORY AIR CLEANER AND FUSE BOX WILL NEED TO BE REMOVED OR RELOCATED.



TRIM THE HOOD AT THE BODY LINE THAT STARTS AT THE COWL AND EXTENDS TO THE FRONT OF THE HOOD. YOU MAY WANT TO LEAVE SOME EXTRA MATERIAL AT THE BOTTOM OF THE HOOD TO TRIM LATER ON WHEN THE MOTOBILT FENDERS ARE FINALLY ATTACHED. THIS WILL ENSURE THE BODY GAP BETWEEN THE HOOD AND FENDERS WILL BE IDEAL.

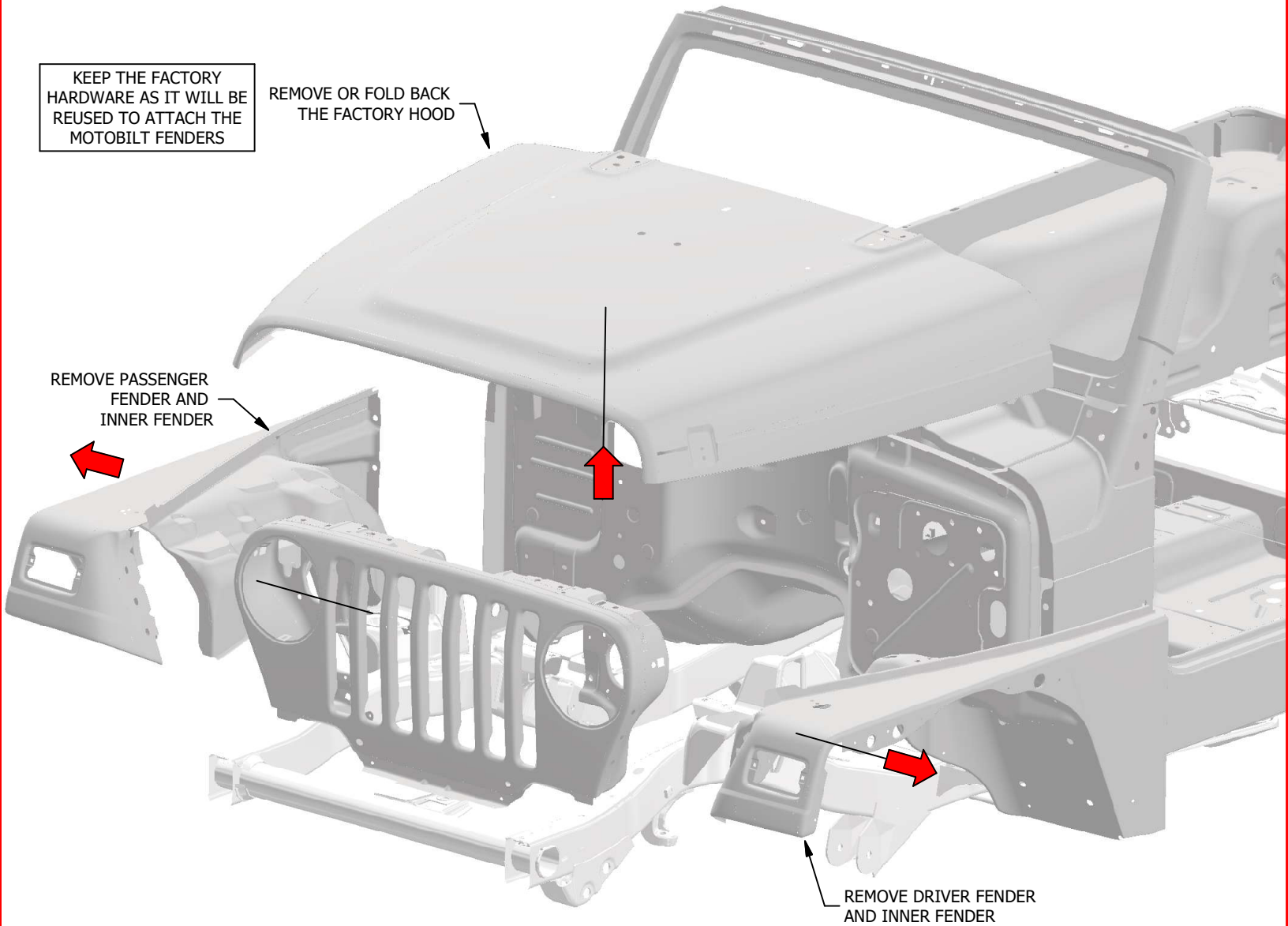
MB1083 - Assembly Instructions High Line Flat Fender and Inner Fender**STEP 2
Factory Fender & Hood Removal**

KEEP THE FACTORY
HARDWARE AS IT WILL BE
REUSED TO ATTACH THE
MOTOBILT FENDERS

REMOVE OR FOLD BACK
THE FACTORY HOOD

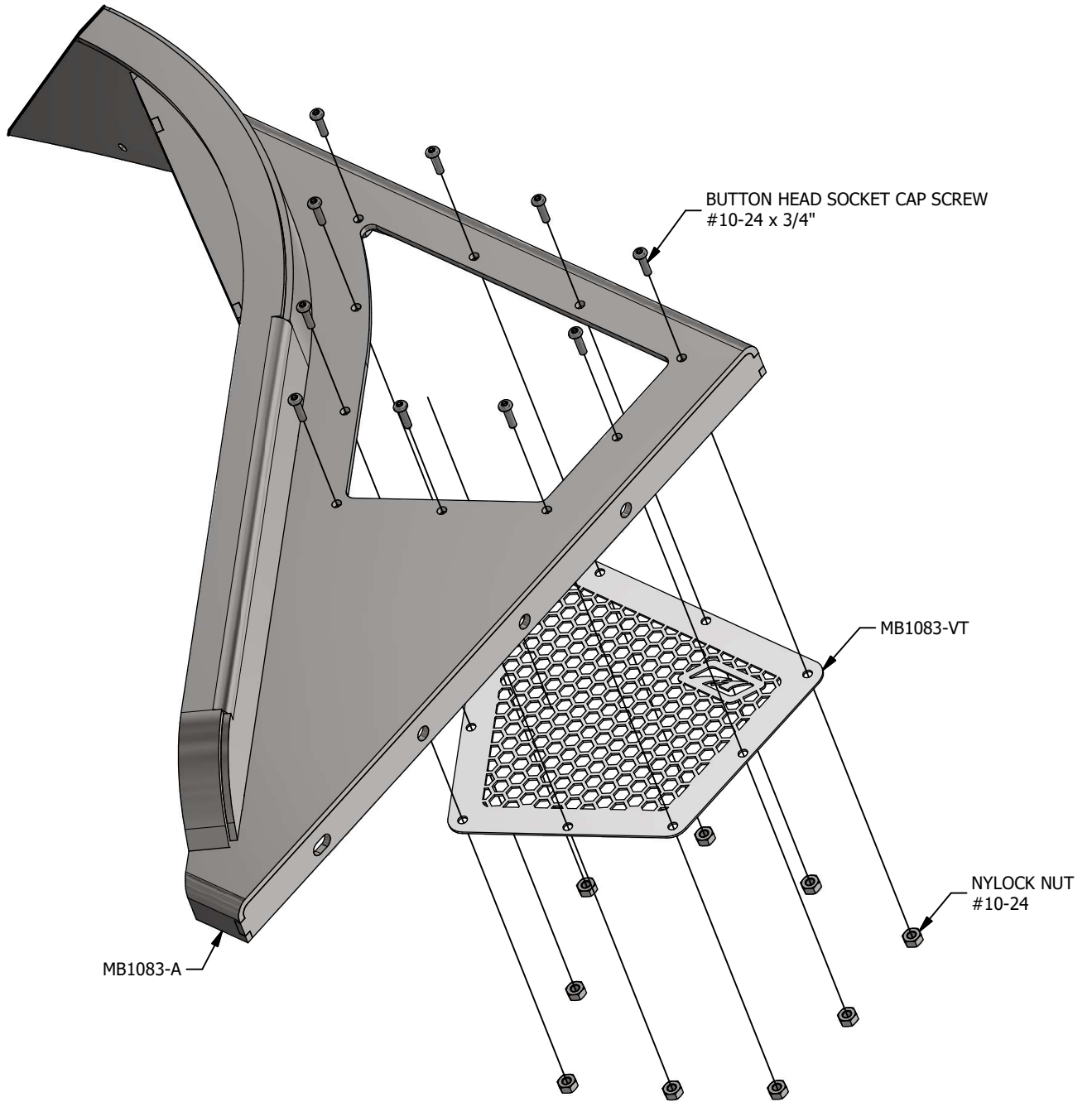
REMOVE PASSENGER
FENDER AND
INNER FENDER

REMOVE DRIVER FENDER
AND INNER FENDER



MB1083 - Assembly Instructions High Line Flat Fender and Inner Fender

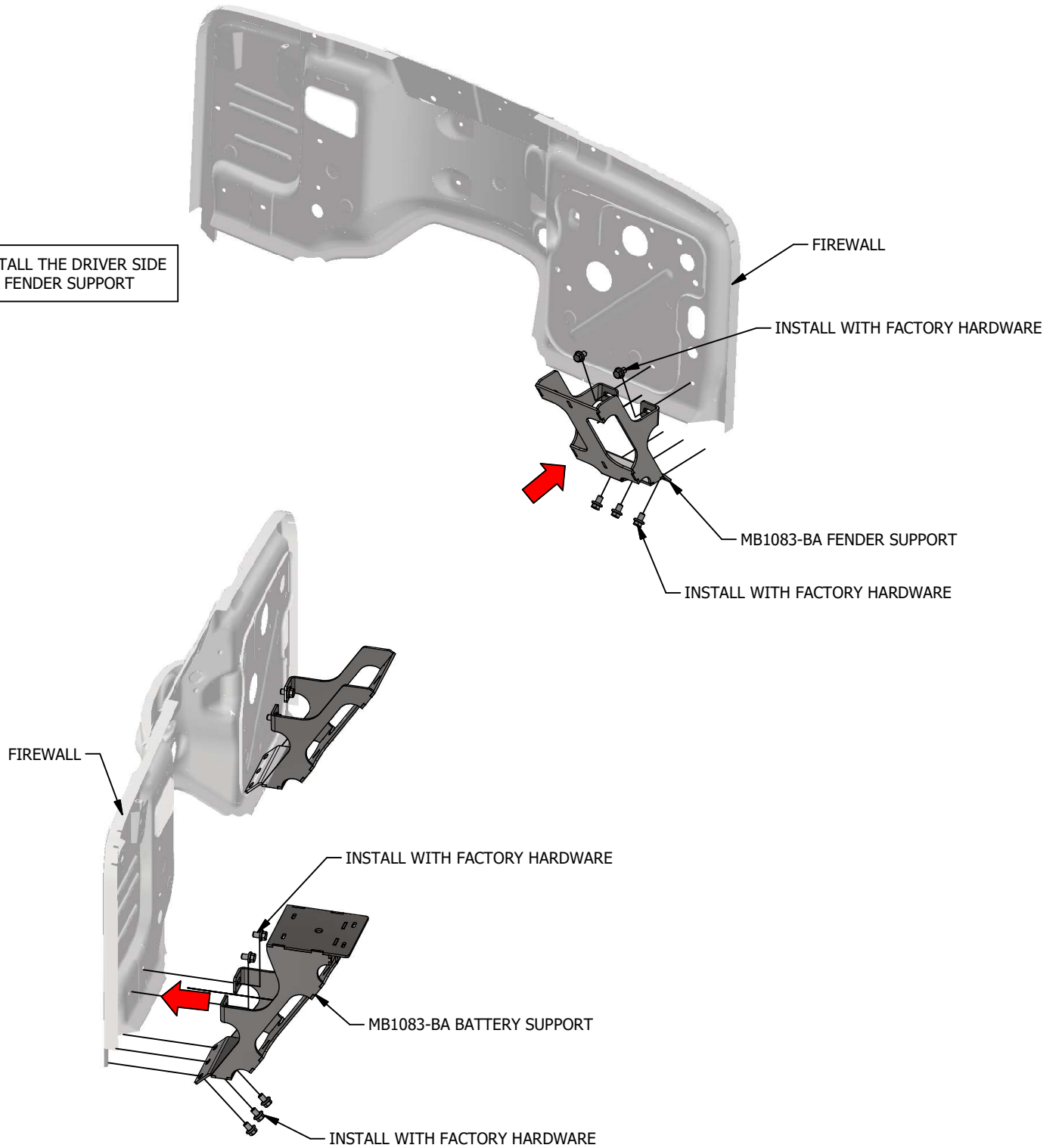
STEP 3
Fender Pre-Assembly



MB1083 - Assembly Instructions High Line Flat Fender and Inner Fender

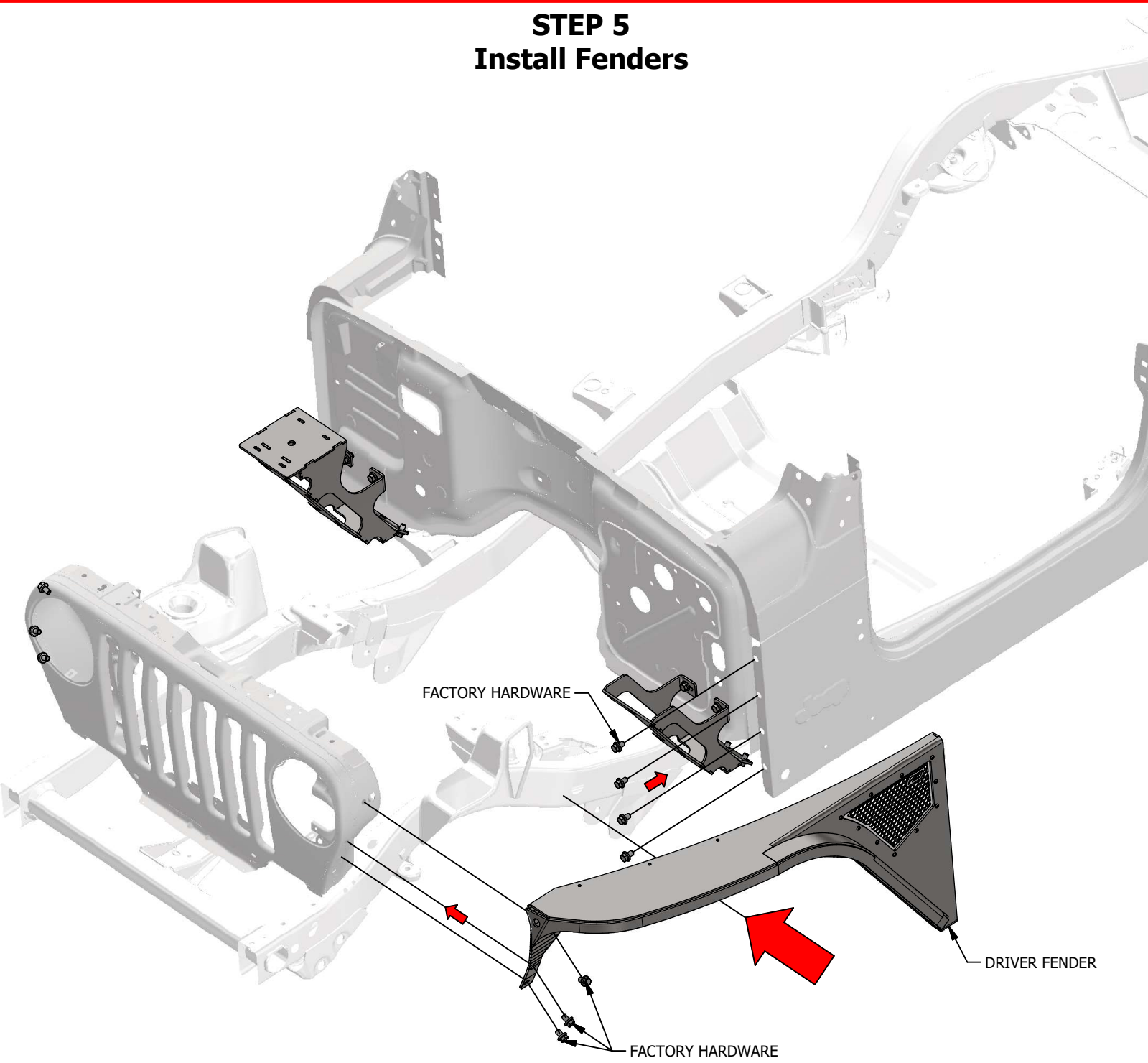
STEP 4
Install Fender Supports

INSTALL THE DRIVER SIDE
FENDER SUPPORT



MB1083 - Assembly Instructions High Line Flat Fender and Inner Fender

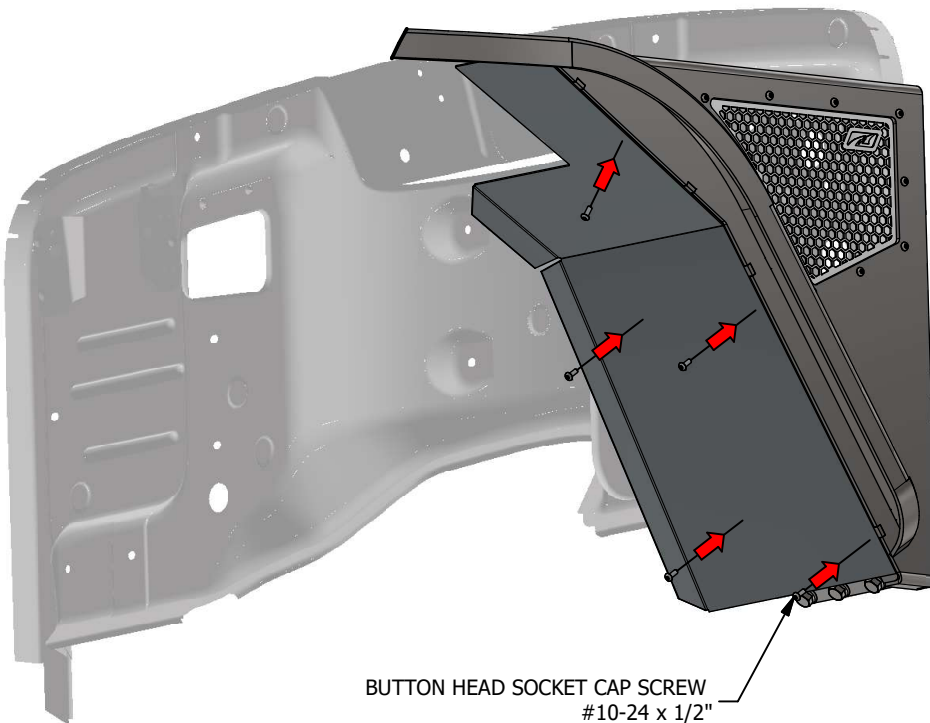
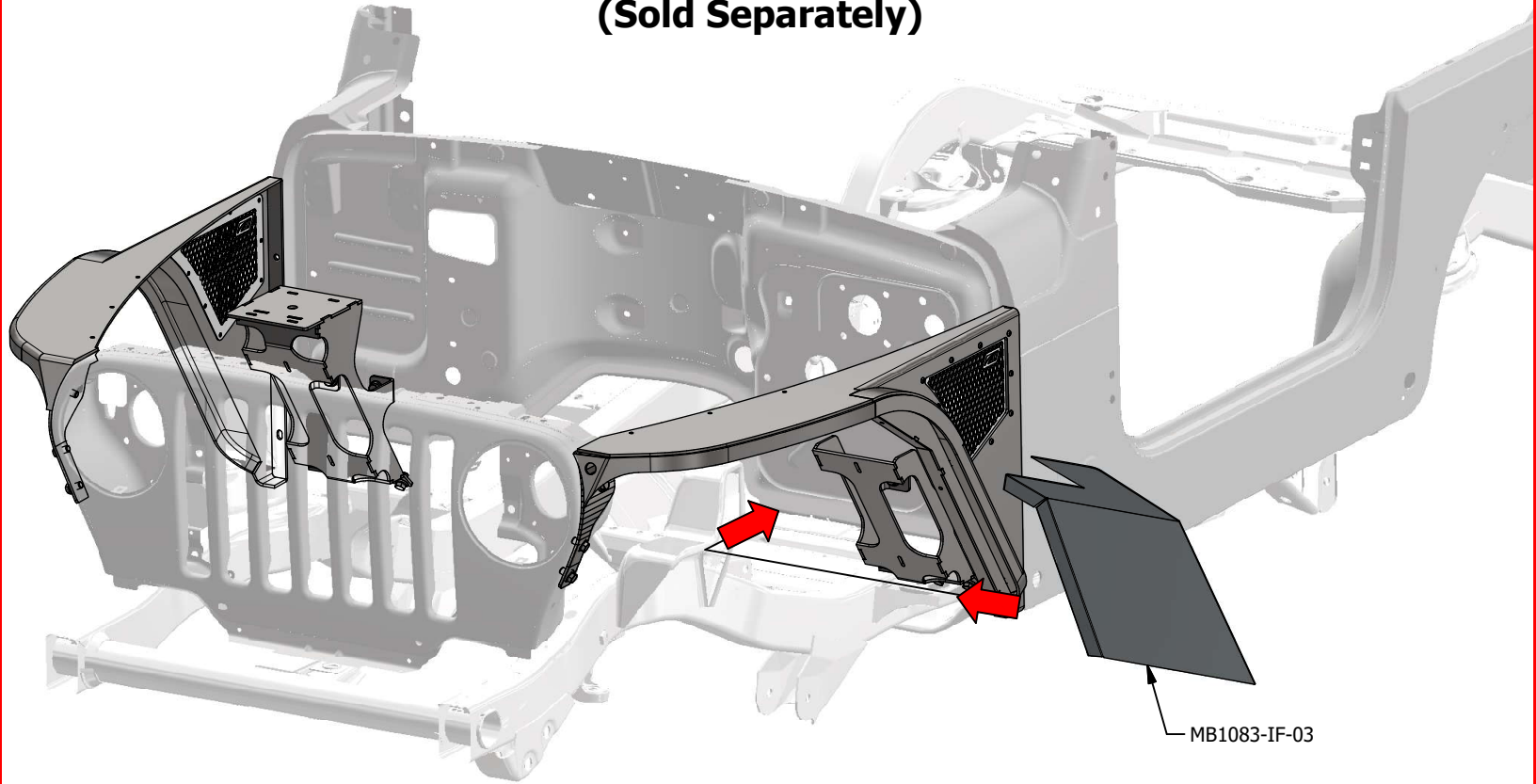
**STEP 5
Install Fenders**



INSTALL THE NEW FENDER USING THE FACTORY HARDWARE IN THE FACTORY LOCATION. REPEAT THIS STEP ON THE PASSENGER SIDE

MB1083 - Assembly Instructions High Line Flat Fender and Inner Fender

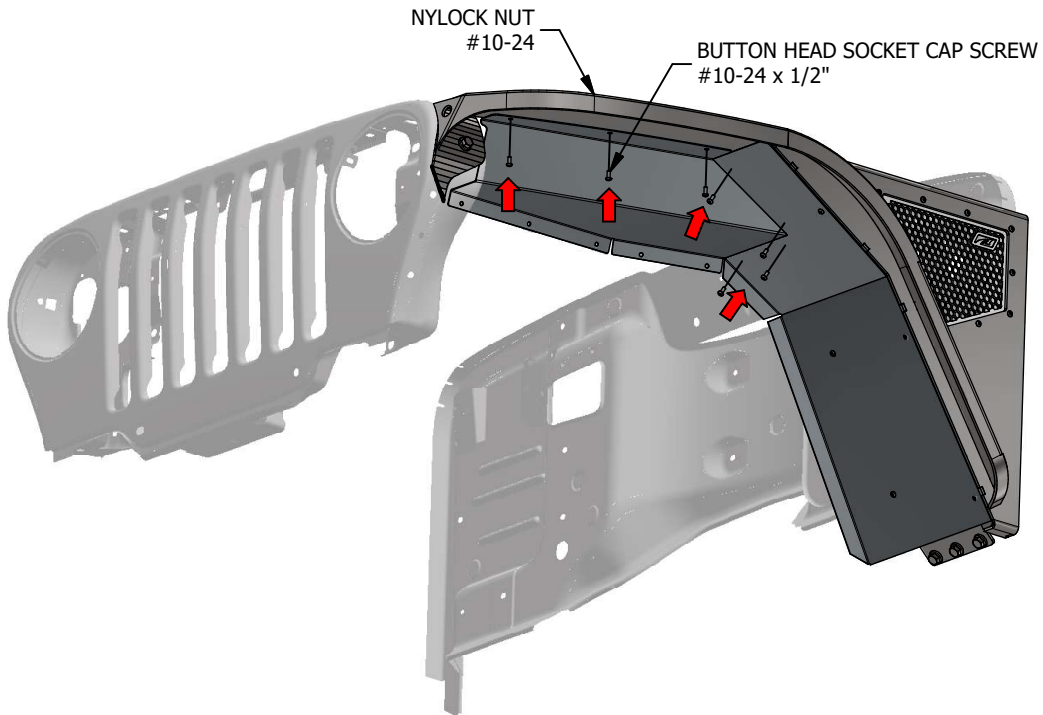
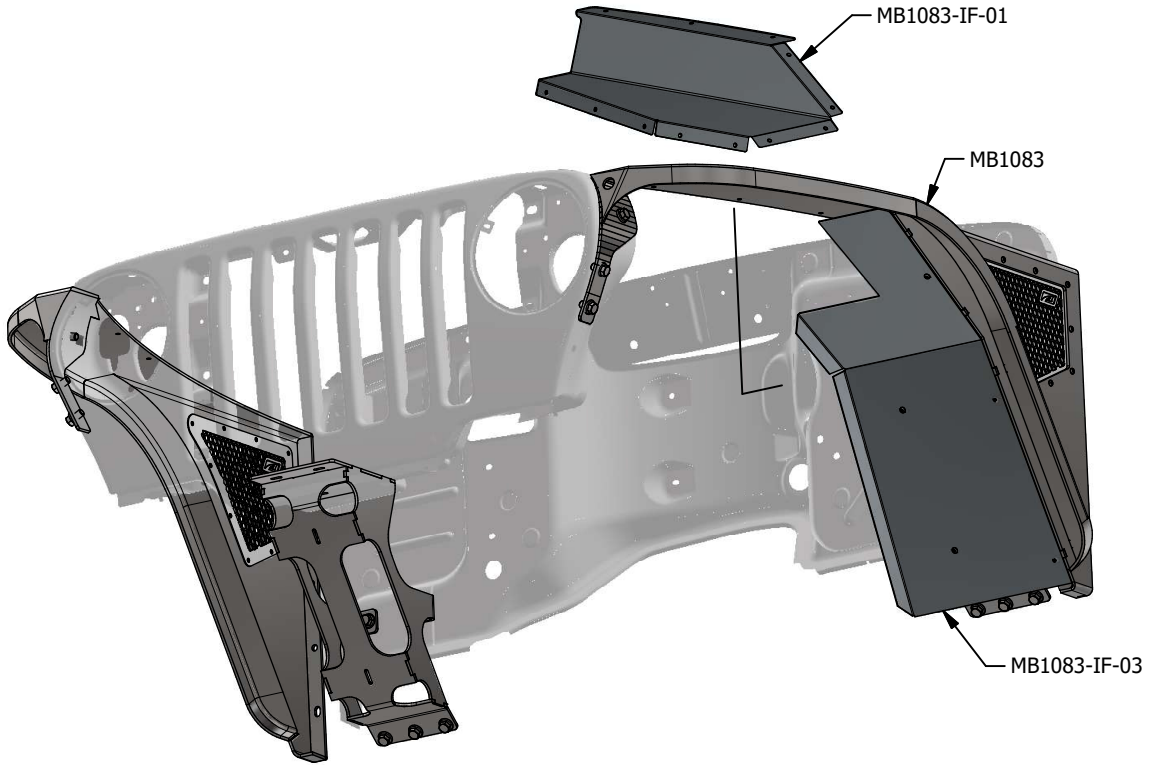
STEP 6
Install Inner Fenders
(Sold Separately)



INSTALL THE MB1083-IF-03 INNER FENDER WITH #10 BUTTON HEAD SOCKET CAP SCREWS WITH #10 NYLOCK NUTS.

MB1083 - Assembly Instructions High Line Flat Fender and Inner Fender

STEP 7
Install Inner Fenders
(Sold Separately)



MB1083 - Assembly Instructions High Line Flat Fender and Inner Fender

STEP 8
Install Inner Fenders
(Sold Separately)

NOTE: THE AIR FILTER BOX AND FUSE BOX WILL NEED TO BE RELOCATED OR REMOUNTED ON THE NEW INNER FENDER.

