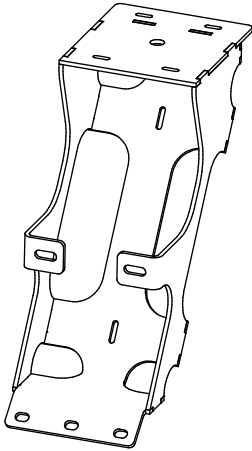
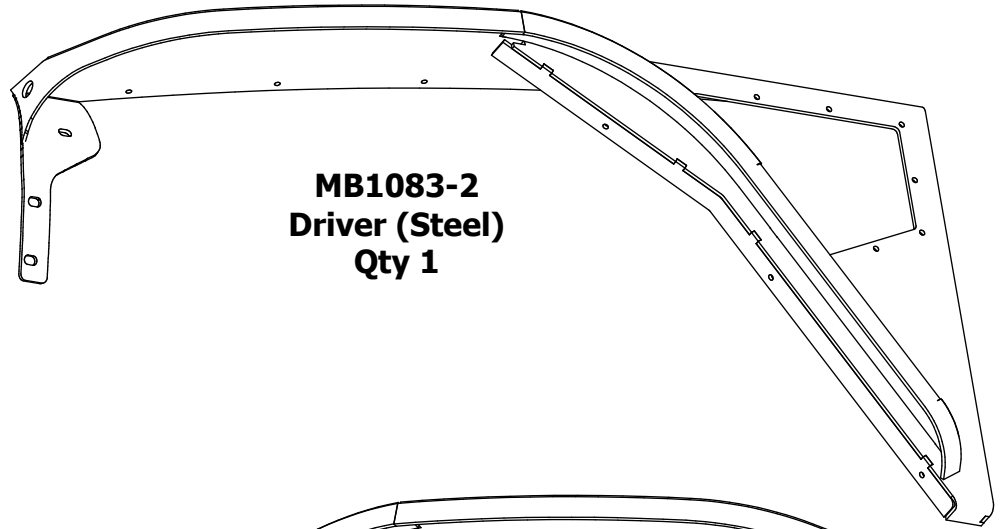
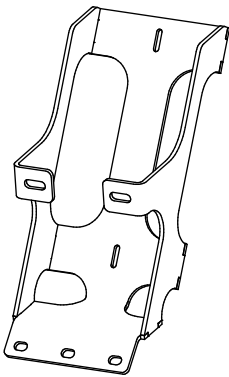


MB1083-2 TJ Highline Front Fender 2" Offset**CONTENTS - STEEL VERSION**

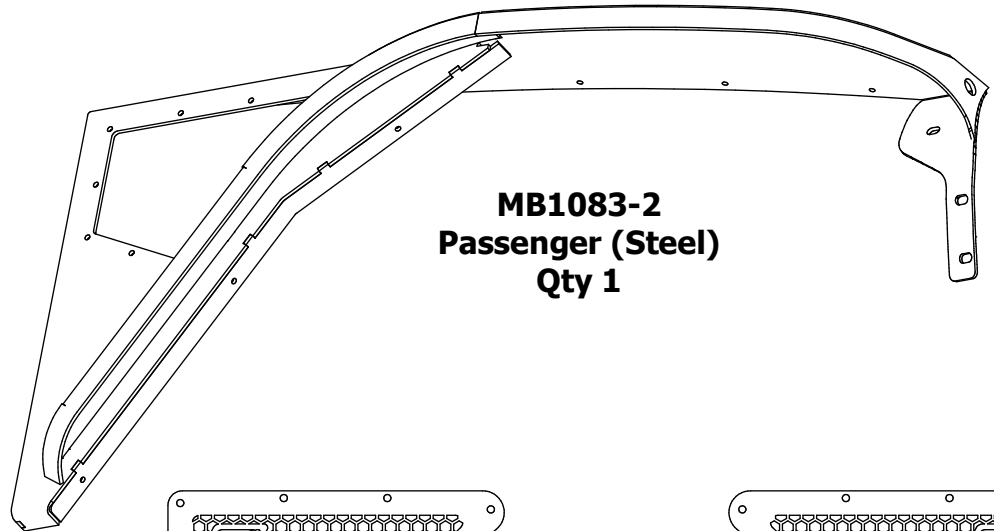
**MB1083-BA
Battery Support (Steel)
Qty 1**



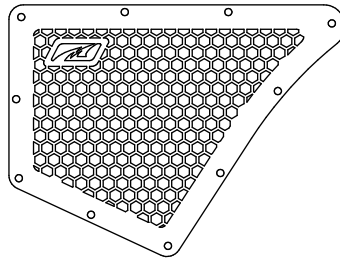
**MB1083-2
Driver (Steel)
Qty 1**



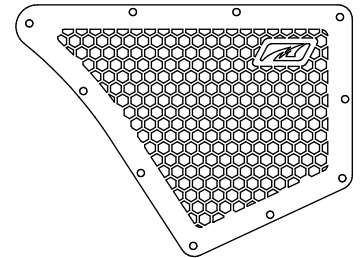
**MB1083-BA
Fender Support (Steel)
Qty 1**



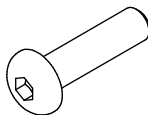
**MB1083-2
Passenger (Steel)
Qty 1**



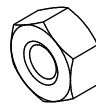
**MB1083-VT-01
Vent Trim Passenger (Aluminum)
Qty 1**



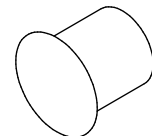
**MB1083-VT-01
Vent Trim Driver (Aluminum)
Qty 1**



**Round Head Screw
#10-24 x 3/4"
Qty 22
(Includes 2 Spares)**



**Nylock Nut
#10-24
Qty 22
(Includes 2 Spares)**



**MB6500
LED Side Marker Light
Amber
Qty 2**