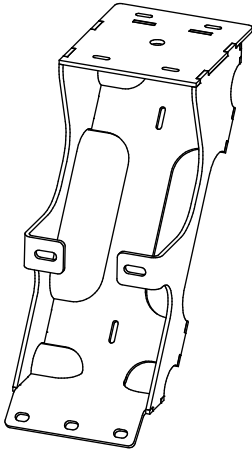
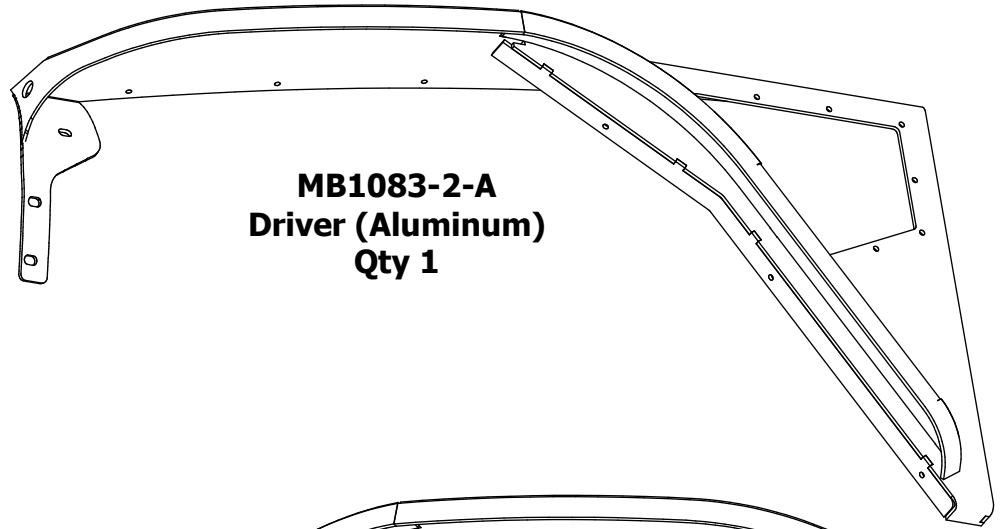


**MB1083-2 TJ Highline Front Fender 2" Offset**

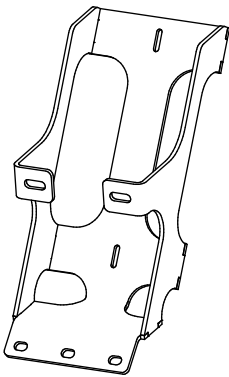
**CONTENTS - ALUMINUM VERSION**



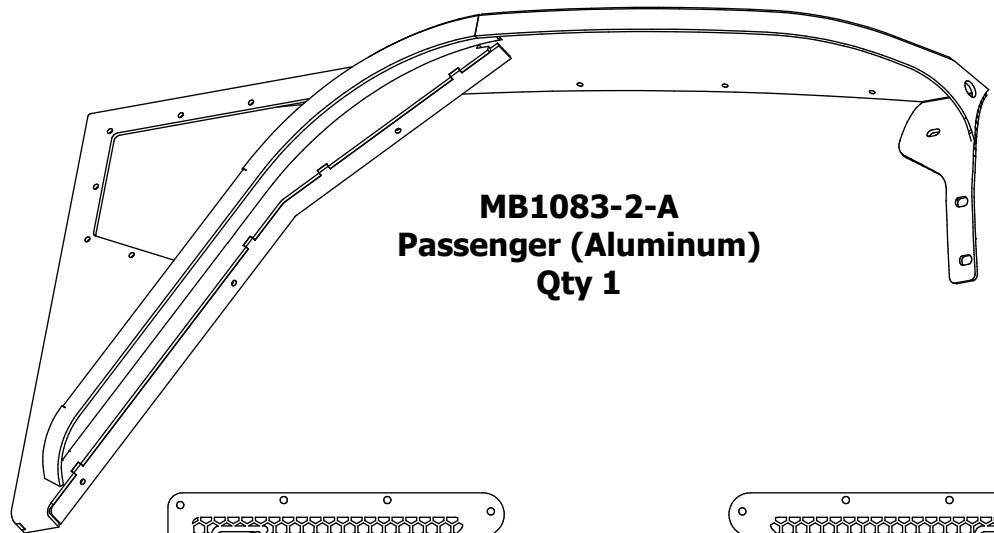
**MB1083-BA  
Battery Support (Steel)  
Qty 1**



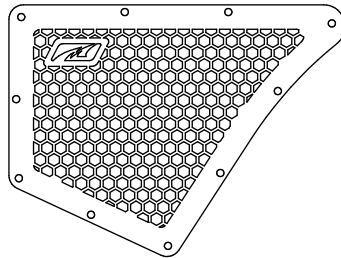
**MB1083-2-A  
Driver (Aluminum)  
Qty 1**



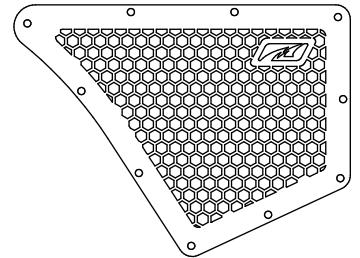
**MB1083-BA  
Fender Support (Steel)  
Qty 1**



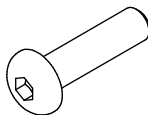
**MB1083-2-A  
Passenger (Aluminum)  
Qty 1**



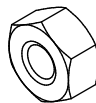
**MB1083-VT-01  
Vent Trim Passenger (Aluminum)  
Qty 1**



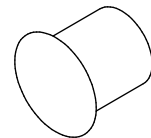
**MB1083-VT-01  
Vent Trim Driver (Aluminum)  
Qty 1**



**Round Head Screw  
#10-24 x 3/4"  
Qty 22  
(Includes 2 Spares)**



**Nylock Nut  
#10-24  
Qty 22  
(Includes 2 Spares)**



**MB6500  
LED Side Marker Light  
Amber  
Qty 2**