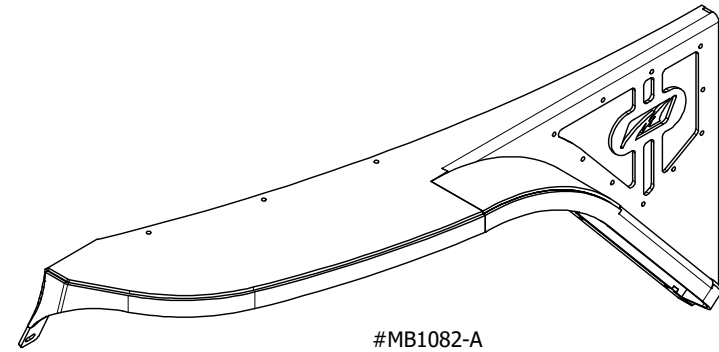
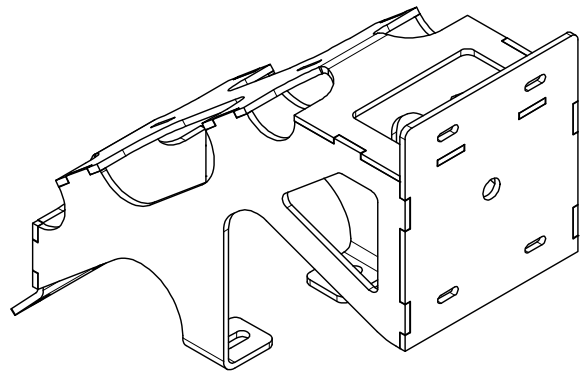


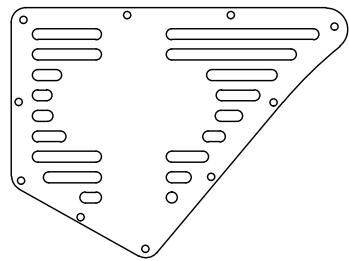
#MB1082-A
(PASSENGER)
QTY 1



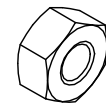
#MB1082-A
(DRIVER)
QTY 1



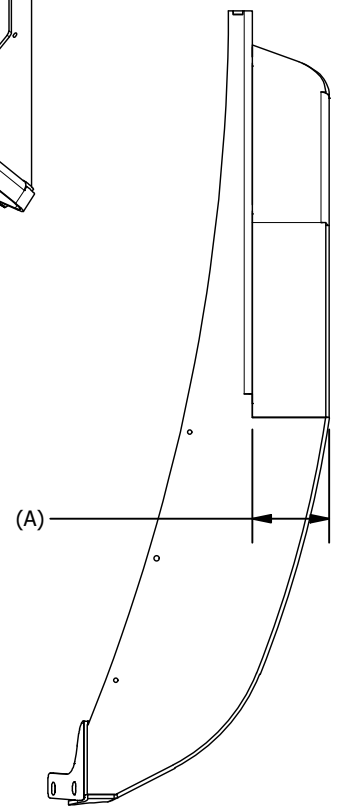
#MB1082-BA BATTERY SUPPORT
QTY 1



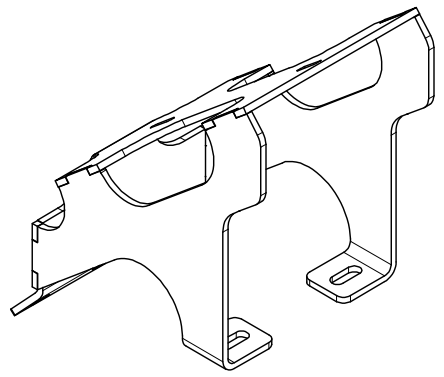
#MB1082-VT
VENTED SIDE PLATE
QTY 2



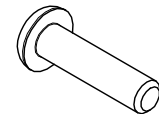
NYLOCK HEX NUT ZINC
#10-24
QTY 20



DIM A	
PART #	FENDER OFFSET
MB1082-0	A = 0"
MB1082-2	A = 2"
MB1082-4	A = 4"
MB1082-6	A = 6"



#MB1082-BA FENDER SUPPORT
QTY 1



BUTTON HEAD SOCKET CAP SCREW STAINLESS
#10-24 x 3/4"
QTY 20



Dwg/Part No:
MB1082 - Customer

Description:
TJ Front Fenders Stock

Sheet No: **1** of **1**
Rev No: **0**

Mat'l: