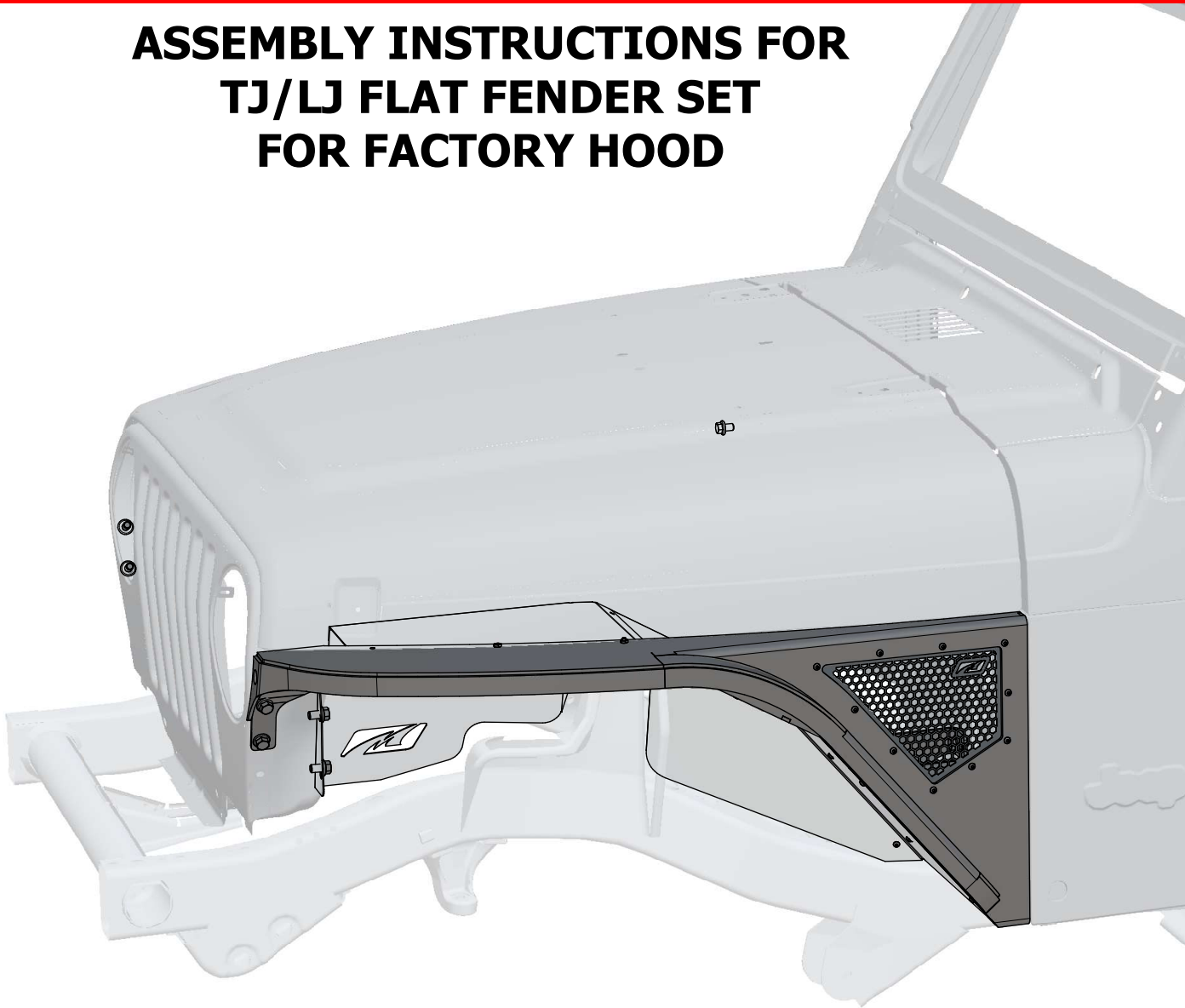


MB1082 - Assembly Instructions Flat Fender and Inner Fender**ASSEMBLY INSTRUCTIONS FOR
TJ/LJ FLAT FENDER SET
FOR FACTORY HOOD****NOTES:**

The assembly method is the same for ALL versions of this product. For simplicity, the 2" offset fender flare versions is shown.

The following sheets marked as "CONTENTS" explain how each version of this product is shipped. First identify which fender flare offset your ordered (either 0", 2" or 4" offset), then identify either STEEL or ALUMINUM to determine which "CONTENTS" sheet to use.

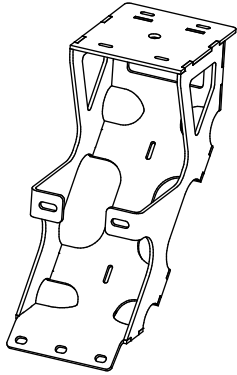
The following products are sold separately & NOT included with this product:

MB1082-IF Aluminum Inner Fender Kit (includes cutouts)

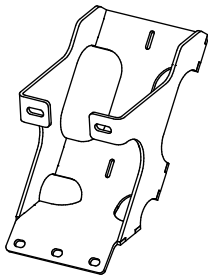
MB1082-IFB Aluminum Inner Fender Kit (blank - no cutouts)

MB1082-0 - Shipping TJ Stock Hood 0" Offset

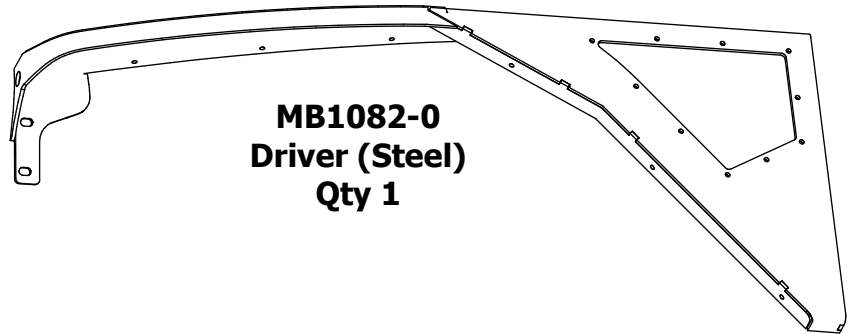
CONTENTS - STEEL VERSION



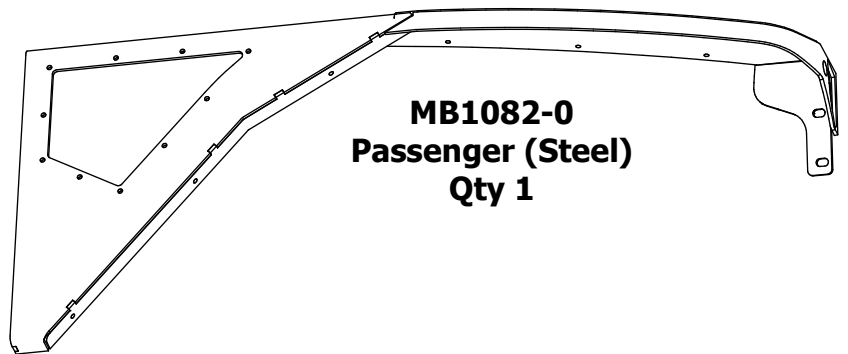
MB1082-BA
Battery Support (Steel)
Qty 1



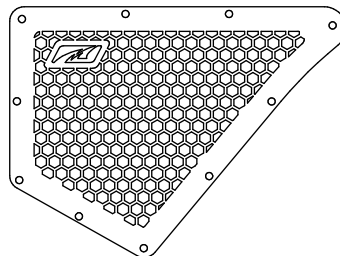
MB1082-BA
Fender Support (Steel)
Qty 1



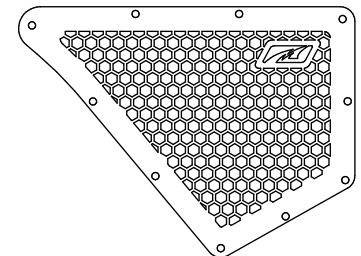
MB1082-0
Driver (Steel)
Qty 1



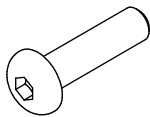
MB1082-0
Passenger (Steel)
Qty 1



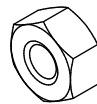
MB1082-VT-01_MIR
Vent Trim Passenger (Aluminum)
Qty 1



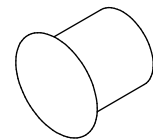
MB1082-VT-01
Vent Trim Driver (Aluminum)
Qty 1



Round Head Screw
#10-24 x 3/4"
Qty 22
(Includes 2 Spares)



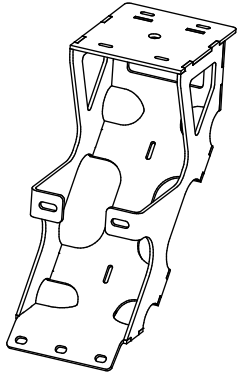
Nylock Nut
#10-24
Qty 22
(Includes 2 Spares)



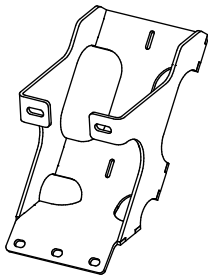
MB6500
LED Side Marker Light
Amber
Qty 2

MB1082-0 - Shipping TJ Stock Hood 0" Offset

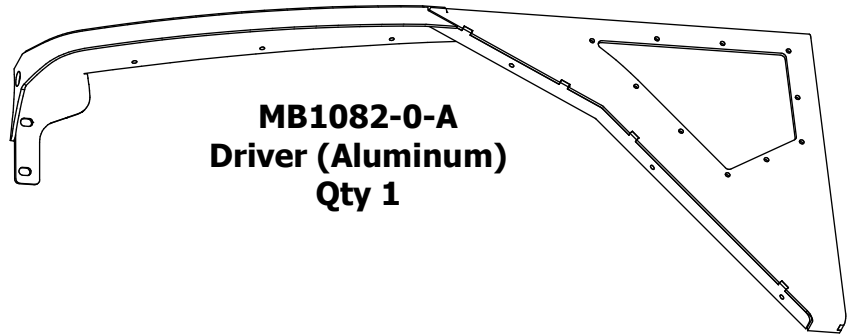
CONTENTS - ALUMINUM VERSION



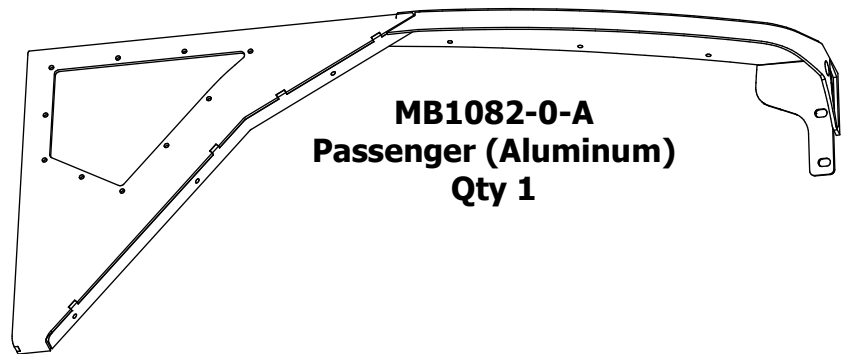
MB1082-BA
Battery Support (Steel)
Qty 1



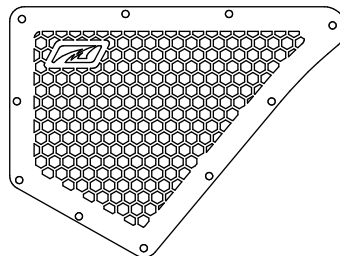
MB1082-BA
Fender Support (Steel)
Qty 1



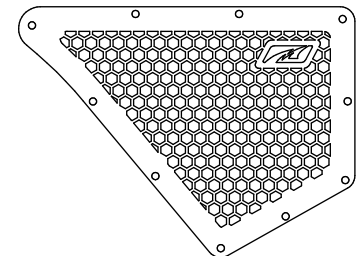
MB1082-0-A
Driver (Aluminum)
Qty 1



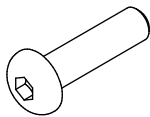
MB1082-0-A
Passenger (Aluminum)
Qty 1



MB1082-VT-01_MIR
Vent Trim Passenger (Aluminum)
Qty 1



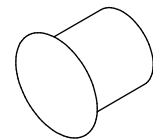
MB1082-VT-01
Vent Trim Driver (Aluminum)
Qty 1



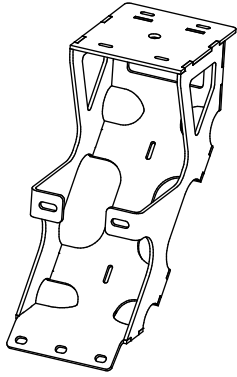
Round Head Screw
#10-24 x 3/4"
Qty 22
(Includes 2 Spares)



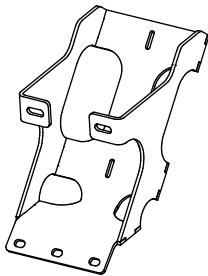
Nylock Nut
#10-24
Qty 22
(Includes 2 Spares)



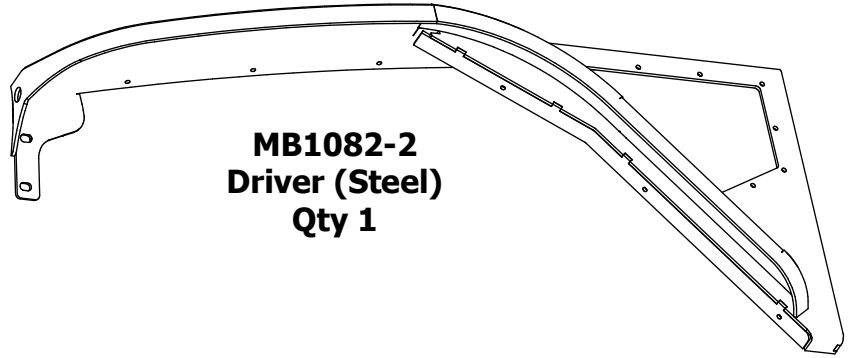
MB6500
LED Side Marker Light
Amber
Qty 2

MB1082-2 - Shipping TJ Stock Hood 2" Offset**CONTENTS - STEEL VERSION**

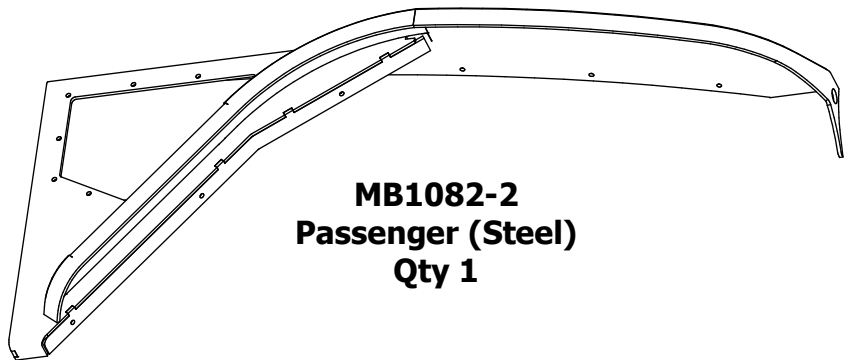
MB1082-BA
Battery Support (Steel)
Qty 1



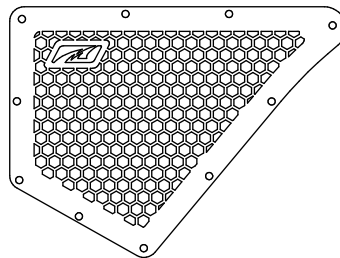
MB1082-BA
Fender Support (Steel)
Qty 1



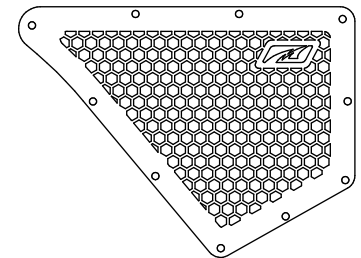
MB1082-2
Driver (Steel)
Qty 1



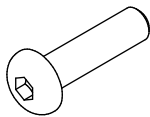
MB1082-2
Passenger (Steel)
Qty 1



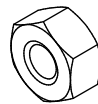
MB1082-VT-01_MIR
Vent Trim Passenger (Aluminum)
Qty 1



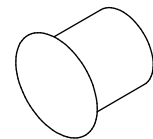
MB1082-VT-01
Vent Trim Driver (Aluminum)
Qty 1



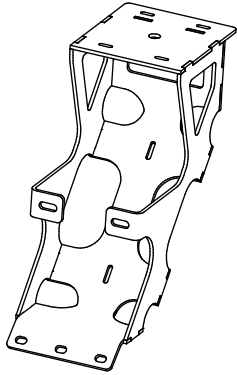
Round Head Screw
#10-24 x 3/4"
Qty 22
(Includes 2 Spares)



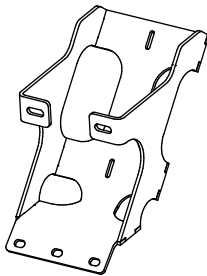
Nylock Nut
#10-24
Qty 22
(Includes 2 Spares)



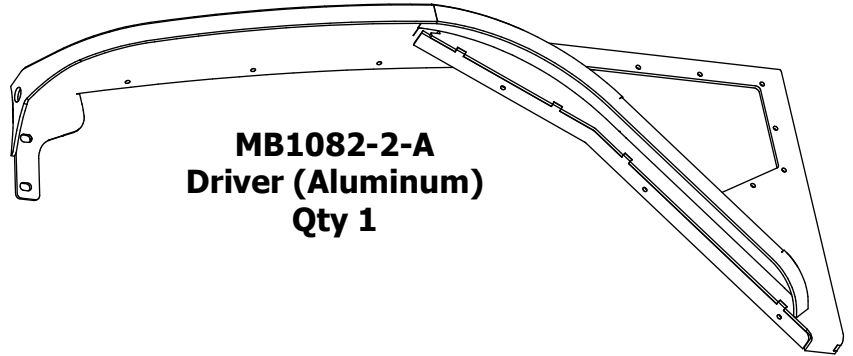
MB6500
LED Side Marker Light
Amber
Qty 2

MB1082-2 - Shipping TJ Stock Hood 2" Offset**CONTENTS - ALUMINUM VERSION**

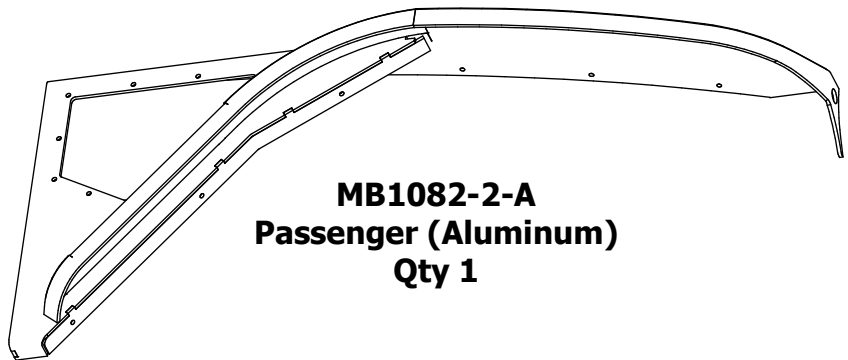
MB1082-BA
Battery Support (Steel)
Qty 1



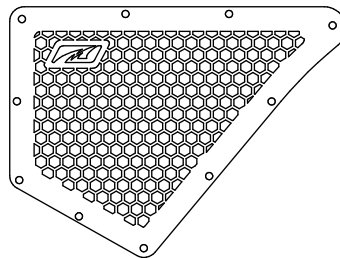
MB1082-BA
Fender Support (Steel)
Qty 1



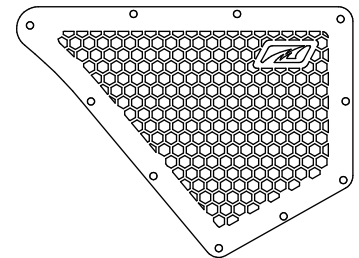
MB1082-2-A
Driver (Aluminum)
Qty 1



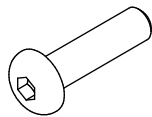
MB1082-2-A
Passenger (Aluminum)
Qty 1



MB1082-VT-01_MIR
Vent Trim Passenger (Aluminum)
Qty 1



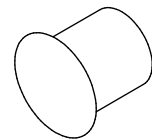
MB1082-VT-01
Vent Trim Driver (Aluminum)
Qty 1



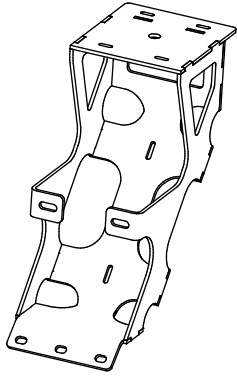
Round Head Screw
#10-24 x 3/4"
Qty 22
(Includes 2 Spares)



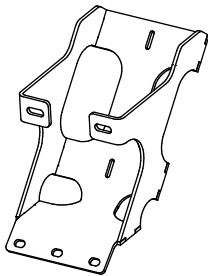
Nylock Nut
#10-24
Qty 22
(Includes 2 Spares)



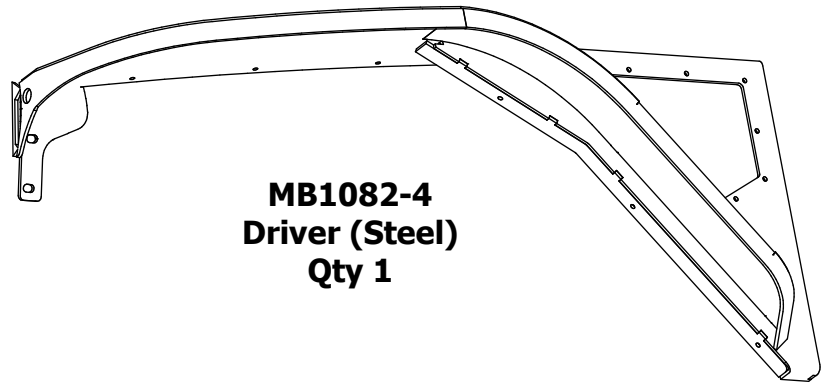
MB6500
LED Side Marker Light
Amber
Qty 2

MB1082-4 - Shipping TJ Stock Hood 4" Offset**CONTENTS - STEEL VERSION**

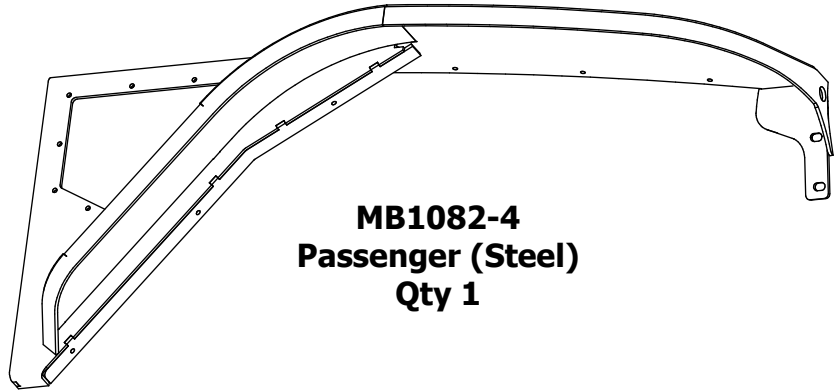
**MB1082-BA
Battery Support (Steel)
Qty 1**



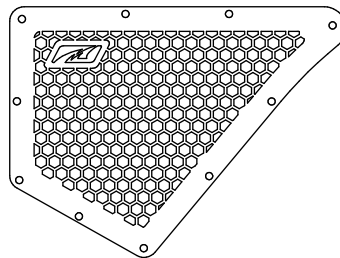
**MB1082-BA
Fender Support (Steel)
Qty 1**



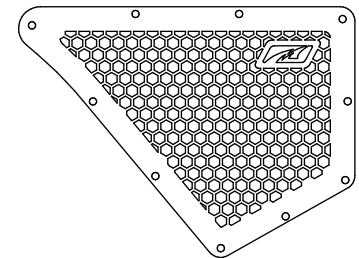
**MB1082-4
Driver (Steel)
Qty 1**



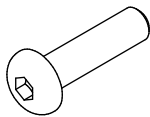
**MB1082-4
Passenger (Steel)
Qty 1**



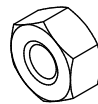
**MB1082-VT-01_MIR
Vent Trim Passenger (Aluminum)
Qty 1**



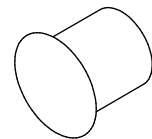
**MB1082-VT-01
Vent Trim Driver (Aluminum)
Qty 1**



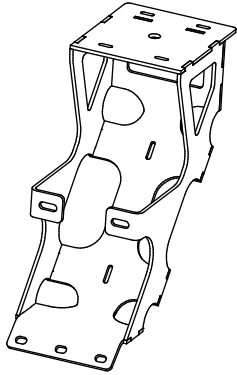
**Round Head Screw
#10-24 x 3/4"
Qty 22
(Includes 2 Spares)**



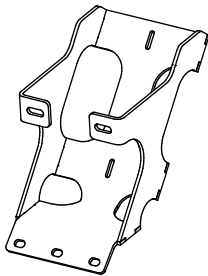
**Nylock Nut
#10-24
Qty 22
(Includes 2 Spares)**



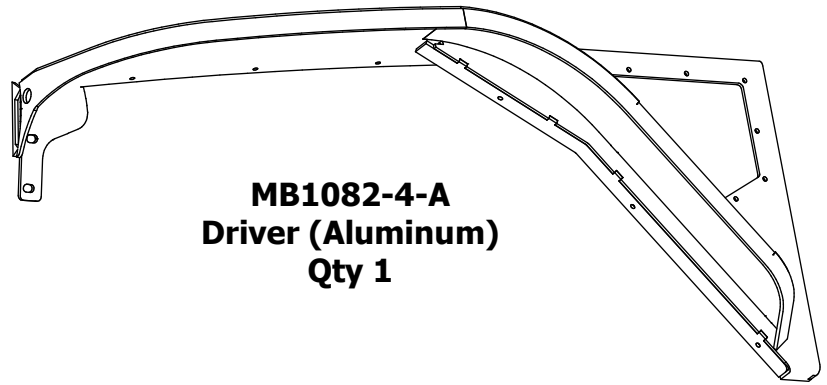
**MB6500
LED Side Marker Light
Amber
Qty 2**

MB1082-4 - Shipping TJ Stock Hood 4" Offset**CONTENTS - ALUMINUM VERSION**

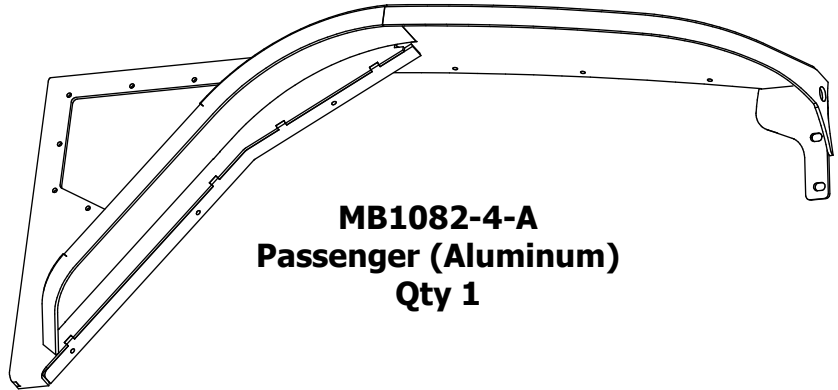
MB1082-BA
Battery Support (Steel)
Qty 1



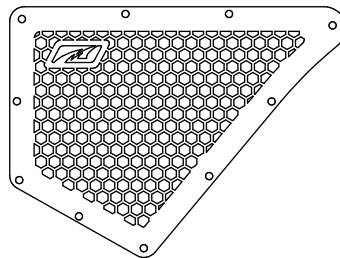
MB1082-BA
Fender Support (Steel)
Qty 1



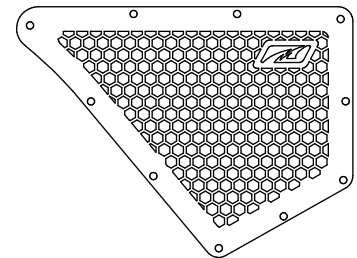
MB1082-4-A
Driver (Aluminum)
Qty 1



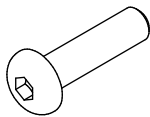
MB1082-4-A
Passenger (Aluminum)
Qty 1



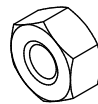
MB1082-VT-01_MIR
Vent Trim Passenger (Aluminum)
Qty 1



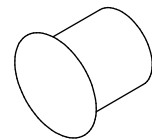
MB1082-VT-01
Vent Trim Driver (Aluminum)
Qty 1



Round Head Screw
#10-24 x 3/4"
Qty 22
(Includes 2 Spares)



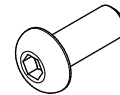
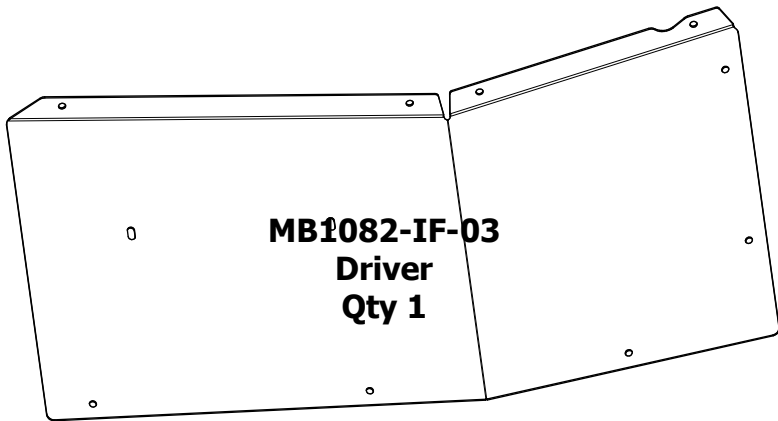
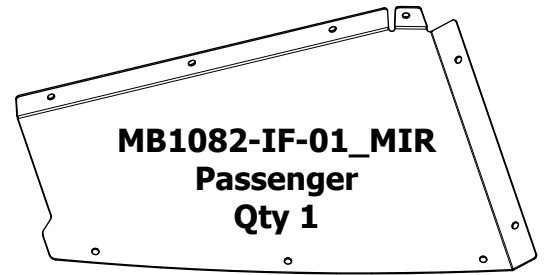
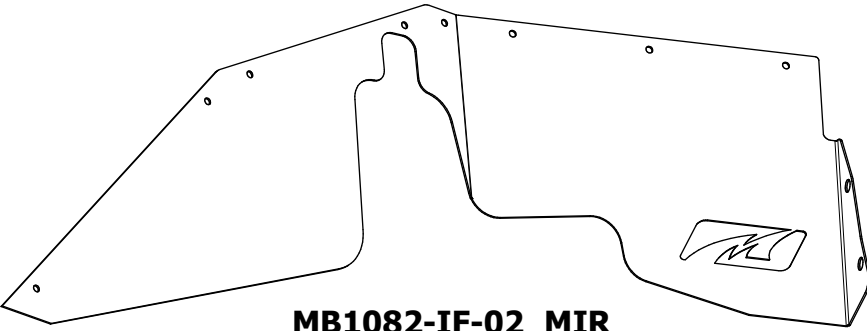
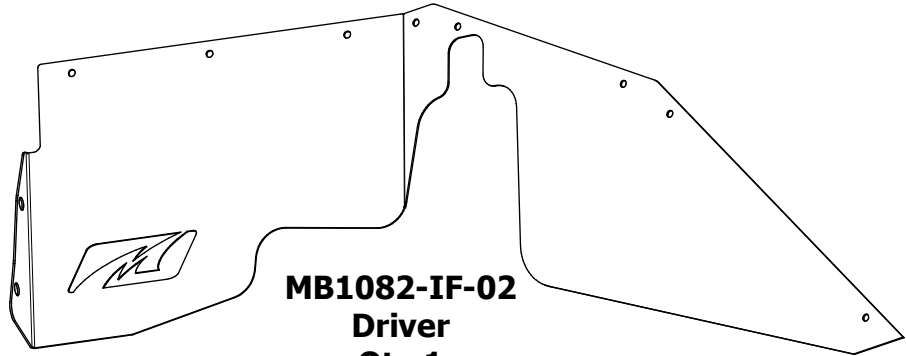
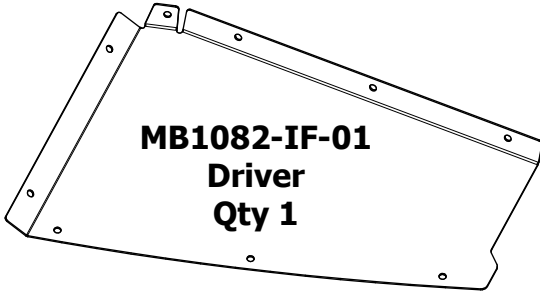
Nylock Nut
#10-24
Qty 22
(Includes 2 Spares)



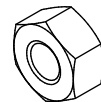
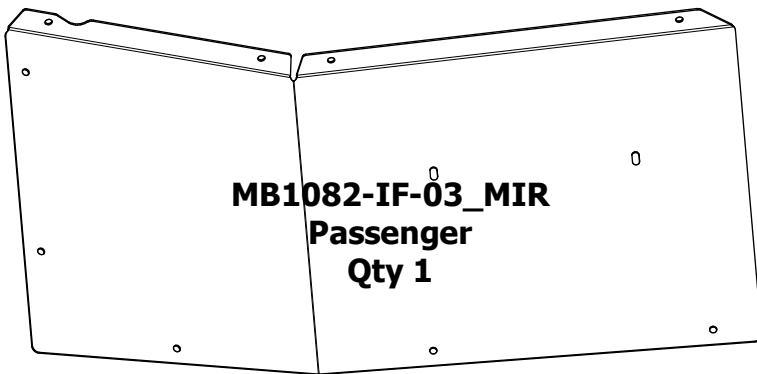
MB6500
LED Side Marker Light
Amber
Qty 2

MB1082-IF - Shipping TJ Stock Hood Inner Fender

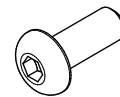
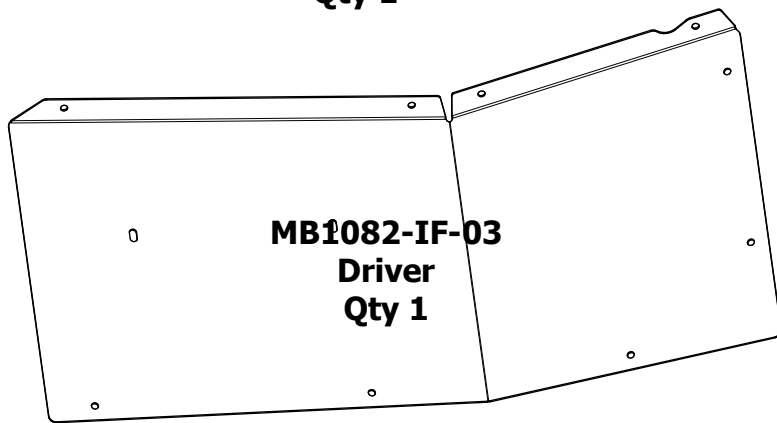
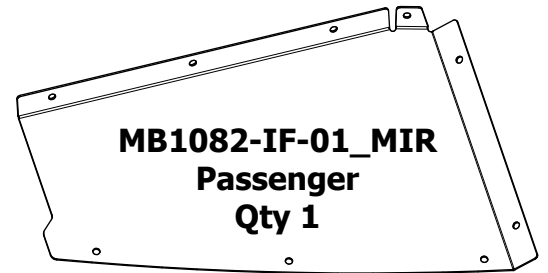
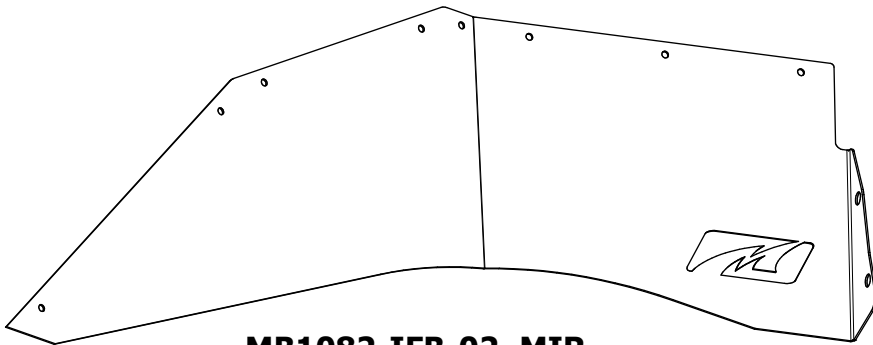
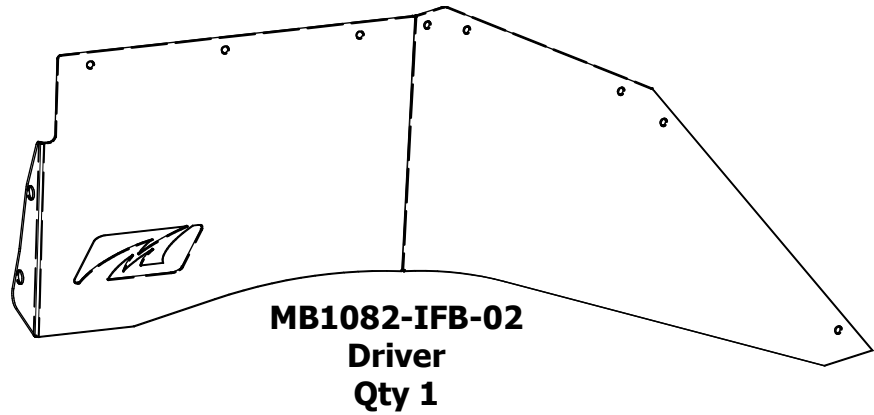
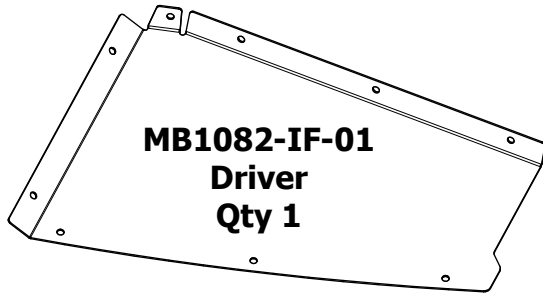
CONTENTS
MB1082-IF ALUMINUM INNER FENDER KIT



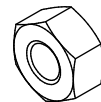
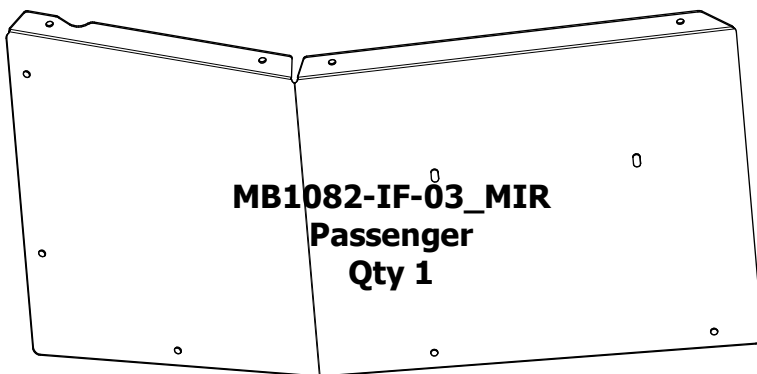
Round Head Screw
#10-24 x 1/2"
Qty 46
(Includes 2 Spares)



Nylock Nut
#10-24
Qty 46
(Includes 2 Spares)

MB1082-IFB - Shipping TJ Stock Hood Inner Fender Blank**CONTENTS****MB1082-IFB ALUMINUM INNER FENDER KIT (Blank)**

Round Head Screw
#10-24 x 1/2"
Qty 46
(Includes 2 Spares)



Nylock Nut
#10-24
Qty 46
(Includes 2 Spares)

MB1082 - Assembly Instructions Flat Fender and Inner Fender

**STEP 1
Factory Fender & Hood Removal**

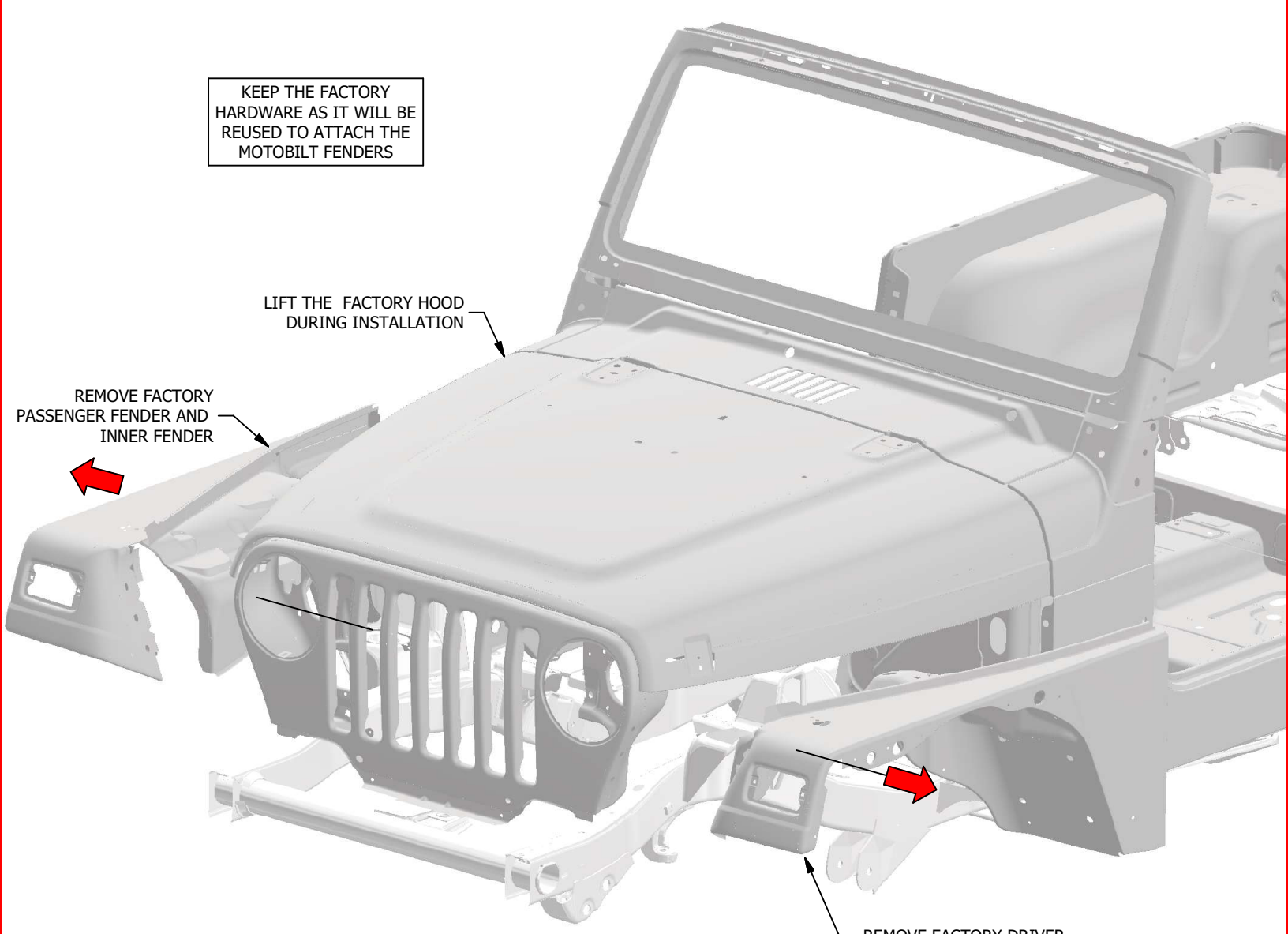
KEEP THE FACTORY
HARDWARE AS IT WILL BE
REUSED TO ATTACH THE
MOTOBILT FENDERS

LIFT THE FACTORY HOOD
DURING INSTALLATION

REMOVE FACTORY
PASSENGER FENDER AND
INNER FENDER

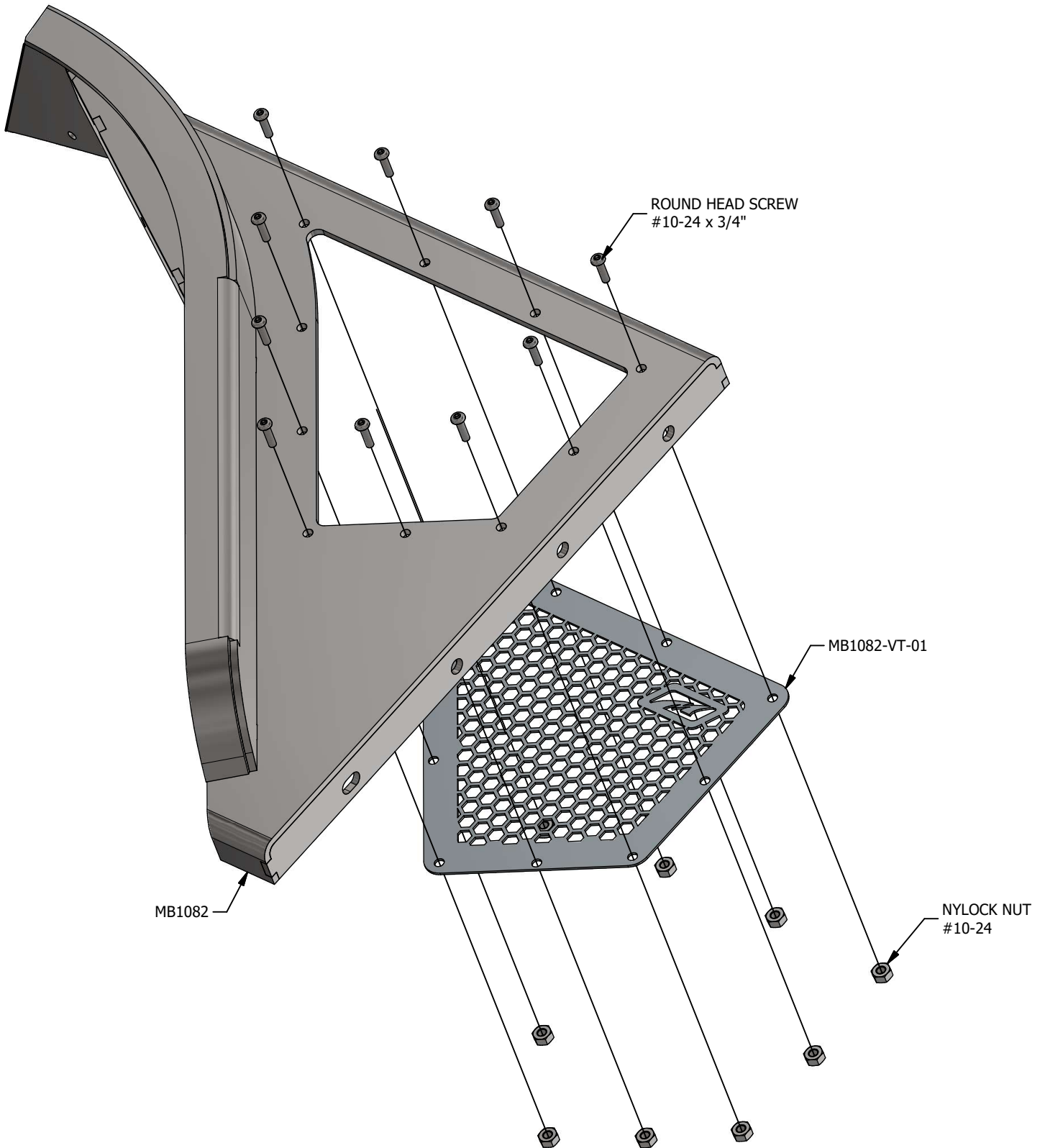


REMOVE FACTORY DRIVER
FENDER AND INNER FENDER



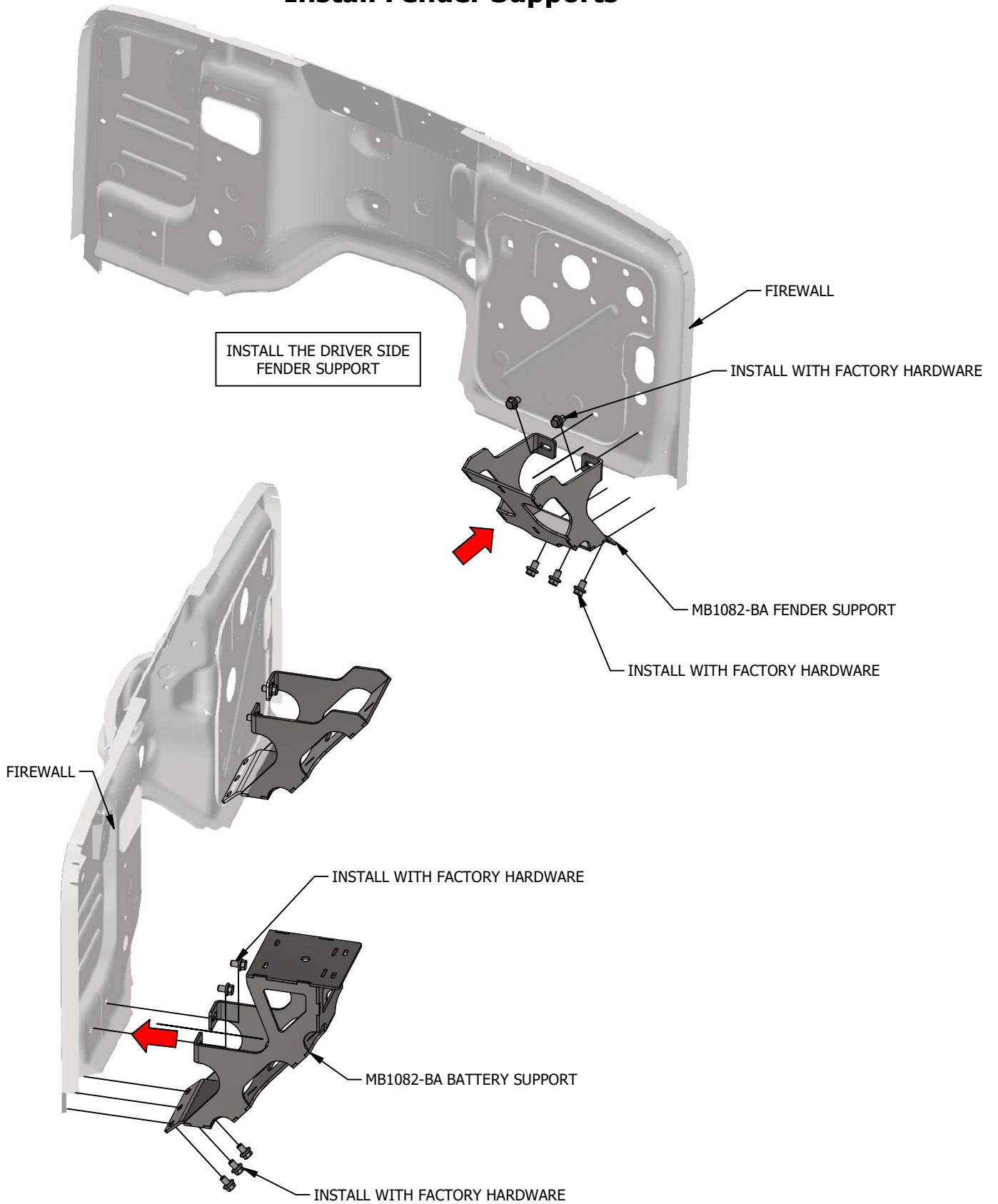
MB1082 - Assembly Instructions Flat Fender and Inner Fender

STEP 2
Fender Pre-Assembly



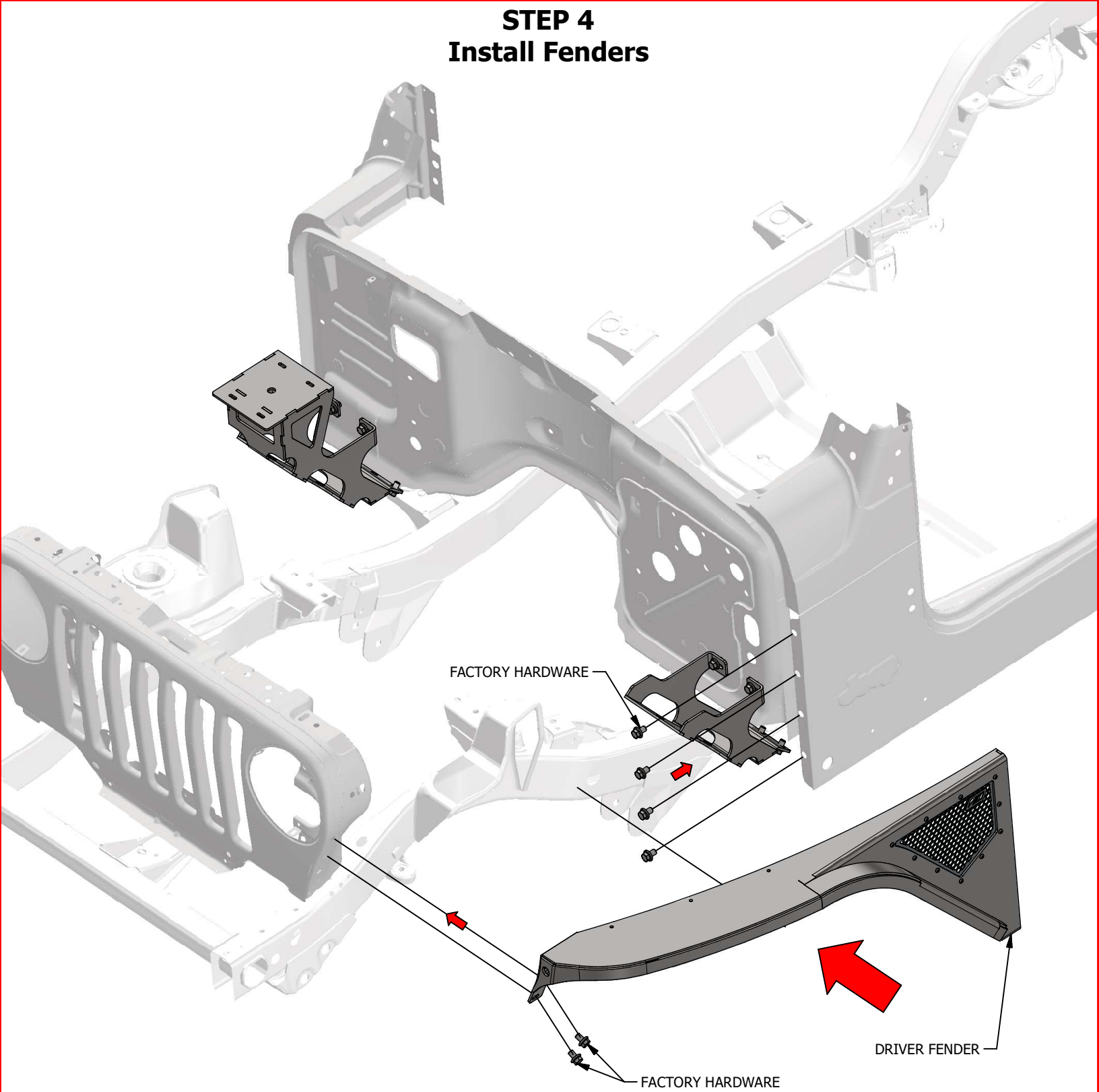
MB1082 - Assembly Instructions Flat Fender and Inner Fender

**STEP 3
Install Fender Supports**



MB1082 - Assembly Instructions Flat Fender and Inner Fender

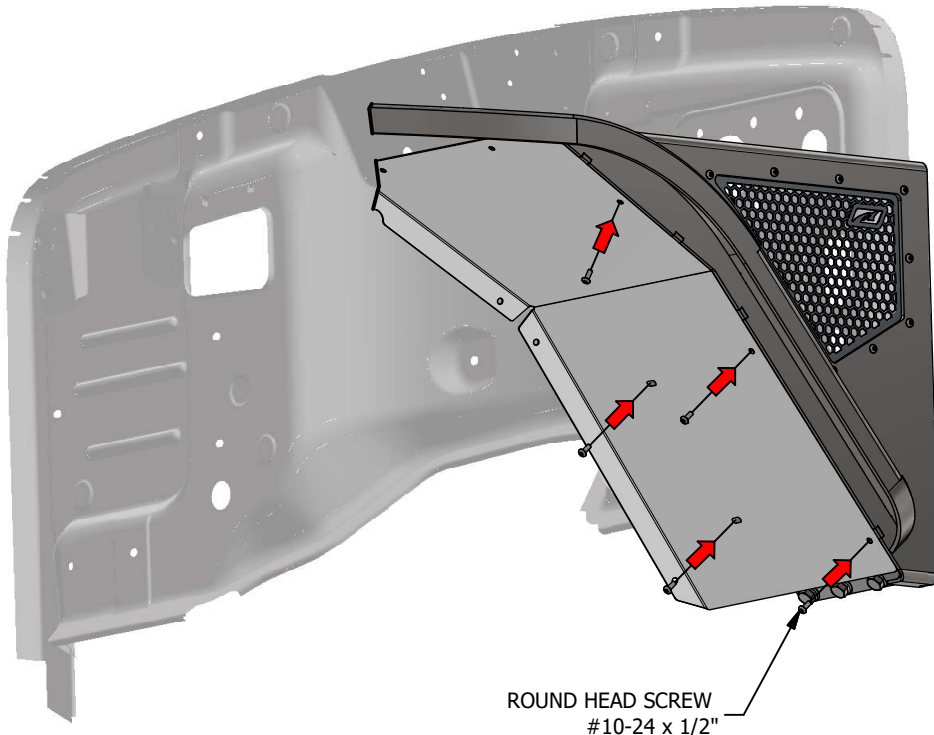
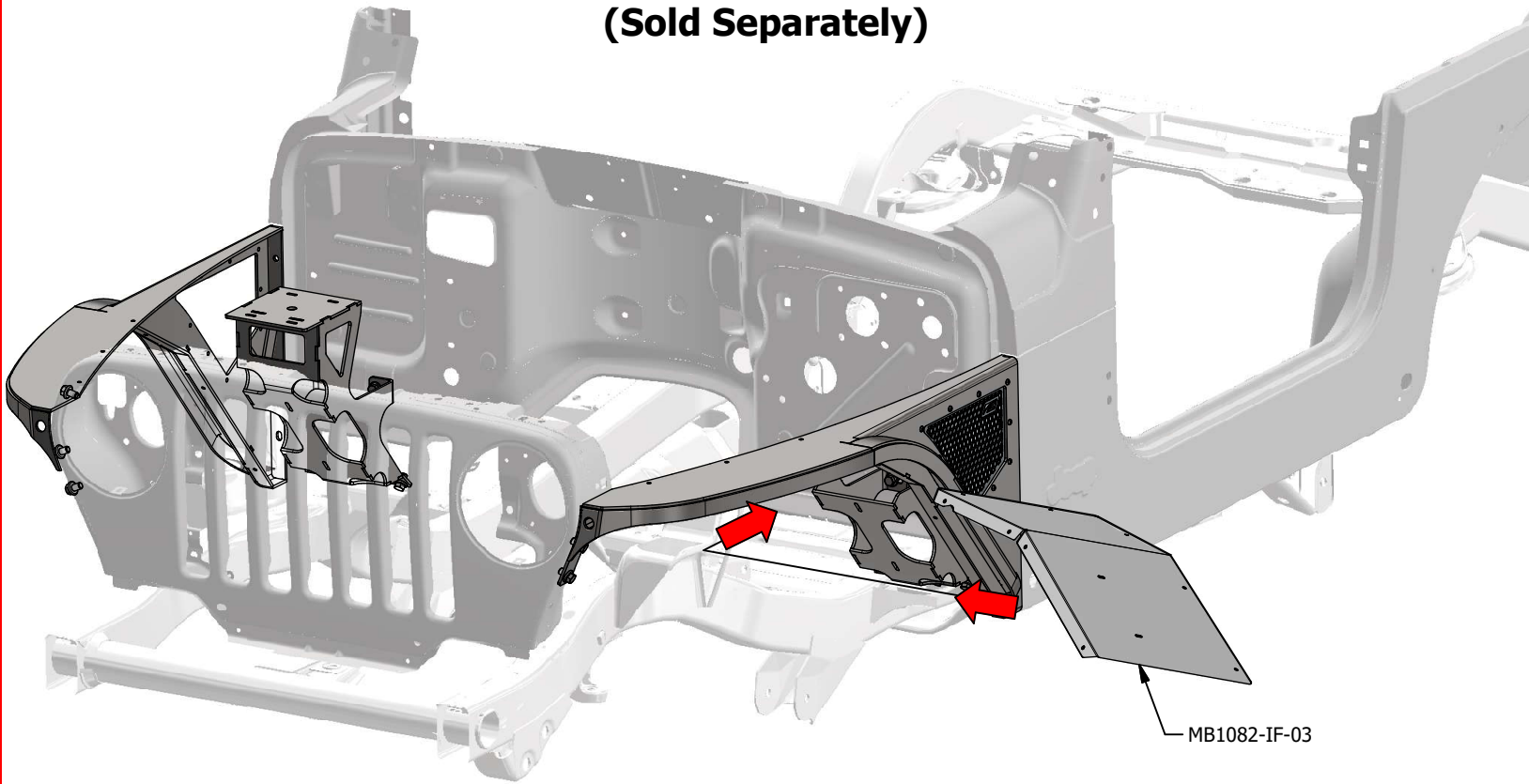
**STEP 4
Install Fenders**



INSTALL THE NEW FENDER USING THE FACTORY HARDWARE IN THE FACTORY LOCATION. REPEAT THIS STEP ON THE PASSENGER SIDE

MB1082 - Assembly Instructions Flat Fender and Inner Fender

STEP 5
Install Inner Fenders
(Sold Separately)

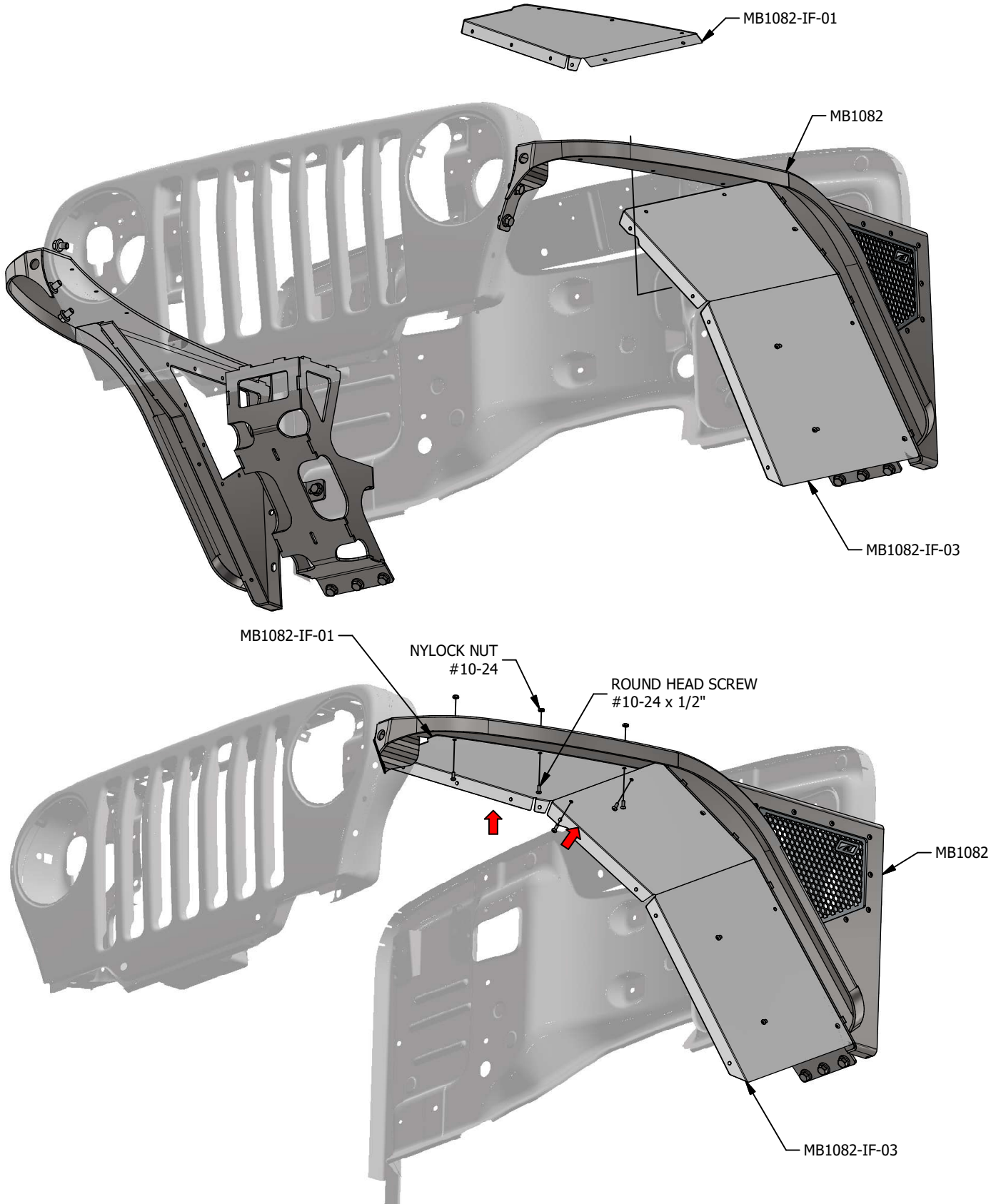


INSTALL THE MB1082-IF-03 INNER FENDER WITH #10 ROUND HEAD SCREWS WITH NYLOCK NUTS.

ROUND HEAD SCREW
#10-24 x 1/2"

MB1082 - Assembly Instructions Flat Fender and Inner Fender

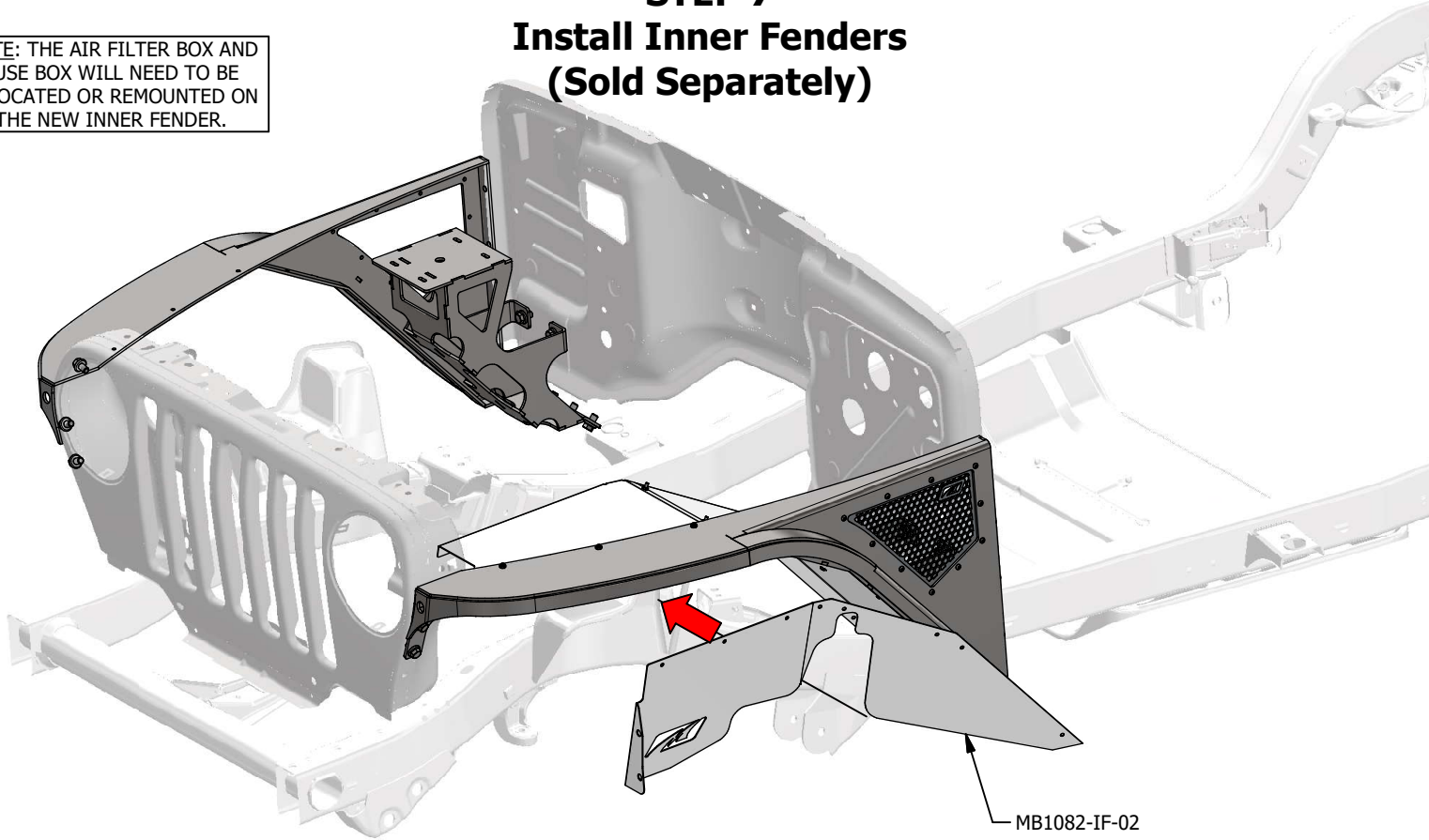
STEP 6
Install Inner Fenders
(Sold Separately)



MB1082 - Assembly Instructions Flat Fender and Inner Fender

STEP 7
Install Inner Fenders
(Sold Separately)

NOTE: THE AIR FILTER BOX AND FUSE BOX WILL NEED TO BE RELOCATED OR REMOUNTED ON THE NEW INNER FENDER.



NYLOCK NUT
#10-24
(BACKSIDE)

FACTORY HARDWARE

REPEAT ON
PASSENGER SIDE

