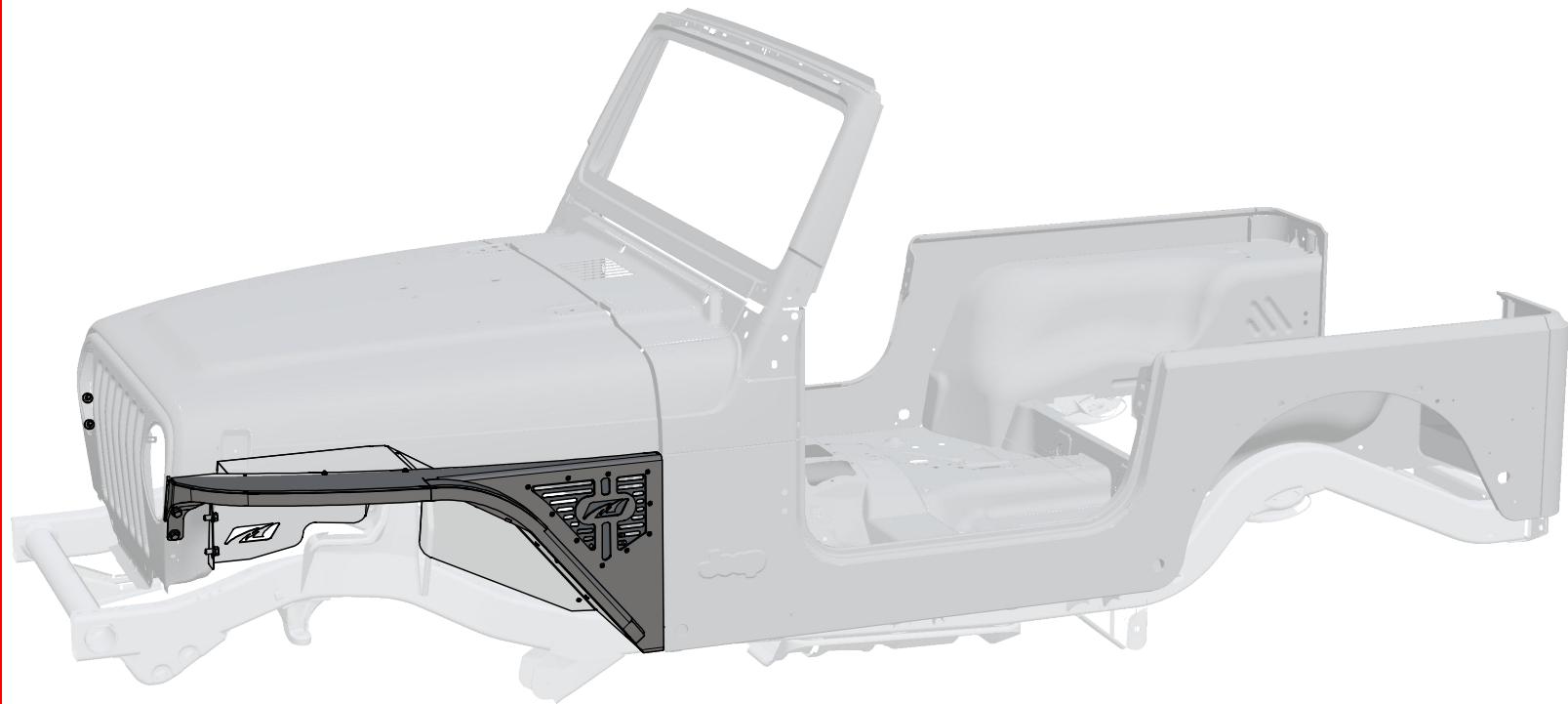


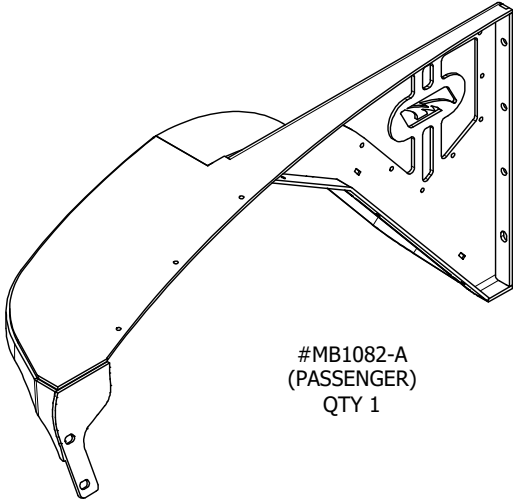
FLAT FENDERS INNER FENDERS (OPTIONAL) TJ/LJ



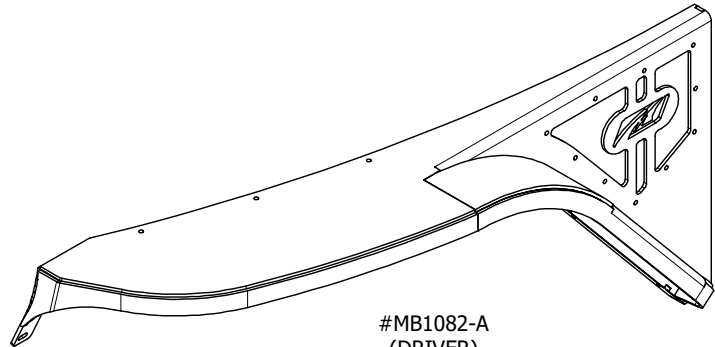
ASSEMBLY INSTRUCTIONS

MB1082 - Assembly Instructions Flat Fender and Inner Fender

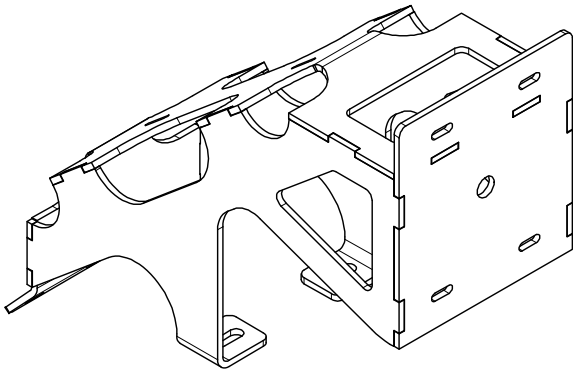
KIT COMPONENTS - FENDER



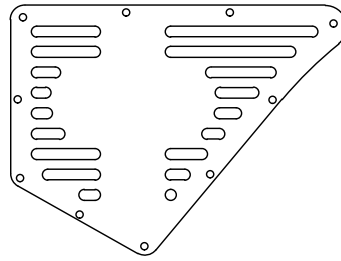
#MB1082-A
(PASSENGER)
QTY 1



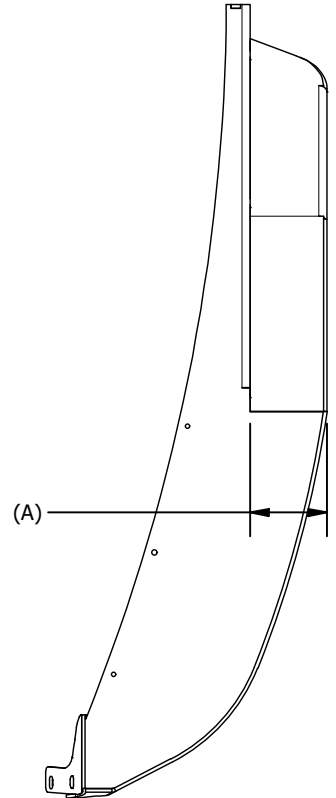
#MB1082-A
(DRIVER)
QTY 1



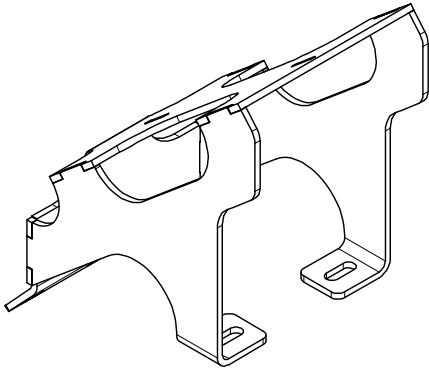
#MB1082-BA BATTERY SUPPORT
QTY 1



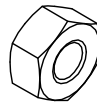
#MB1082-VT
VENTED SIDE PLATE
QTY 2



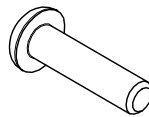
(A)



#MB1082-BA FENDER SUPPORT
QTY 1



NYLOCK HEX NUT ZINC
#10-24
QTY 20

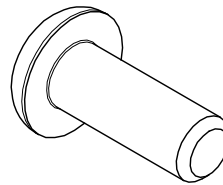
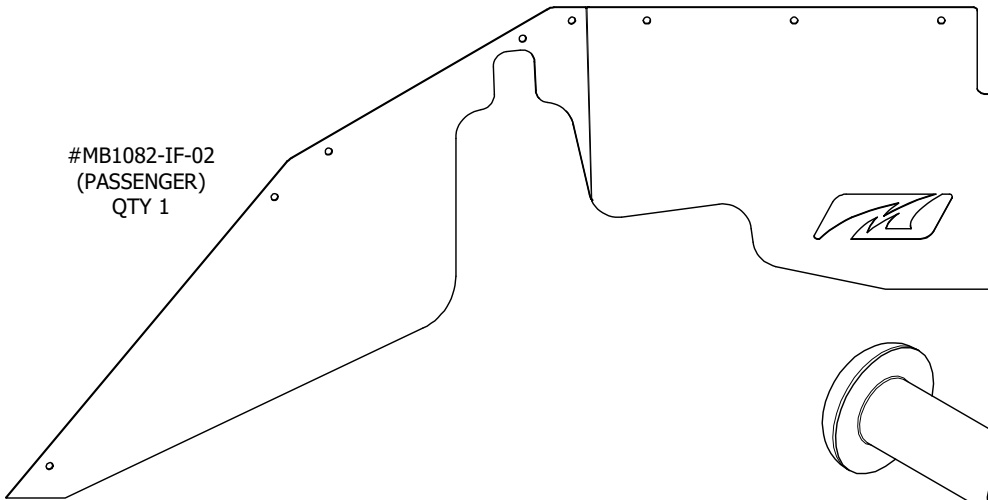
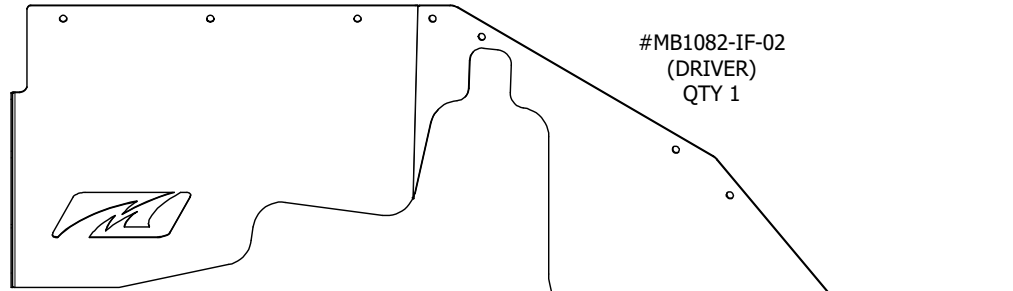


BUTTON HEAD SOCKET CAP SCREW STAINLESS
#10-24 x 3/4"
QTY 20

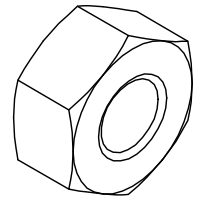
TABLE	
PART #	FENDER OFFSET
MB1082-0	A = 0"
MB1082-2	A = 2"
MB1082-4	A = 4"
MB1082-6	A = 6"

MB1082 - Assembly Instructions Flat Fender and Inner Fender

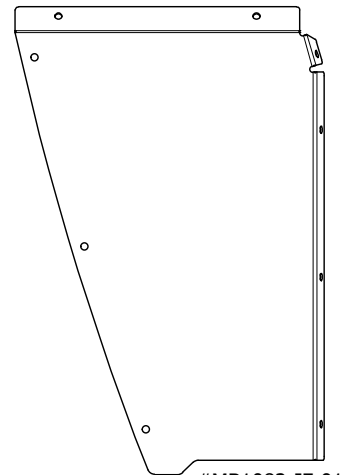
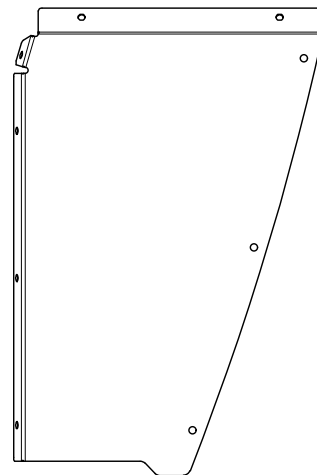
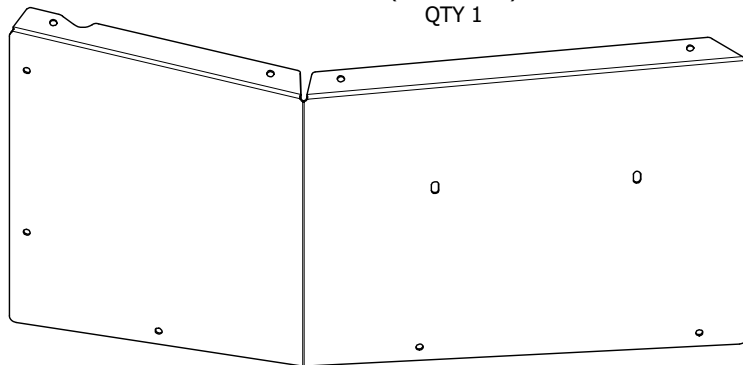
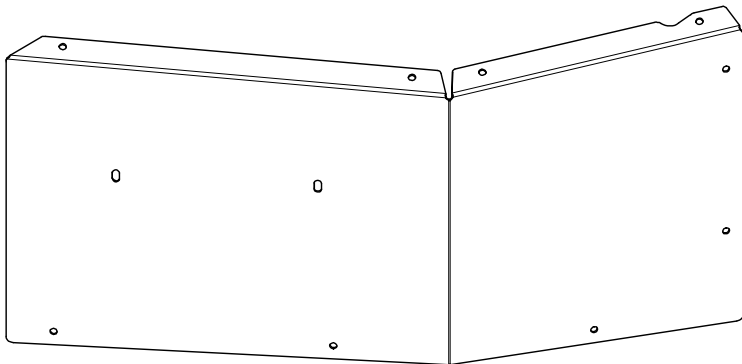
KIT COMPONENTS - INNER FENDER



BUTTON HEAD SOCKET CAP SCREW STAINLESS
#10-24 x 1/2"
QTY 44



NYLOCK HEX NUT ZINC
#10-24
QTY 44



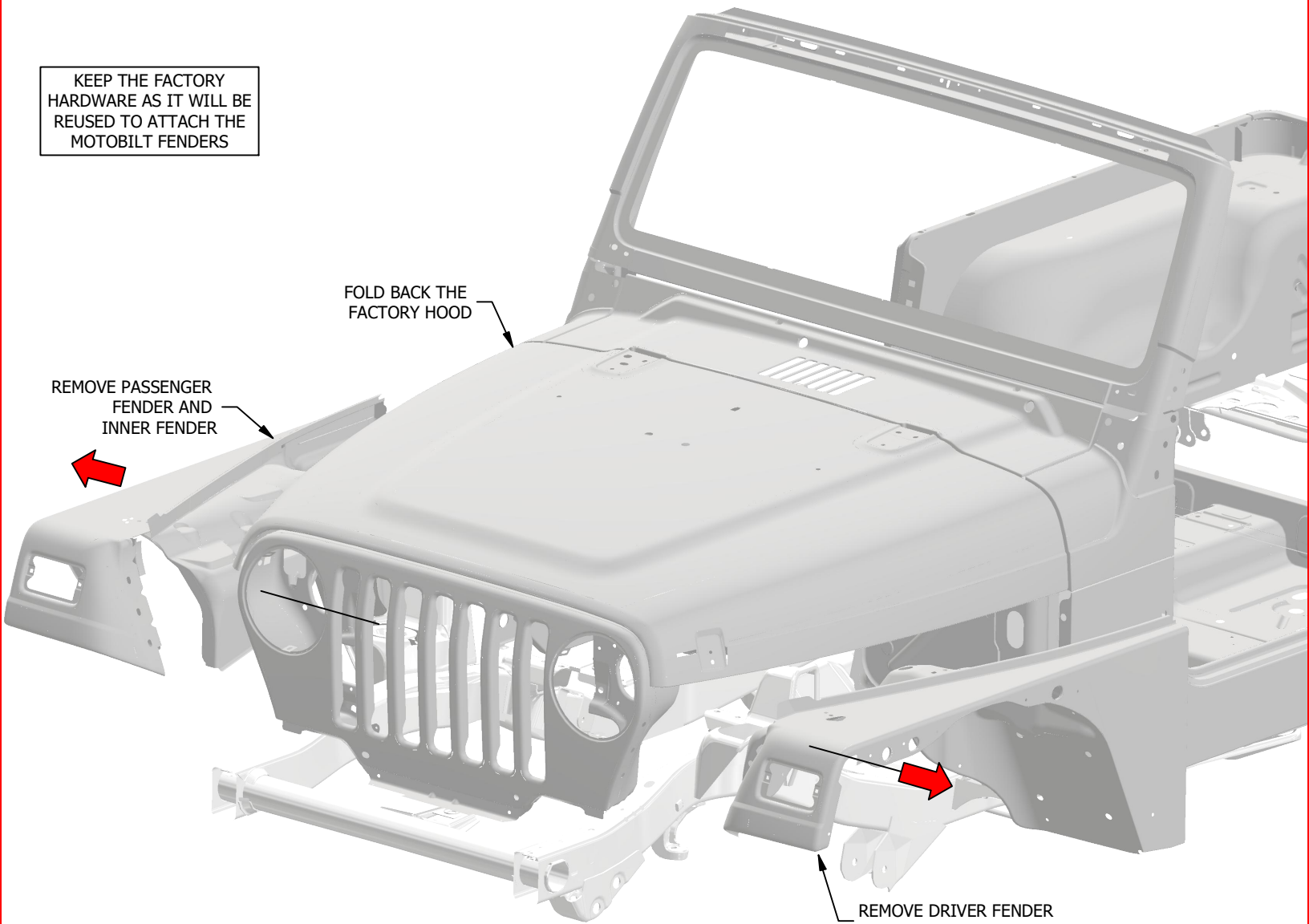
MB1082 - Assembly Instructions Flat Fender and Inner Fender**FACTORY FENDER AND HOOD REMOVAL**

KEEP THE FACTORY
HARDWARE AS IT WILL BE
REUSED TO ATTACH THE
MOTOBILT FENDERS

FOLD BACK THE
FACTORY HOOD

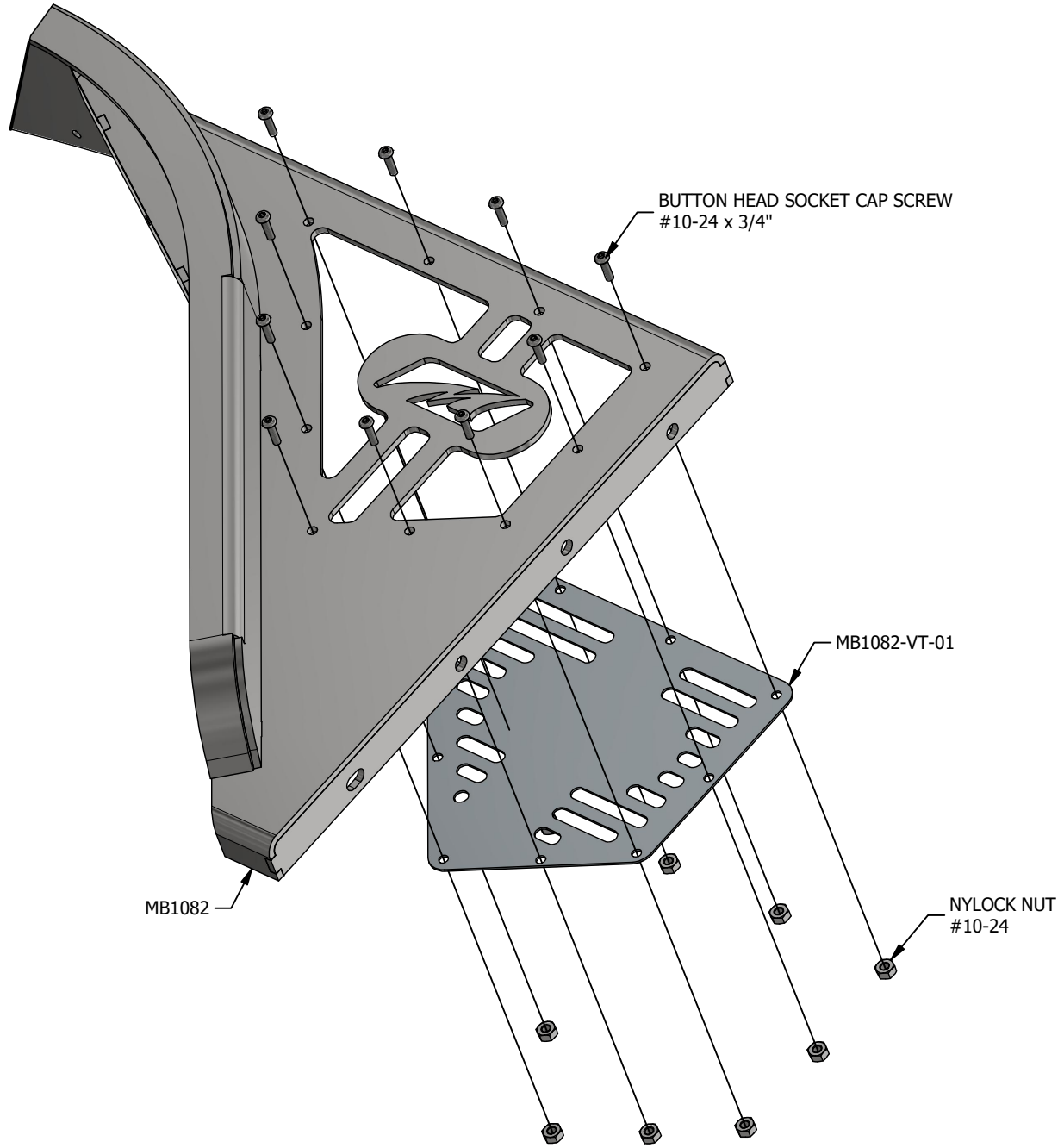
REMOVE PASSENGER
FENDER AND
INNER FENDER

REMOVE DRIVER FENDER
AND INNER FENDER



MB1082 - Assembly Instructions Flat Fender and Inner Fender

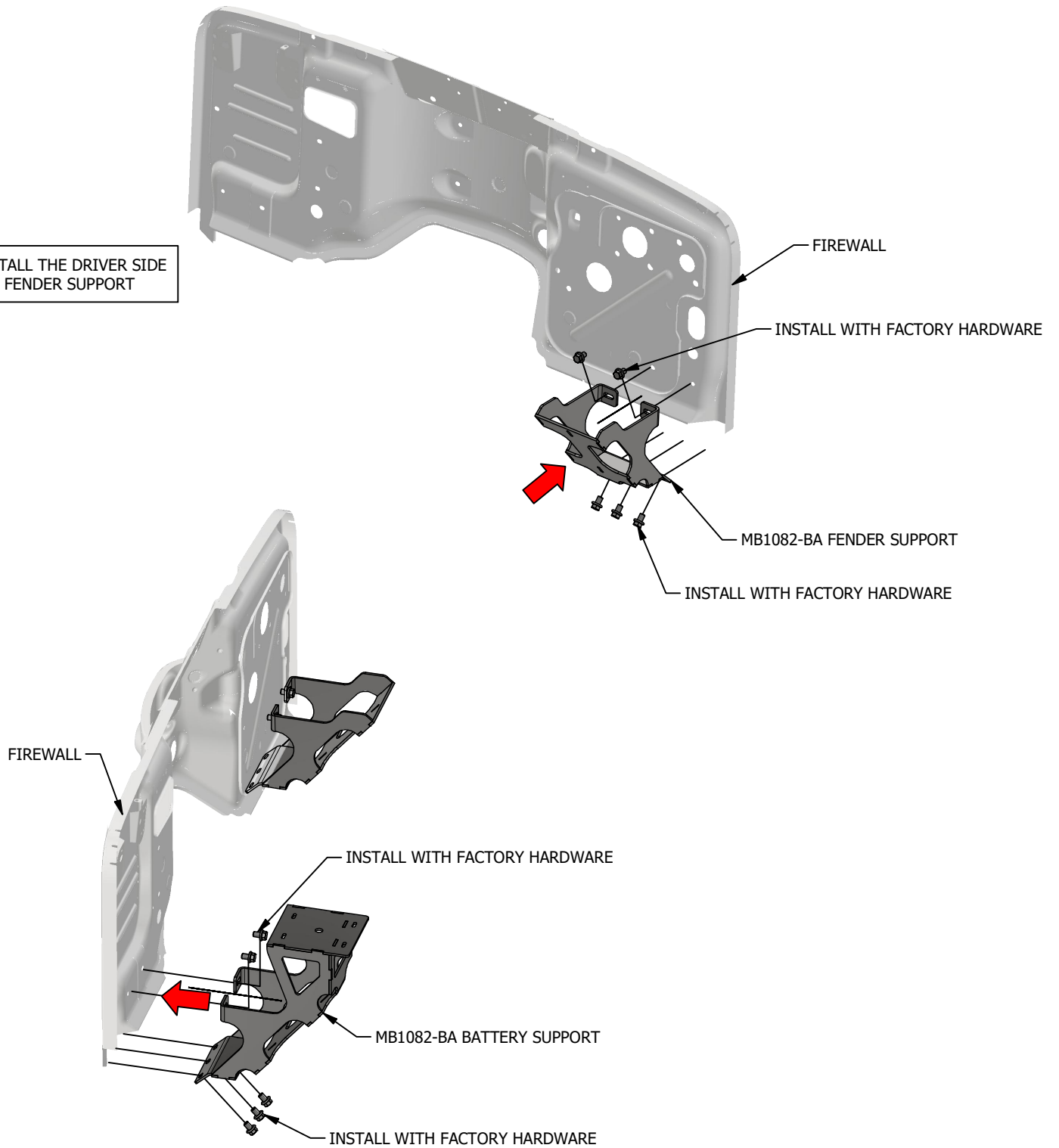
FENDER ASSEMBLY

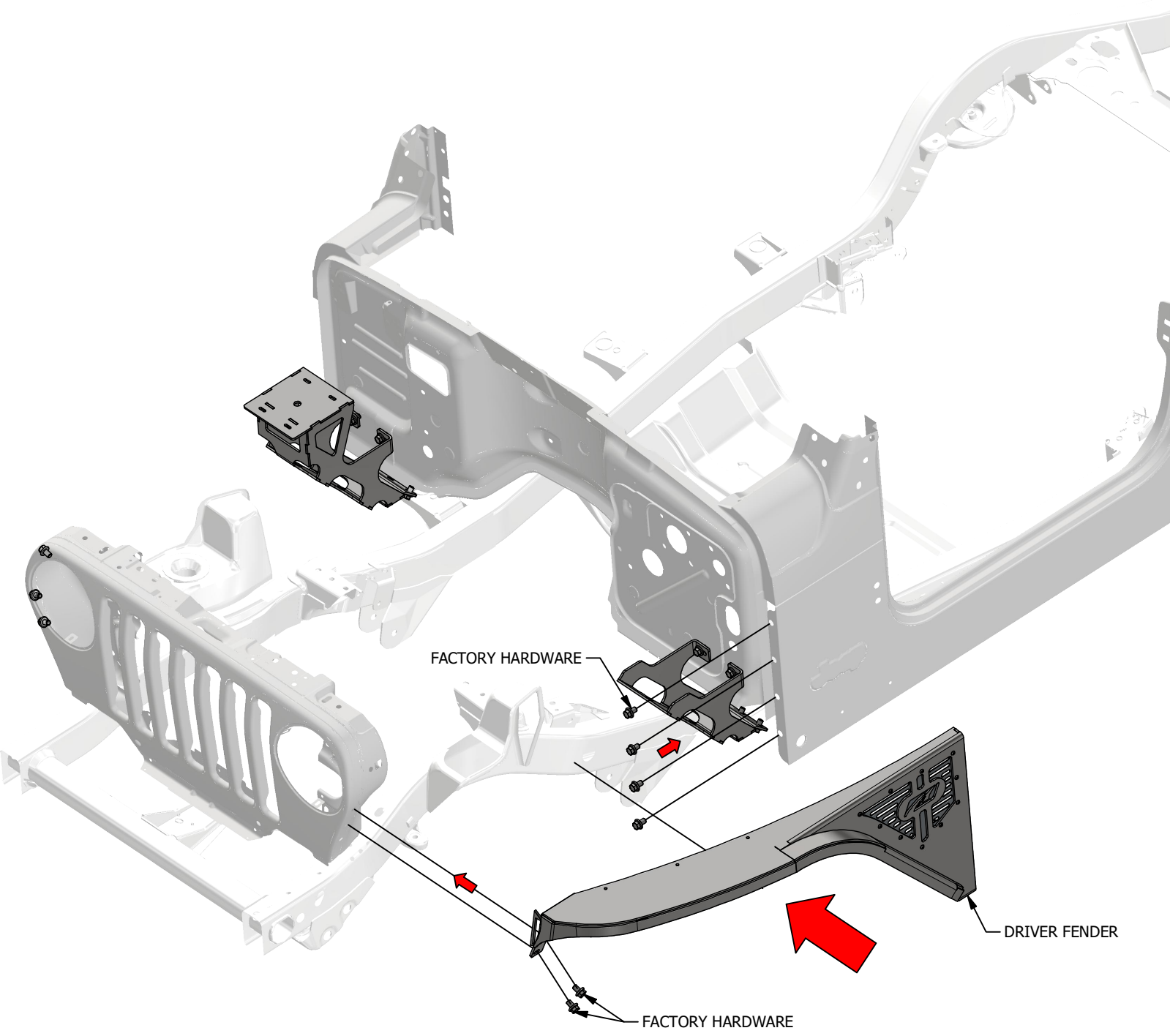


MB1082 - Assembly Instructions Flat Fender and Inner Fender

FENDER SUPPORTS

INSTALL THE DRIVER SIDE
FENDER SUPPORT

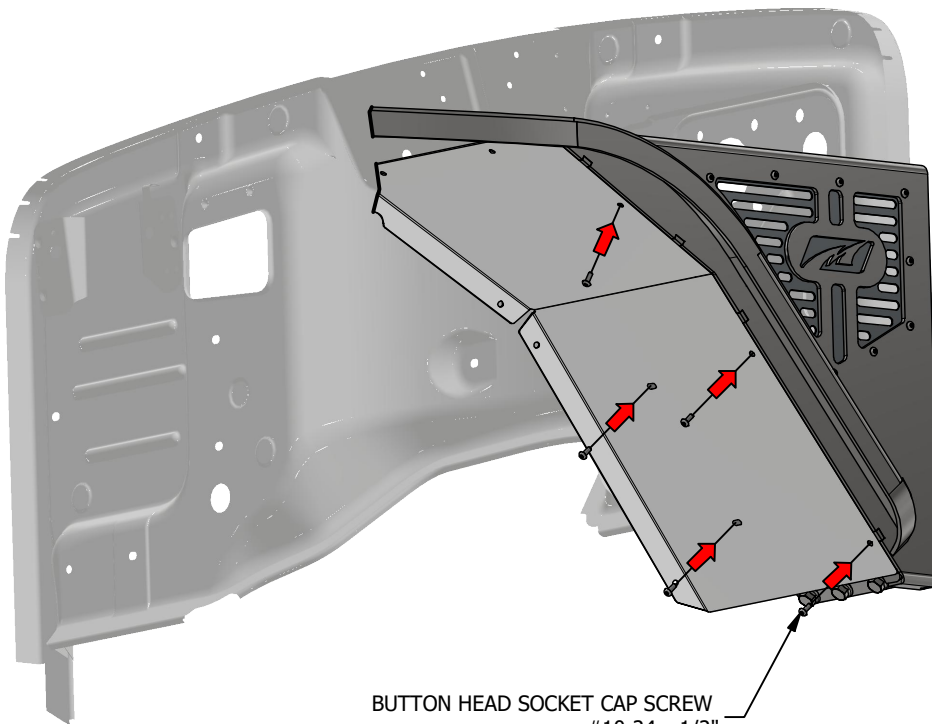
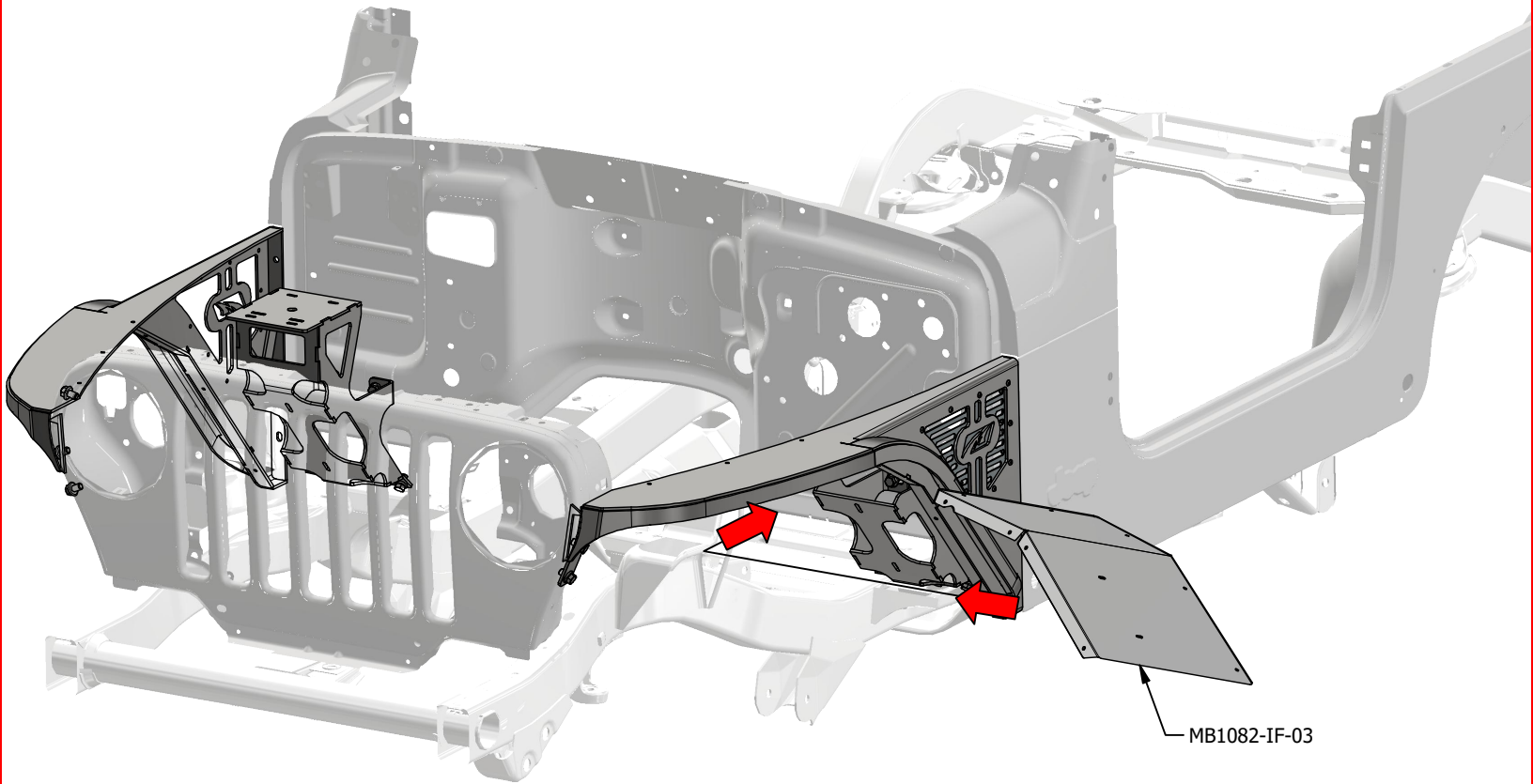


MB1082 - Assembly Instructions Flat Fender and Inner Fender**FENDER INSTALL**

INSTALL THE NEW FENDER USING THE FACTORY
HARDWARE IN THE FACTORY LOCATION. REPEAT
THIS STEP ON THE PASSENGER SIDE

MB1082 - Assembly Instructions Flat Fender and Inner Fender

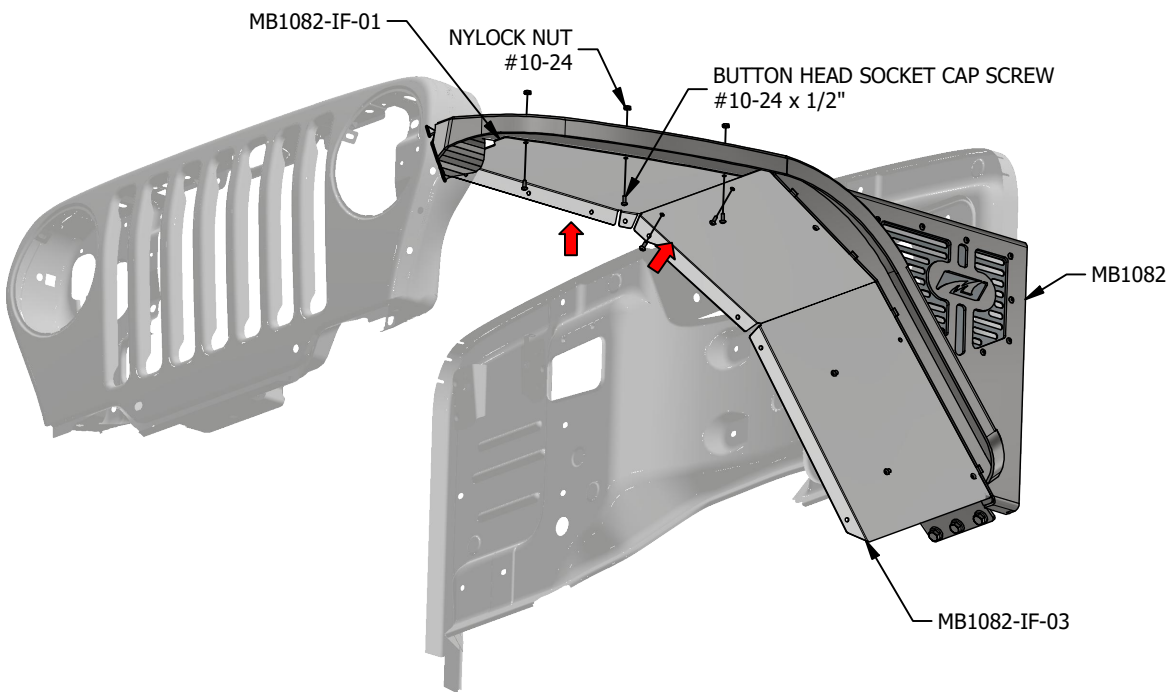
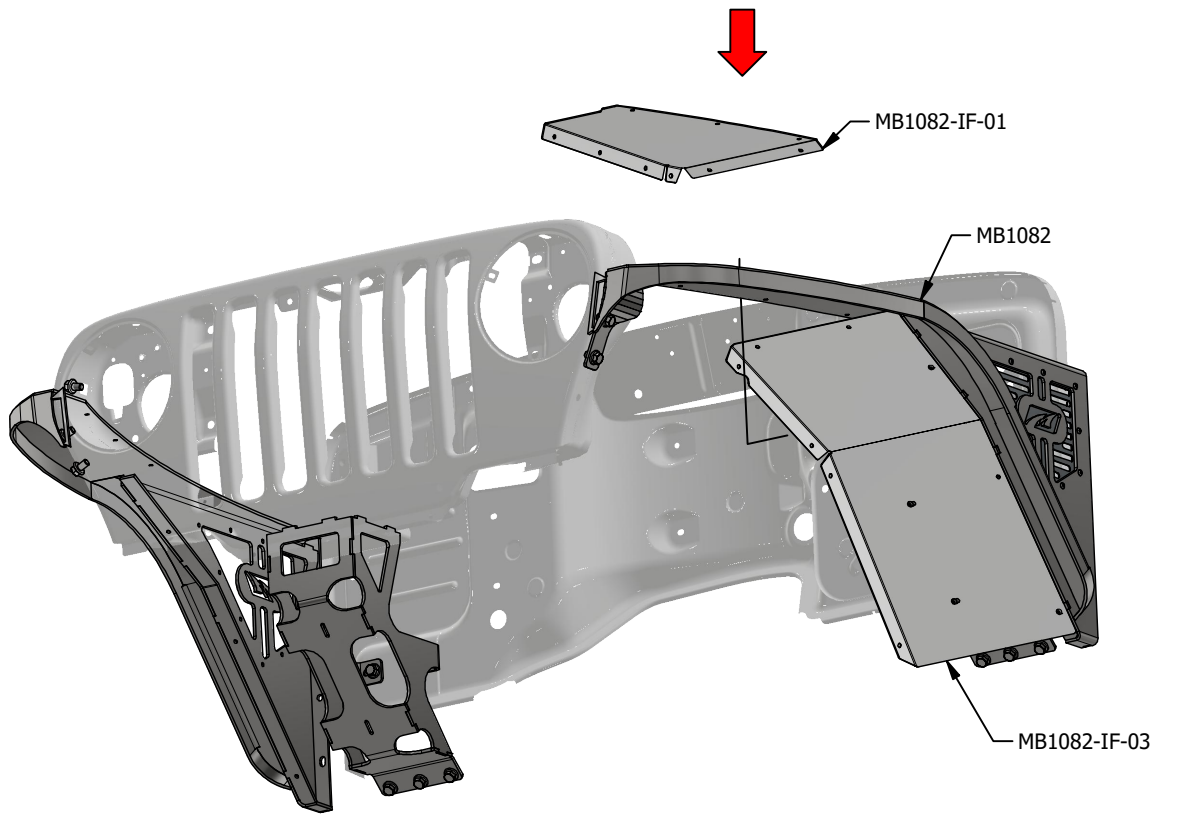
INNER FENDER INSTALL



INSTALL THE MB1082-IF-03 INNER FENDER WITH #10 BUTTON HEAD SOCKET CAP SCREWS WITH #10 NYLOCK NUTS.

MB1082 - Assembly Instructions Flat Fender and Inner Fender

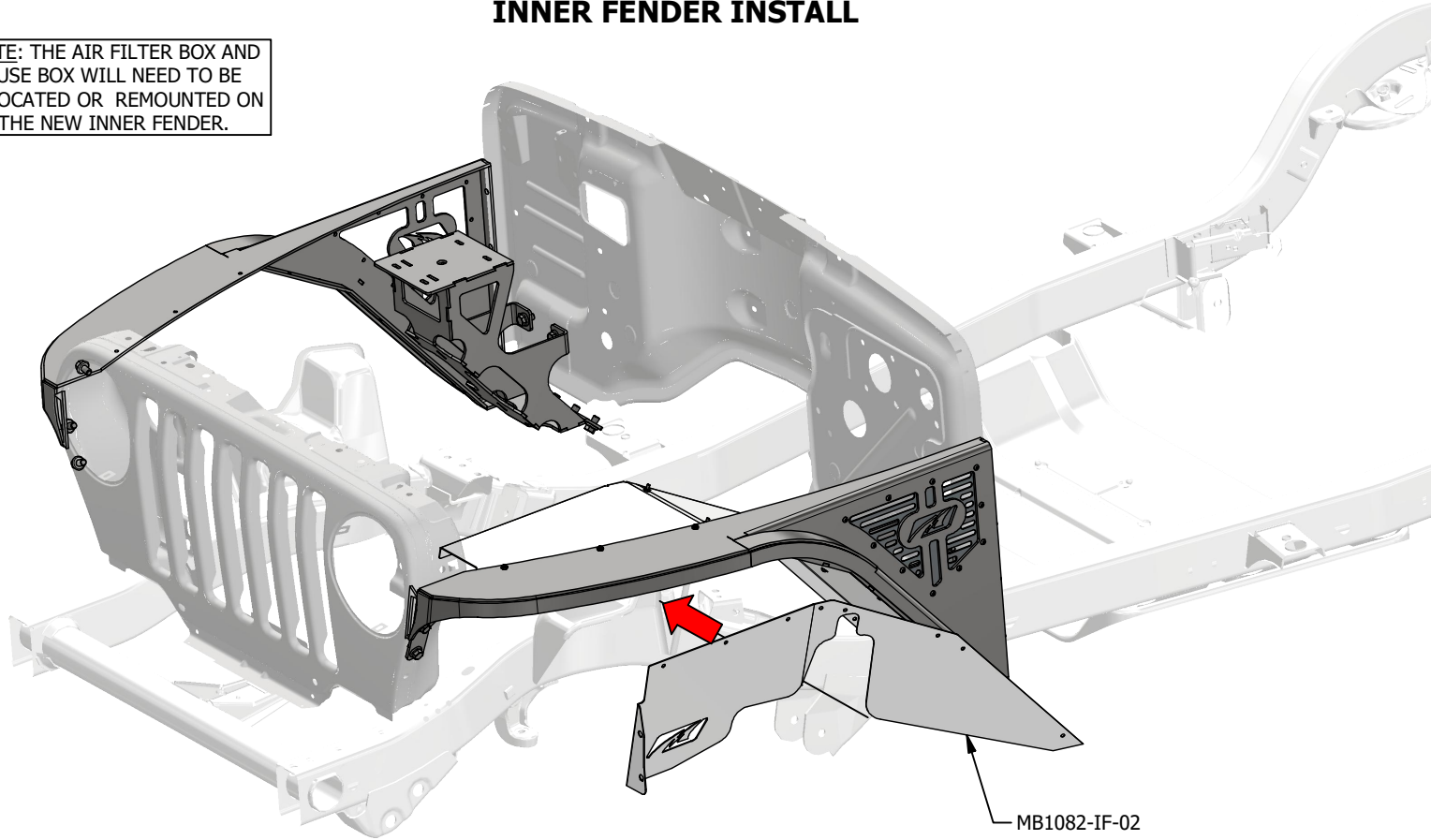
INNER FENDER INSTALL



MB1082 - Assembly Instructions Flat Fender and Inner Fender

INNER FENDER INSTALL

NOTE: THE AIR FILTER BOX AND FUSE BOX WILL NEED TO BE RELOCATED OR REMOUNTED ON THE NEW INNER FENDER.



NYLOCK NUT #10-24 (BACKSIDE)

FACTORY HARDWARE

REPEAT ON PASSENGER SIDE

