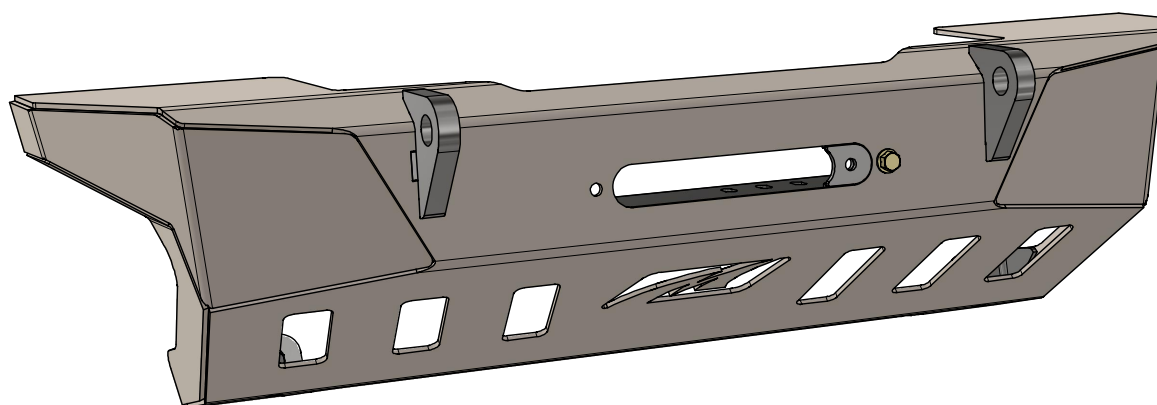


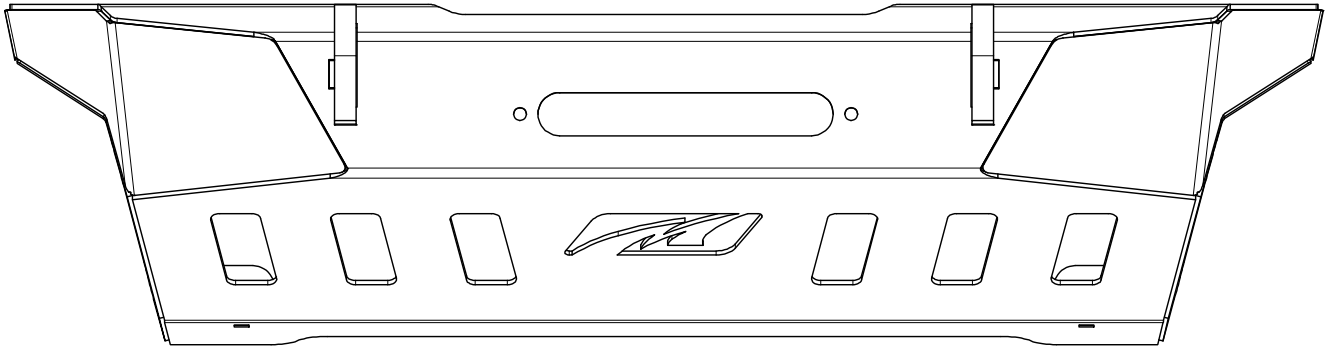
CRUSHER FRONT BUMPER



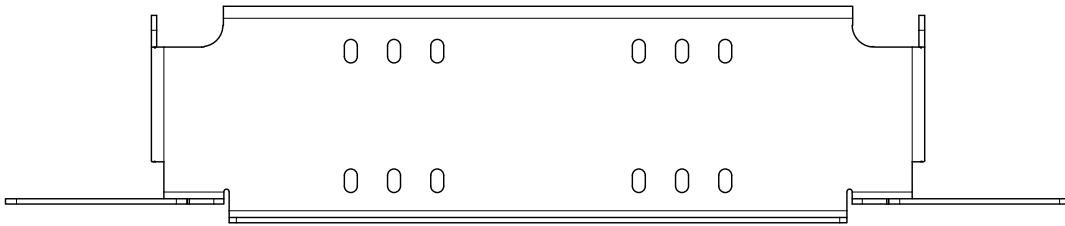
INSTALLATION INSTRUCTIONS

MB1078 - Assembly Instructions Crusher Front Bumper - JL/JT

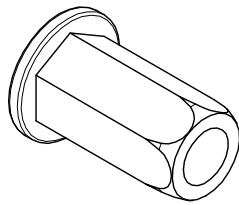
KIT COMPONENTS



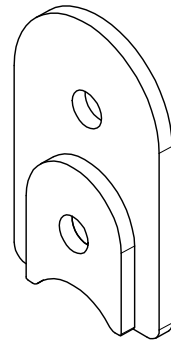
#MB1078
JL CRUSHER FRONT BUMPER
QTY 1



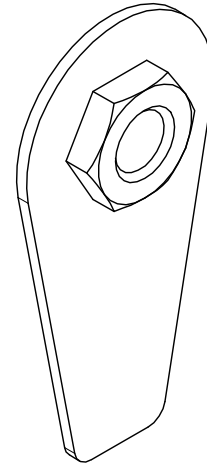
#MB1078-06
WINCH PLATE
QTY 1



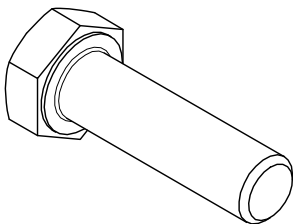
HEX RIVNUT
M10 x 35mm
QTY 2



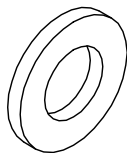
WINCH OFFSET PLATE
QTY 1



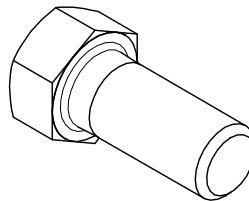
FLAG NUT
7/16"
QTY 2



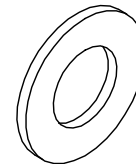
HEX BOLT
M10 x 35mm ZINC
QTY 2



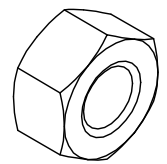
FLAT WASHER
M10
QTY 2



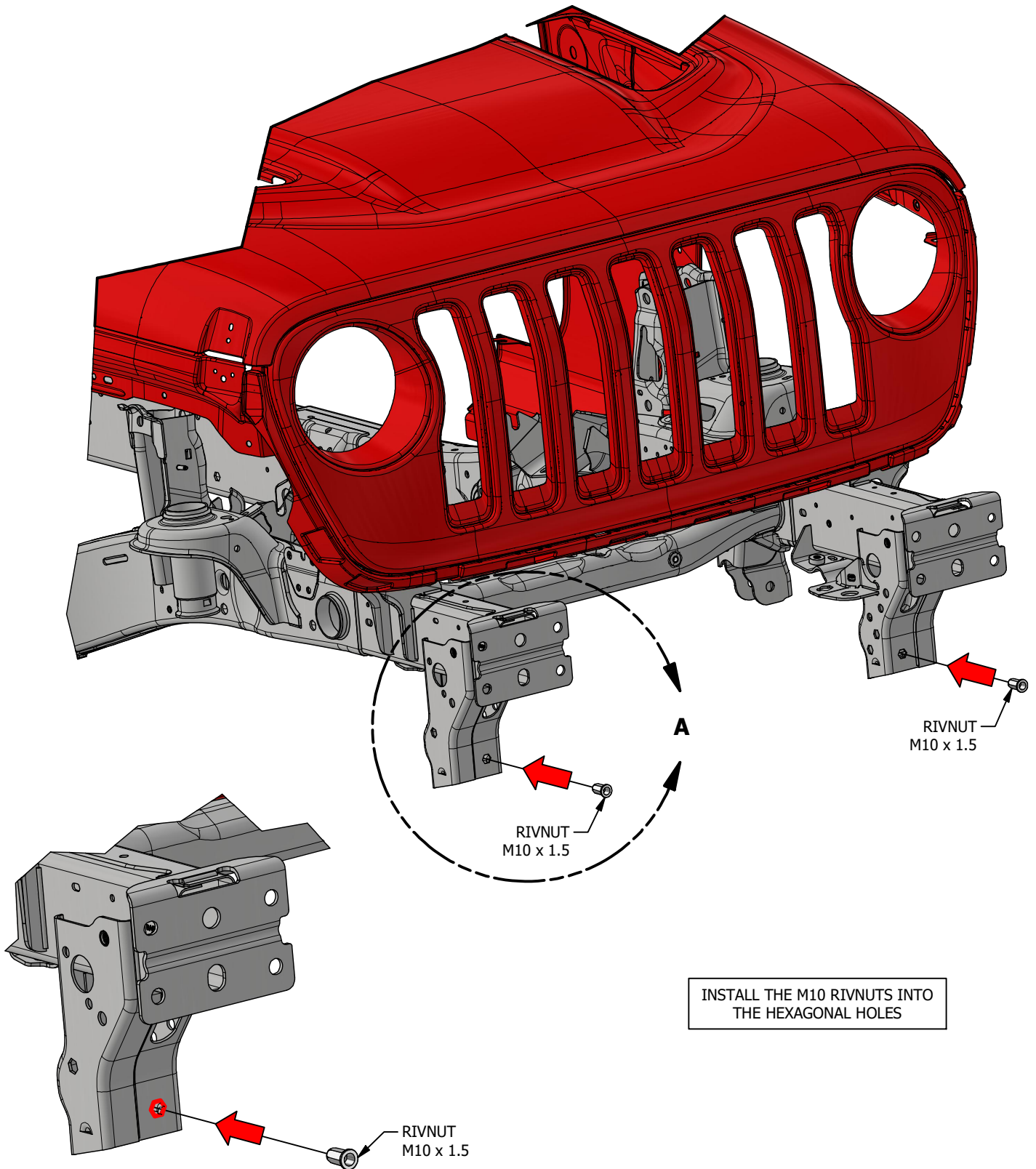
HEX BOLT
7/16 x 1" GR 8 ZINC
QTY 3



FLAT WASHER
7/16"
QTY 11

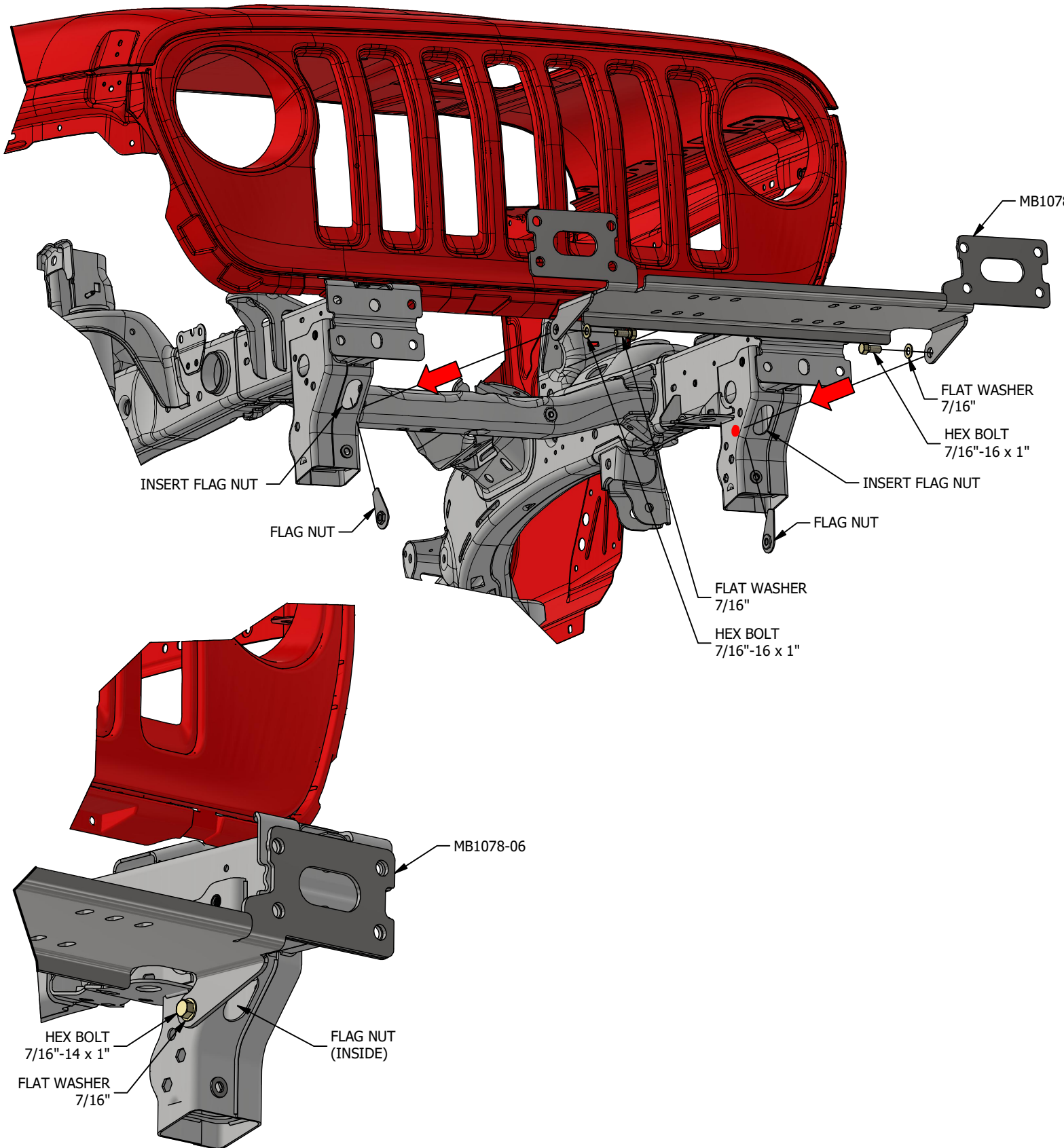


NYLOCK HEX BOLT
7/16" GR 8 ZINC
QTY 9

MB1078 - Assembly Instructions Crusher Front Bumper - JL/JT**INSTALLING RIVNUTS****DETAIL A**

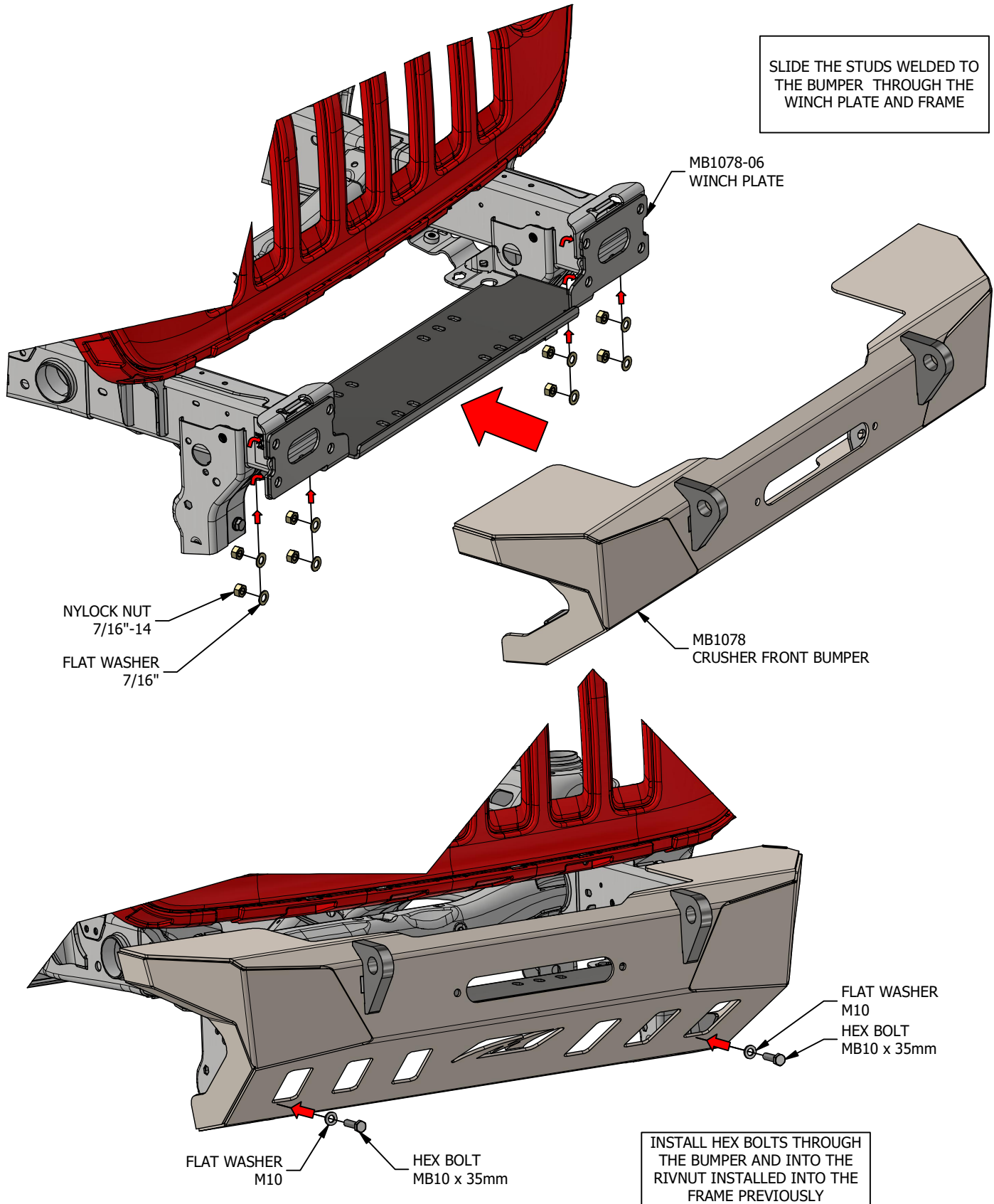
MB1078 - Assembly Instructions Crusher Front Bumper - JL/JT

WINCH PLATE INSTALLATION



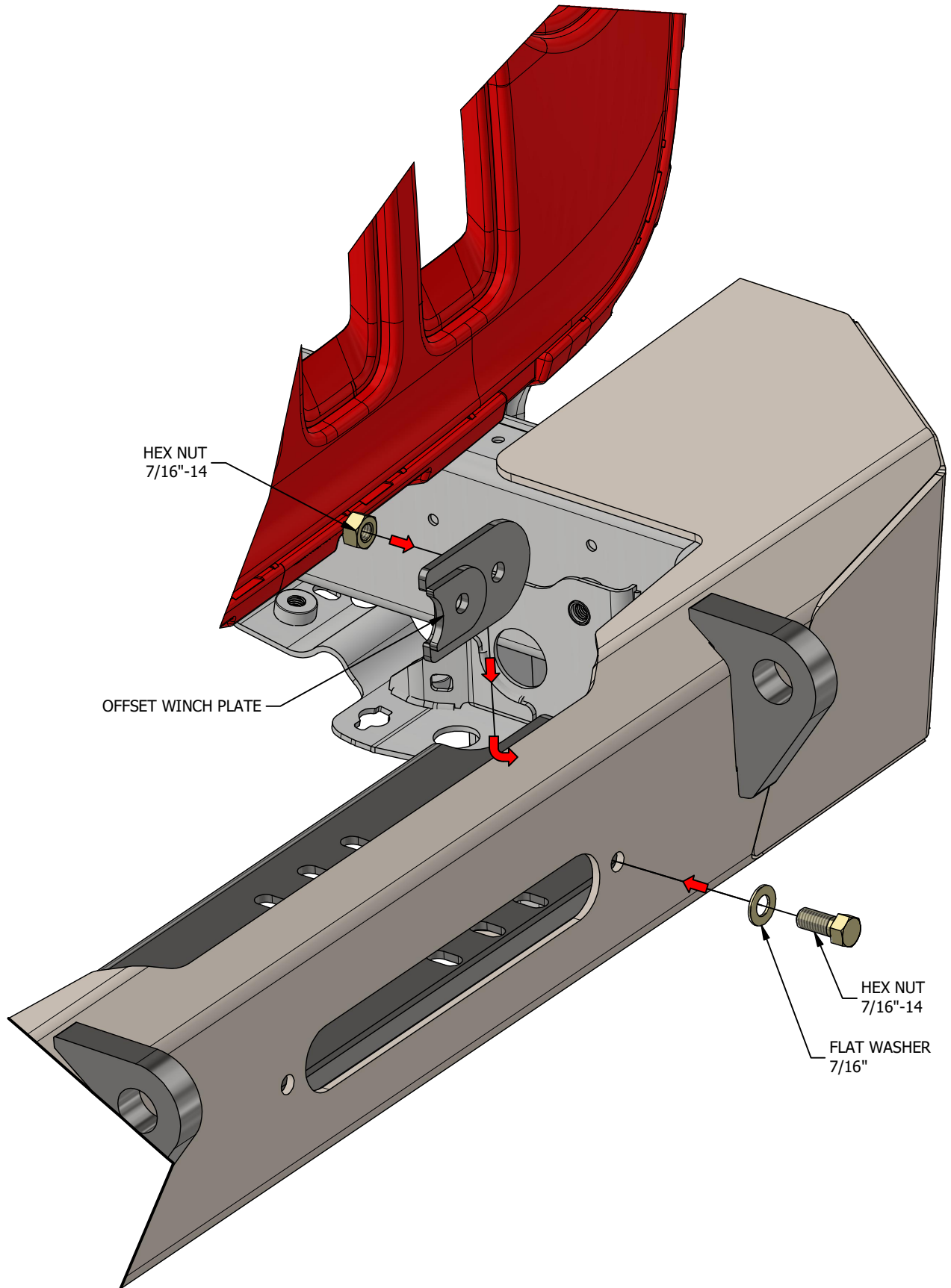
MB1078 - Assembly Instructions Crusher Front Bumper - JL/JT

BUMPER INSTALLATION



MB1078 - Assembly Instructions Crusher Front Bumper - JL/JT

OFFSET WINCH PLATE (OPTIONAL)



HEX NUT
7/16"-14

OFFSET WINCH PLATE

HEX NUT
7/16"-14

FLAT WASHER
7/16"