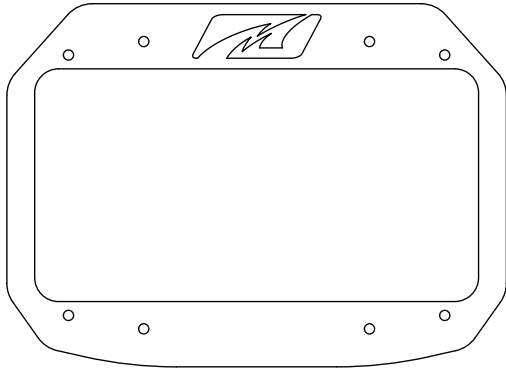
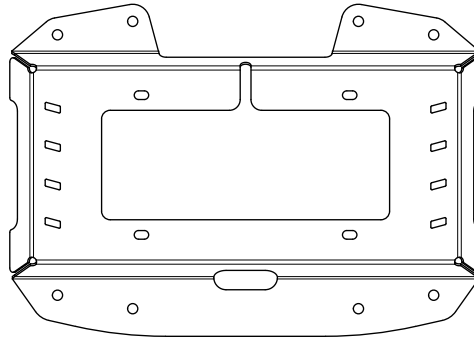


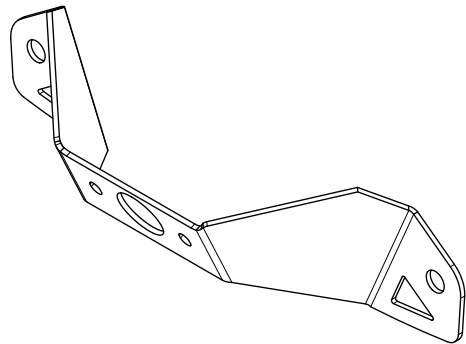
INSTALLED WITH FACTORY HARDWARE
 ASSEMBLED WITH INCLUDED HARDWARE



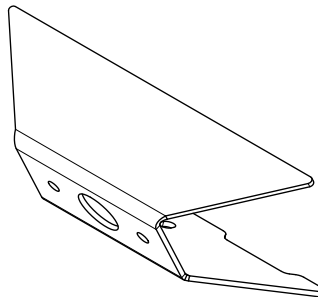
#MB1077-01
 QTY 1



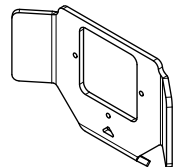
#MB1077-02
 QTY 1



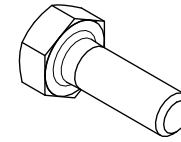
#MB1077-3C
 QTY 1



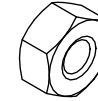
#MB1077-3D
 QTY 1



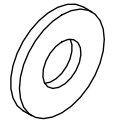
#MB1077-04
 QTY 1



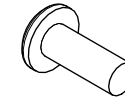
HEX BOLT
 1/4-20 x 3/4 GR 8 ZINC
 QTY 4



NYLOCK HEX NUT
 1/4-20
 QTY 4



1/4" FLAT WASHER
 QTY 8



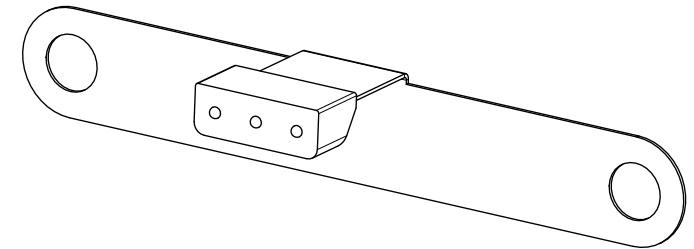
BUTTON HEAD SOCKET CAP SCREW
 #10-24 x 1/2 STAINLESS
 QTY 3



NYLOCK HEX NUT
 #10-24 ZINC
 QTY 3



BUTTON HEAD SOCKET CAP SCREW
 M3-0.5 x 8 mm BLACK OXIDE
 QTY 3



INCLUDES: TAG LIGHT, 6 FT HARNESS, & 3 SOLDER SEAL CONNECTORS

LD-PL6
 TAG LIGHT KIT
 QTY 1
 (OPTIONAL)



Dwg/Part No:

MB1077 - Customer

Description:

Jeep JL Spare Tire Delete Tag Mount

Mat'l:

Sheet No: **1** of **1**

Rev No: **0**