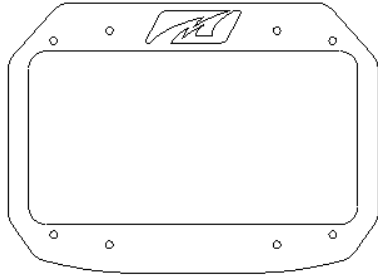
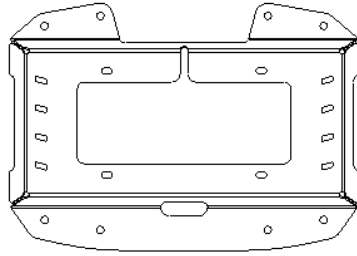


# MB1077 SPARE TIRE DELETE TAG MOUNT FOR JEEP JL / JLU Contents

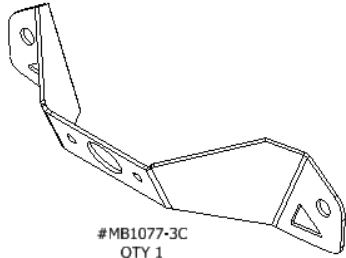
INSTALLED WITH FACTORY HARDWARE  
ASSEMBLED WITH INCLUDED HARDWARE



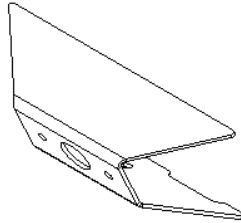
#MB1077-01  
QTY 1



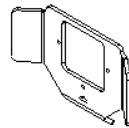
#MB1077-02  
QTY 1



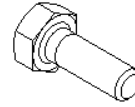
#MB1077-3C  
QTY 1



#MB1077-3D  
QTY 1



#MB1077-04  
QTY 1



HEX BOLT  
1/4-20 x 3/4 GR 8 ZINC  
QTY 4



NYLOCK HEX NUT  
1/4-20  
QTY 4



1/4" FLAT WASHER  
QTY 8



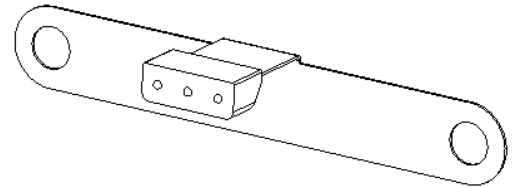
BUTTON HEAD SOCKET CAP SCREW  
#10-24 x 1/2 STAINLESS  
QTY 3



NYLOCK HEX NUT  
#10-24 ZINC  
QTY 3



BUTTON HEAD SOCKET CAP SCREW  
M3-0.5 x 8 mm BLACK OXIDE  
QTY 3



INCLUDES: TAG LIGHT, 6 FT HARNESS, & 3 SOLDER SEAL CONNECTORS

LD-PL6  
TAG LIGHT KIT  
QTY 1  
(OPTIONAL)

**Pre-Installation**

Paint or powder coat all steel components supplied with this kit.

It is normal to see superficial rust present on bare steel products. To remove, use a scotch brite pad & WD-40.

Please note, all Motobilt products are shipped with a light coating of anti-corrosion liquid prior to shipping. For best results, use acetone (or a similar degreasing & cleaning solution) to thoroughly clean all steel products prior to painting or powder coating.



**MB1077 SPARE TIRE DELETE TAG MOUNT FOR JEEP JL / JLU - Installation Instructions**

- 1** Remove factory spare tire carrier from the tail gate. You will be reusing the eight (8) factory mounting bolts that secure the tire carrier to the tail gate.
- 2** Remove the factory back-up camera from the factory spare tire carrier. You will be mounting the camera in a new housing supplied with this kit. You will NOT be reusing any factory hardware to mount your camera. New hardware is supplied.
- 3** Remove license plate from your factory license plate mount.
- 4** Remove your factory license plate mount.
- 5** Reroute your factory license plate light wiring through the tailgate.

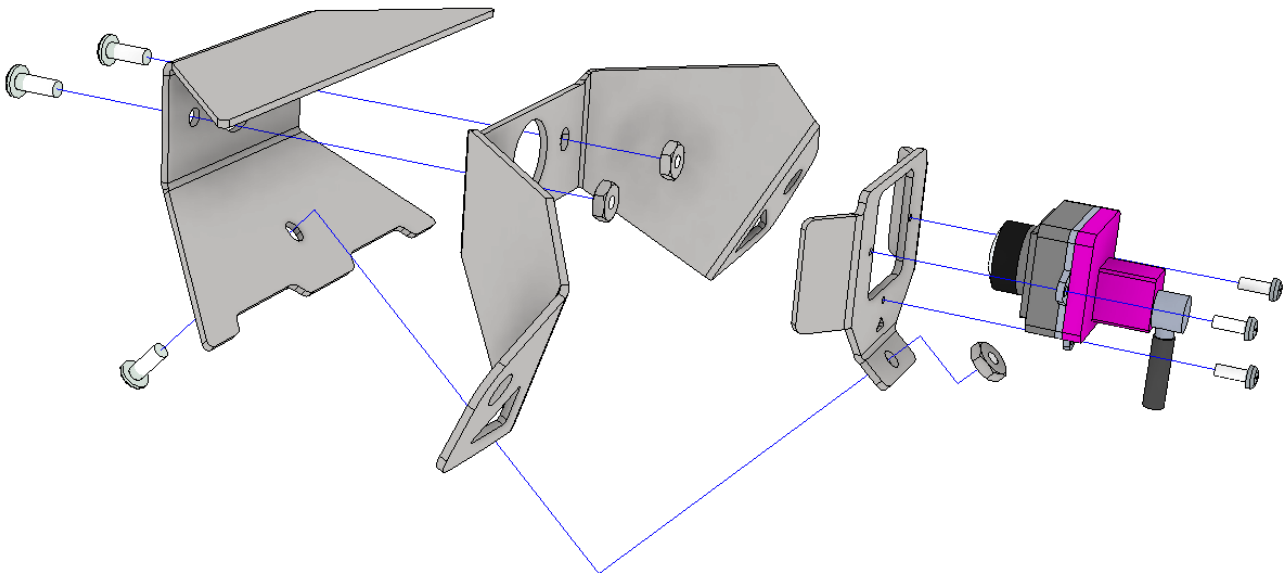
**Pro Installation Tip**

We recommend purchasing & installing an LED license plate light (Motobilt #LD-PL6), or similar. This will facilitate extending, routing & connecting your license plate light later in these installation instructions.

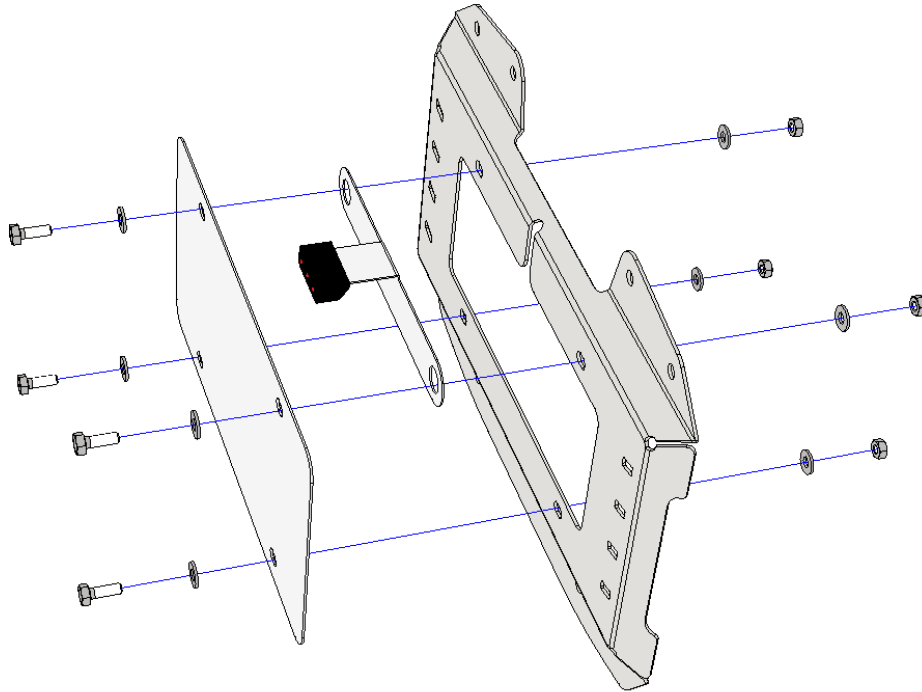


**MB1077 SPARE TIRE DELETE TAG MOUNT FOR JEEP JL / JLU - Installation Instructions**

- 6** Loosely place the wires for the license plate light as well as, the back-up camera cable through the vent openings in the exterior of the tail gate.
- 7** Clean all exterior painted surfaces of the tail gate.
- 8** Assemble camera housing, as shown:

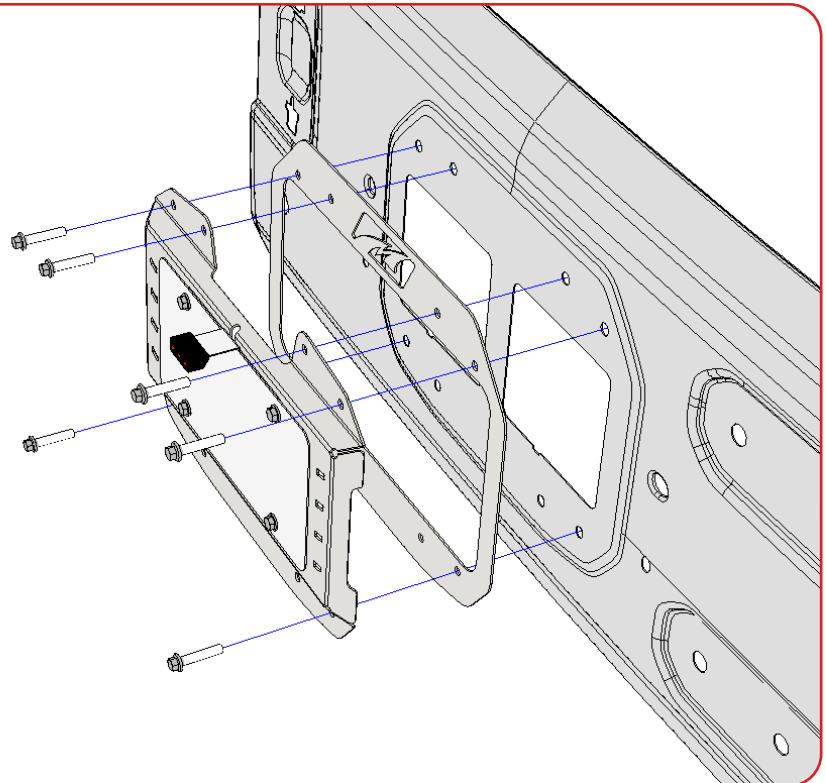


- 9** Assemble license plate & optional license plate light, as shown:



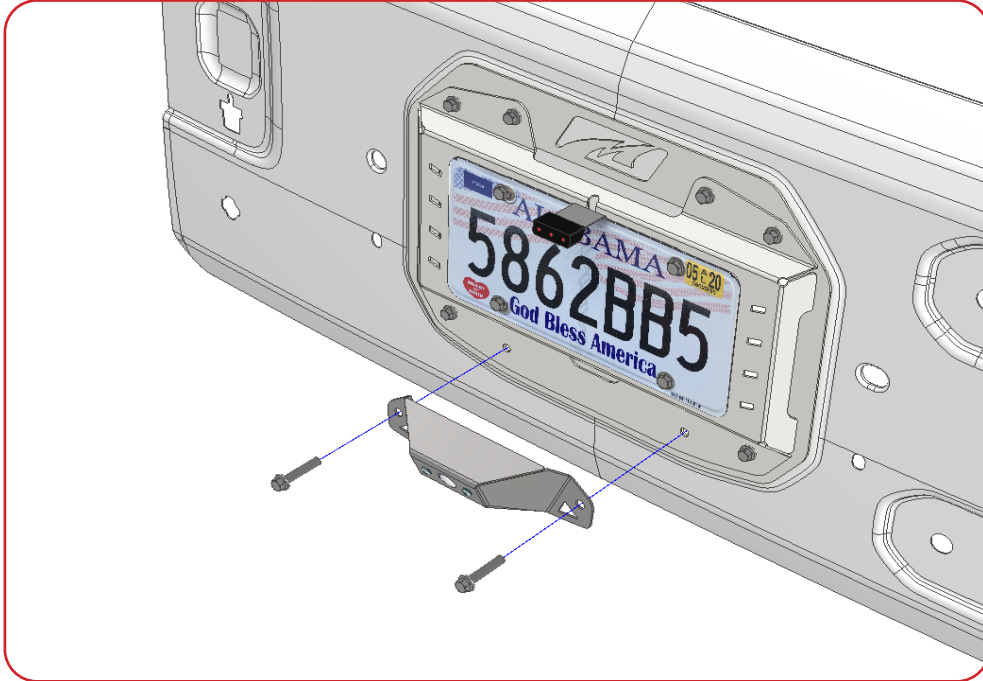
- 10** Connect license plate light wiring (optional). Assemble components on tail gate. Reuse six (6) of the eight (8) factory M8 fasteners.

Do NOT install the two lowest bolts.



**MB1077 SPARE TIRE DELETE TAG MOUNT FOR JEEP JL / JLU - Installation Instructions**

- 10** Connect the camera cable to the back-up camera. Install the camera housing assembly with the tail gate using the remaining two (2) factory M8 fasteners, as shown:



- 12** Test functions of license plate light & back-up camera.