

# INSTALLATION INSTRUCTIONS

# MB1076 JEEP JK REAR FENDERS



Dwg/Part No:  
**MB1076**

Description:

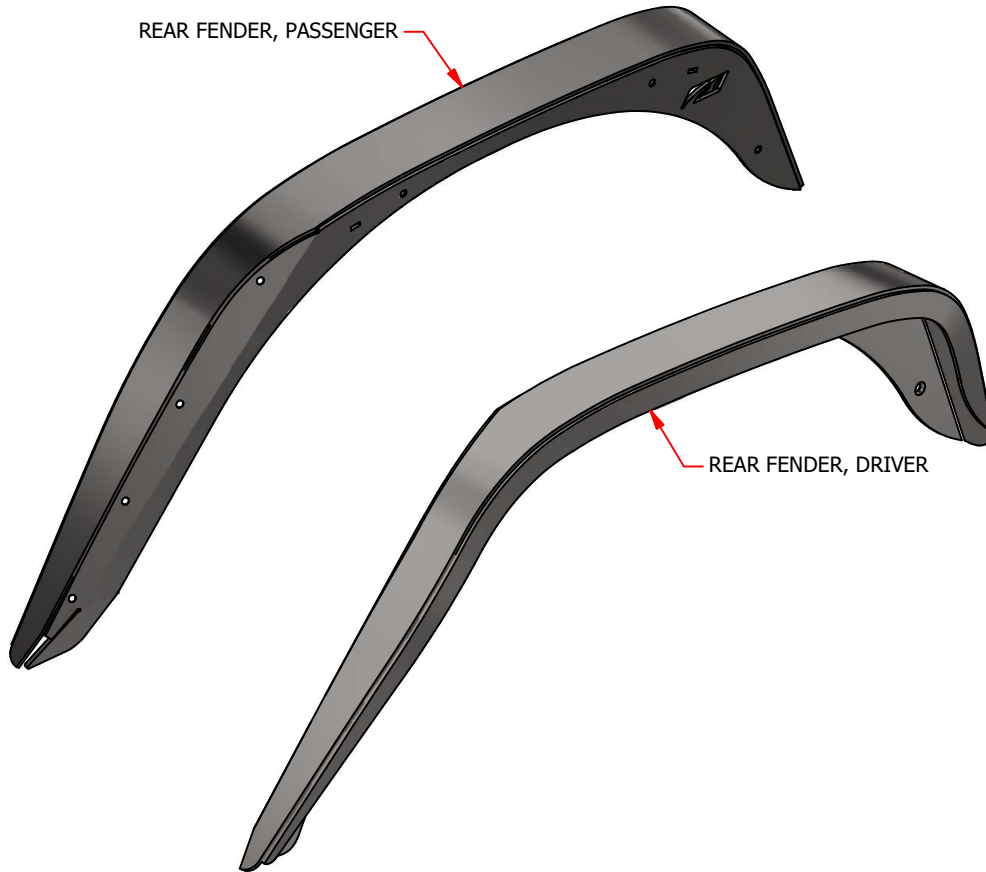
**Installation Instructions**

Sheet No: **1** of **11**  
Rev No: **0**

Mat'l:

# PACKAGE CONTENTS

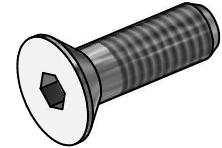
REAR FENDER, PASSENGER



REAR FENDER, DRIVER



x 12 pcs  
Rivnut 5/16"-18 UNC



x 14 pcs  
Flat Head Socket Countersunk Screw  
5/16"-18 UNC x 1.0" long



x 2 pcs  
SAE Flat Washer  
5/16"



x 2 pcs  
Nylock Nut  
5/16"-18 UNC

## ATTENTION:

All Motobilt fabricated steel products are shipped as unfinished bare metal. We apply a temporary light coating of anti-rust product prior to shipping.

We recommend the removal of the temporary anti-rust product on all our fabricated steel products by degreasing & cleaning using acetone prior to finishing.

We also recommend to paint or powder coat finish all fabricated steel products, unfinished bolts and/or unfinished screws prior to final installation to avoid rust.



Dwg/Part No:

**MB1076**

Description:

**Installation Instructions**

Sheet No: **2** of **11**

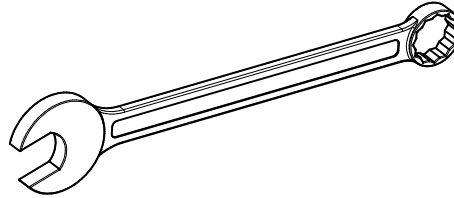
Rev No: **0**

Mat'l:

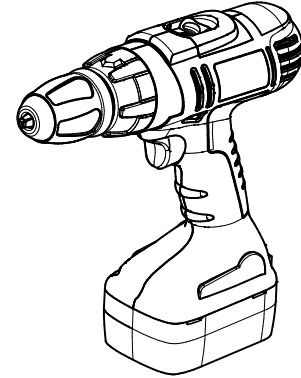
# TOOLS REQUIRED



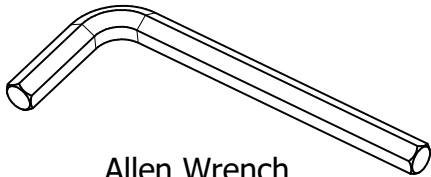
Panel Removal Tool



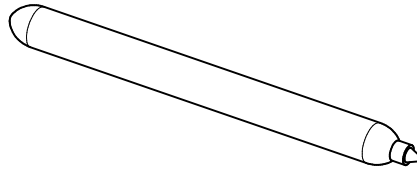
Combination Wrench  
1/2"



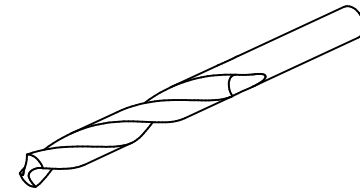
Drill



Allen Wrench  
3/16"



Marker



Drill Bits  
5/16"  
17/32"



Dwg/Part No:  
**MB1076**

Description:

**Installation Instructions**

Sheet No: **3** of **11**

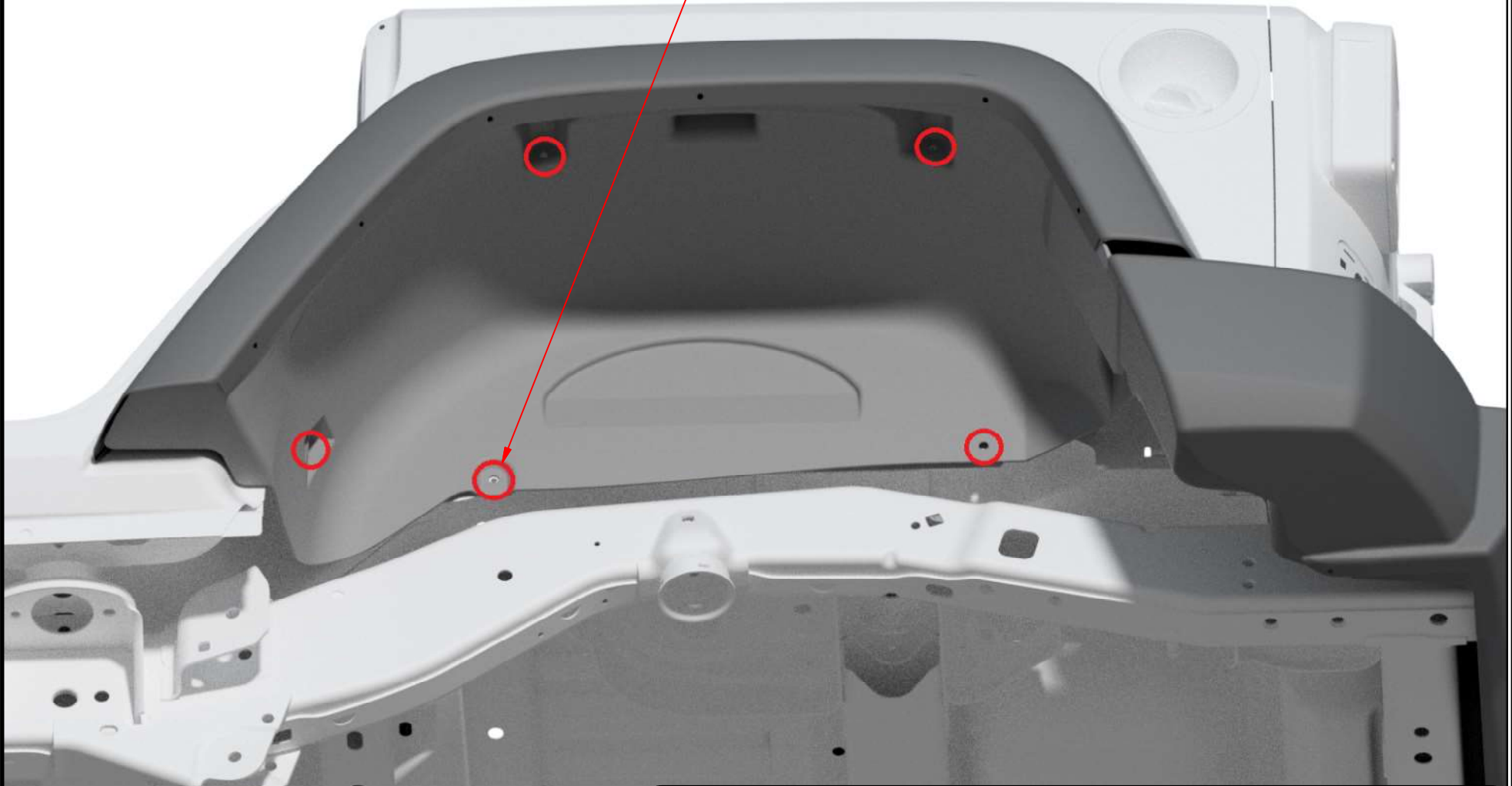
Rev No: **0**

Mat'l:

# DISASSEMBLY



Remove all Plastic Clips using Panel Removal Tool then remove Stock Inner Fender Liner



Dwg/Part No:  
**MB1076**

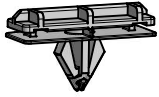
Description:

**Installation Instructions**

Sheet No: **4** of **11**

Rev No: **0**

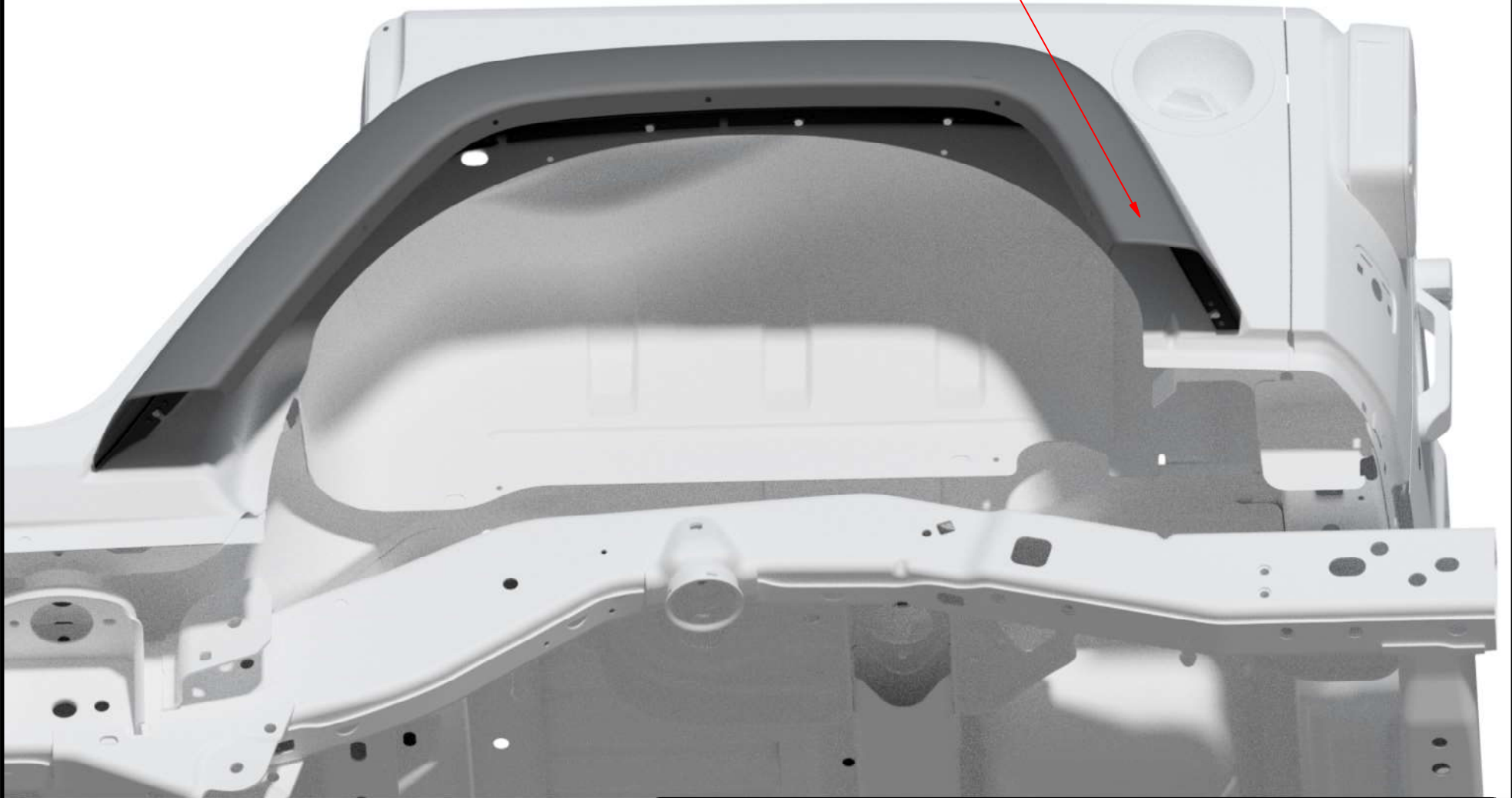
Mat'l:



Plastic Clip Style that holds  
Outer Fender to Body

# DISASSEMBLY

Grasp Outer Fender & Pull  
to release Plastic Clips one  
at a time to separate Outer  
Fender from Body



Dwg/Part No:  
**MB1076**

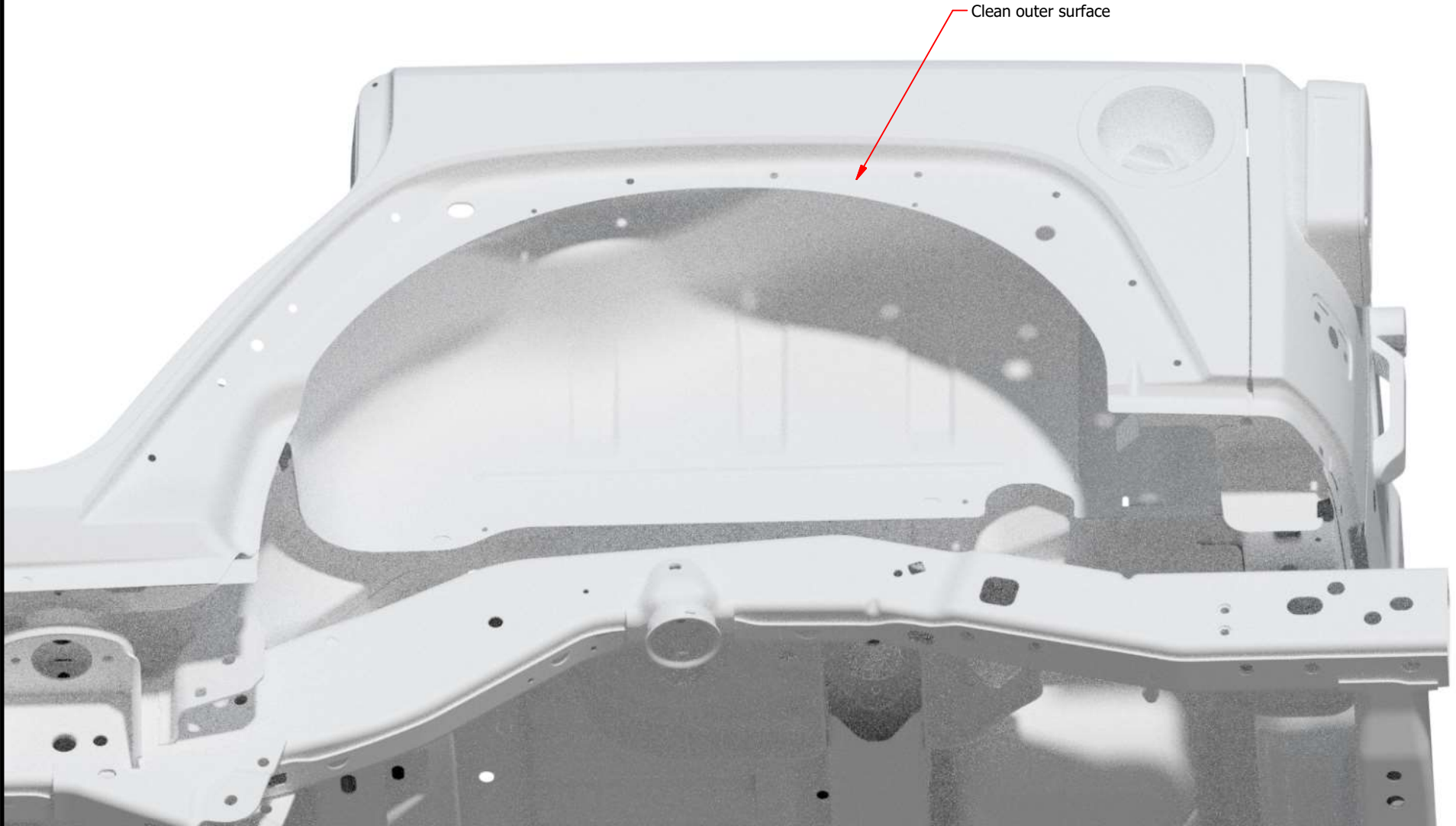
Description:

**Installation Instructions**

Sheet No: **5** of **11**  
Rev No: **0**

Mat'l:

# CLEAN



Dwg/Part No:  
**MB1076**

Description:

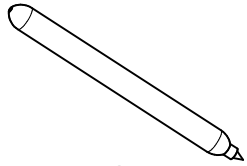
**Installation Instructions**

Sheet No: **6** of **11**

Rev No: **0**

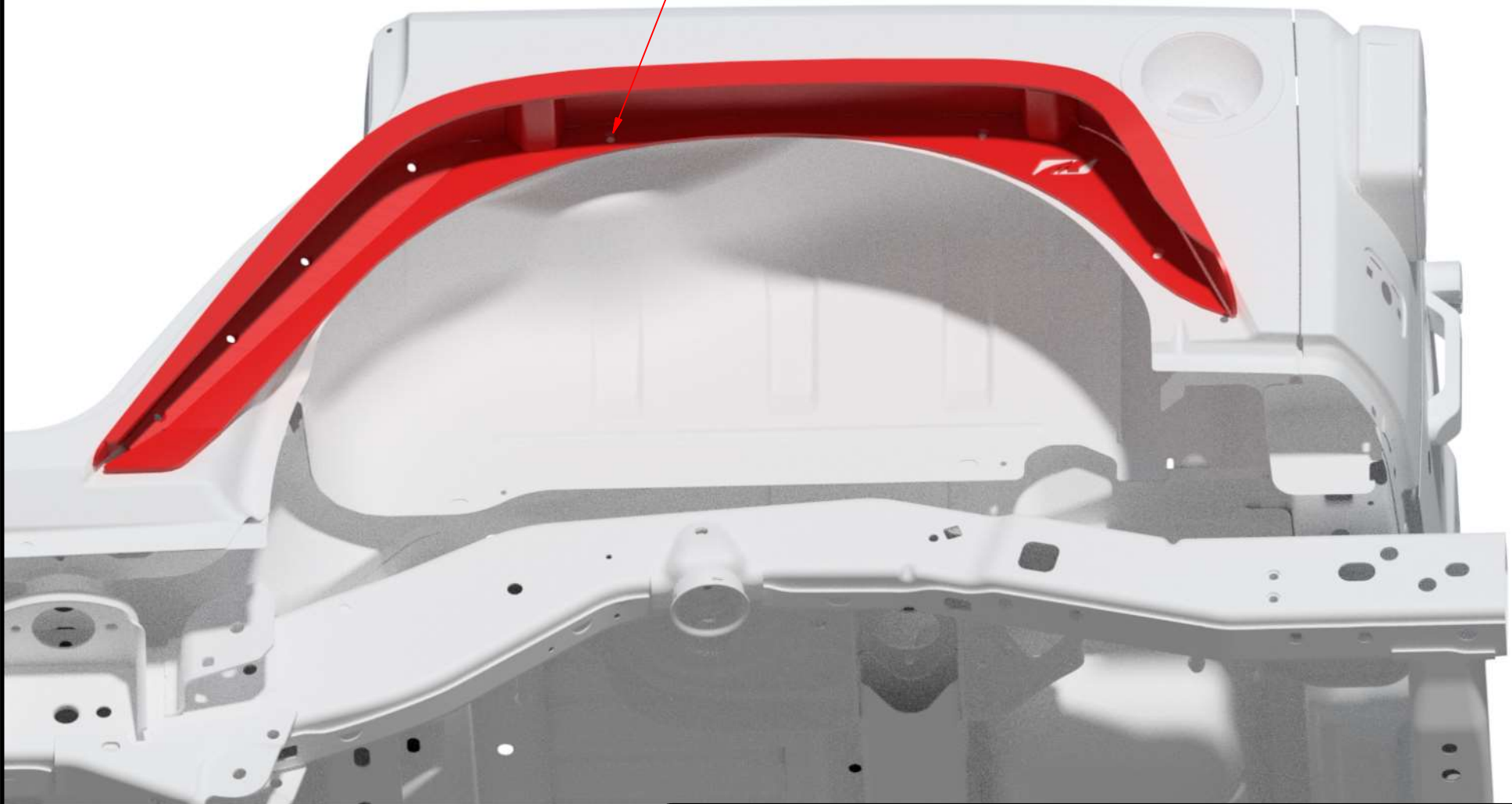
Mat'l:

# MARK 1ST HOLE



Marker

Using the fender as a guide,  
Mark this hole only then  
remove fender



Dwg/Part No:  
**MB1076**

Description:

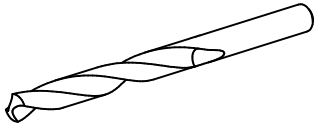
**Installation Instructions**

Sheet No: **7** of **11**

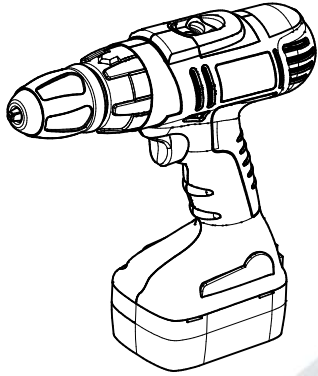
Rev No: **0**

Mat'l:

# Drill one 5/16" Hole

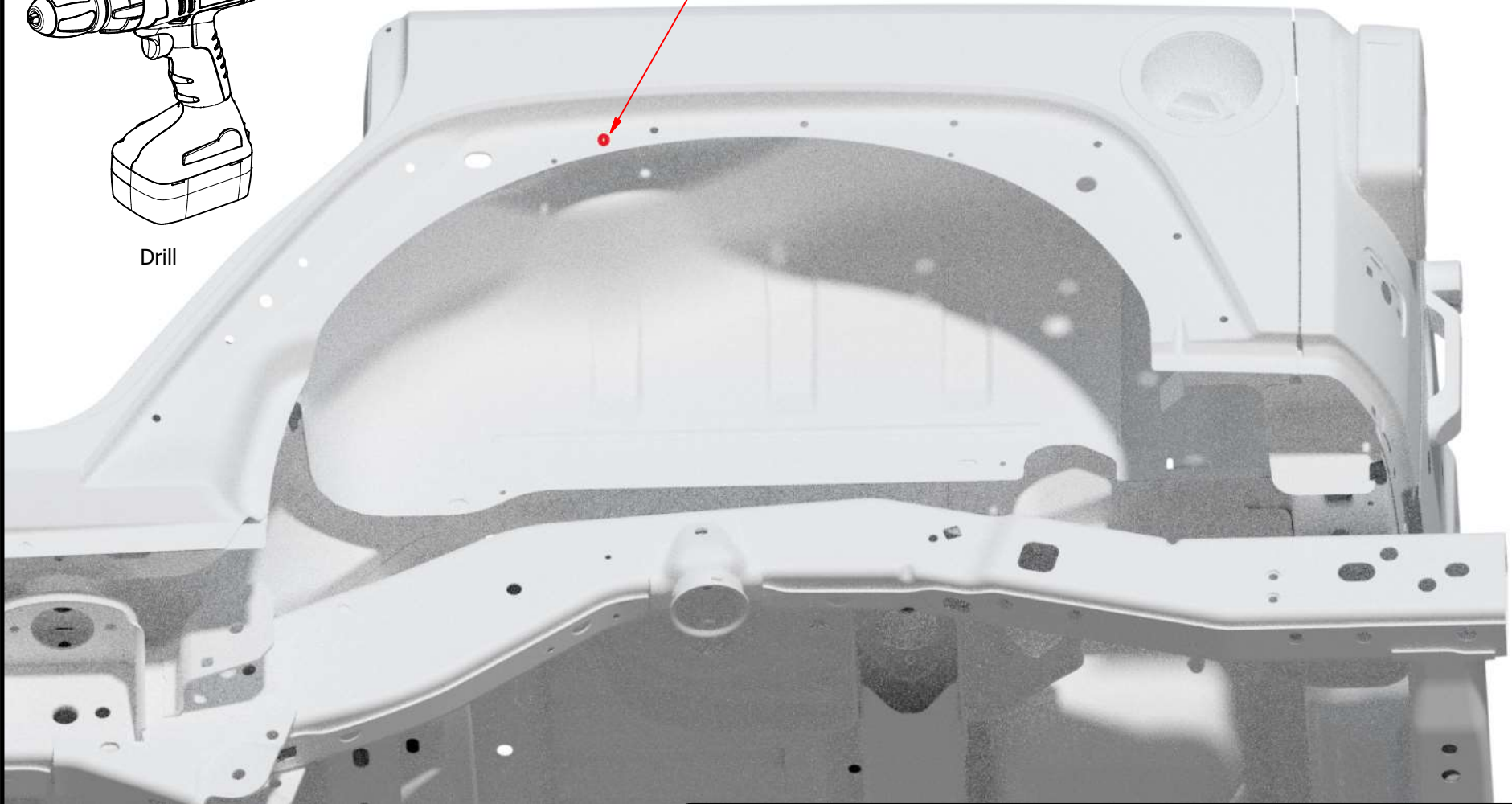


5/16" Drill Bit



Drill

Drill 5/16" hole at marked location



Dwg/Part No:  
**MB1076**

Description:

**Installation Instructions**

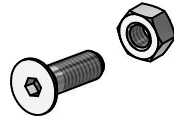
Sheet No: **8** of **11**

Rev No: **0**

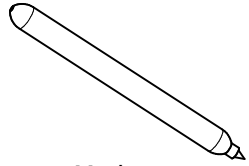
Mat'l:



# MARK REMAINING HOLES

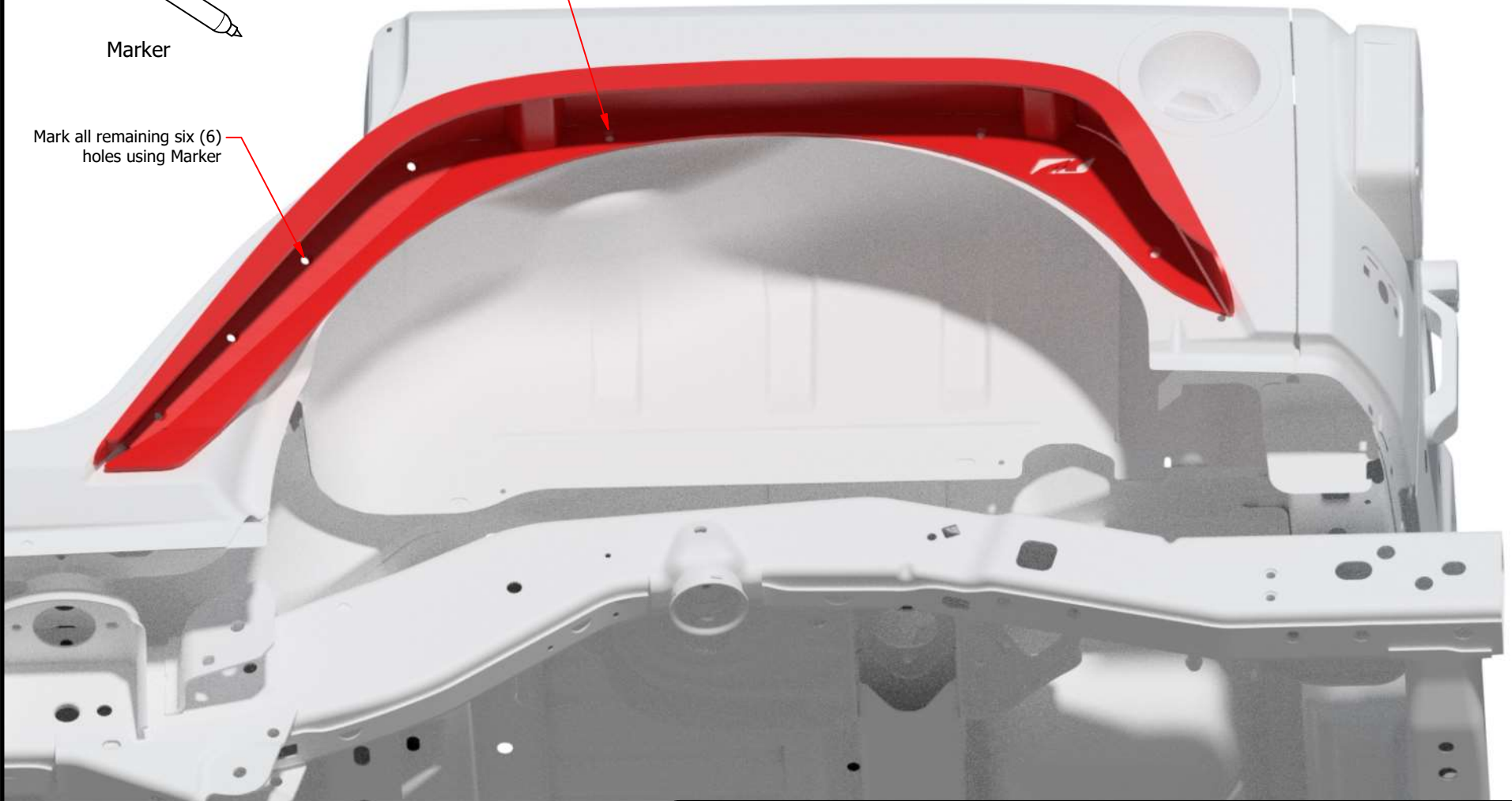


Fasten fender temporarily using Screw & Nut



Marker

Mark all remaining six (6) holes using Marker



Dwg/Part No:  
**MB1076**

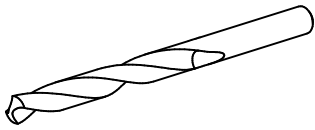
Description:

**Installation Instructions**

Sheet No: **9** of **11**  
Rev No: **0**

Mat'l:

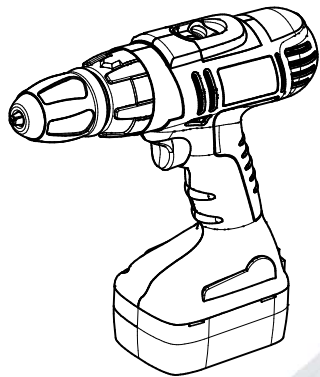
# DRILL HOLES/INSTALL RIVNUTS



17/32" Drill Bit



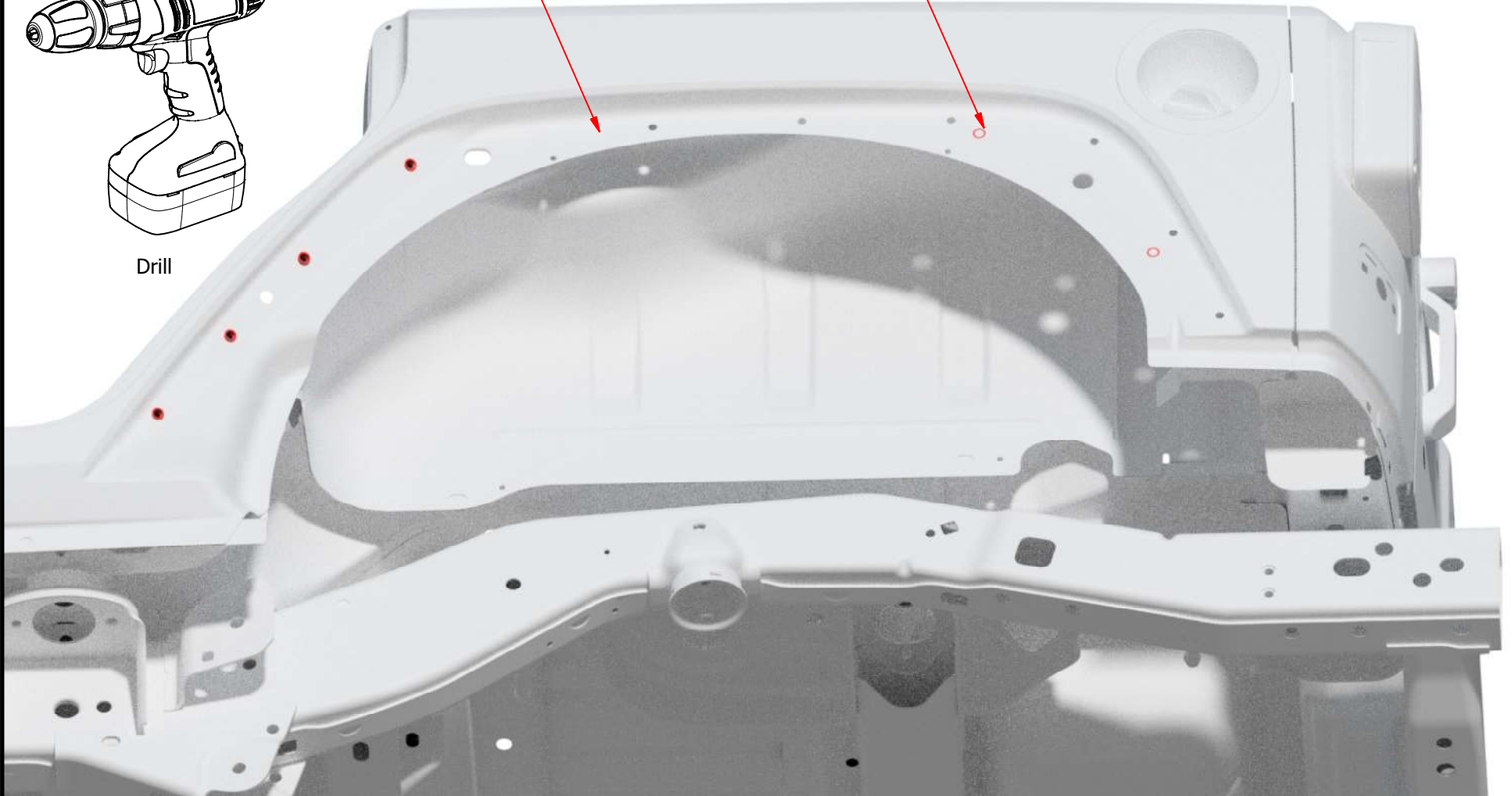
x 6 pcs per side  
Rivnut 5/16"-18 UNC



Drill

Do NOT drill 1st hole  
Leave as 5/16"  
No Rivnut here

Drill six (6) 17/32" holes at marked  
locations then install Rivnuts



Dwg/Part No:  
**MB1076**

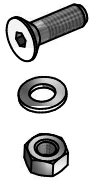
Description:

**Installation Instructions**

Sheet No: **10** of **11**  
Rev No: **0**

Mat'l:

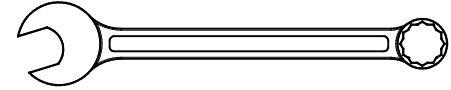
# INSTALL FENDER WITH FASTENERS



One (1) Location



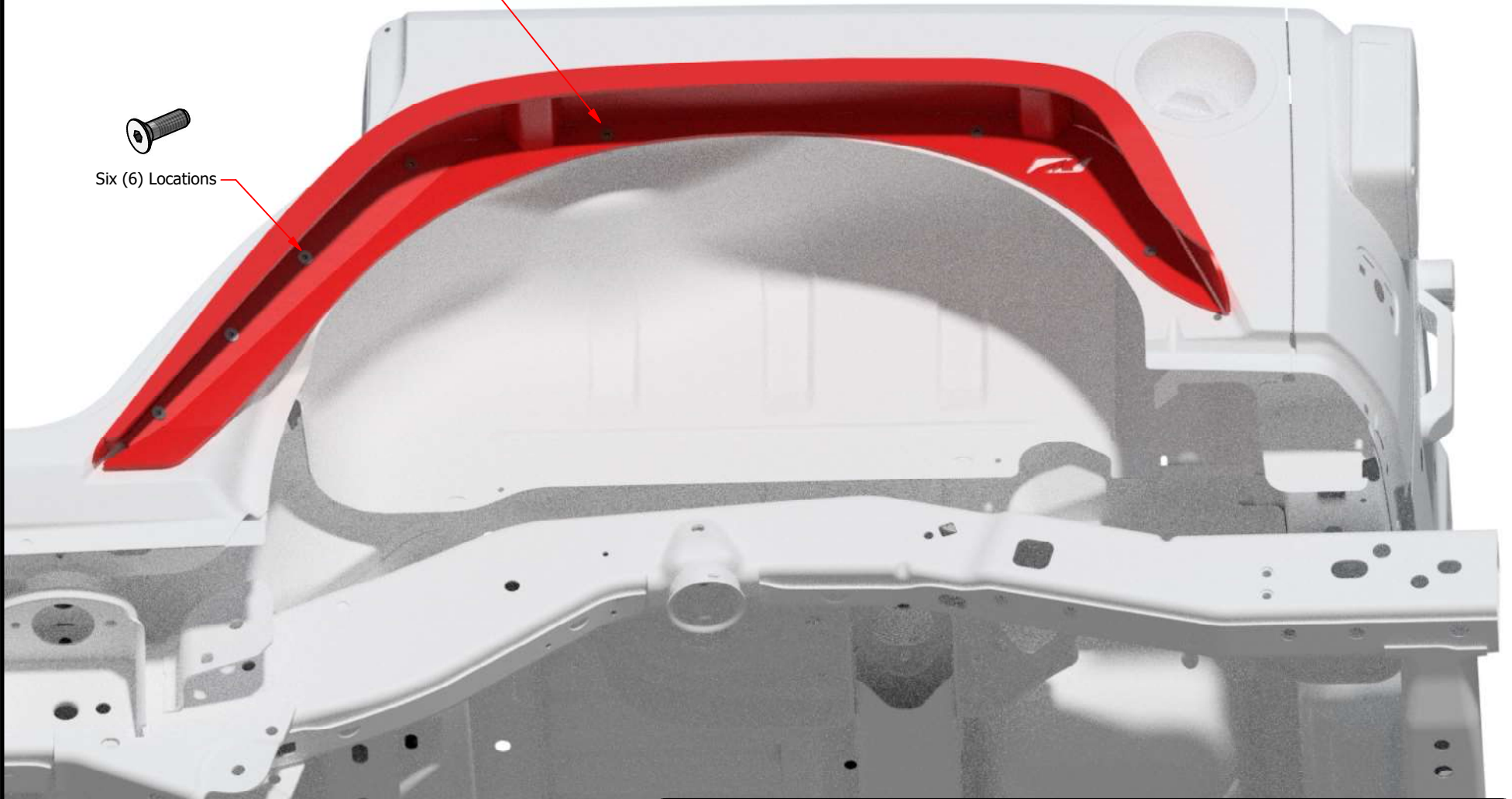
3/16" Allen Wrench



1/2" Wrench



Six (6) Locations



Dwg/Part No:  
**MB1076**

Description:

**Installation Instructions**

Sheet No: **11** of **11**  
Rev No: **0**

Mat'l: