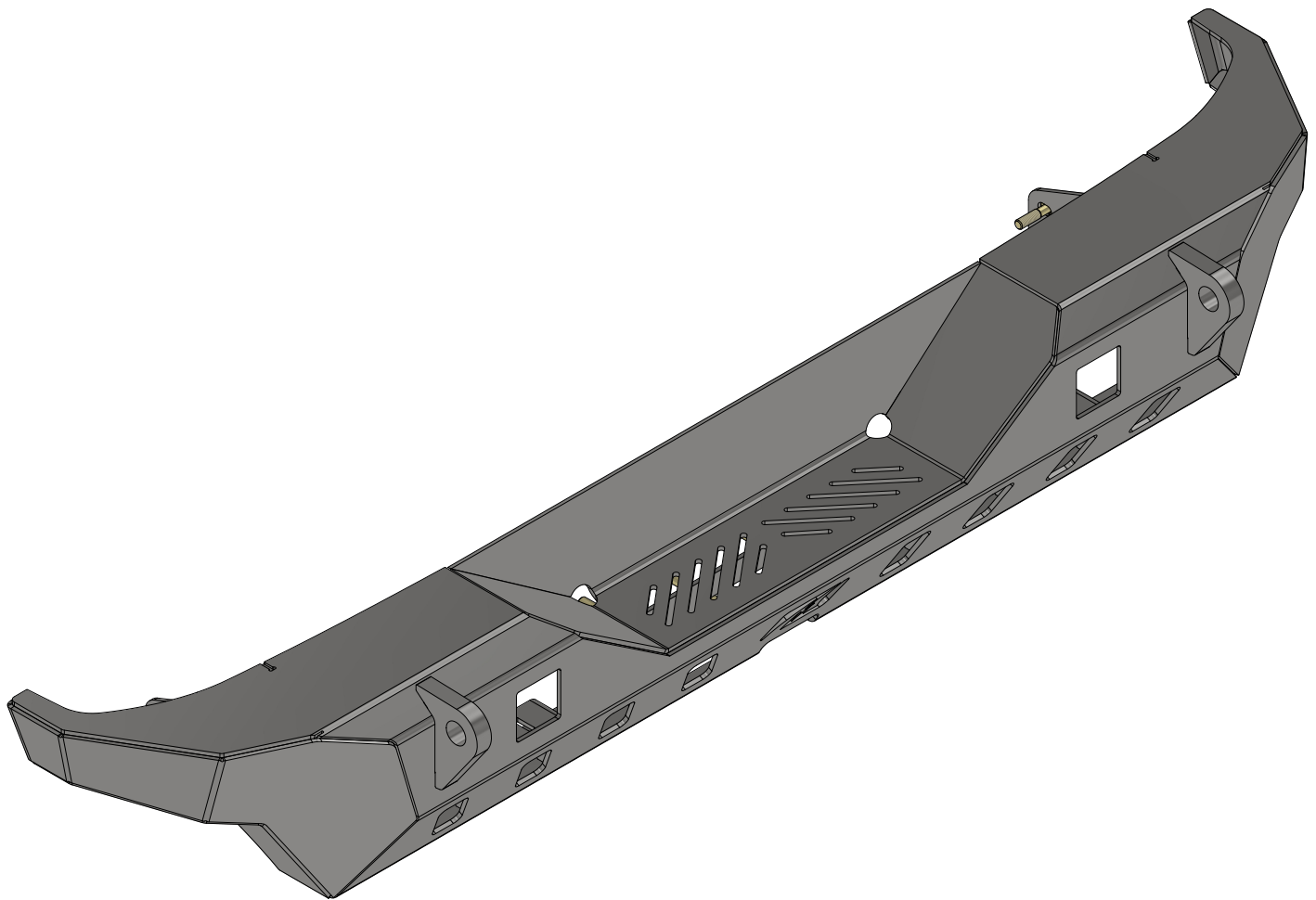


MB1072 - Assembly Instructions Jeep JK Crusher Rear Bumper

MB1072 - CRUSHER REAR BUMPER

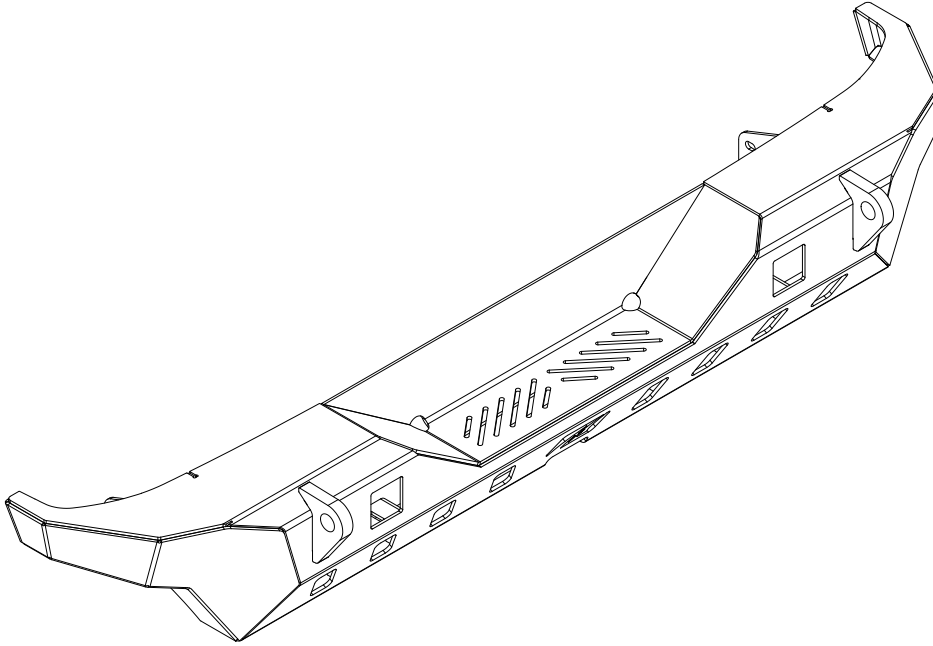
COMPATIBLE WITH JEEP JK/JKU



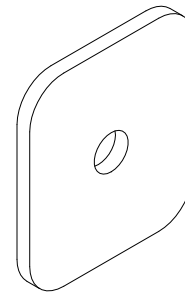
ASSEMBLY INSTRUCTIONS

MB1072 - Shipping Jeep JK Crusher Rear Bumper

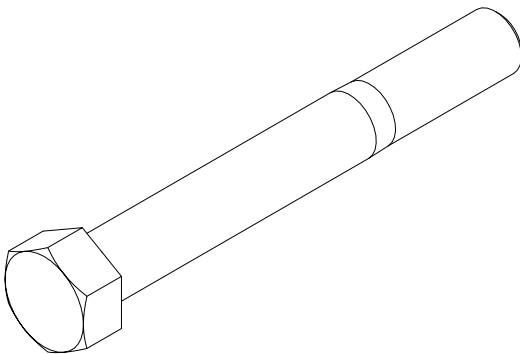
CONTENTS



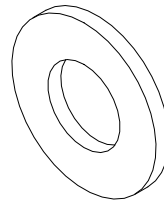
MB1072-01
Qty 1



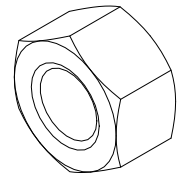
MB1072-08
Qty 2



1/2"-13 x 4" Hex Bolt
Qty 2

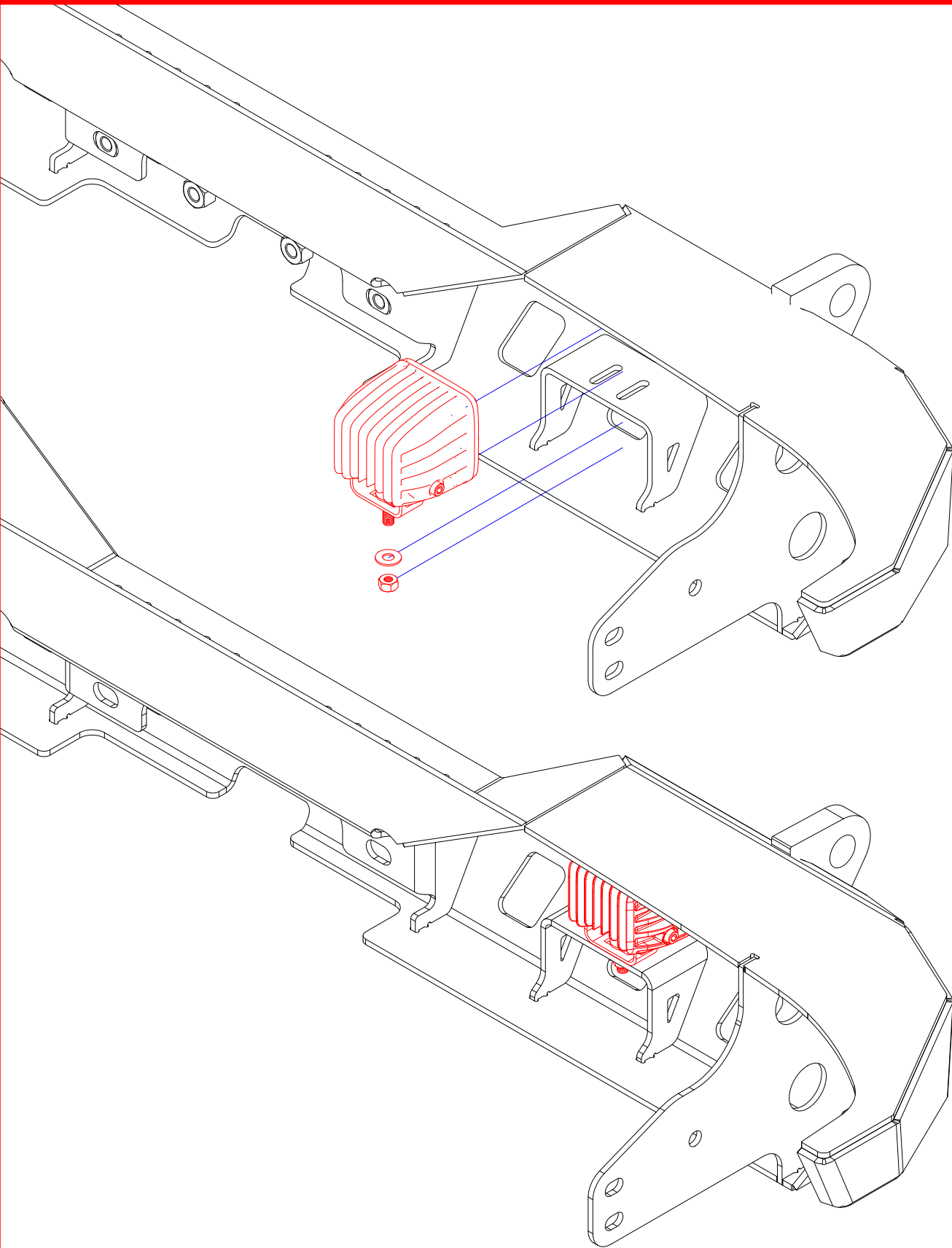


1/2" - Flat Washer
Qty 2

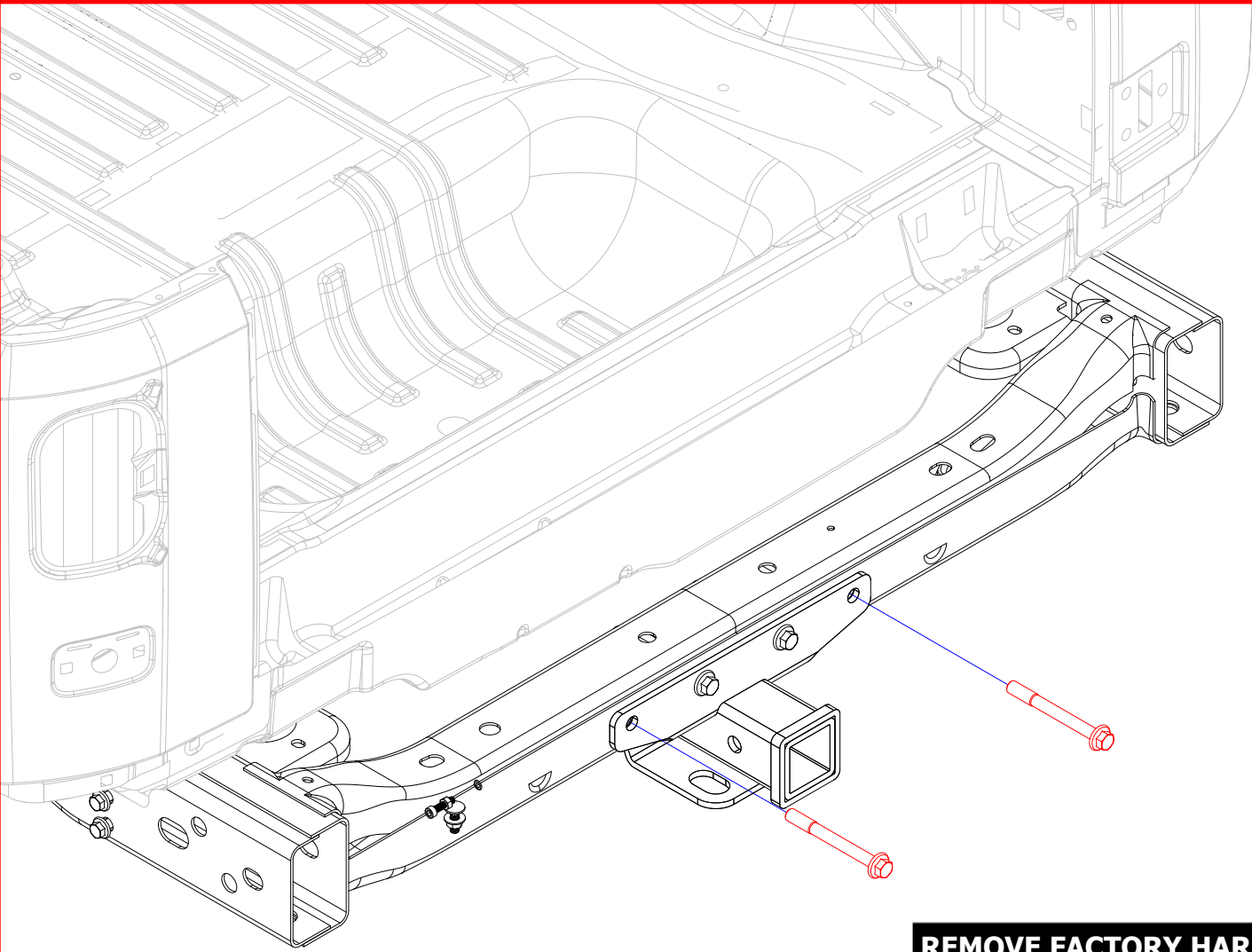


1/2"-13 Nylon Hex Nut
Qty 2

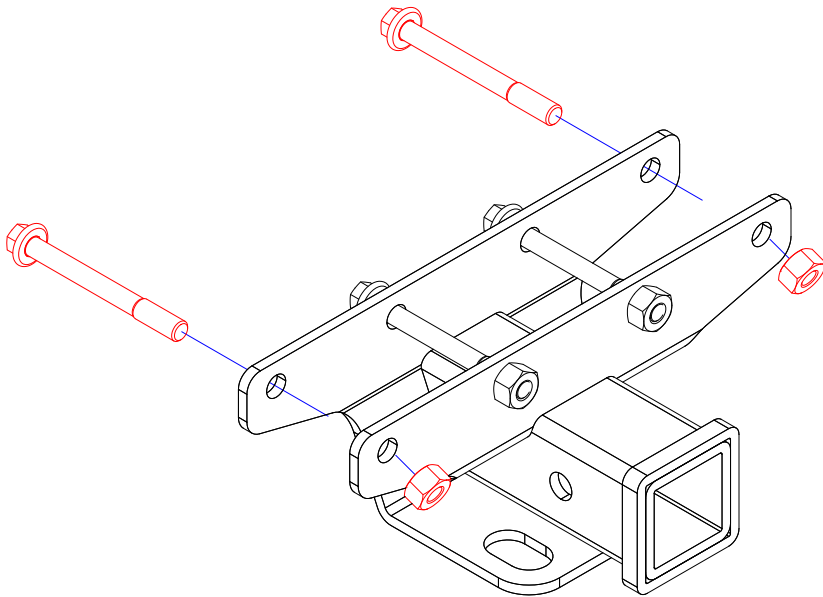
MB1072 - Assembly Instructions Jeep JK Crusher Rear Bumper



MB1072 - Assembly Instructions Jeep JK Crusher Rear Bumper

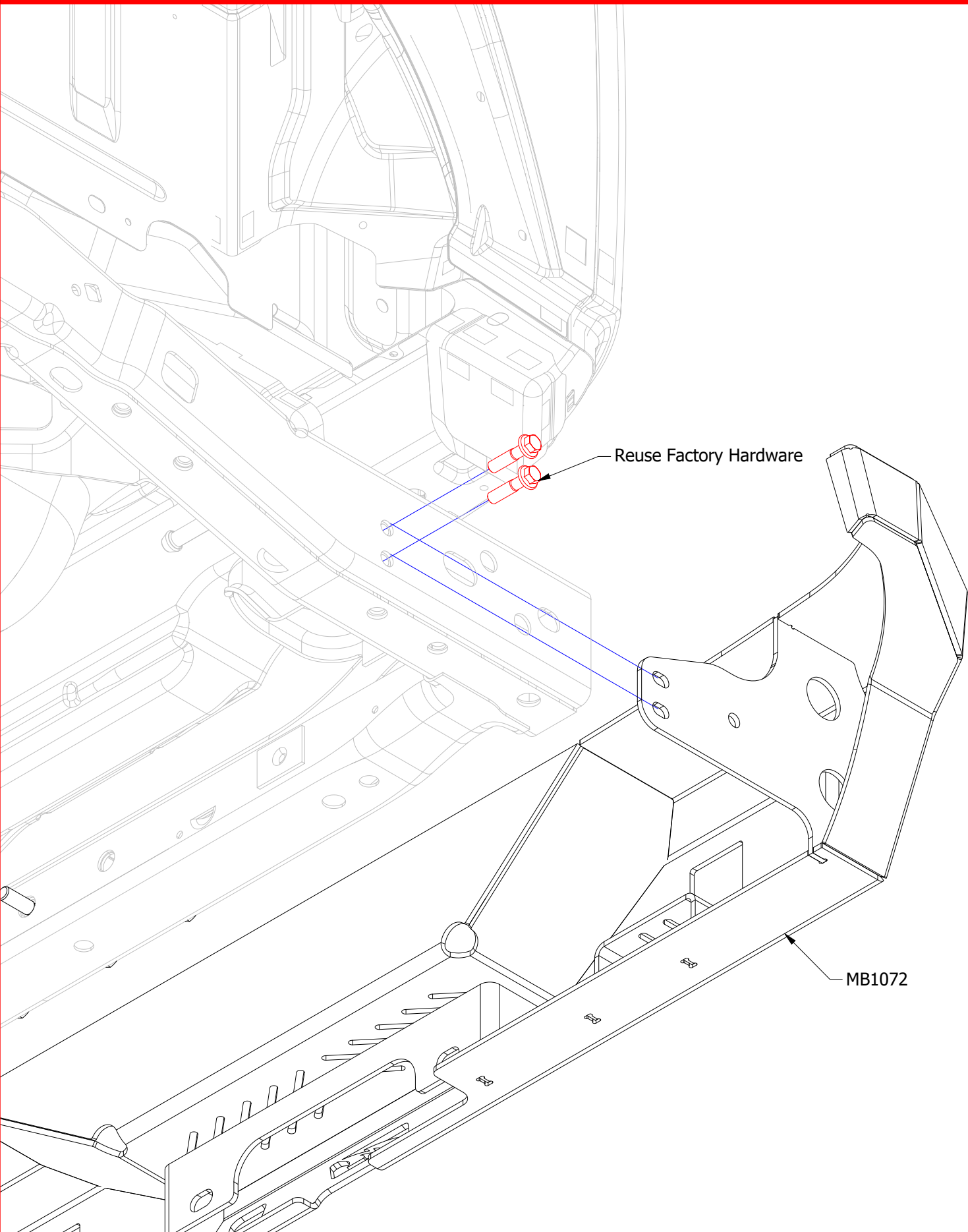


**REMOVE FACTORY HARDWARE
AND SAVE FOR REUSE**

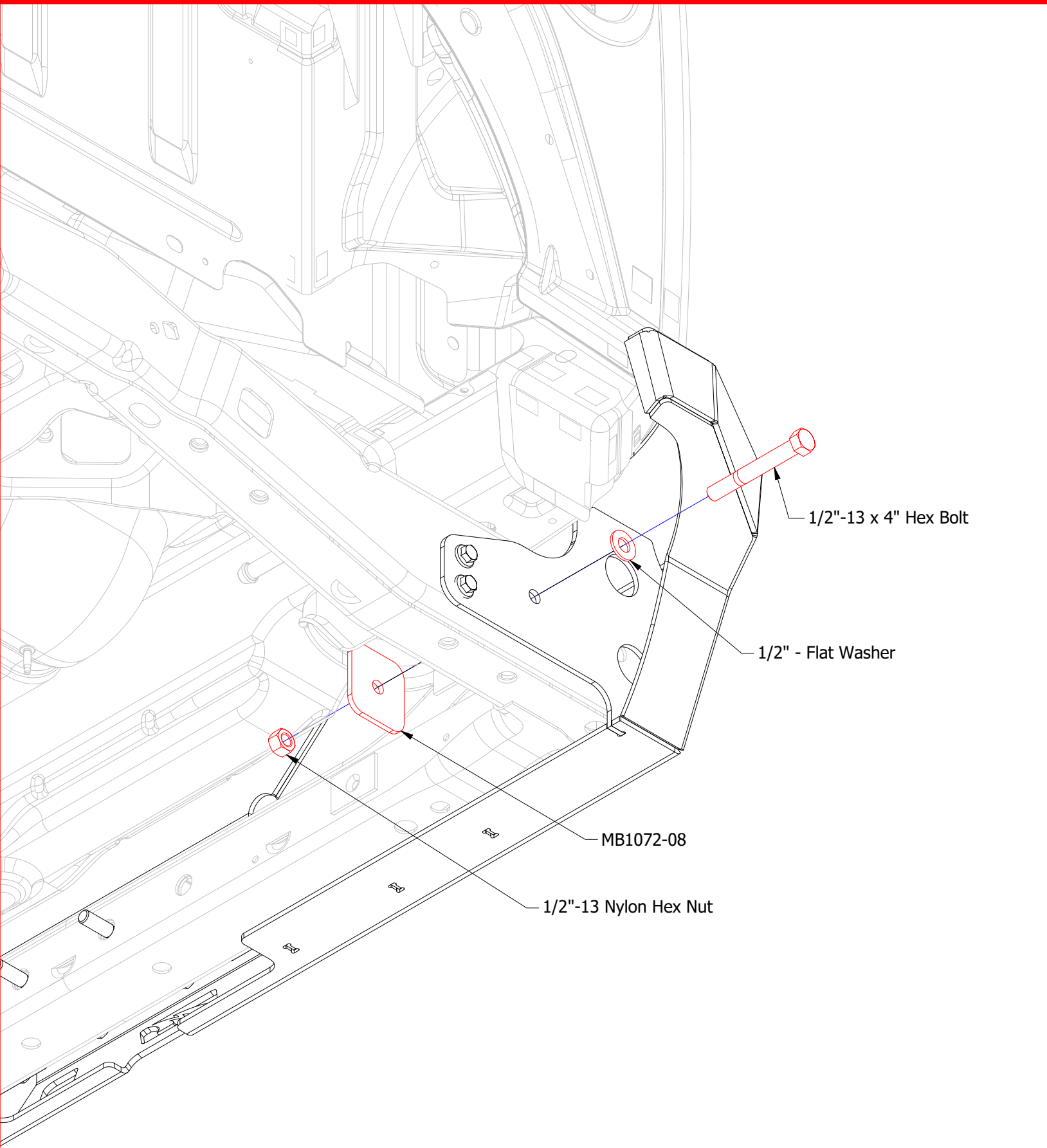


**IF FACTORY HARDWARE IS
REVERSED, REMOVE BOLTS AND
BREAK NUTS OFF FOR REUSE**

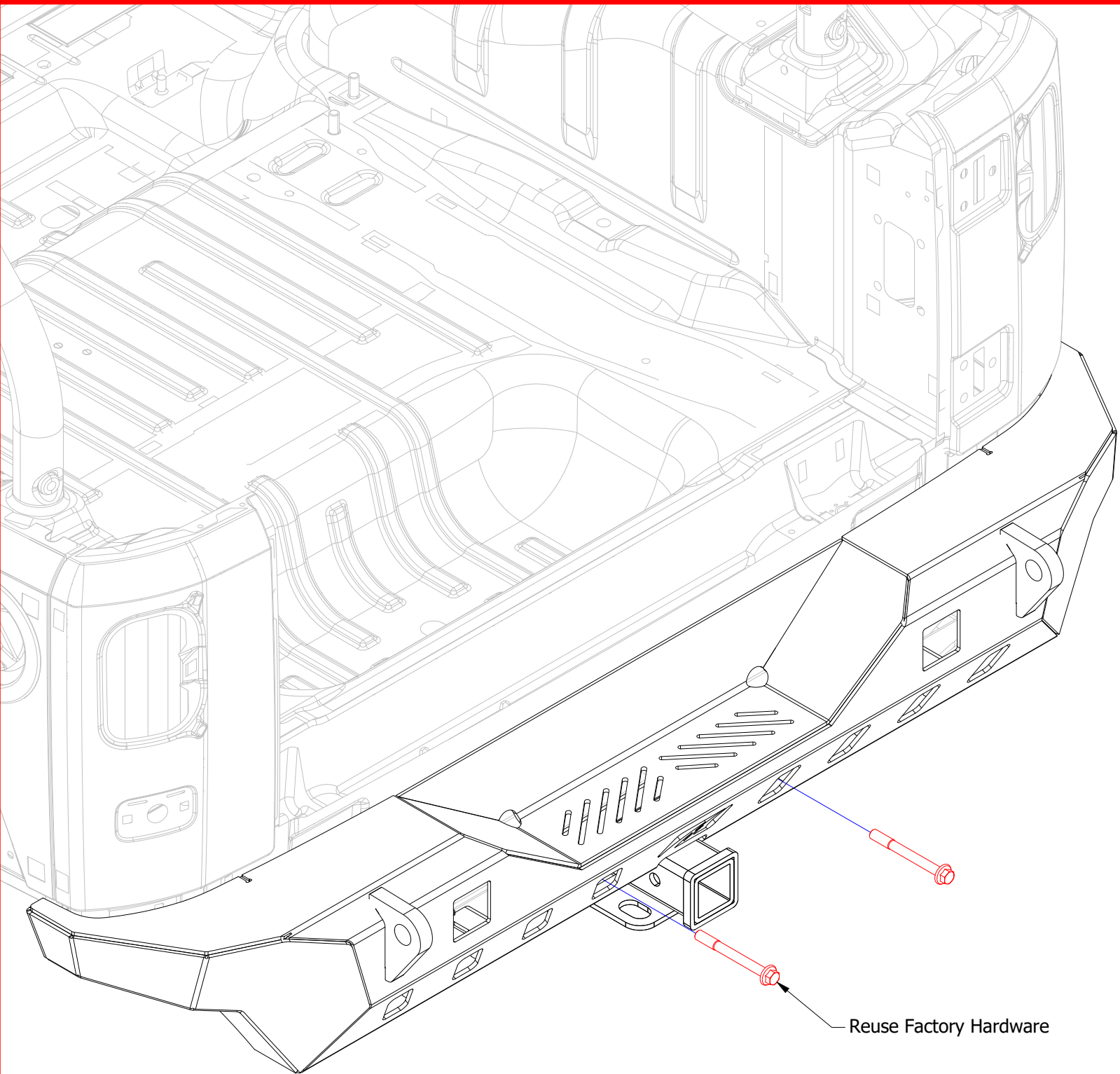
MB1072 - Assembly Instructions Jeep JK Crusher Rear Bumper



MB1072 - Assembly Instructions Jeep JK Crusher Rear Bumper



MB1072 - Assembly Instructions Jeep JK Crusher Rear Bumper



Reuse Factory Hardware