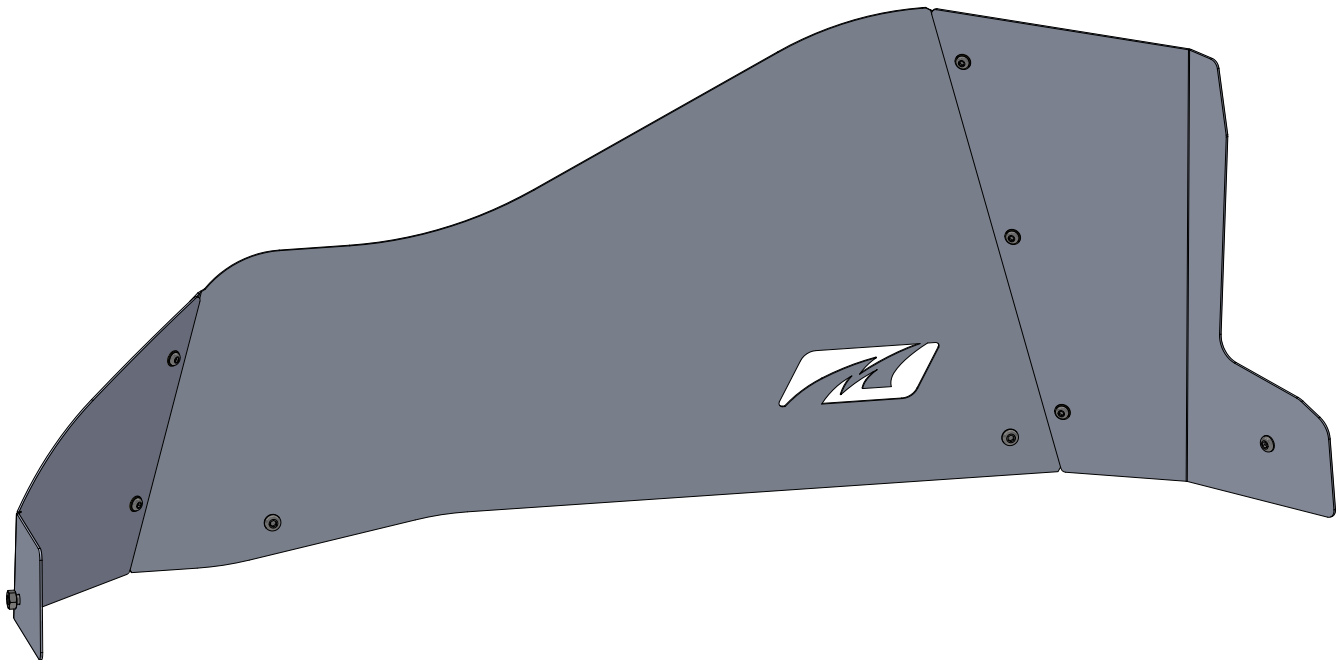


MB1071 - Assembly Instructions For Jeep JK-JKU Rear Inner Fenders

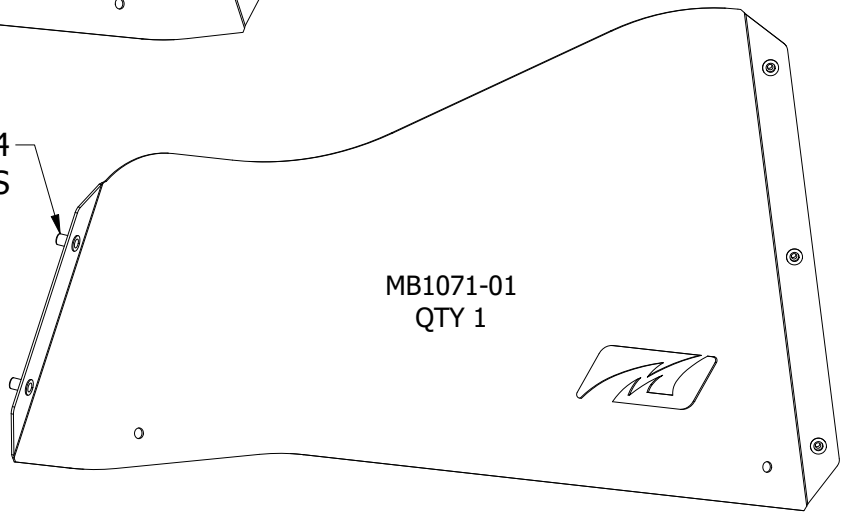
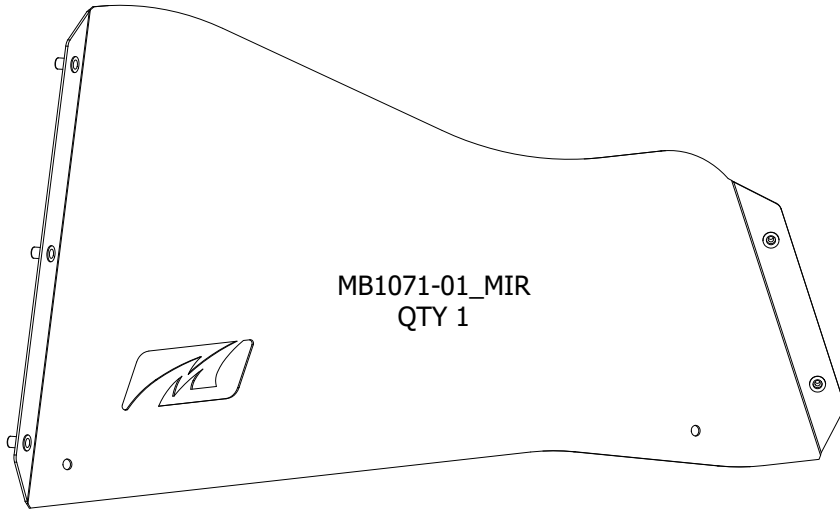
MB1071 - Jeep JK-JKU Rear Inner Fenders



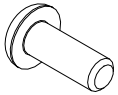
ASSEMBLY INSTRUCTIONS

MB1071 - Shipping

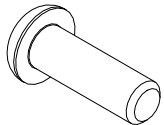
CONTENTS



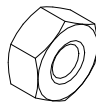
#10-24
PRE-INSTALLED RIVNUTS
QTY 10



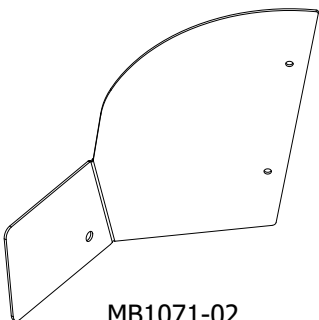
#10-24 x 1/2"
BUTTON HEAD CAP SCREW
QTY 10



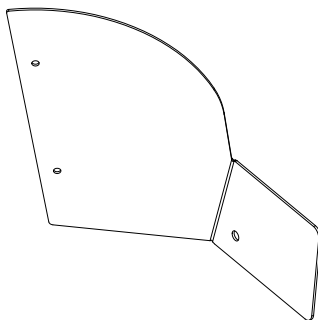
1/4"-20 x 3/4"
BUTTON HEAD CAP SCREW
QTY 8



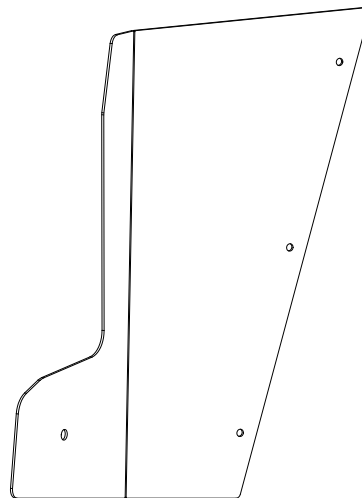
1/4"-20
NYLOCK HEX NUT ZINC
QTY 8



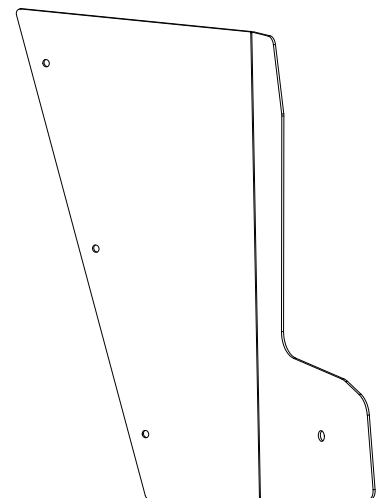
MB1071-02
QTY 1



MB1071-02_MIR
QTY 1



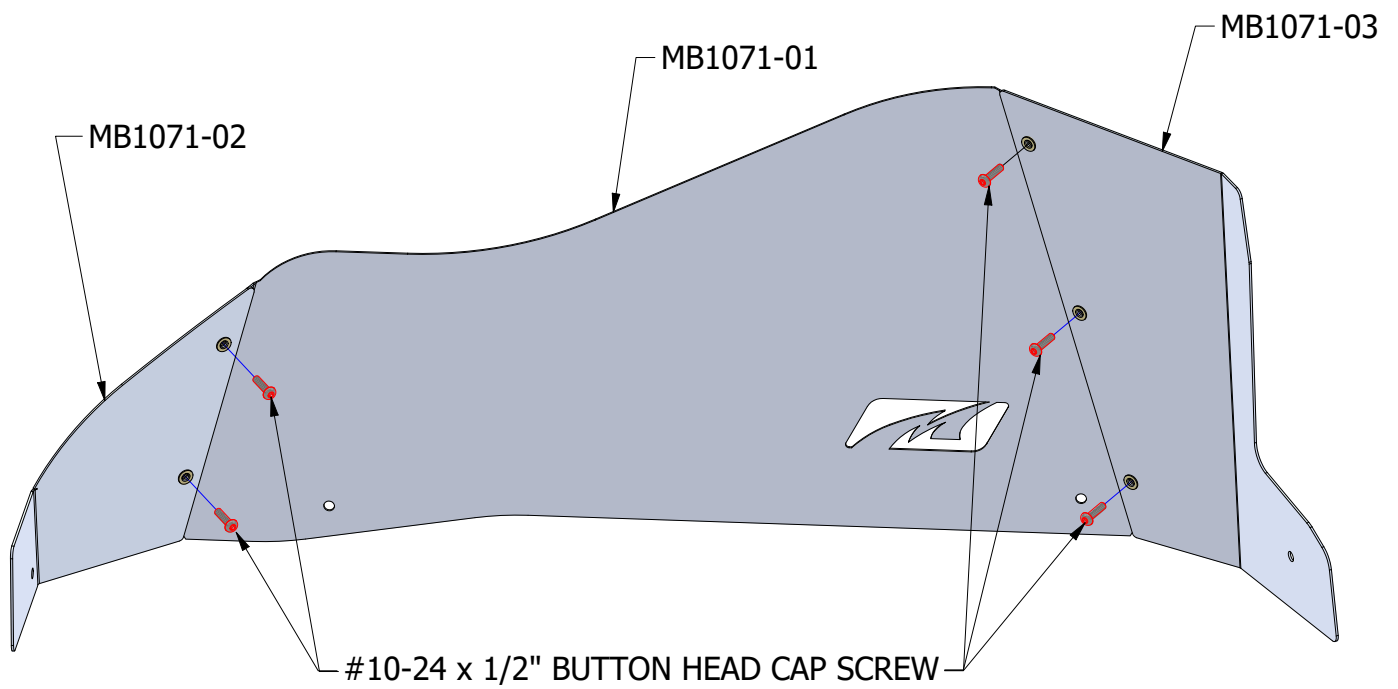
MB1071-03_MIR
QTY 1



MB1071-03
QTY 1

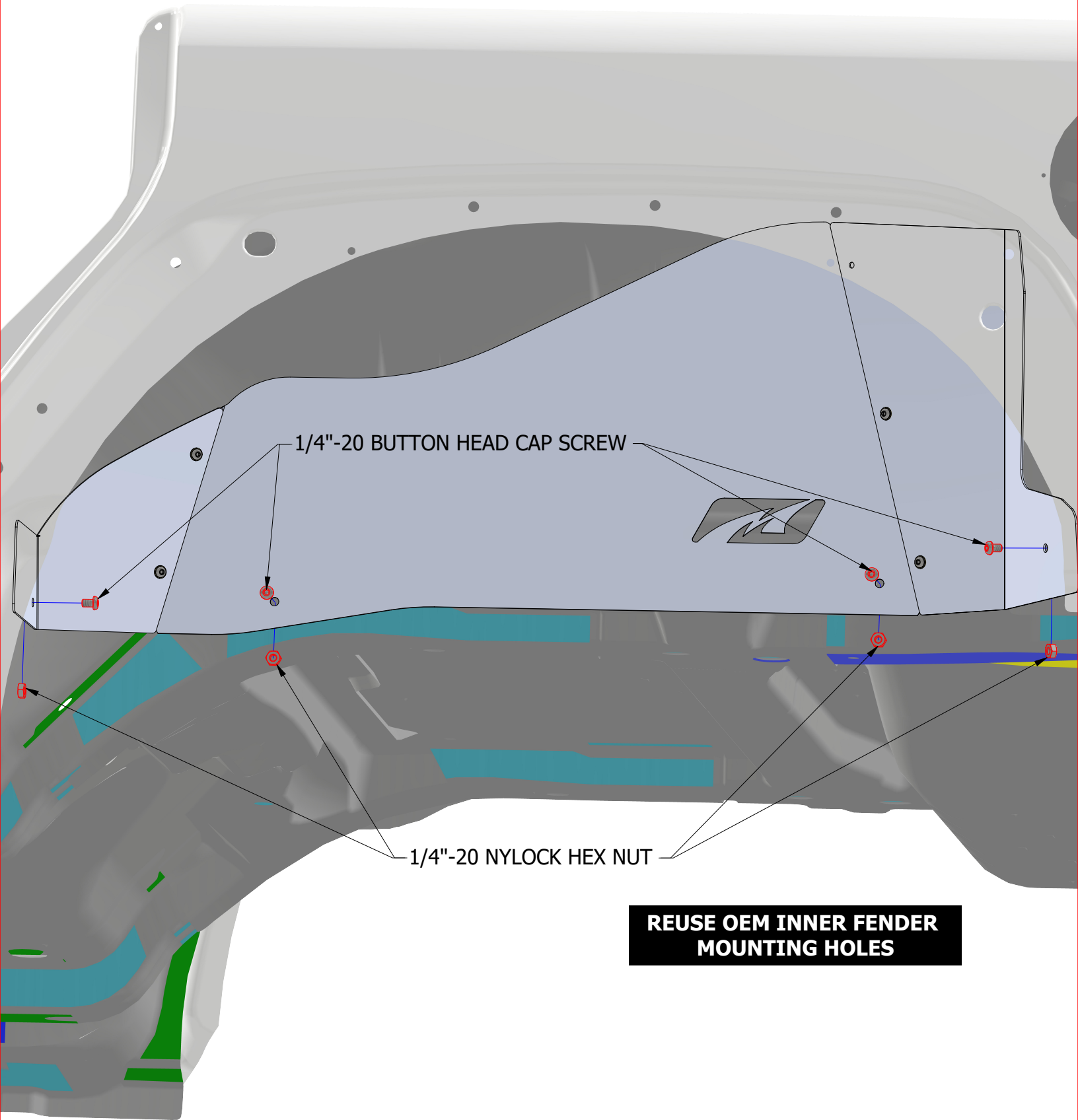
MB1071 - Assembly Instructions For Jeep JK-JKU Rear Inner Fenders

ASSEMBLY STEP 1



MB1071 - Assembly Instructions For Jeep JK-JKU Rear Inner Fenders

ASSEMBLY STEP 2



1/4"-20 BUTTON HEAD CAP SCREW

1/4"-20 NYLOCK HEX NUT

REUSE OEM INNER FENDER MOUNTING HOLES