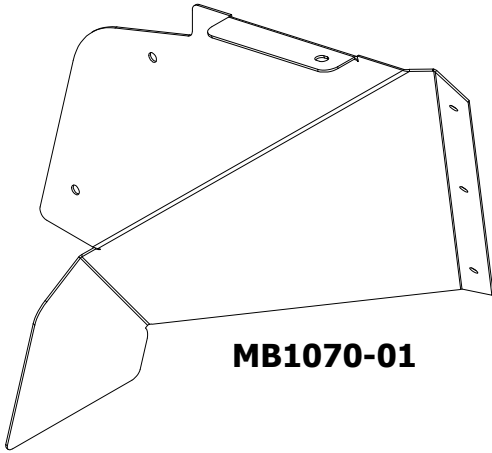
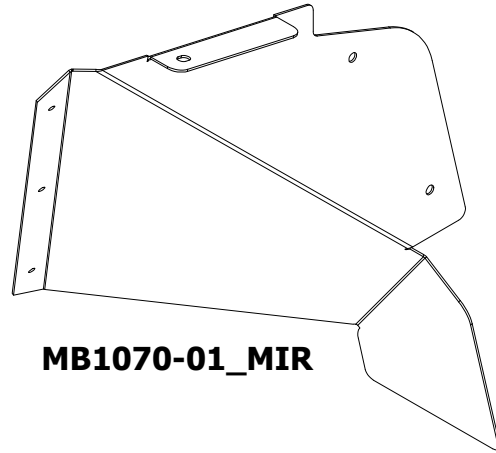
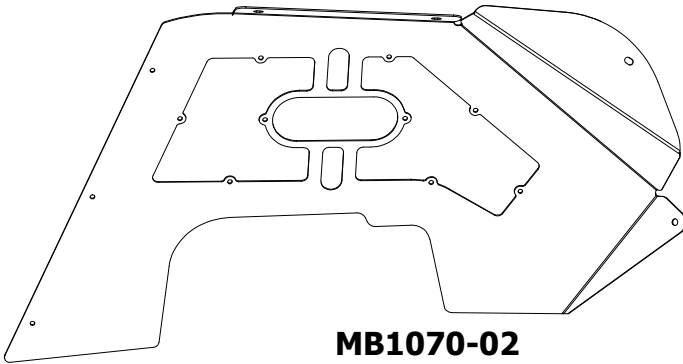
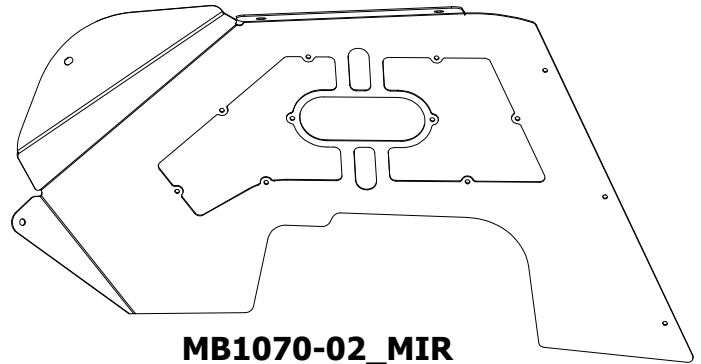
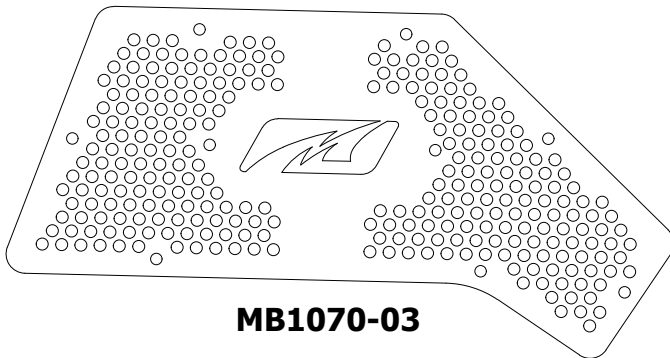
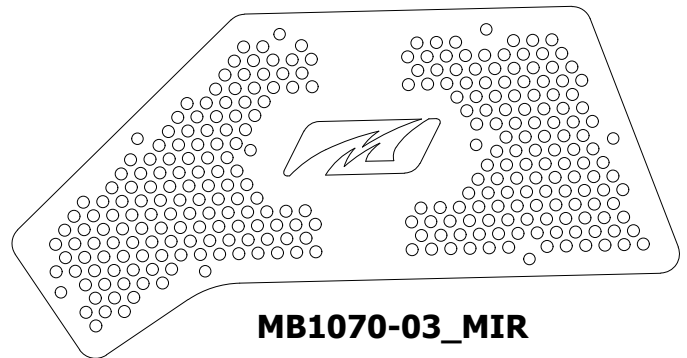
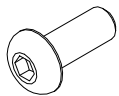
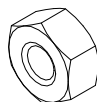
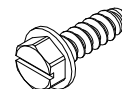
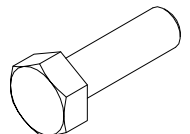


**MB1070 - Shipping Front Inner Fenders for JK/JKU****CONTENTS****MB1070-01****MB1070-01\_MIR****MB1070-02****MB1070-02\_MIR****MB1070-03****MB1070-03\_MIR****#10-24 x 1/2"**  
**BUTTON HEAD CAP SCREW**  
Qty: 24**#10-24**  
**NYLOCK HEX NUT ZINC**  
Qty: 18**M6 FLAT WASHER STAINLESS**  
Qty: 8**1/2" LG #8**  
**WASHERHEAD**  
**SELF-TAPPING SCREW**  
Qty: 6**M6 x 20mm**  
**HEX BOLT STAINLESS**  
Qty: 8