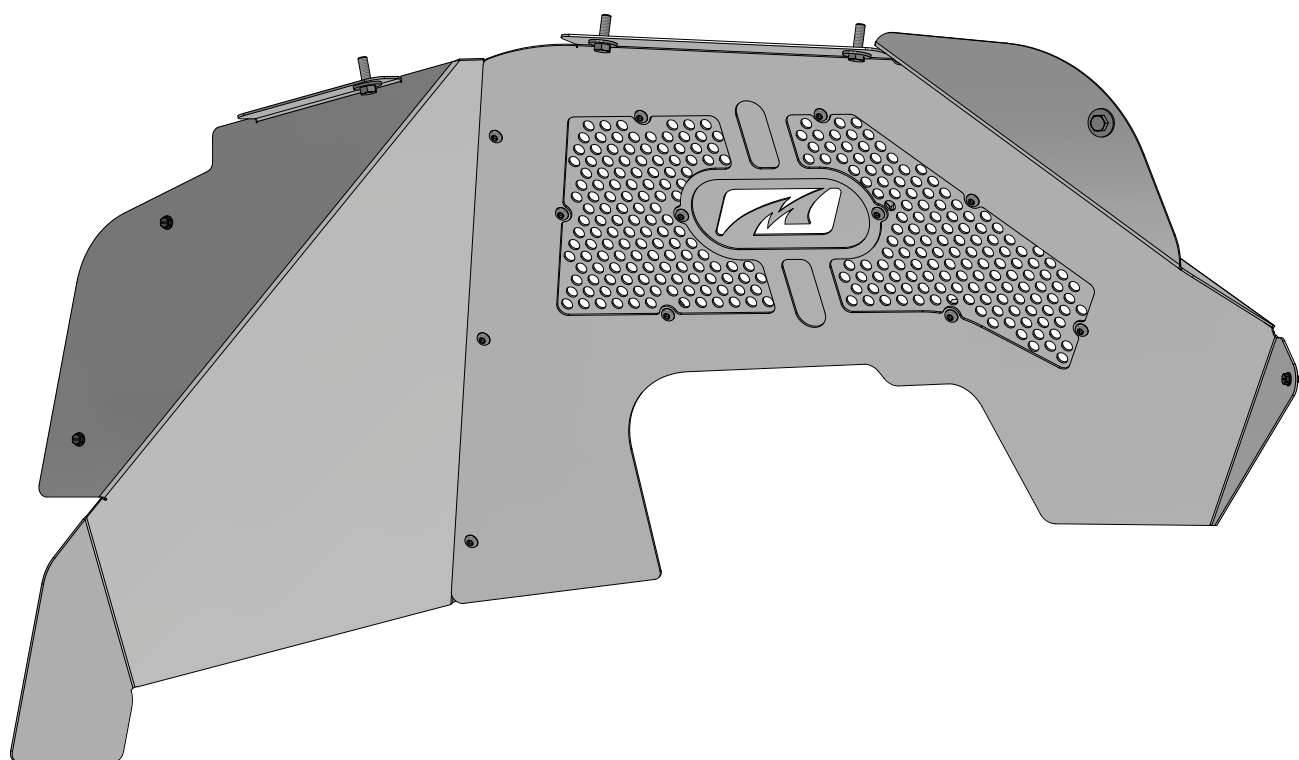
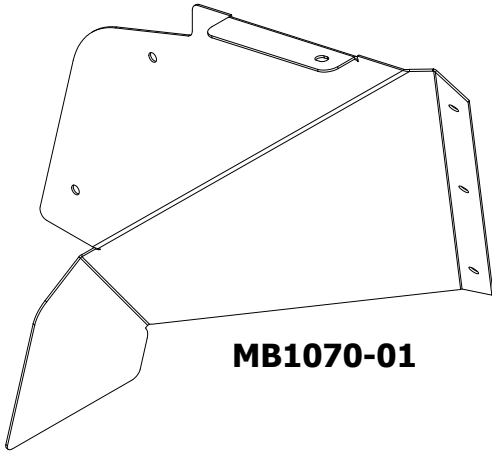


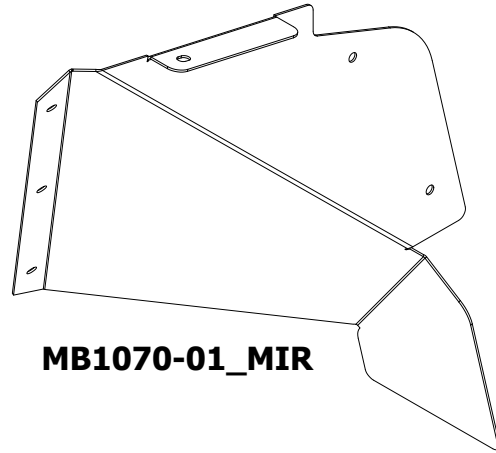
**MB1070 - Assembly Instructions Jeep JK Front Inner Fenders****MB1070 - JEEP JK/JKU  
FRONT INNER FENDERS****ASSEMBLY INSTRUCTIONS**

**MB1070 - Assembly Instructions Jeep JK Front Inner Fenders**

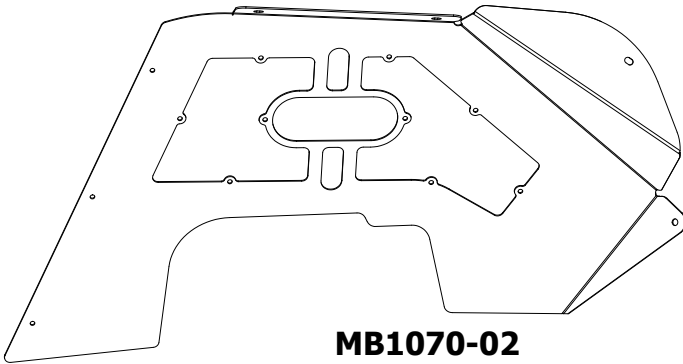
**CONTENTS**



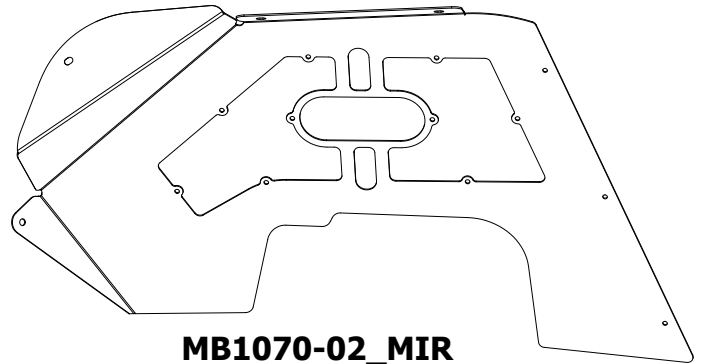
**MB1070-01**



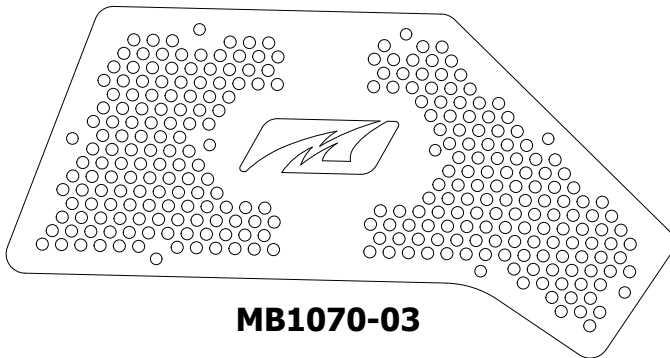
**MB1070-01\_MIR**



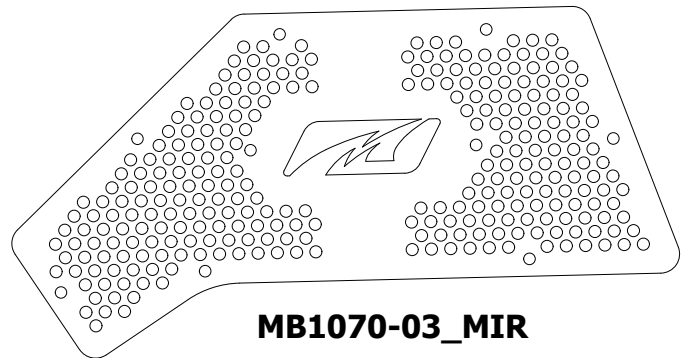
**MB1070-02**



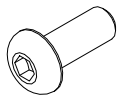
**MB1070-02\_MIR**



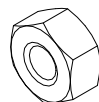
**MB1070-03**



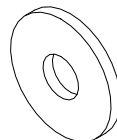
**MB1070-03\_MIR**



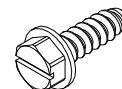
**#10-24 x 1/2"  
BUTTON HEAD CAP SCREW  
Qty: 24**



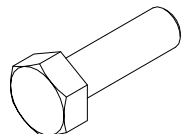
**#10-24  
NYLOCK HEX NUT ZINC  
Qty: 18**



**M6 FLAT WASHER STAINLESS  
Qty: 8**



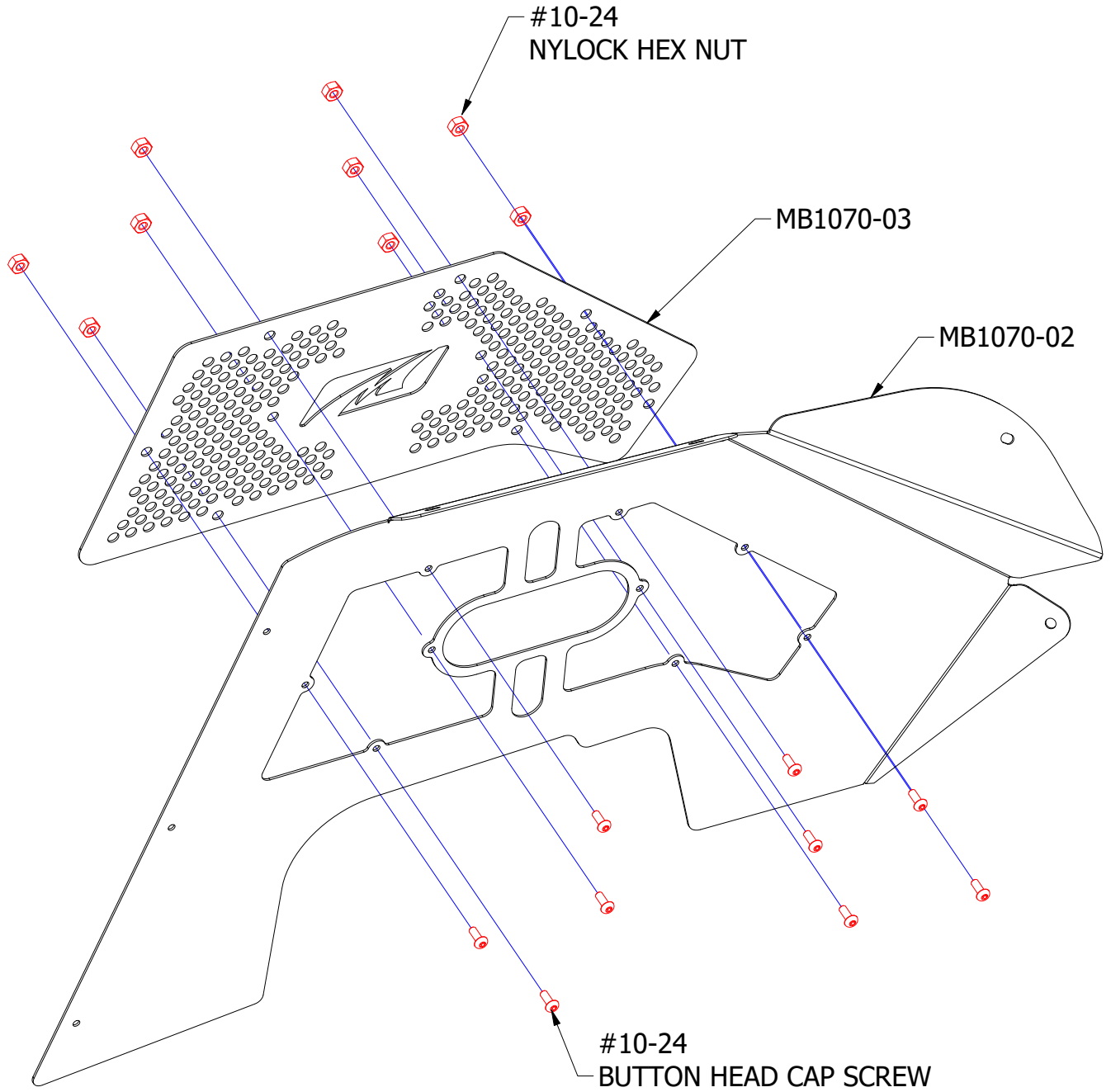
**1/2" LG #8  
WASHERHEAD  
SELF-TAPPING SCREW  
Qty: 6**



**M6 x 20mm  
HEX BOLT STAINLESS  
Qty: 8**

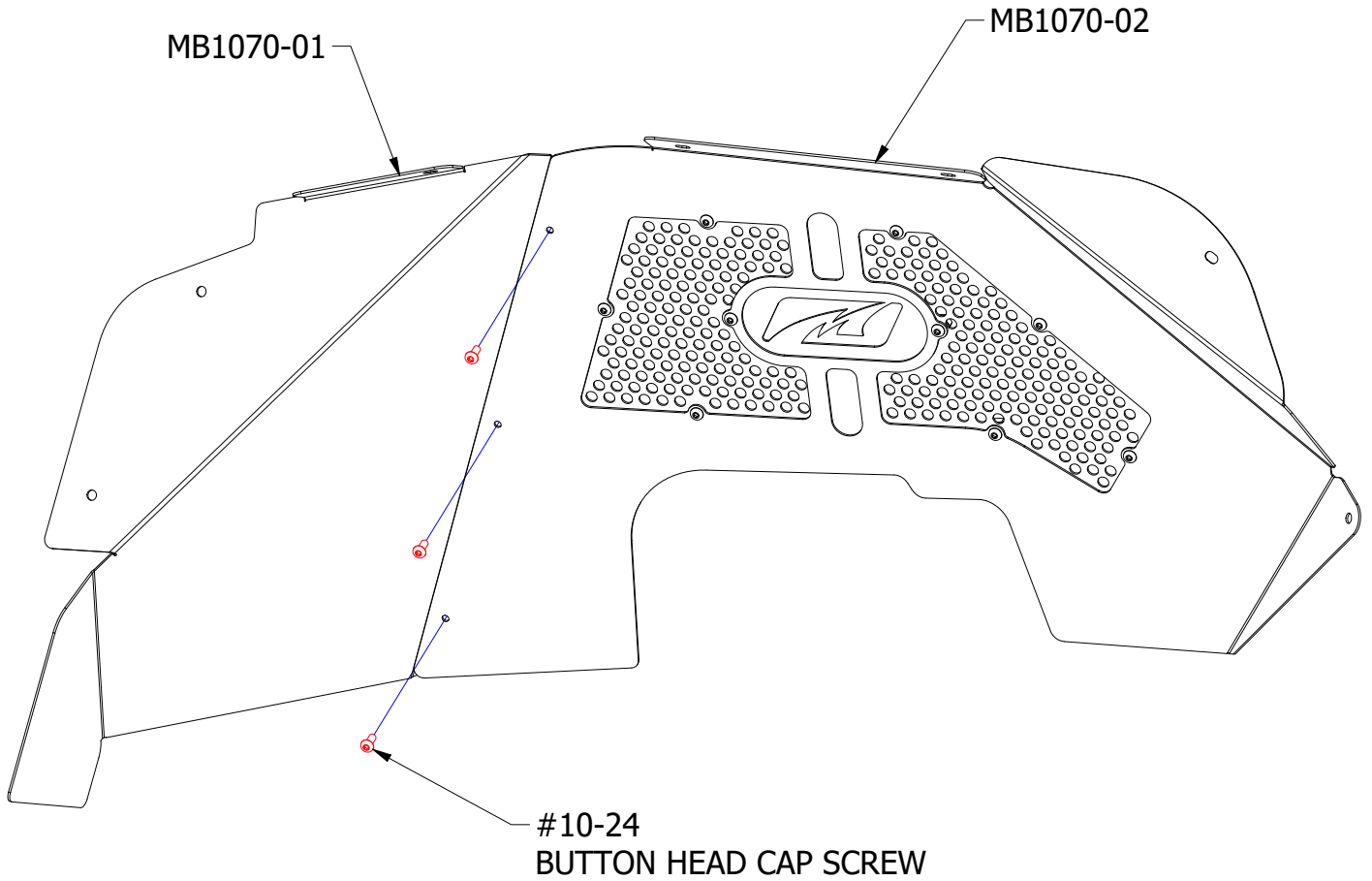
**MB1070 - Assembly Instructions Jeep JK Front Inner Fenders**

**ASSEMBLY STEP 1**



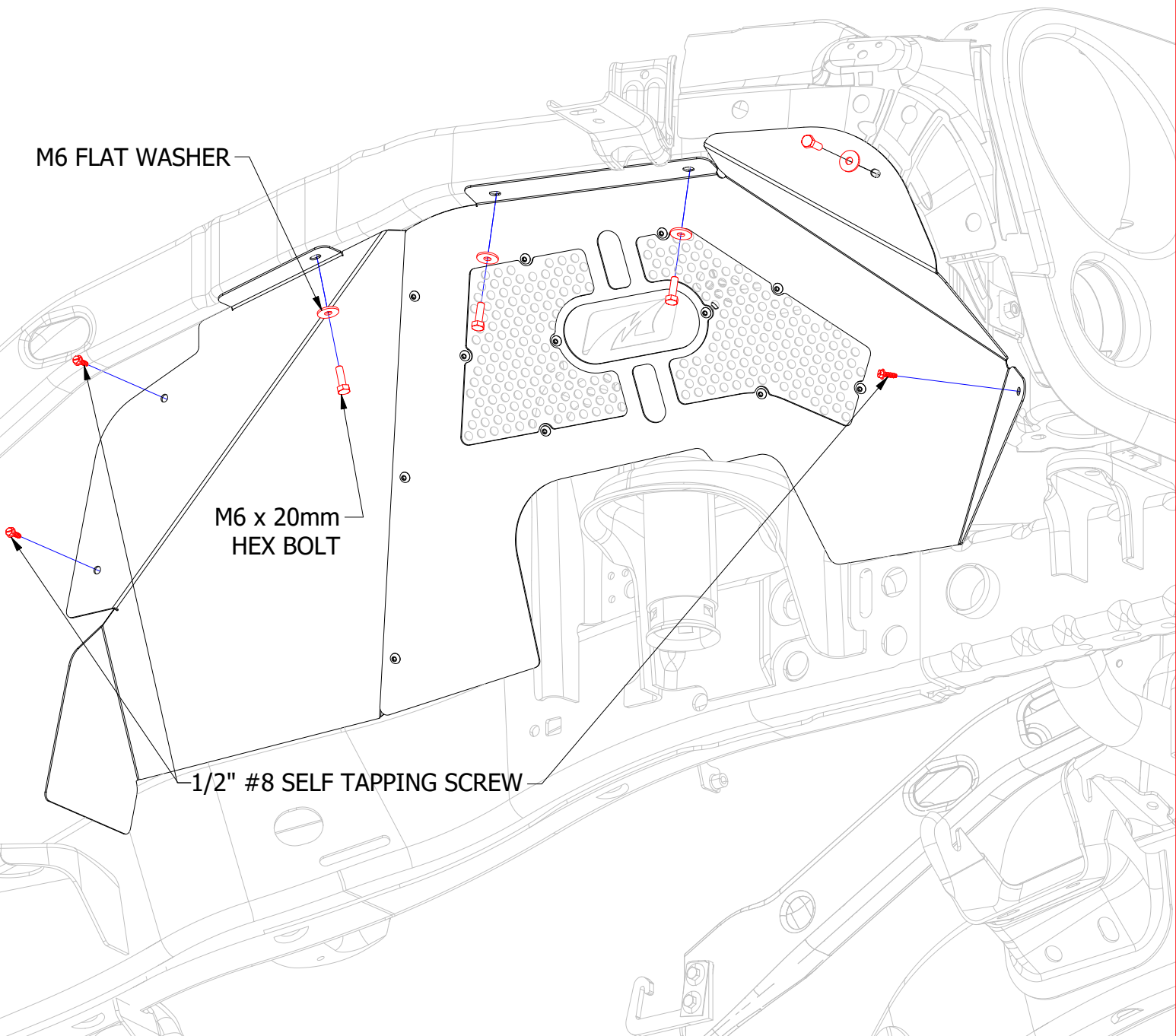
**MB1070 - Assembly Instructions Jeep JK Front Inner Fenders**

**ASSEMBLY STEP 2**



**MB1070 - Assembly Instructions Jeep JK Front Inner Fenders**

**ASSEMBLY STEP 3**



M6 FLAT WASHER

M6 x 20mm  
HEX BOLT

1/2" #8 SELF TAPPING SCREW