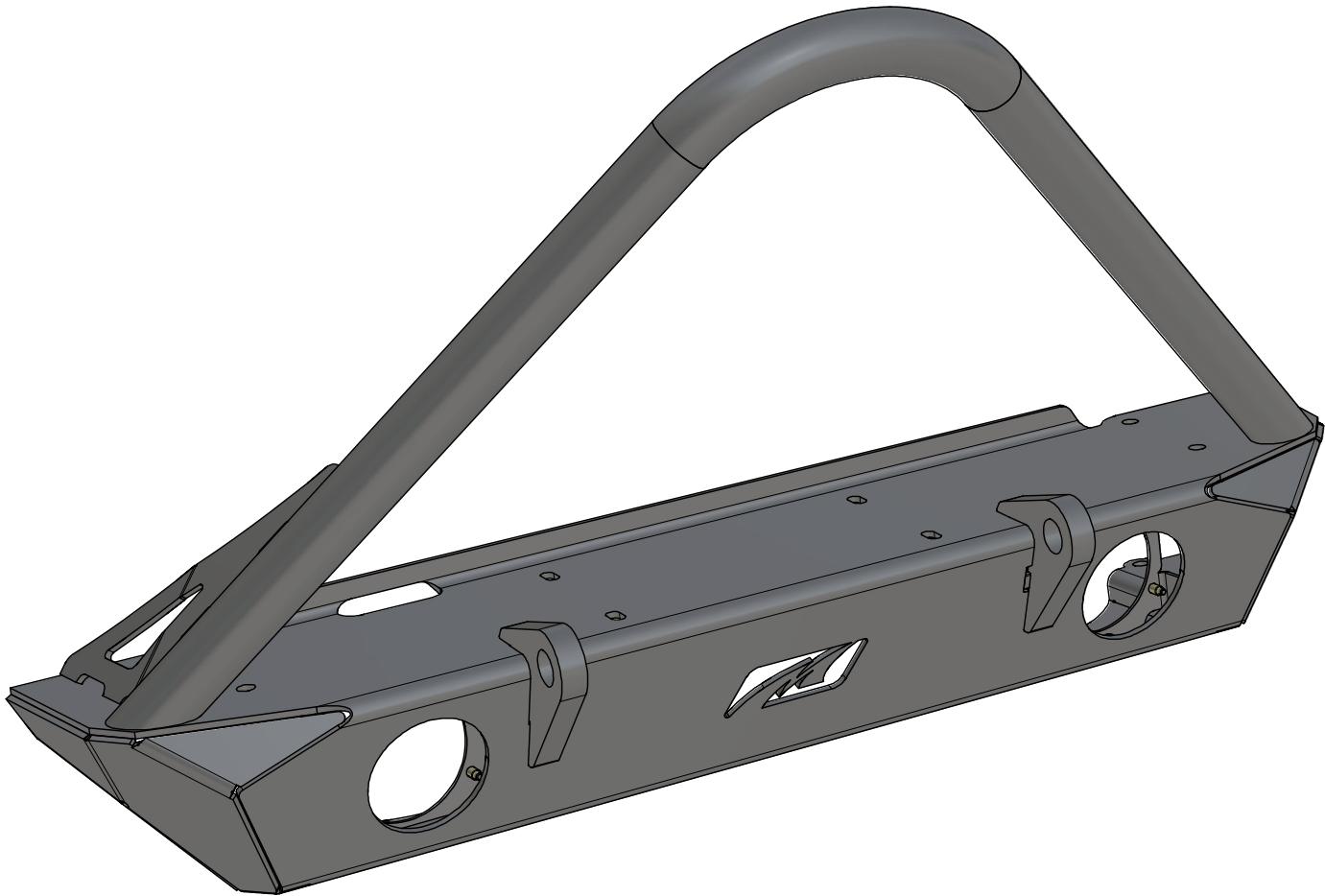
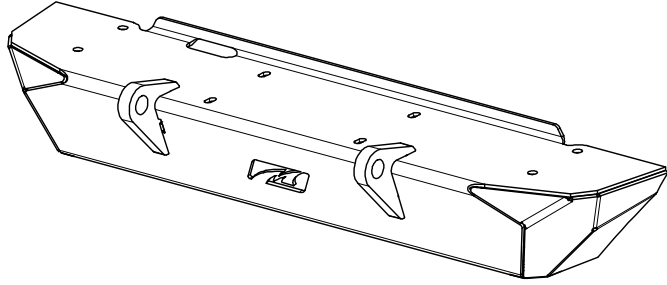
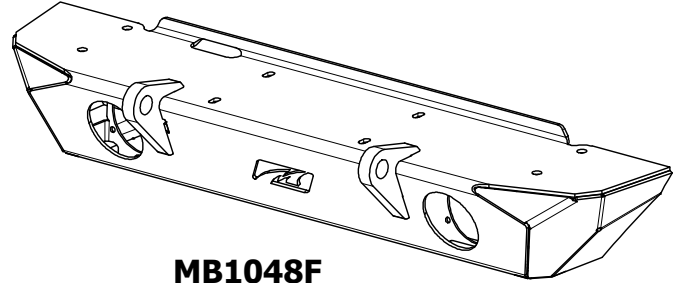
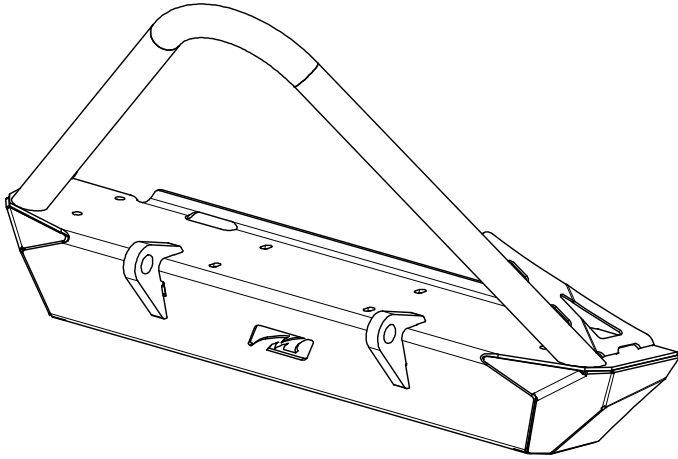
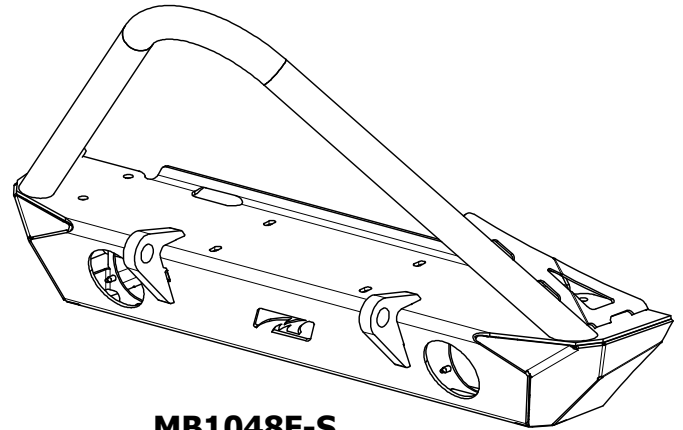
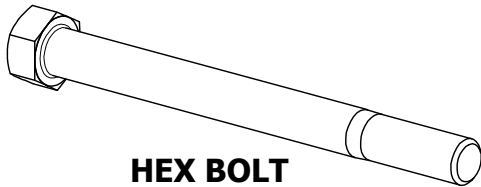


HATCHET FRONT FRAME CHOP BUMPER



INSTALLATION INSTRUCTIONS

MB1048 - Assembly Instructions Hatchet Bumper Front Frame Chop Bumper**KIT COMPONENTS****MB1048****MB1048F****MB1048-S****MB1048F-S**

HEX BOLT
1/2"-13 x 5-1/2" GR 8
Qty: 4



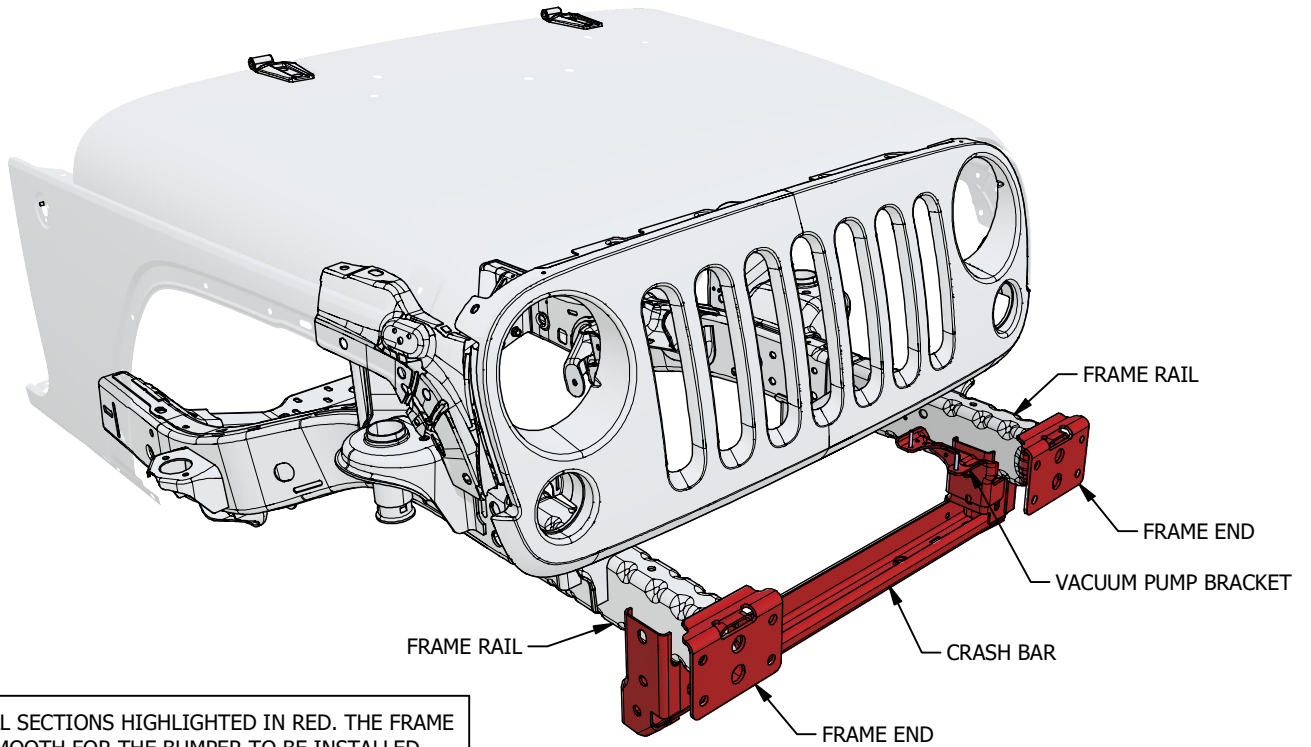
FLAT WASHER
1/2"
Qty: 4



NYLOCK NUT
1/2"-13
Qty: 4

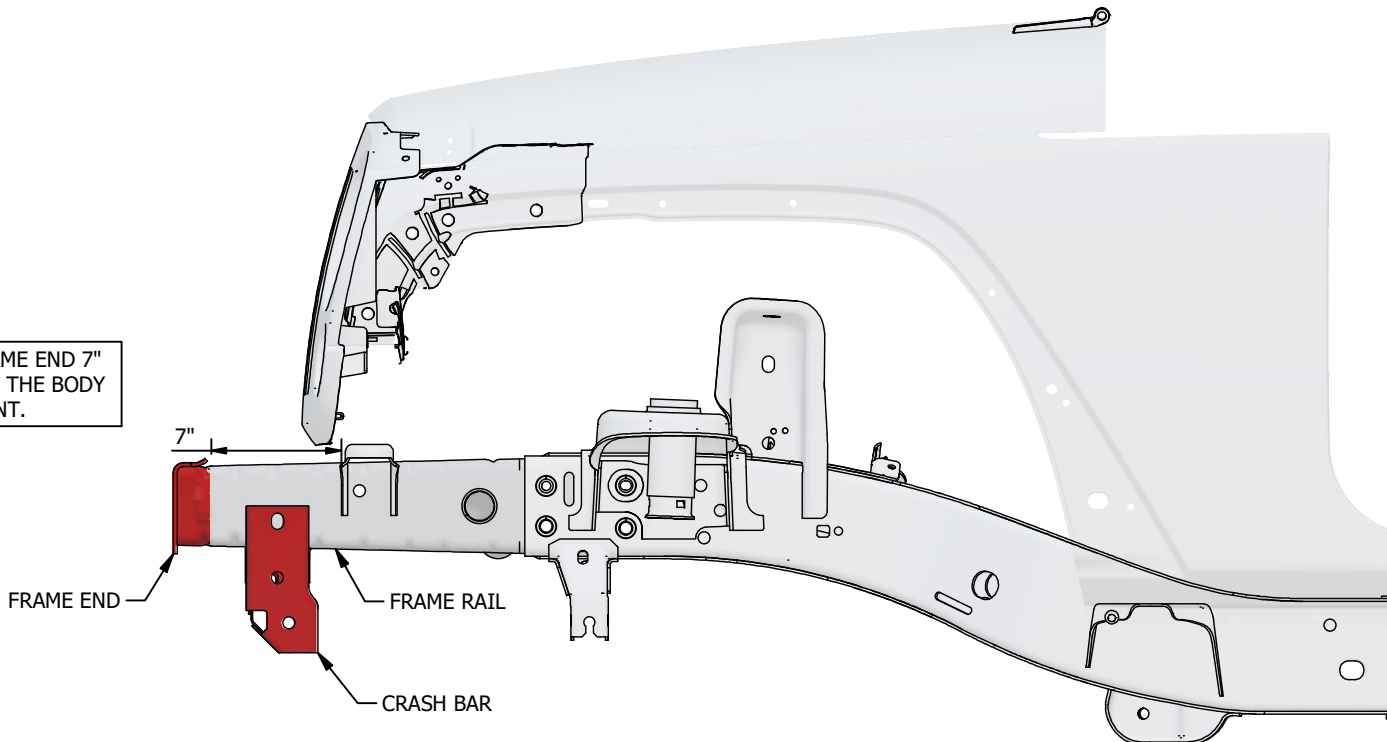


BUTTON HEAD SOCKET
CAP SCREW
#10-24 x 3/4"
Qty: 8

MB1048 - Assembly Instructions Hatchet Bumper Front Frame Chop Bumper**FRAME PREPARATION**

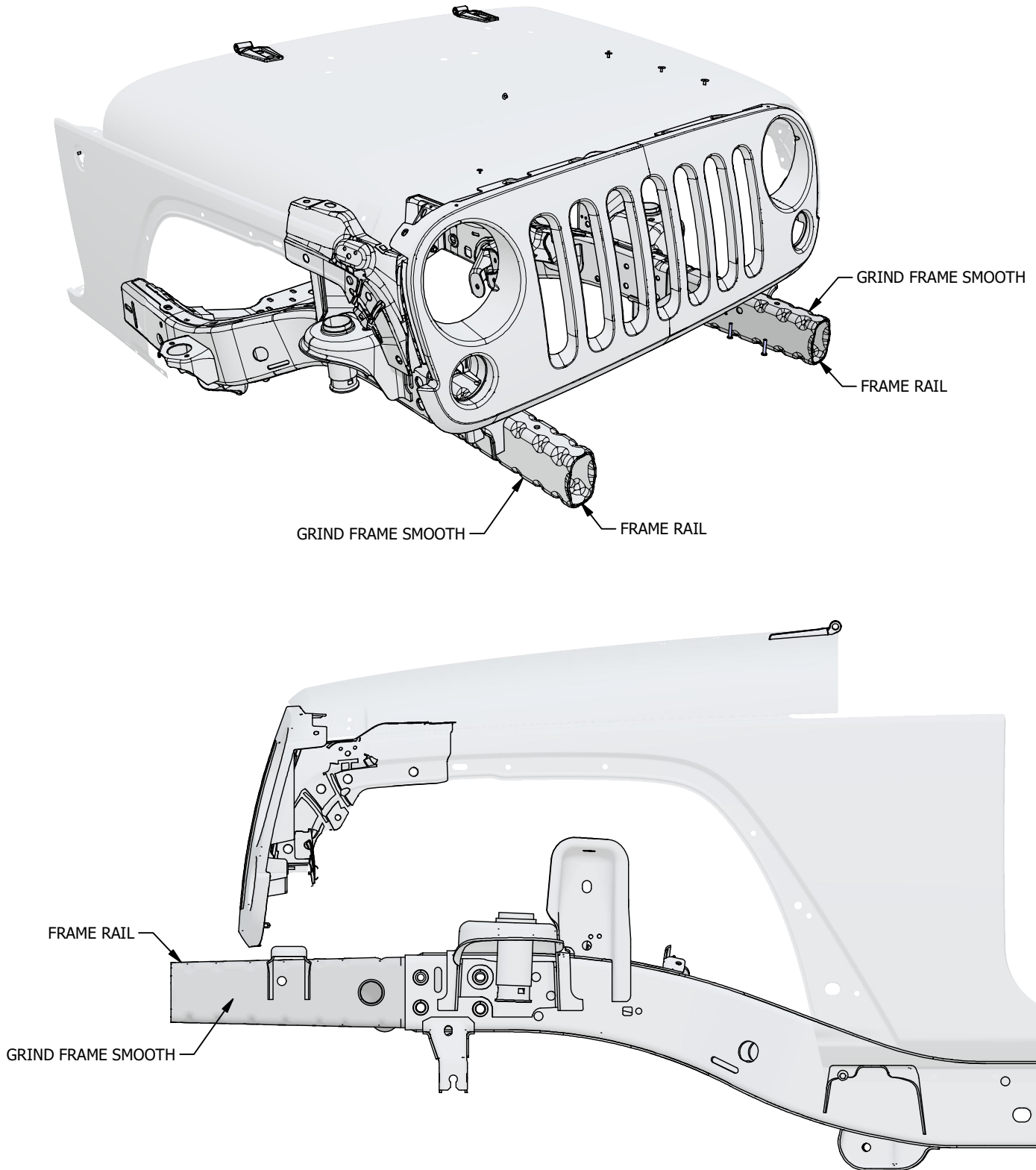
REMOVE ALL SECTIONS HIGHLIGHTED IN RED. THE FRAME MUST BE SMOOTH FOR THE BUMPER TO BE INSTALLED.

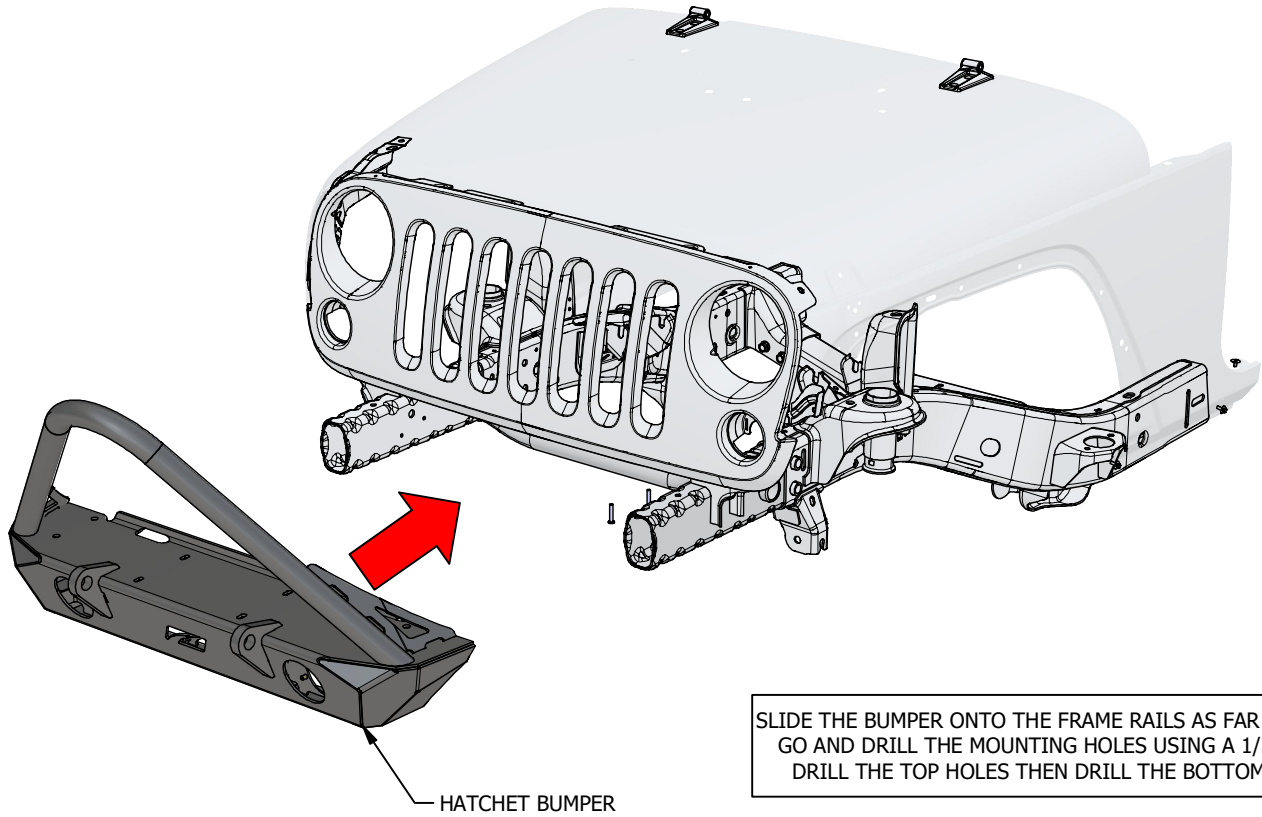
CUT THE FRAME END 7" FORWARD OF THE BODY MOUNT.



MB1048 - Assembly Instructions Hatchet Bumper Front Frame Chop Bumper

FRAME PREPARATION



MB1048 - Assembly Instructions Hatchet Bumper Front Frame Chop Bumper**MOUNTING BUMPER**

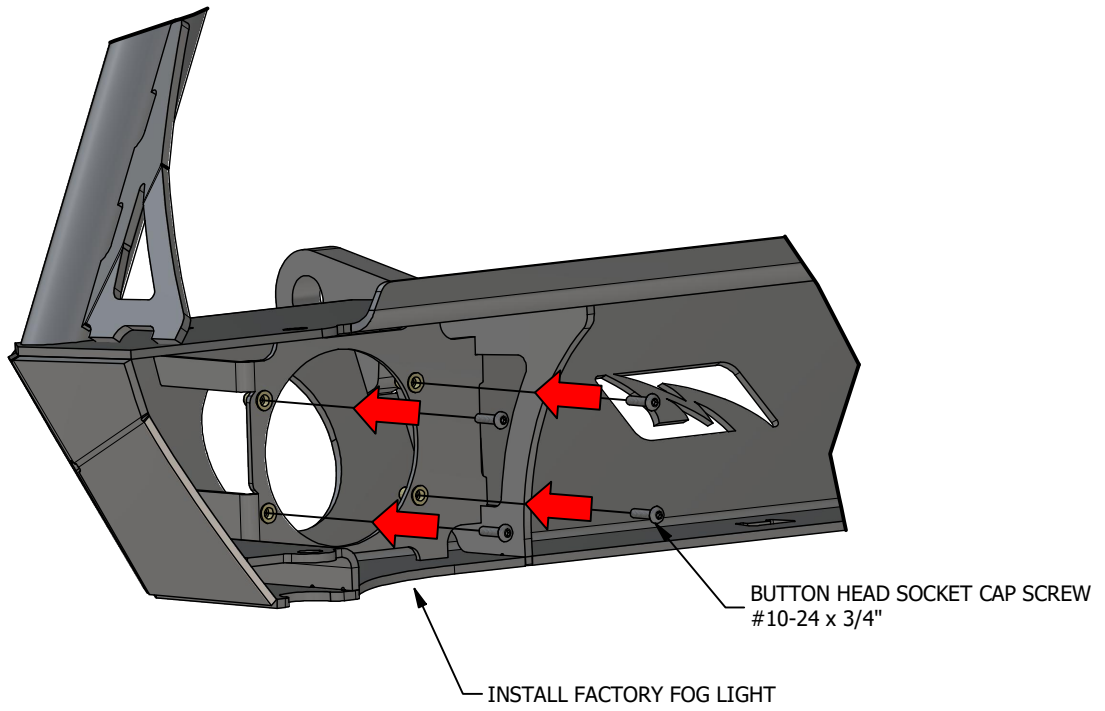
MARK AND DRILL 1/2" HOLE

MARK AND DRILL 1/2" HOLE

AFTER DRILLING THE MOUNTING HOLES, REMOVE THE BUMPER AND PAINT ANY EXPOSED METAL TO PROTECT IT FROM CORROSION.

MB1048 - Assembly Instructions Hatchet Bumper Front Frame Chop Bumper

**FOG LIGHTS
(OPTIONAL)**



MB1048 - Assembly Instructions Hatchet Bumper Front Frame Chop Bumper

MOUNTING BUMPER

THE WINCH CAN BE MOUNTED BEFORE OR AFTER INSTALLING THE BUMPER ONTO THE FRAME.

