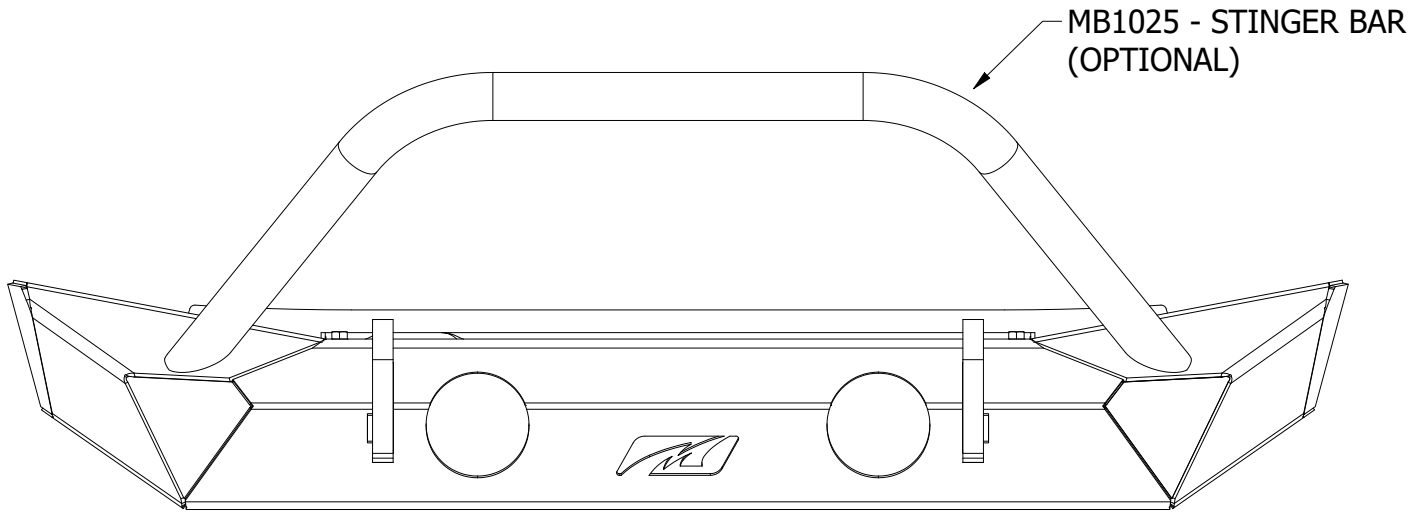
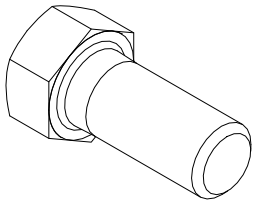


MB1025 - Assembly Instructions Hammer Series Front Bumper For Jeep JK

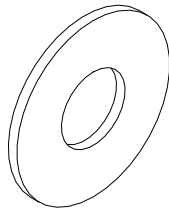
CONTENTS



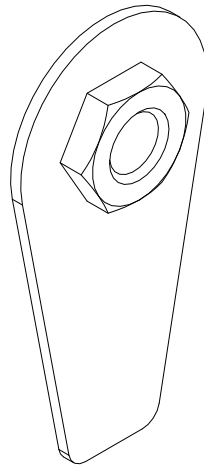
MB1025
Qty 1



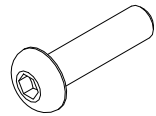
7/16 x 1" GR 8 HEX BOLT
Qty 2



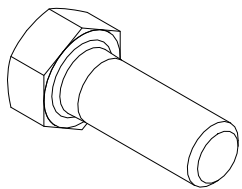
7/16" FLAT WASHER



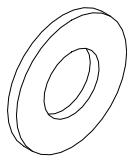
7/16" FLAG NUT
Qty 2



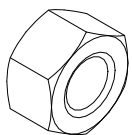
#10-24 x 3/4" BUTTON HEAD
SOCKET CAP SCREW
Qty 8



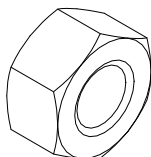
3/8 x 1" GR 8 HEX BOLT
Qty 4



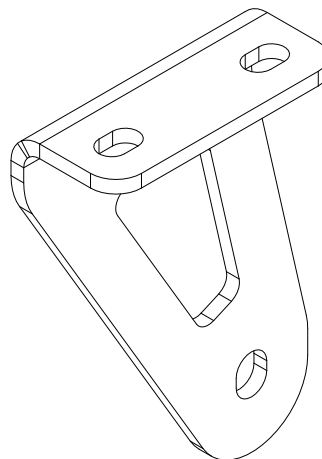
3/8" FLAT WASHER
Qty 4



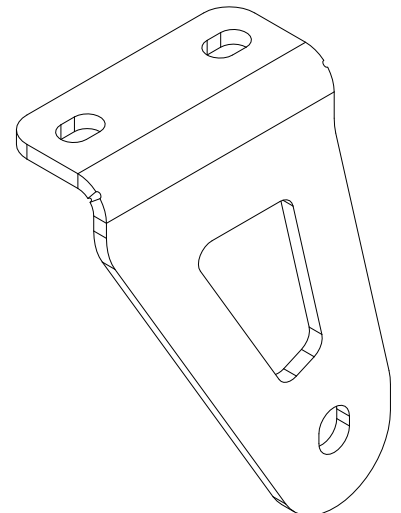
3/8" GR 8
NYLOCK HEX NUT
Qty 4



7/16" GR 8
NYLOCK HEX NUT
Qty 8



MB1025-09_MIR



MB1025-09