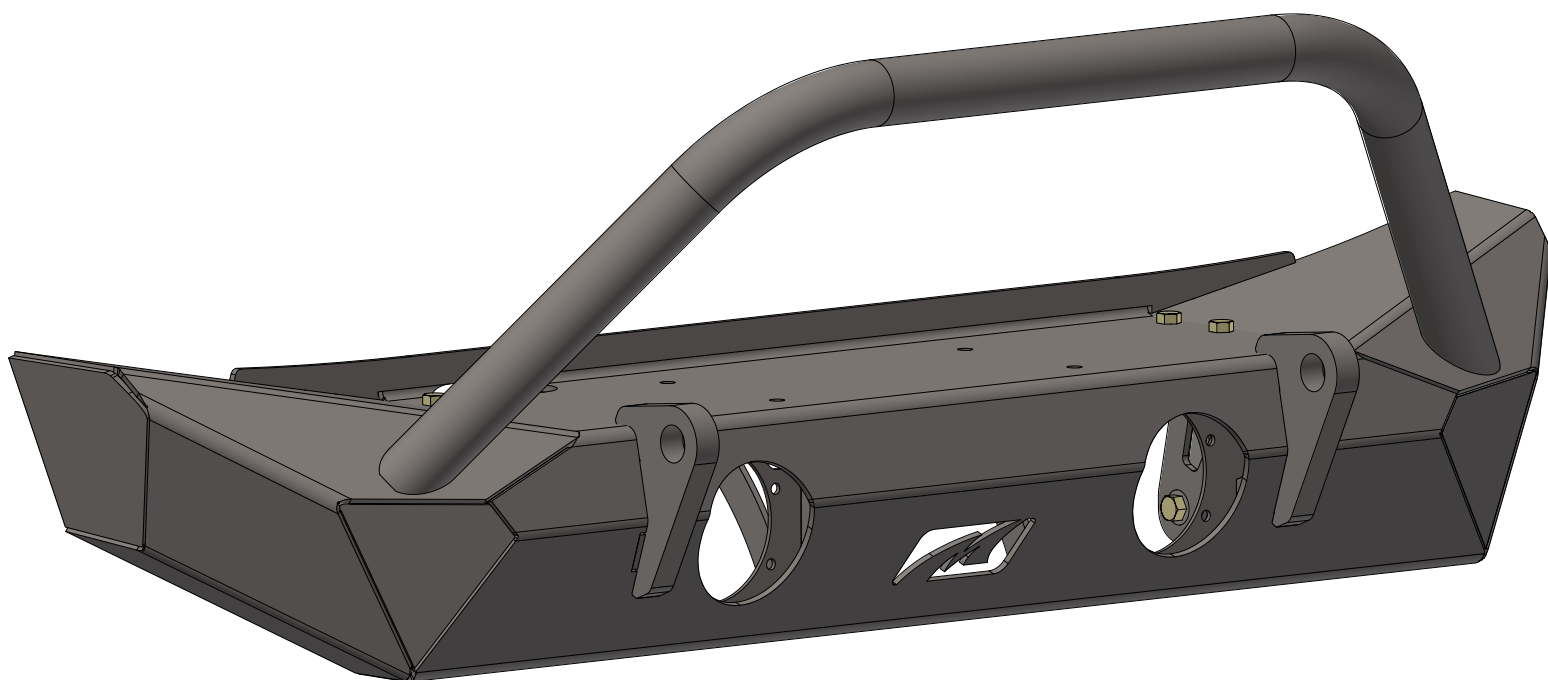
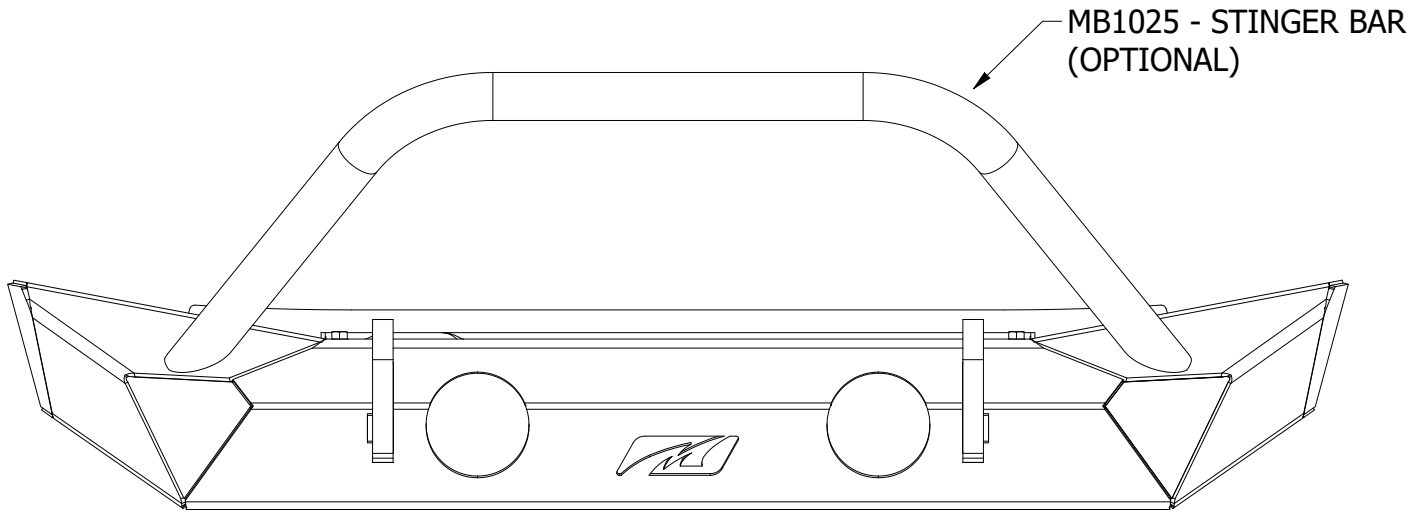


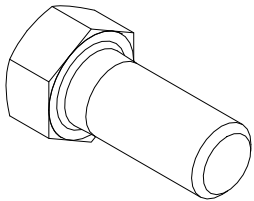
MB1025 - Assembly Instructions Hammer Series Front Bumper For Jeep JK**MB1025 - HAMMER SERIES FRONT BUMPER
FOR JEEP JK****ASSEMBLY INSTRUCTIONS**

MB1025 - Assembly Instructions Hammer Series Front Bumper For Jeep JK

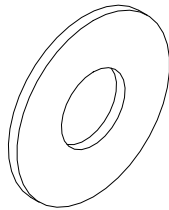
CONTENTS



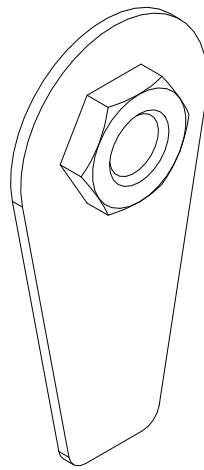
MB1025
Qty 1



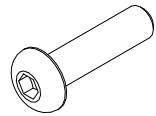
7/16 x 1" GR 8 HEX BOLT
Qty 2



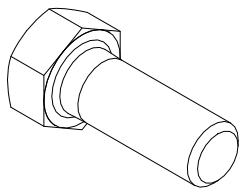
7/16" FLAT WASHER



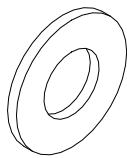
7/16" FLAG NUT
Qty 2



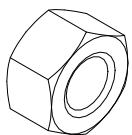
#10-24 x 3/4" BUTTON HEAD
SOCKET CAP SCREW
Qty 8



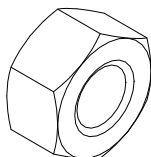
3/8 x 1" GR 8 HEX BOLT
Qty 4



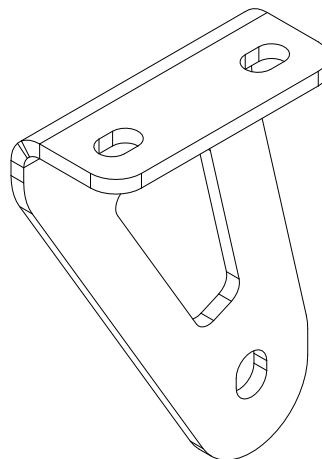
3/8" FLAT WASHER
Qty 4



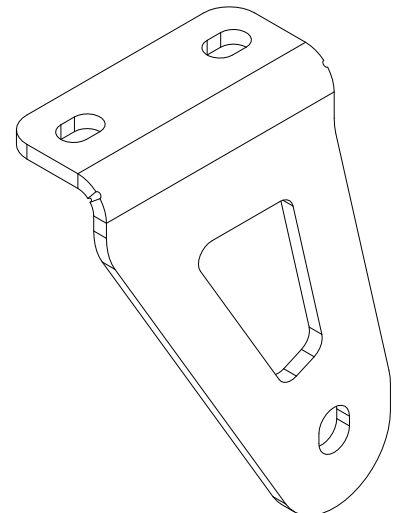
3/8" GR 8
NYLOCK HEX NUT
Qty 4



7/16" GR 8
NYLOCK HEX NUT
Qty 8



MB1025-09_MIR

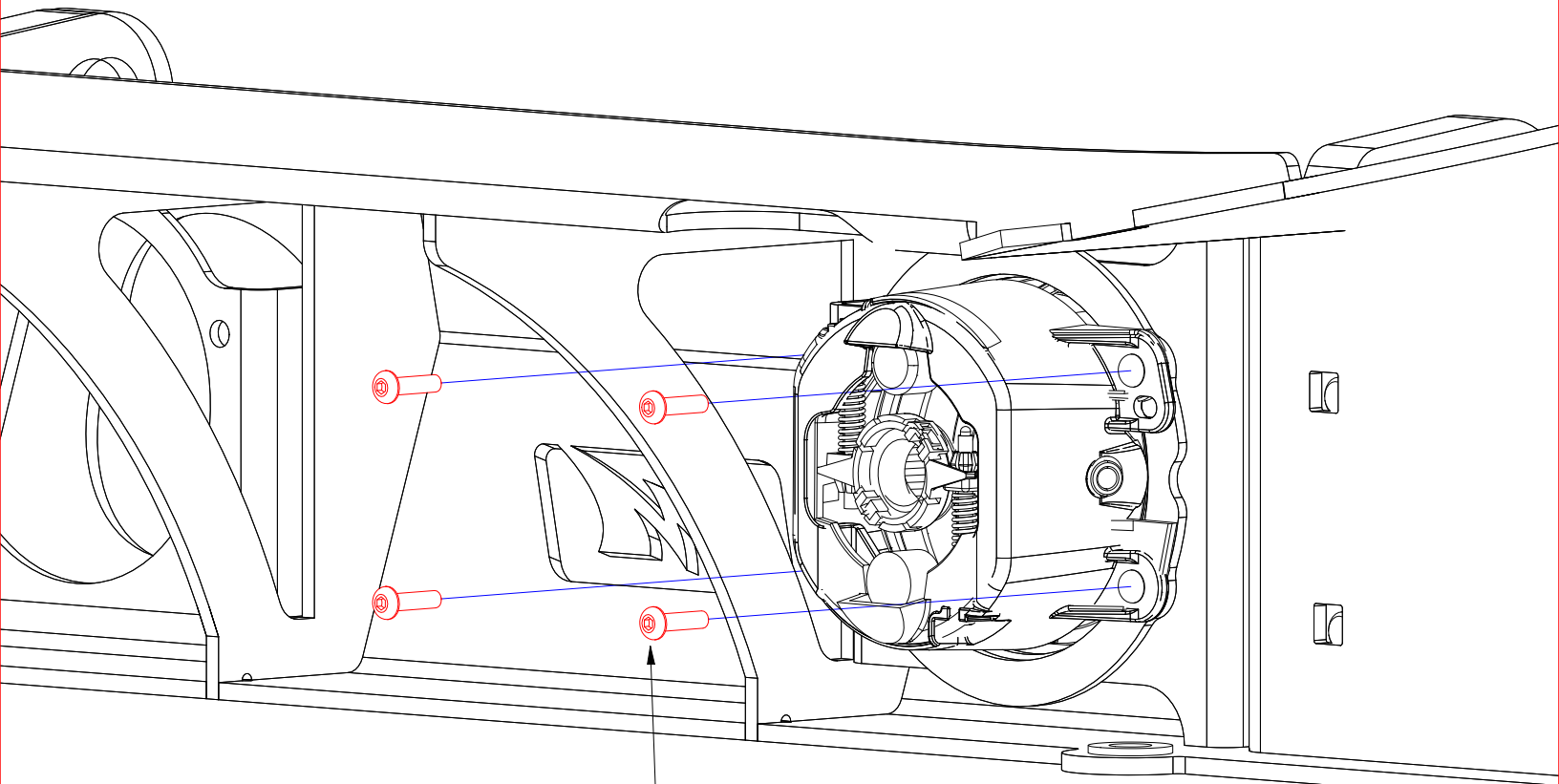


MB1025-09

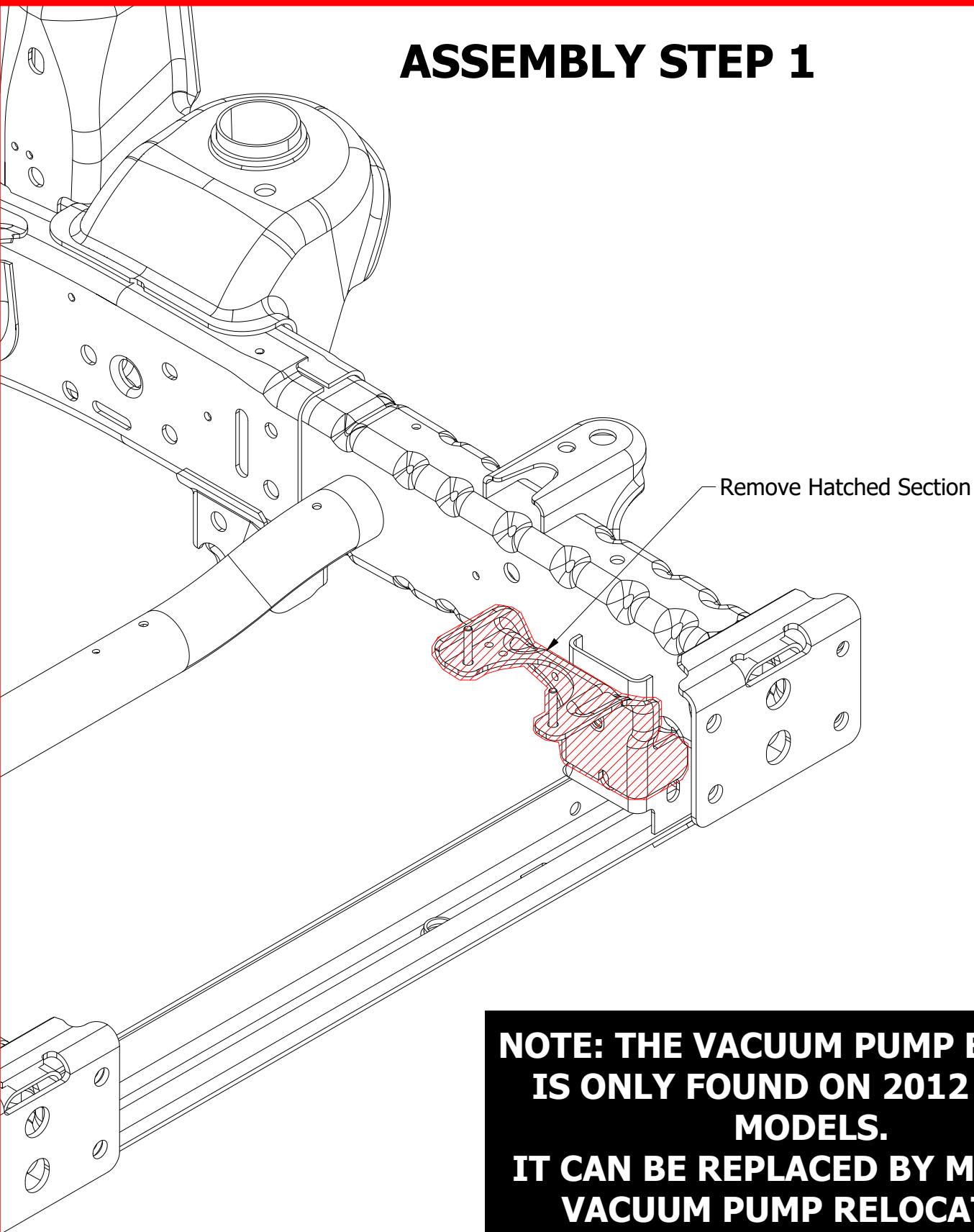
MB1025 - Assembly Instructions Hammer Series Front Bumper For Jeep JK

FOG LIGHT INSTALLATION

(FOG LIGHTS NOT INCLUDED)



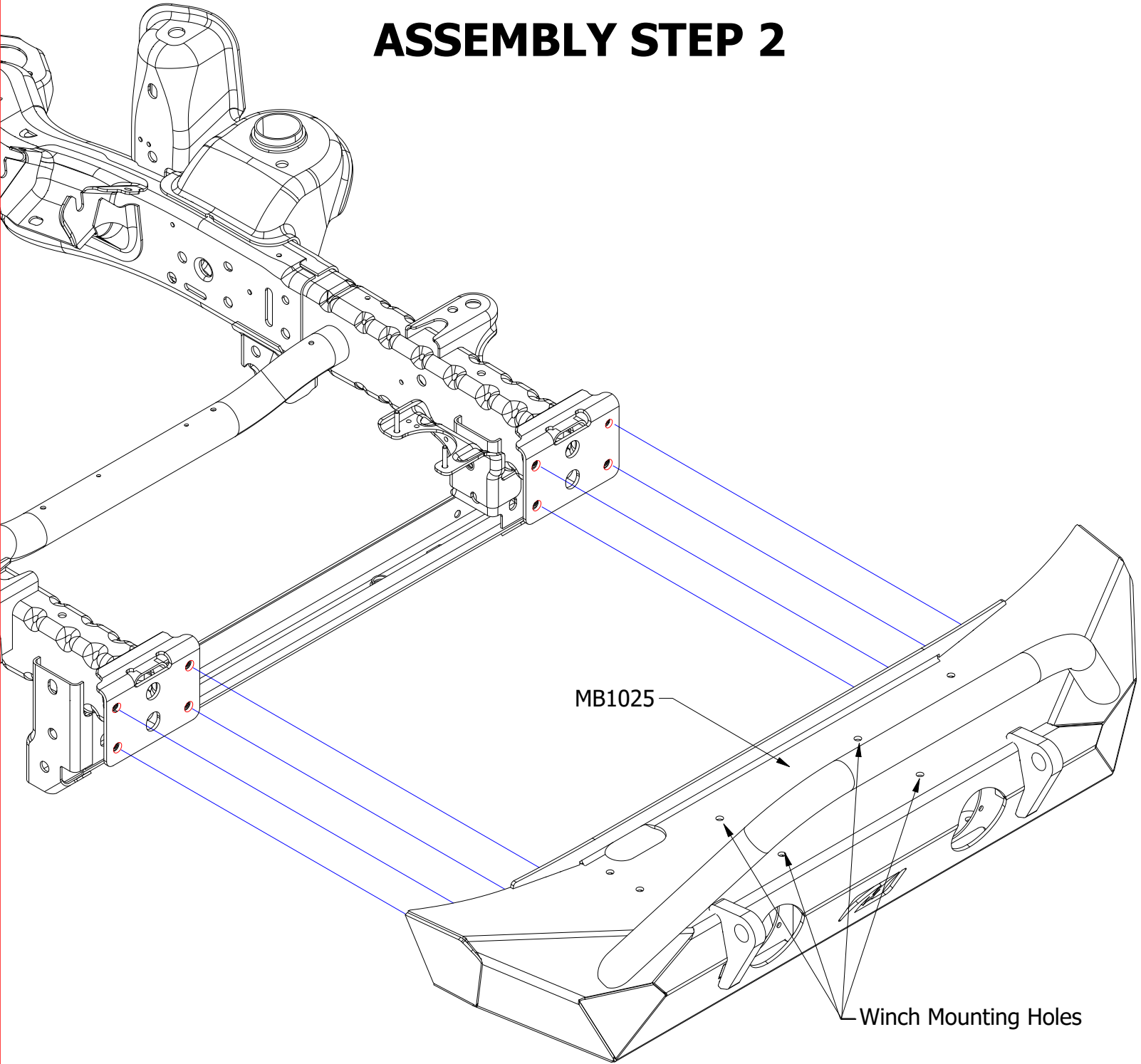
10-24 x 3/4" BUTTON HEAD
SOCKET CAP SCREW

MB1025 - Assembly Instructions Hammer Series Front Bumper For Jeep JK**ASSEMBLY STEP 1**

**NOTE: THE VACUUM PUMP BRACKET
IS ONLY FOUND ON 2012 - 2018
MODELS.
IT CAN BE REPLACED BY MB2060 -
VACUUM PUMP RELOCATION
BRACKET**

MB1025 - Assembly w Fasteners Crusher Series Front Bumper For Jeep JK

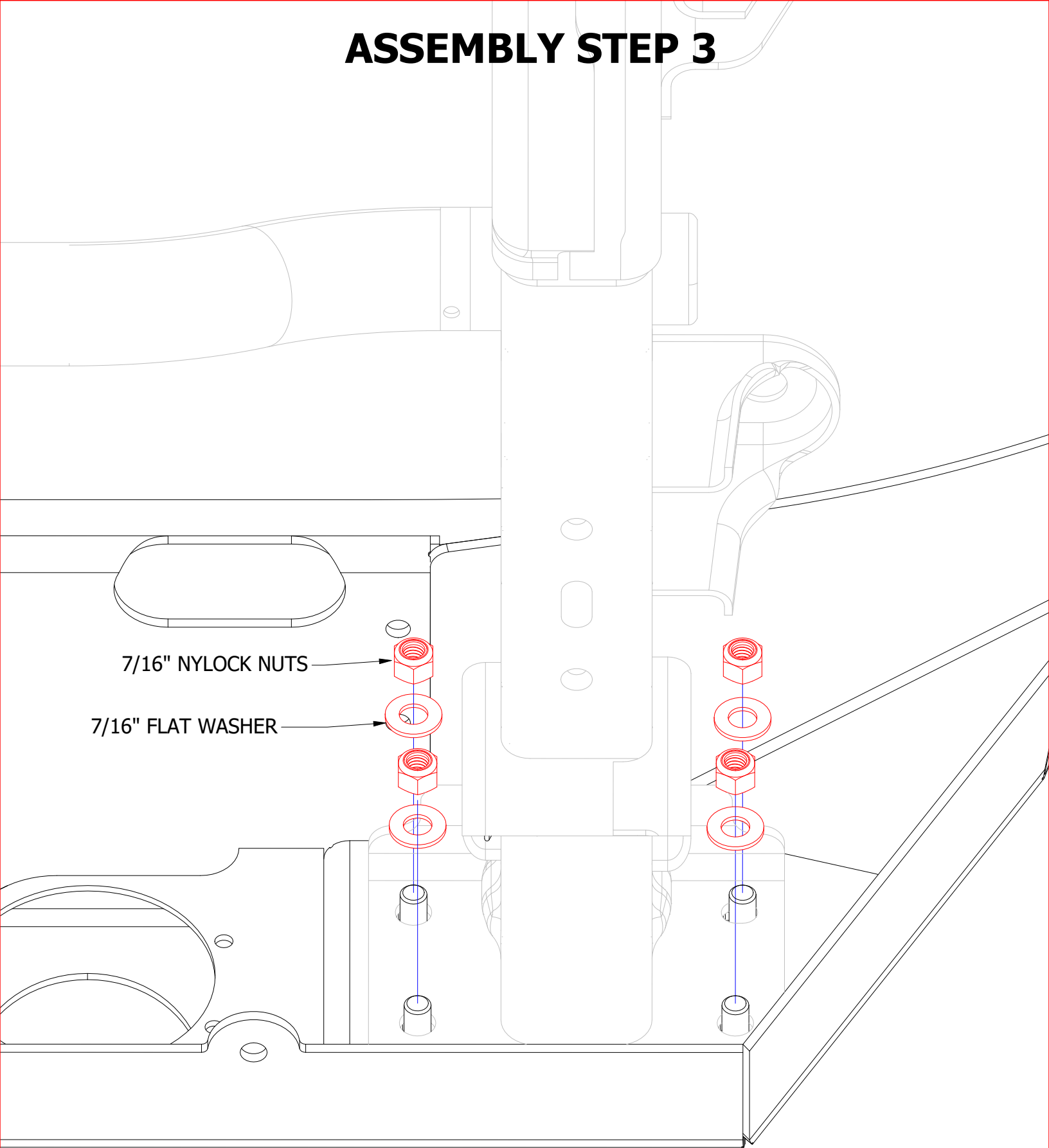
ASSEMBLY STEP 2



MB1025 - Assembly w Fasteners Crusher Series Front Bumper For Jeep JK

ASSEMBLY STEP 3

7/16" NYLOCK NUTS
7/16" FLAT WASHER



MB1025 - Assembly w Fasteners Crusher Series Front Bumper For Jeep JK

ASSEMBLY STEP 4

