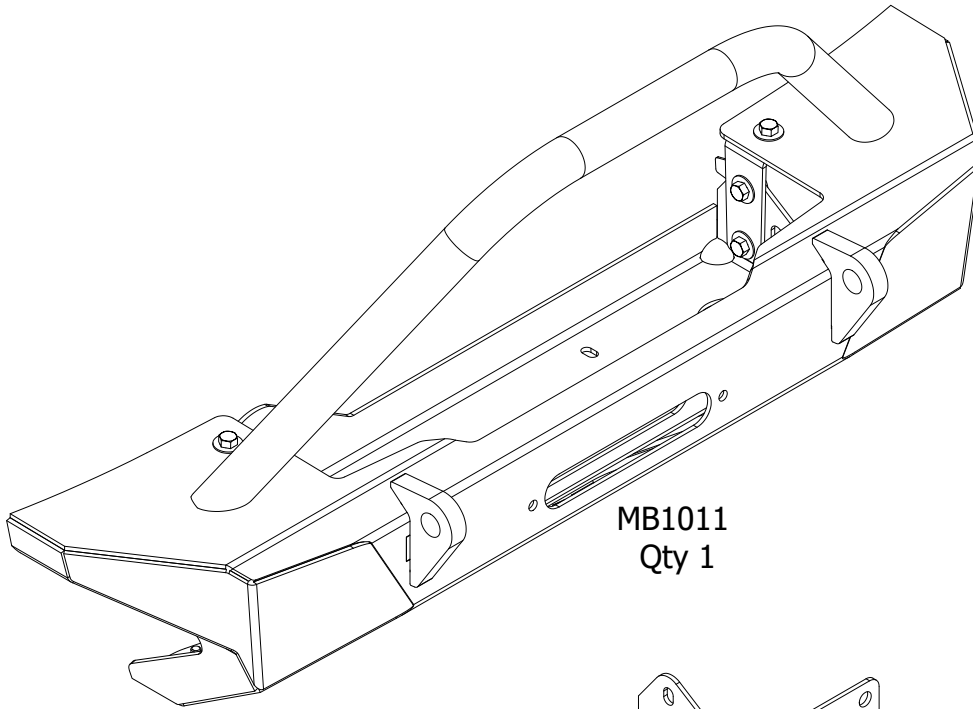
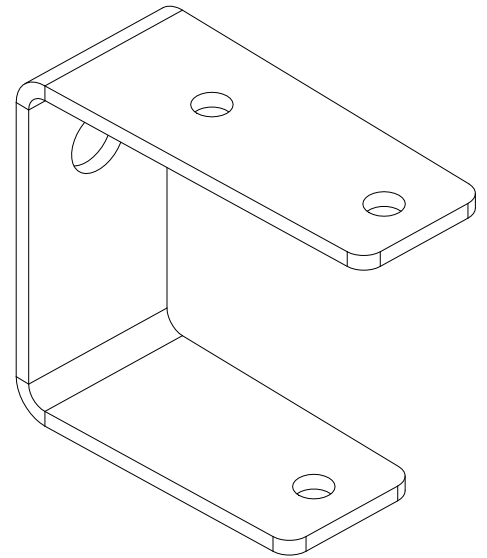


**MB1011 - Assembly Instructions Jeep JK Recessed Winch Front Bumper**

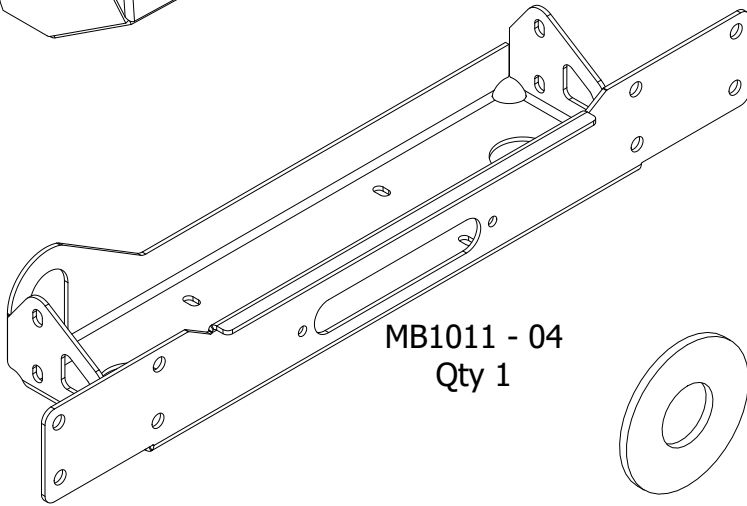
**CONTENTS**



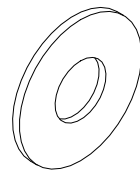
**MB1011**  
Qty 1



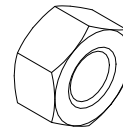
**MB1011 - 08**  
Qty 2



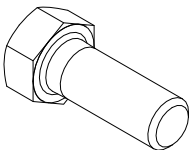
**MB1011 - 04**  
Qty 1



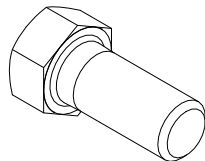
**7/16"**  
**FLAT WASHER**  
Qty 16



**7/16"** NYLOCK  
**HEX NUT**  
Qty 8



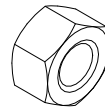
**3/8" x 1"**  
**HEX BOLT**  
Qty 4



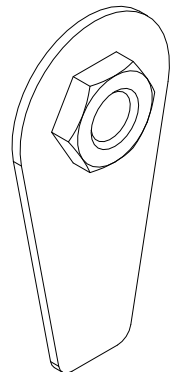
**7/16" x 1"**  
**HEX BOLT**  
Qty 8



**3/8"**  
**FLAT WASHER**  
Qty 4



**3/8"** NYLOCK  
**HEX NUT**  
Qty 4



**7/16"** FLAG NUT  
Qty 6