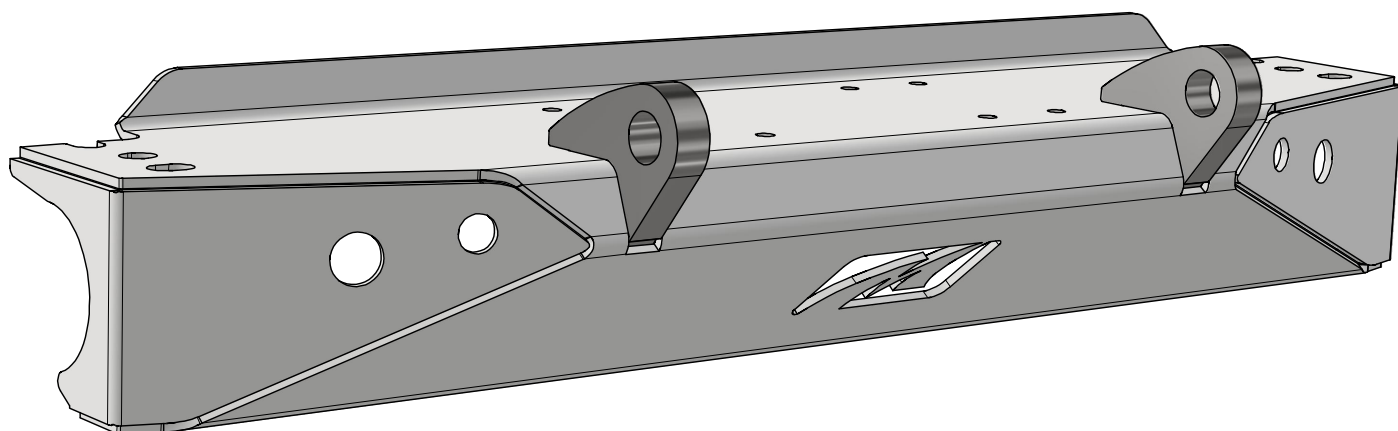
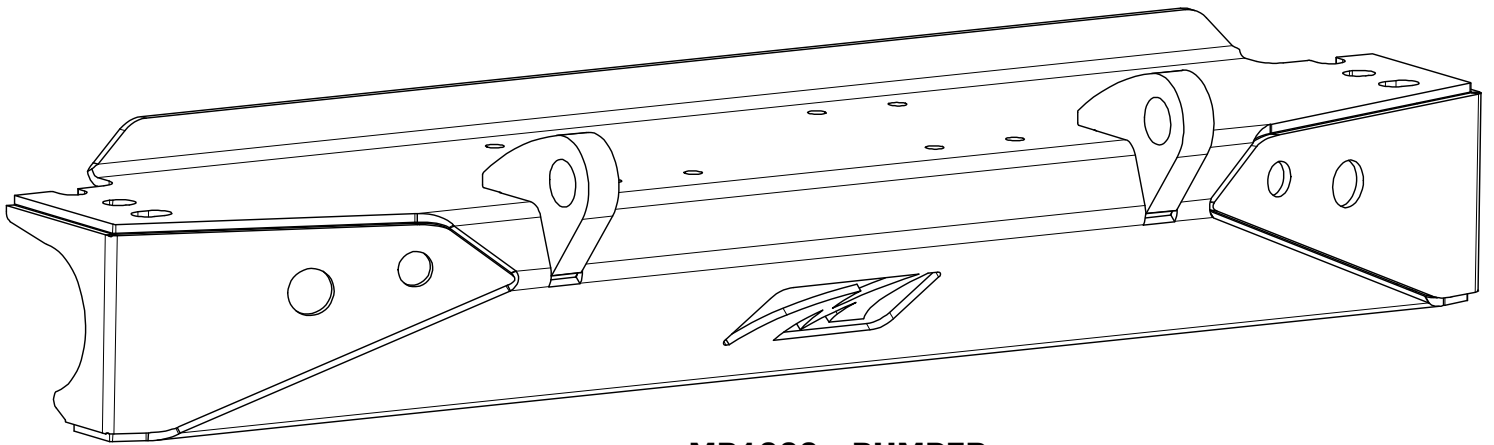


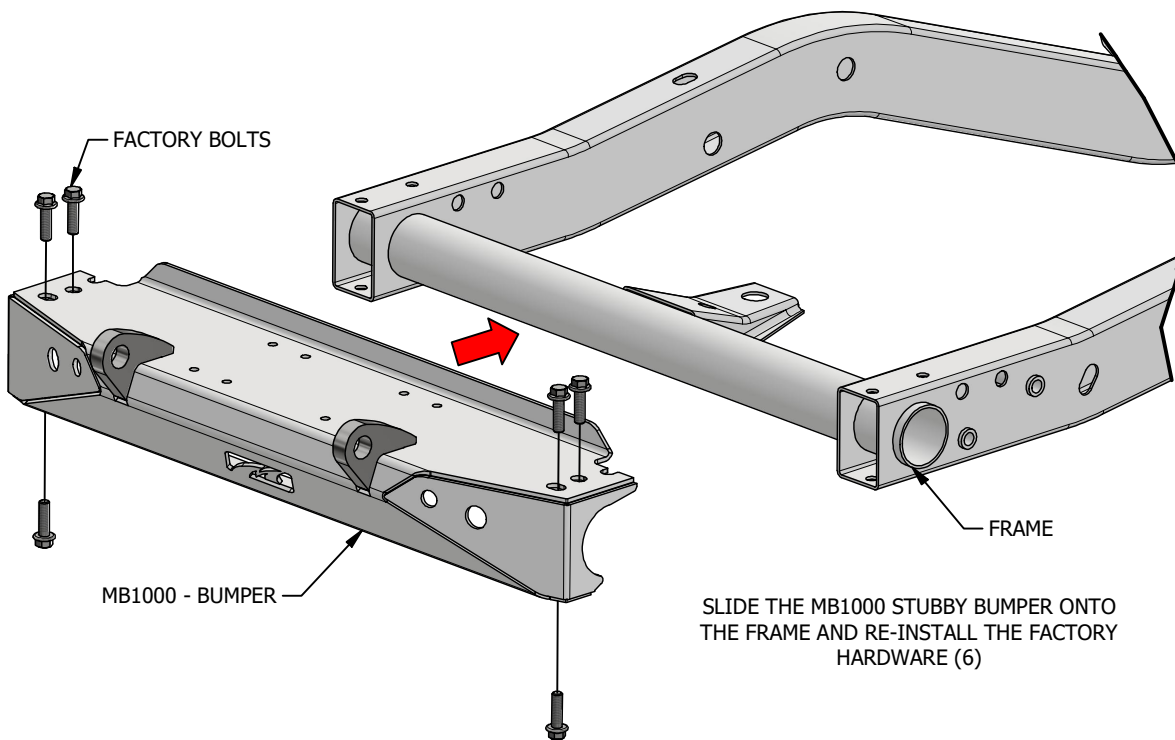
MB1000 - Assembly Instructions Stubby Bumper YJ/TJ/LJ**STUBBY BUMPER - YJ/TJ/LJ****INSTALLATION INSTRUCTIONS**

MB1000 - Assembly Instructions Stubby Bumper YJ/TJ/LJ**KIT COMPONENTS**

MB1000 - BUMPER
Qty: 1

MB1000 - Assembly Instructions Stubby Bumper YJ/TJ/LJ**INSTALLATION**

REMOVE THE FACTORY BUMPER AND
RETAIN THE HARDWARE TO RE-USE ON
THE NEW BUMPER



SLIDE THE MB1000 STUBBY BUMPER ONTO
THE FRAME AND RE-INSTALL THE FACTORY
HARDWARE (6)