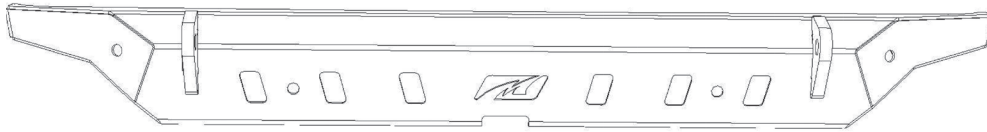
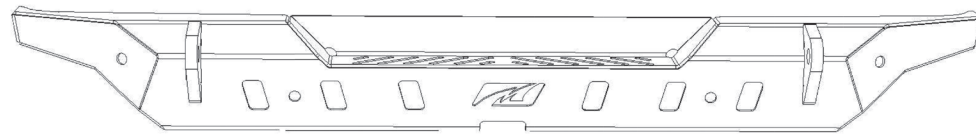


Jeep JL/JLU Rear Crusher Bumper Installation Instructions

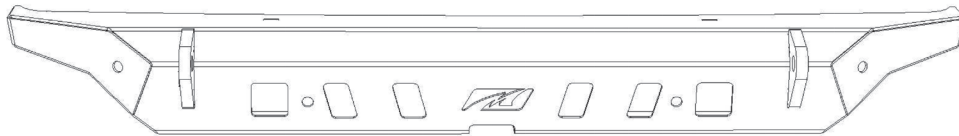
MB1079 | MB1080 | MB1091 | MB1092



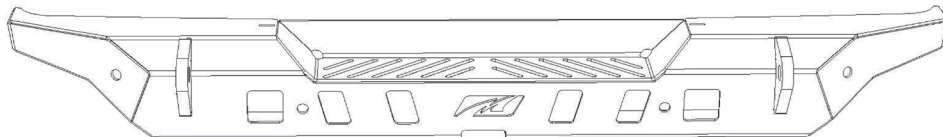
MB1079



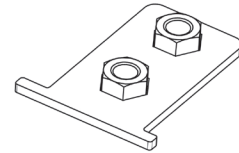
MB1080



MB1091



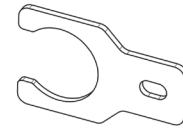
MB1092



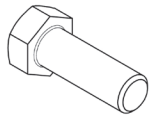
Bolt Retainer Plate
Qty 1



MB2145
Park Sensor Blank Plate
Qty 4



MB2117-01
Park Sensor Retainer Plate
Qty 4



Hex Bolt
M14-1.5 x 40mm
Qty 8



Flat Washer, 9/16"
Qty 8



Hex Button Screw
#10-24 x 1/2"
Qty 4

Jeep JL/JLU Rear Crusher Bumper Installation Instructions

MB1079 | MB1080 | MB1091 | MB1092

NOTE:

These installation instructions are common for four (4) models of Motobilt rear bumpers. Motobilt bumper models #MB1091 & #MB1092 feature cut outs & mounts for Cube Lights (Lights sold separately). The procedure to physically install all rear bumpers is the same, except bumpers #MB1091 & #MB1092 require a 12 volt power supply to be provided, which is outside the scope & intent of these installation instructions.

PRE-INSTALLATION STEPS

1. Please read through all instructions prior to installation.

2. Paint or powder coat all steel components supplied with your kit to your desired color. All steel components are shipped with a light coat of WD-40 spray & **MUST BE CLEANED** prior to painting or powder coating.

3. **NOTE:** After paint or powder coating, there may be residual paint or powder coating material obstructing the threads on the pre-installed rivnuts or on the threads of the Bolt Retainer Plate. We recommend to chase the threads of the pre-installed rivnuts with a #10-24 SAE tap prior to installation. We recommend to chase the threads of the weld nuts on the Bolt Retainer Plate with M14 x 2.0 metric tap.

4. If your vehicle is equipped with a factory installed hitch and factory 7 pin trailer wiring connector, you **DO NOT** need to remove these items. All of our Motobilt Jeep JL/JLU rear bumpers are designed to fit around your factory hitch & 7 pin wiring connector.

5. Disconnect the negative terminal on the battery.

6. If your vehicle is equipped with rear park sensors, disconnect the wiring harness leading to the rear bumper.

7. Remove factory rear bumper. Remove factory tow hook (if equipped).

If your vehicle is **NOT** equipped with rear park sensors, proceed to **INSTALLATION STEP 01**

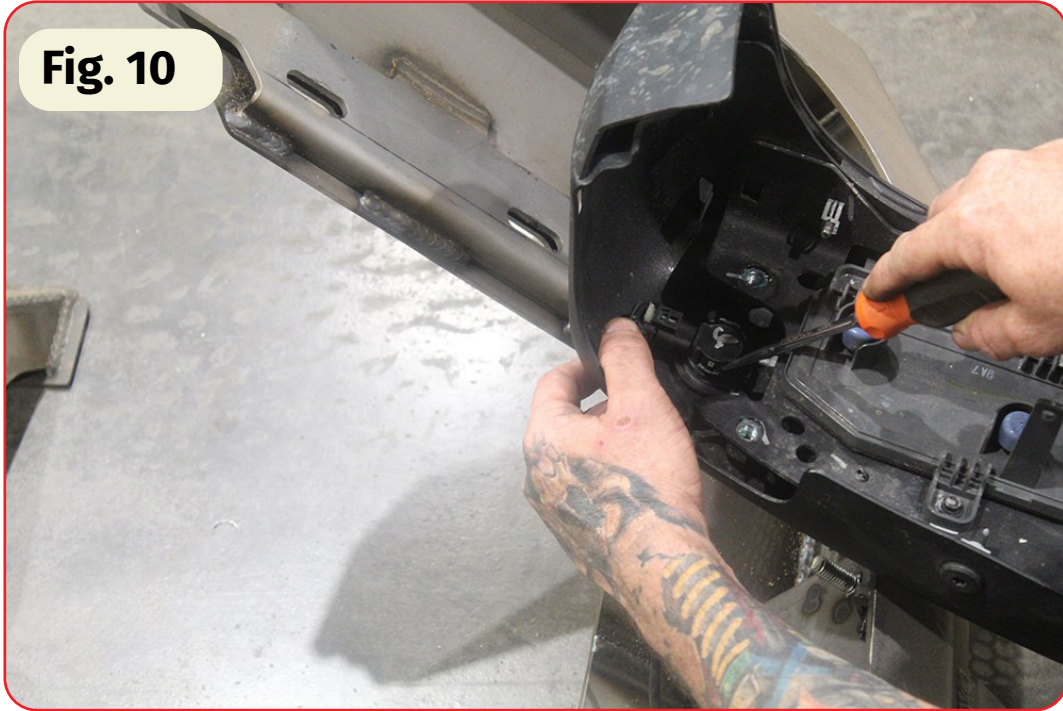
If your vehicle **IS** equipped with rear park sensors, proceed to **PRE-INSTALLATION STEP 8**

8. With the factory bumper removed, place the factory bumper face down with the wiring harness facing up.

9. Label the positions of all connections & park sensors (if equipped). Example: Park Sensor – Outer Driver, Park Sensor – Middle Driver, Park Sensor – Outer Passenger, Park Sensor – Middle Passenger, Connector – Driver, Connector – Passenger, License Plate Light – Driver, License Plate Light – Passenger. The positions of the park sensors must be placed back into their relative positions in the new bumper.

10. Disconnect the four (4) park sensors by opening the plastic bezels slightly with a screwdriver to remove them. **(Fig. 10 on next page)**

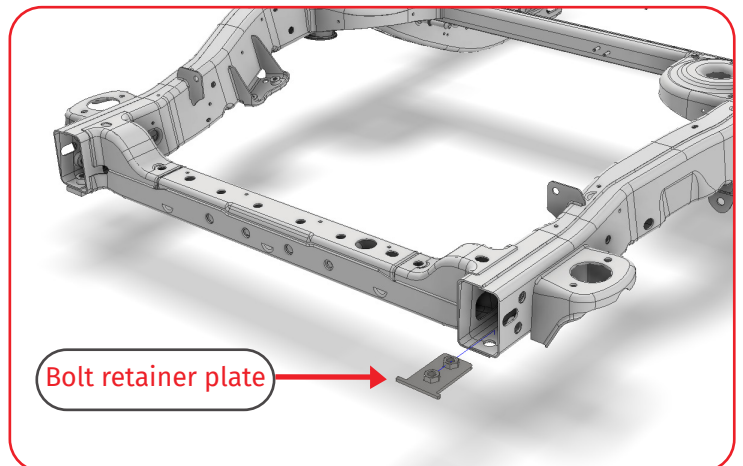
11. Remove the factory rear bumper wiring harness from the factory bumper. Set aside for installation later.

Jeep JL/JLU Rear Crusher Bumper Installation Instructions**MB1079 | MB1080 | MB1091 | MB1092****Fig. 10**

Disconnect the four (4) park sensors by opening the plastic bezels slightly with a screwdriver to remove them.

INSTALLATION**1**

- ⦿ With the rear frame exposed, place the Bolt Retainer Plate into the opening of the passenger side frame rail, as shown in the adjacent image.
- ⦿ This part has two (2) nuts welded to it & has tabs. Place the Bolt Retainer Plate so that the tabs touch the end of the open frame rail. This will align & position this part over the existing holes in the underside of the passenger frame rail.

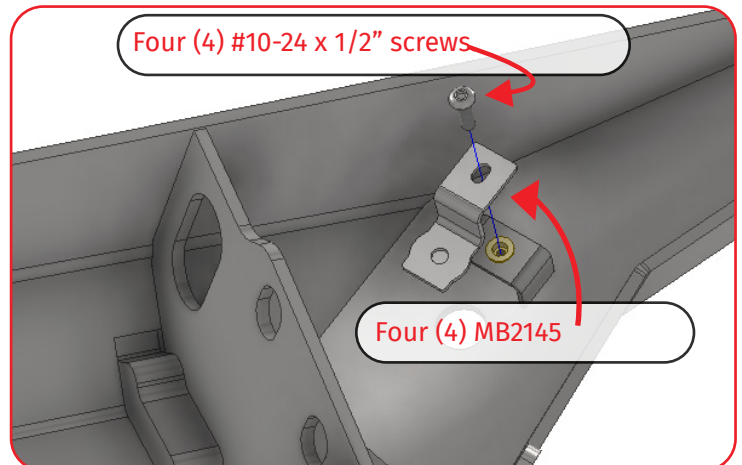
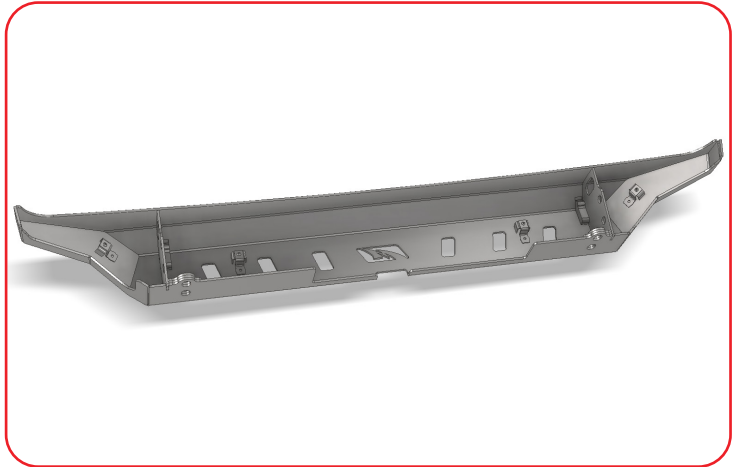


Jeep JL/JLU Rear Crusher Bumper Installation Instructions**MB1079 | MB1080 | MB1091 | MB1092****NOTE:**

- ⦿ If your vehicle is NOT equipped with rear park sensors, then proceed to **STEP 2a**
- ⦿ If your vehicle IS equipped with rear park sensors, then proceed to **STEP 2b**

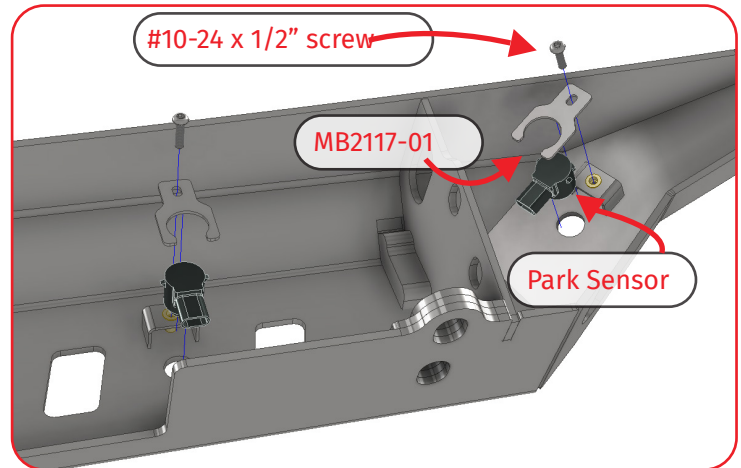
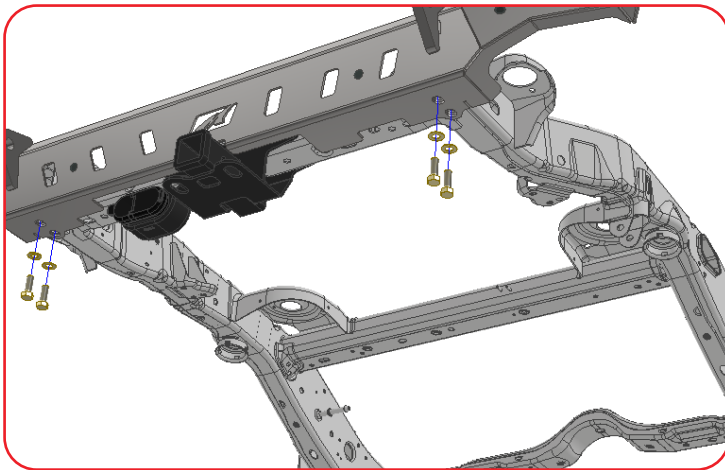
INSTALLATION FOR VEHICLES NOT EQUIPPED WITH REAR PARK SENSORS**2a**

- ⦿ We supply Park Sensor Blank Plates (MB2145) with all our Motobilt Jeep JL/ JLU rear bumpers. These are provided to fill the holes in the rear bumper when your vehicle is NOT equipped with rear park sensors.
- ⦿ Place the rear bumper face down on a flat surface.
- ⦿ Install #MB2145 Park Sensor Blank Plate in four (4) locations using #10-24 x1/2" long screws provided. It is normal to have a slight gap all around the blank plates.

PROCEED TO STEP 3

Jeep JL/JLU Rear Crusher Bumper Installation Instructions**MB1079 | MB1080 | MB1091 | MB1092****INSTALLATION FOR VEHICLES EQUIPPED WITH REAR PARK SENSORS****2b**

- We supply Park Sensor Retainer Plates (MB2117-01) with all our Motobilt Jeep JL/JLU rear Bumpers. These are provided to securely fasten your factory Rear Park Sensors.
- Install rear park sensors back into their previously labelled positions. Place the sensor in the hole in the bumper then position #MB2117-01 Sensor Retainer plate over the back side of the park sensor. Fasten using #10 x 1/2" long Hex Button Screw (4 places total)
- Route wiring harness through slots in bumper mounting plates.

**INSTALLATION (Cont'd)****3**

Install the rear bumper to the frame. Using four (4) 9/16" flat washers & four (4) M14 x 40mm long hex bolts, loosely fasten the underside of the bumper as shown in the reference image. Do NOT tighten bolts.

NOTE:

You do NOT need to remove the factory hitch or 7 pin trailer wiring connector (if equipped). The Bolt Retainer Plate installed in STEP #1 sits loosely inside the frame rail until you thread the M14 bolts into it.

Jeep JL/JLU Rear Crusher Bumper Installation Instructions**MB1079 | MB1080 | MB1091 | MB1092****INSTALLATION FOR VEHICLES EQUIPPED WITH REAR PARK SENSORS**

4 Using two (2) 9/16" flat washers & two (2) M14 x 40mm long hex bolts, loosely fasten through the passenger side frame rail. Do NOT Tighten bolts. Repeat on driver side.

5 With all fasteners loosely installed, note the gaps between the body of the vehicle. If the gaps are not even, then slide the bumper in or out on one side to make the gaps even.

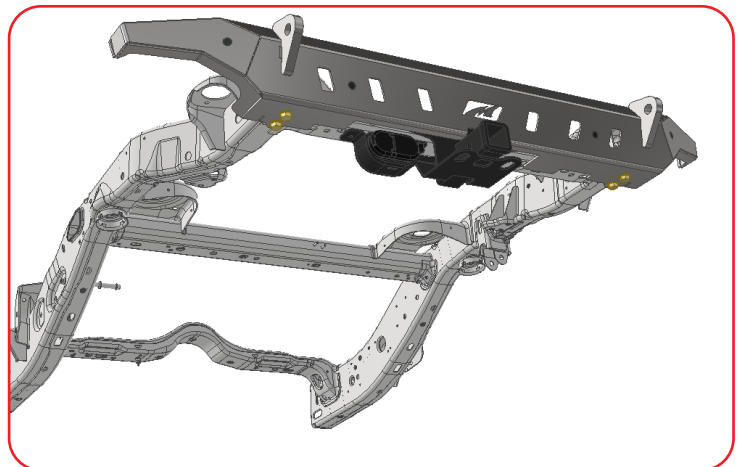
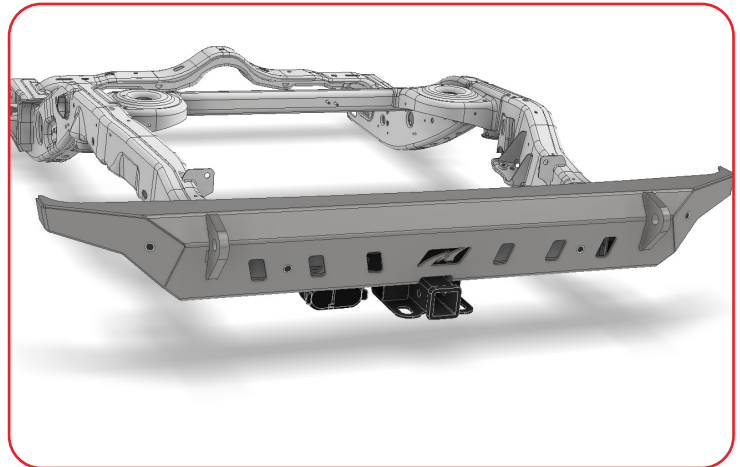
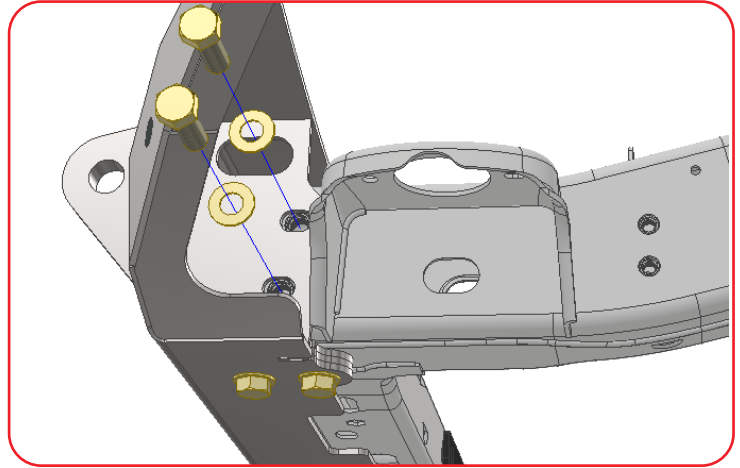
6 Tighten all fasteners.

7 If your bumper is equipped with cut outs for cube lights, route a 12 volt wiring source with appropriate circuit protection & switch where desired.

8 Connect your negative terminal on the battery.

9 Check all lights & park sensors for proper operation.

10 Check & tighten all fasteners after 50 miles then every 500 miles thereafter.



Jeep JL/JLU Rear Crusher Bumper Installation Instructions

MB1079 | MB1080 | MB1091 | MB1092

