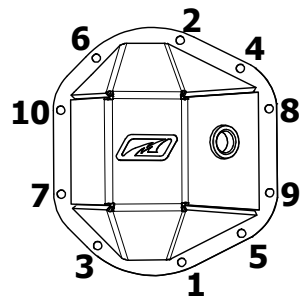


## Differential Cover Installation Instructions

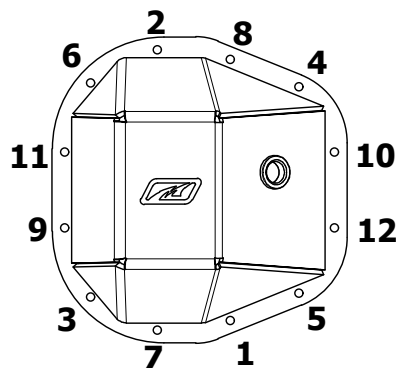
1. Clean any debris or left over gasket from the differential cover mating surface on the axle.
2. Using degreaser, clean the gasket surface on your Motobilt differential cover.
3. Use an appropriate RTV and spread evenly on the gasket surface of the differential cover. If you are using a felt gasket, we recommend using RTV on both sides of the gasket.
4. Place the differential cover onto the axle and hand thread each bolt in to place.
5. Tighten each bolt in a star pattern to the minimum torque specification based on the differential cover you are using. See the diagram for the recommended torque sequence and table for minimum torque specification.
6. Fill the differential with oil and tighten the oil fill using a 9/16" allen head.

Minimum Torque		
PART NUMBER	BOLT SIZE	FT-LBS
MB4010	3/8	30
MB4012	3/8	30
MB4012	M8	22
MB4013	5/16	22
MB4017	3/8	30
MB4028	5/16	22
MB4029	5/16	22
MB4030	5/16	22
MB4032	5/16	22
MB4043	3/8	30
MB4067	3/8	30
MB4067	M8	22
MB4073	M8	22
MB4075	M8	22
MB4077	M8	22
MB4078	5/16	22
MB4080	5/16	22
MB4088	5/16	22
MB4090	3/8	30

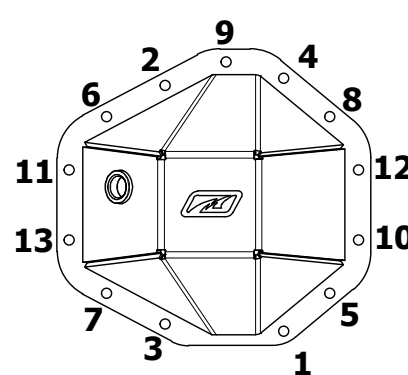
### 10 BOLT



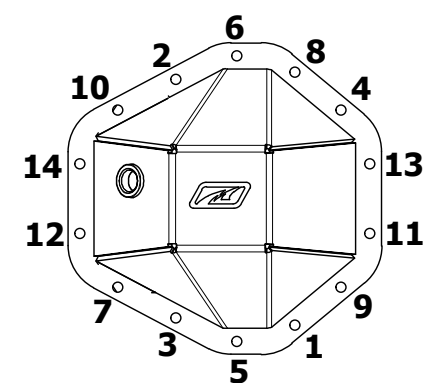
### 12 BOLT



### 13 BOLT



### 14 BOLT



Dwg/Part No:

**Diff Cover Install Instructions**

Description:

**Generic Diff Cover**

Mat'l:

 Sheet No: **1** of **1**

 Rev No: **0**