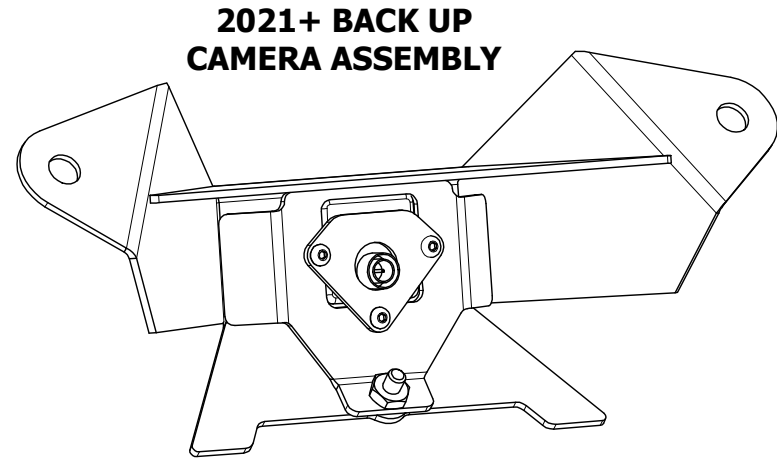


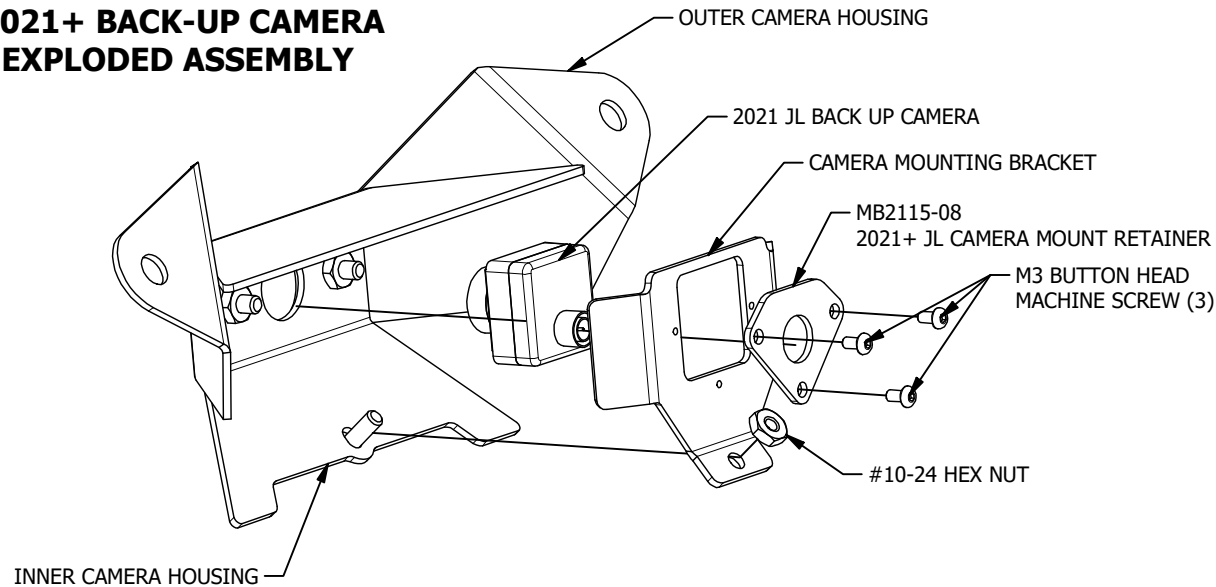
UPDATE FOR 2021+ JL BACKUP CAMERA

THE REAR BACK UP CAMERA WAS UPDATED FOR 2021 JL MODELS. IF YOU HAVE THE NEW STYLE BACK UP CAMERA FOLLOW THESE STEPS TO INSTALL THE BACK UP CAMERA IN YOUR MOTOBILT LICENSE PLATE BRACKET OR TIRE CARRIER.

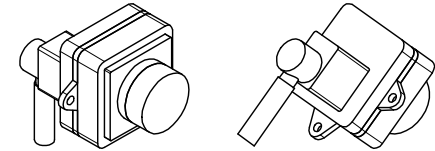
1. BOLT THE OUTER CAMERA HOUSING TO THE INNER CAMERA HOUSING USING TWO (2) #10-24 BOLTS AND HEX NUTS.
2. BOLT THE CAMERA MOUNTING BRACKET TO THE INNER CAMERA HOUSING USING ONE (1) #10-24 BOLT AND HEX NUT.
3. PLACE THE 2021+ CAMERA INSIDE THE SQUARE HOLE OF THE CAMERA MOUNTING BRACKET.
4. USING THREE (3) M3 MACHINE SCREWS, FASTEN MB2115-08 TO THE CAMERA MOUNTING BRACKET CLAMPING THE CAMERA IN PLACE.



2021+ BACK-UP CAMERA EXPLODED ASSEMBLY

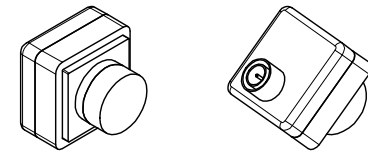


IDENTIFYING YOUR CAMERA



2018-2020 BACK UP CAMERA

MOPAR PART# 68452959AB; 68288397AC;
68414411AA; 68452959AA



2021+ BACK UP CAMERA

MOPAR PART# 04672852AB; 04672852AB



Dwg/Part No:

2021 JL Camera

Description:

2021 JL Camera Updated Assembly

Sheet No: **1** of **1**

Rev No:

Mat'l: