



Skyview® Tubelight

by Solar Industries, Inc.

Skyview® Tubelights are appropriate for both flat and pitched roof styles, and may be installed during new construction or remodeling projects.

DO NOT PROCEED WITH THE INSTALLATION UNTIL YOU HAVE READ THE ENTIRE INSTALLATION INSTRUCTION MANUAL, INCLUDING THESE WARNINGS!



These instructions have been designed to help you install your Skyview® Tubelight easily and safely. We have manufactured a product with trouble-free installation and energy efficiency in mind. Even so, it is wise to review local building codes prior to installation. You should also contact your homeowners association (if applicable) to see if there are any restrictions on exterior roof fittings:

Skyview® Tubelight installation requires working on your roof and in attic spaces. Use extreme caution at all times to avoid falling. Skyview® Tubelights contain sheet metal products that may have sharp edges. Protective work gloves, safety glasses and dust masks are recommended.

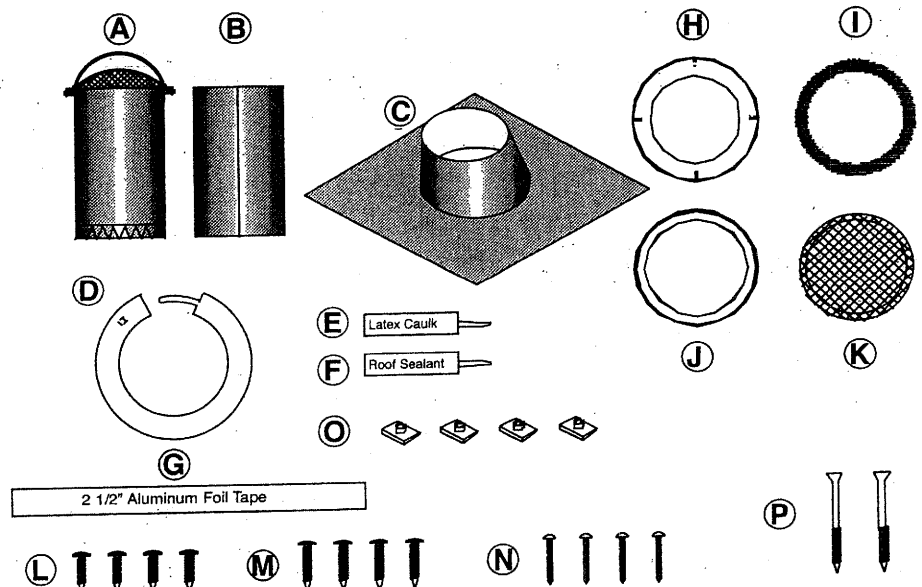
Your Skyview® Tubelight is guaranteed for the life of the unit from the date of purchase. Solar Industries, Inc. cannot, however, be held liable for any problems resulting from faulty installation. Solar Industries, Inc. recommends that the installation of this product be performed only by skilled individuals familiar with the recommended tools.

PARTS LIST

- A 1 24" tube section with dome
- B 1 24" tube extension
- C 1 roof flashing
- D 1 storm collar
- E 1 tube latex caulk
- F 1 tube roof sealant
- G 1 piece of foil tape
- H 1 trim ring backing plate
- I 1 trim ring foam gasket
- J 1 trim ring
- K 1 interior diffuser lens

1 Hardware Pack Containing:

- L 4 #8 x 3/4" tube to flashing screws
- M 4 #8 x 1 1/4" flashing to roof screws
- N 4 #6 x 1 1/4" trim ring screws
- O 4 white plastic trim anchors
- P 2 2 1/2" drywall screws
- Q Location Wire



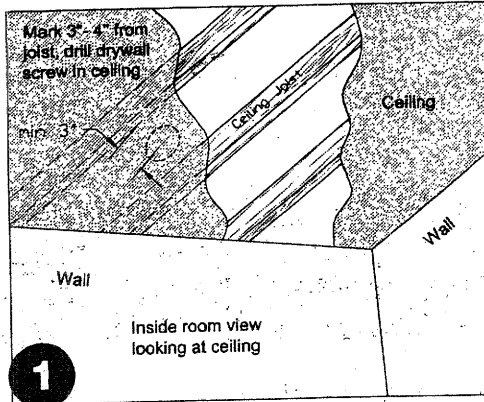
RECOMMENDED TOOLS

- protective gloves
- reciprocating/sabre saw
- safety glasses
- portable drill
- dust mask
- #2 phillips bit

- tin snips
- tape measure
- flat pry bar
- plumb line/level
- caulking gun



Locating Skyview® Tubelight inside the room:



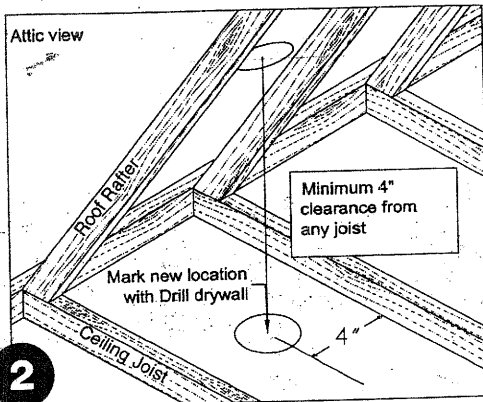
[1] Determine location of tubelight on the ceiling.

Check attic for obstructions (electrical lines, plumbing, water lines, gas lines, etc.) before starting installation. Make sure you have a clear area to install your Skyview® Tubelight. Locate

ceiling joists using a stud

finder or hammer. Pick a point 4" away from ceiling joists and drill a small hole through the ceiling. Insert the location wire (Q) provided in kit. (This will help identify hole location in the attic.)

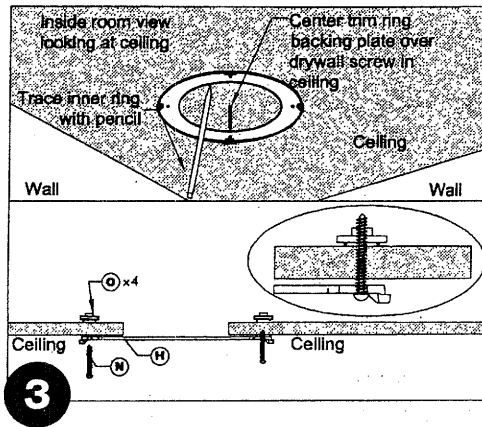
Locating attic and roof location:



[2] Enter the attic. Locate the wire inserted through the ceiling from below. Check to make sure that the unit will clear any obstructions including, plumbing, ducts, gas pipes and electrical wires. Adjust location for proper clearance. For the 8" model you will need a 4" minimum clearance from any ceiling joist; the 12" model requires a minimum distance of 6" from any ceiling joist. Check to make sure that the unit will clear any obstructions. Drill 2 1/2" drywall screw through new location. This will mark proper location of trim ring. If properly measured, the Skyview® Tubelight will be secured to a ceiling joist (if no joist is available, a wood block can be nailed in place between the joists), and be flush to the roof rafter. Using a plumb line or a level, find a straight path from the ceiling hole to the roof location. 8" model roof flashing has a 10" opening requiring a minimum 5" clearance from roof rafter; 12" model roof flashing has a 14" opening requiring a minimum of 7" clearance from roof rafter. Also make sure that the roof location is not near a ridge or valley of the roof. Drill 2 1/2" drywall screw through the roof location. Exit the attic.

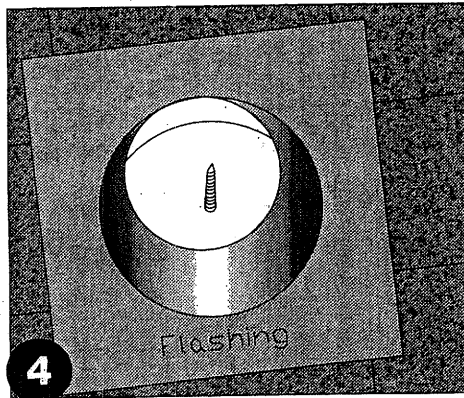
CAUTION: When in the attic, place weight only on the ceiling joists. Drywall material is not designed to carry a person's weight.

Mounting Trim Ring:

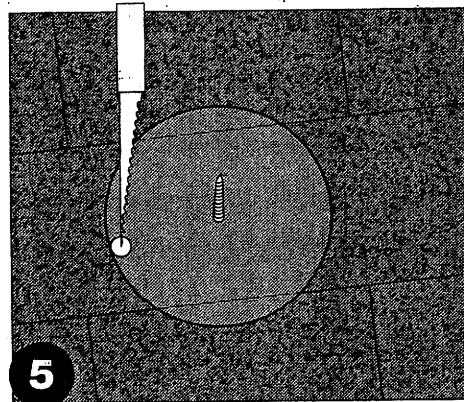


[3] Inside the room, center the trim ring backing plate around the drywall screw in the ceiling. Trace inside diameter of the trim ring on the ceiling. Drill a pilot hole inside the traced diameter of the hole to insert saw blade. Following traced pattern, use keyhole/drywall saw to cut the hole in the ceiling. Re-position trim ring backing plate and fasten to the ceiling using 4 #6 x 1 1/4" screws. Screws are driven through white plastic trim ring anchors provided in kit. Apply foam trim ring gasket to the trim ring backing plate.

Installing Roof Flashing:



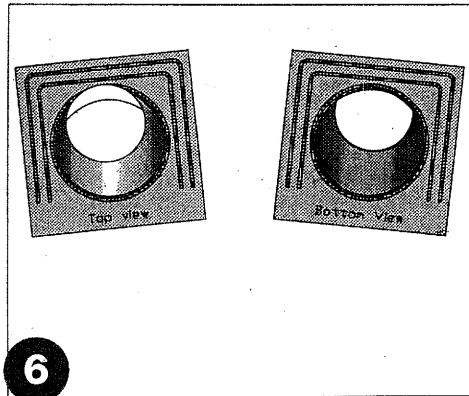
4 Center flashing over screw, trace inside diameter onto roof shingles



5 Drill pilot hole inside traced diameter to insert saw blade

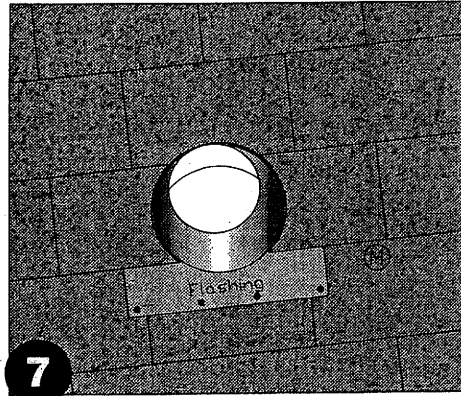
On the roof, locate screw protruding through the roof. **[4]** Place the roof flashing over the screw and center. Trace the **inside** of the flashing onto roofing material. Remove flashing. **[5]** Drill pilot hole inside traced diameter of the hole to insert the saw blade. Following traced pattern, use a reciprocating/sabre saw to cut hole. (If installing on a tile roof you will need to purchase a tile flashing, which is sold separately). Use a flat bar to carefully loosen the existing shingles around the hole and remove any roofing nails that may interfere with the insertion of the roof flashing. Slide the top and sides of the roof flashing under the shingles. When roof flashing will slide under shingles (and under paper, when possible), remove roof flashing. **[6]** Apply roof sealant (provided in kit) along the bottom and top of the roof flashing as shown. Slide under the roof shingles, centering on the hole. **[7]** Adjust the roof flashing so it is perpendicular to the roof and screw down the bottom of the flashing with 4 #8 x 1 1/4" screws. **NOTE: You may have to trim the top of the flashing to accommodate various roof pitches.**

Sealing Flashing:



6

Apply roof sealant to top and bottom of flashing as shown

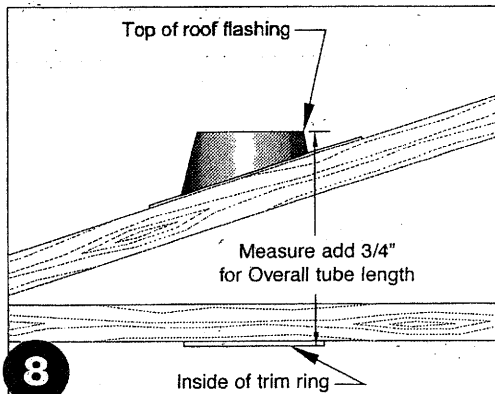


7

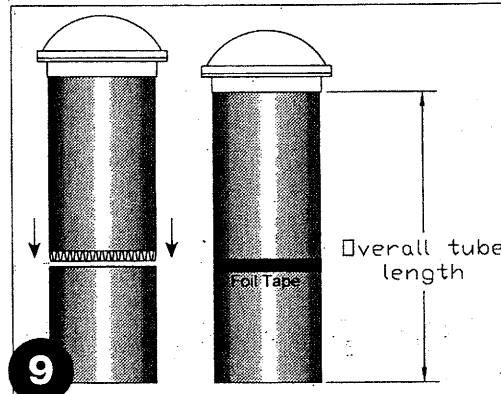
Slide flashing under shingles, center over hole and fasten in place with M 4-#8 x 1 1/4" screws

Apply roof sealant around the 4 screw heads and around the base and vertical seams of the roof flashing.

Installing Tube Section:



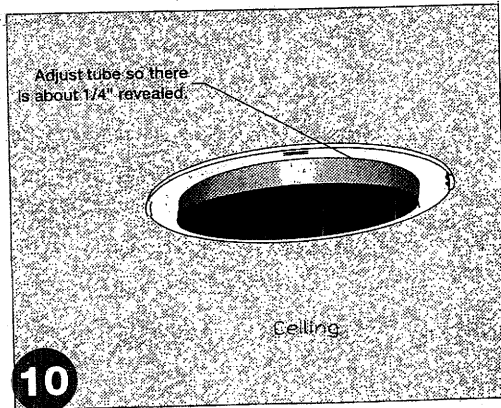
8



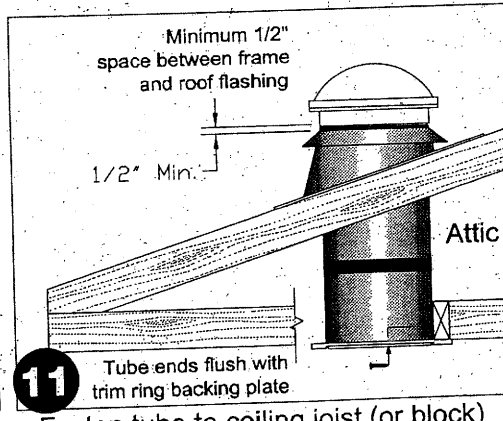
9

[8] Measure distance from the inside of ceiling to the top of the roof flashing and add 3/4". This is the length of tube required for your application. Standard kits have 44 1/2" of tubing. (Optional 2' extensions are available to extend tube length 22"). Make sure you have enough extension. Remove the extension pipe from the box, roll sides together and snap the lock together, then pull protective film down about 3". Remove the protective film from the top dome assembly pipe. [9] Insert dome assembly pipe into the lower extension pipe. Tape the pipes together with the foil tape provided in kit. Lower tube assembly through the roof flashing until it goes through the ceiling ring. Tube assembly should have at least 1/2" minimum clearance from the top of the roof flashing.

Trim Ring/Diffuser:



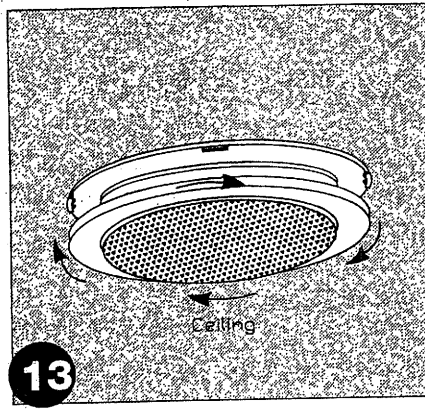
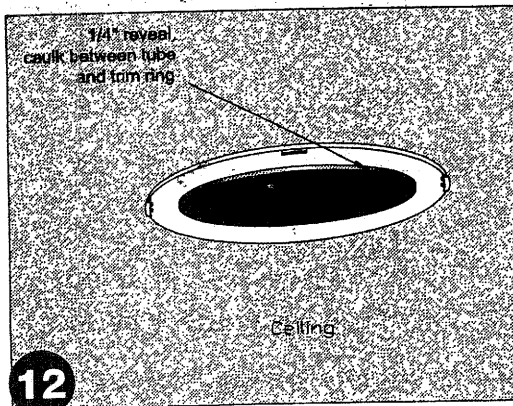
10 Adjust tube so there is about 1/4" revealed.



11 Fasten tube to ceiling joist (or block) with screw

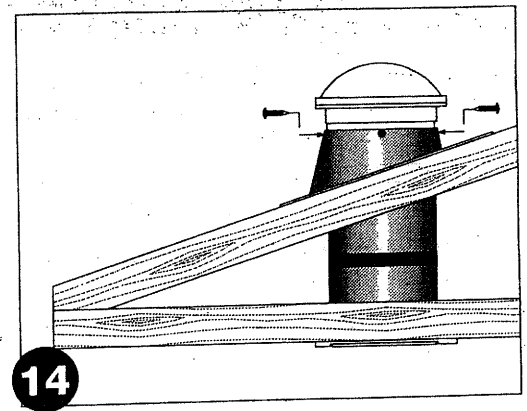
[10] Inside the room, adjust the tube so that there is about 1/4" revealed. Remove remaining protective film inside the tube. Use a screw to fasten tube to **[11]** ceiling joist (or block) this will secure the bottom of the tube.

Trim Ring/Diffuser (ctd.):

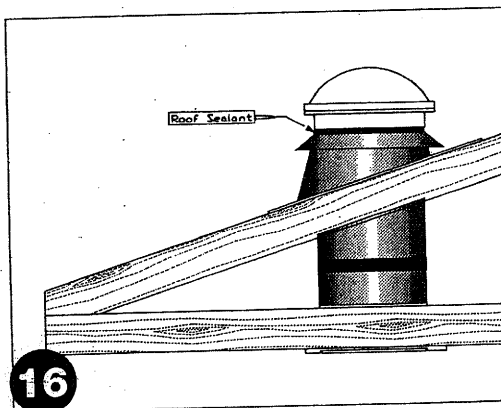
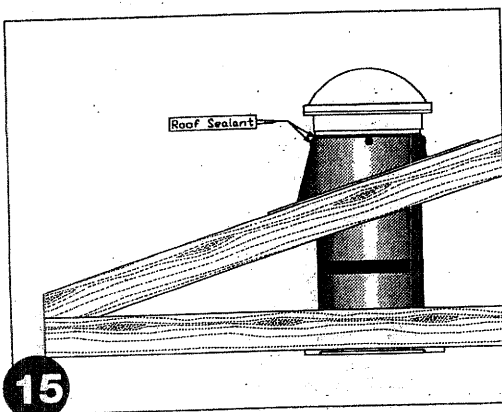


[12] Caulk the tube to the ceiling-mounting ring with white latex caulk provided in kit. **[13]** Insert the diffuser lens into the trim ring. Center trim ring over trim ring backing plate mounted to the ceiling; rotate clockwise until the trim ring assembly pulls tight to the ceiling.

Return to the Roof:



Return to the Roof (ctd.):



[14] Fasten flashing to the tube assembly with 4 #8 x 3/4" sheet metal screws provided in kit. **[15]** Caulk around the tube, at the roof jack and the vertical seam of the tube. **[16]** Apply the storm collar to the tube, just above the roof jack flashing. Caulk around the top of the storm collar.

LIFETIME GUARANTEE

All Skyview Tubelights are fully guaranteed for life against defects in materials and workmanship. This lifetime guarantee is effective from the date of purchase, provided that the product is installed in accordance with Solar Industries, Inc. recommendations. The liability of Solar Industries, Inc. shall not exceed the original purchase price of the defective unit, and does not include shipping and installation costs.

Do not use products that contain ammonia or petroleum to clean your Skyview Tubelight. Doing so will void the guarantee.

Skyview® Tubelight

by Solar Industries, Inc.



P.O. Box 27337

Tucson, AZ 85726-7337

520-519-8258

www.solarindustriesinc.com

Product installation information is supplied in good faith, however Solar Industries, Inc. does not guarantee these recommendations because installation conditions vary and are beyond our control. Please consult your local building codes for more specific installation information.