



ASSEMBLY INSTRUCTIONS

For Use With
FEZiBO Desktops 48" and Larger

For assembly assistance, email service@fezibo.com

Caution

Please read this manual carefully. If this desk changes hands, please provide this manual to the new owner.

Make sure the desktop is not touching any obstacles or walls and that no obstacles are in the path of the desk. Make sure all cords are of an appropriate length to accommodate the full range of height adjustments. Keep children away from desk components. There is a risk of injury and electric shock. Do not sit or stand on the desk frame. Do not crawl or lie under the desk frame.

Do not open or modify any of the components including the lifting columns, control box, or handset. Doing so risks electric shock and voids the warranty.

Placing objects taller than 20" underneath the desk will obstruct the desk's movement and may result in physical damage.

Voltage Converters

Using a voltage converter could cause damage to the desk and is considered improper use. The resulting damage is not covered by the warranty.

Verify the voltage of the control box as labeled to avoid damage. Replacement voltage control boxes are available from FEZIBO. This desk has electric motor and is designed for use in dry work environments only.

Use & Liability

This FEZIBO desk is adjustable so it can be positioned at an optimal ergonomic height. Any extraneous use is at the user's own risk. Under no circumstances does the manufacturer accept warranty claims or liability claims for damage caused by improper use or handling of the desk frame.

Before Starting	<p>On a padded or carpeted area, take all of the items out of your FEZIBO frame box and confirm that nothing is missing. Reference the included parts listings on page 3.</p>
Specifications	<p>Electric control panel:</p> <ol style="list-style-type: none">1. Input Voltage: 100-240 VAC 50/60Hz2. Continuous usage: Do not continuously use the motor non-stop for more than 2 minutes over any 20 minute period. <p>Desk frame:</p> <ol style="list-style-type: none">1. Maximum load while lifting: 60 kg / 132 lbs2. Maximum load while stationary: 80 kg / 176 lbs
Safety Warning	<p>Please read this manual carefully before use.</p> <ol style="list-style-type: none">1. For indoor use only.2. The product must be connected to the correct power supply.3. For any accessories connected to the control box, the plug type and electrical characteristics must conform to its specifications.4. If the transformer's external cable is damaged and need to be replaced, a replacement part will be provided by the manufacturer or its service agent.

FEZIBO standing desk



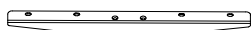
A—Column 1 (with motor)



B—Column 2



C—Foot×2



D—Side bracket×2



E—Center rail



F1—Sync rod 1



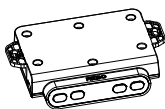
F2—Sync rod 2



G—Hook×2



H—Cable management tray



I—Handset



J1—Power cord



J2—Power adapter



J3—Power adapter clamp



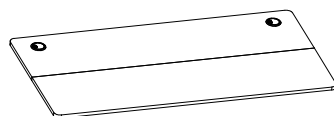
K—Connecting board $\begin{cases} \times 3 (\text{For } 48''/55'') \\ \times 4 (\text{For } 63'') \end{cases}$



L—Cable clip×10



O—Wooden pin $\begin{cases} \times 5 (\text{For } 48'') \\ \times 6 (\text{For } 55''/63'') \end{cases}$



P—Table board×2



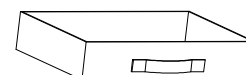
Q1—ST5*14 $\begin{cases} \times 32 (\text{For } 48''/55'') \\ \times 34 (\text{For } 63'') \end{cases}$



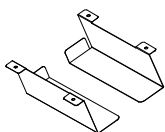
Q2 (R2)—M6*14×12



Q3 (R1)—M6*16×4 Q4—ST3.5*16×2



S1—Drawer



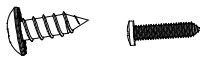
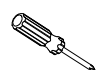
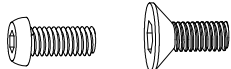
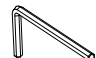

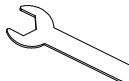
S2—Side bracket for drawer



S3—Pen tray

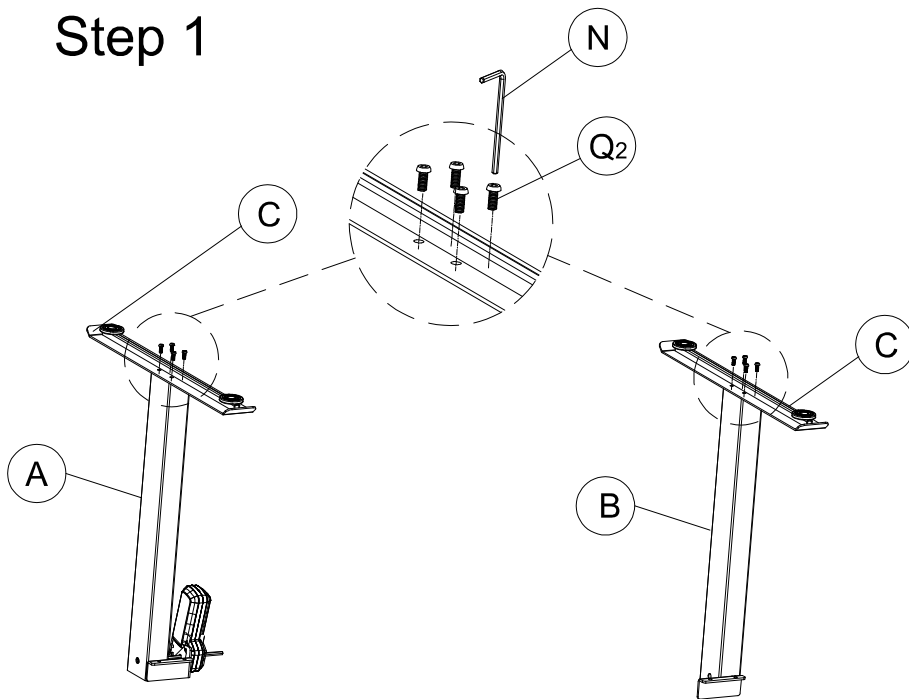


T—Caster with brake×4

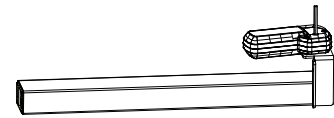
Note	Tools			
Wood Screws:pointy end 	U—Wrench			Screwdriver (not included) 
Machine screws:flat end 	N—M4 Allen Key 	U1—#6 Wrench 	U2—#14 Wrench 	

Assembly

Step 1



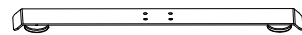
Checklist



A—Column 1 (with motor)



B—Column 2



C—Foot×2

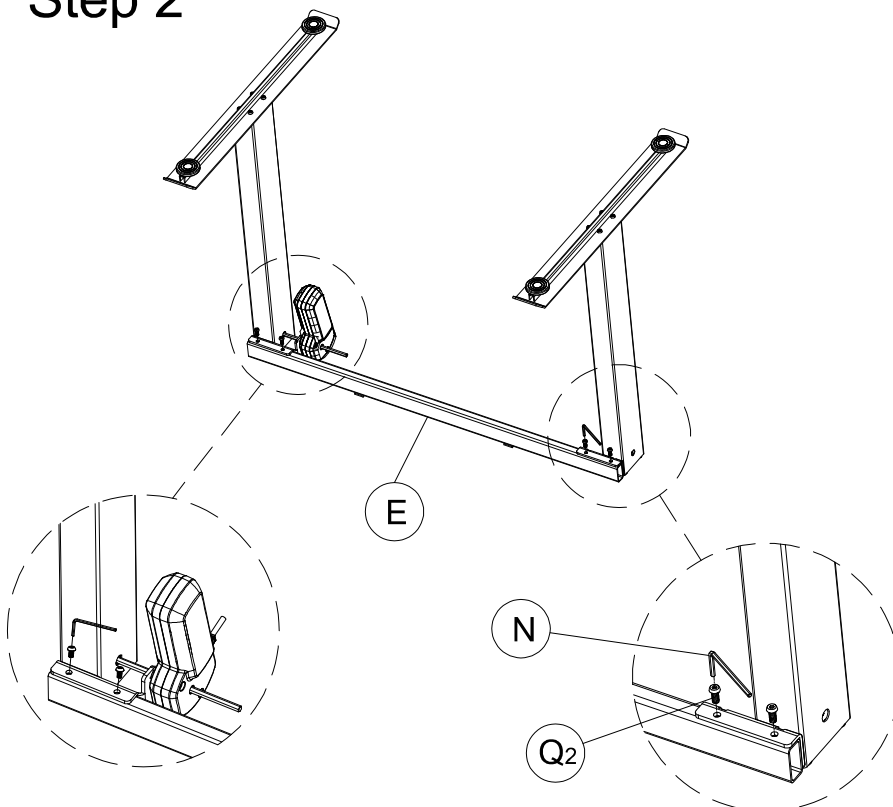


N—M4 Allen key (part of "U-Wrench")



Q2 (R2)—M6*14×12

Step 2



Checklist



E—Center rail



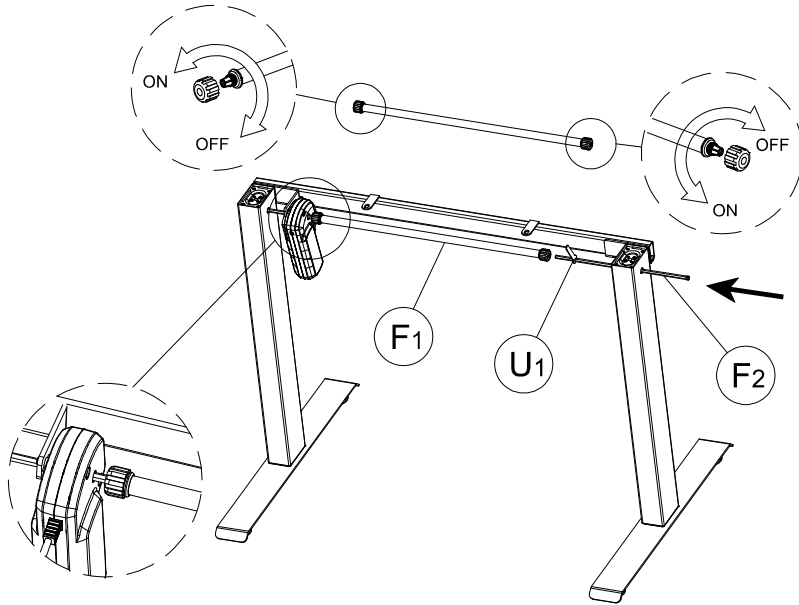
N—M4 Allen key (part of "U-Wrench")



Q2 (R2)—M6*14×12

Step 3

Please tighten the locking sleeves on both ends after you have installed F₁ and F₂.



Place F₁ as close to the motor as possible.

Checklist



F₁—Sync rod 1

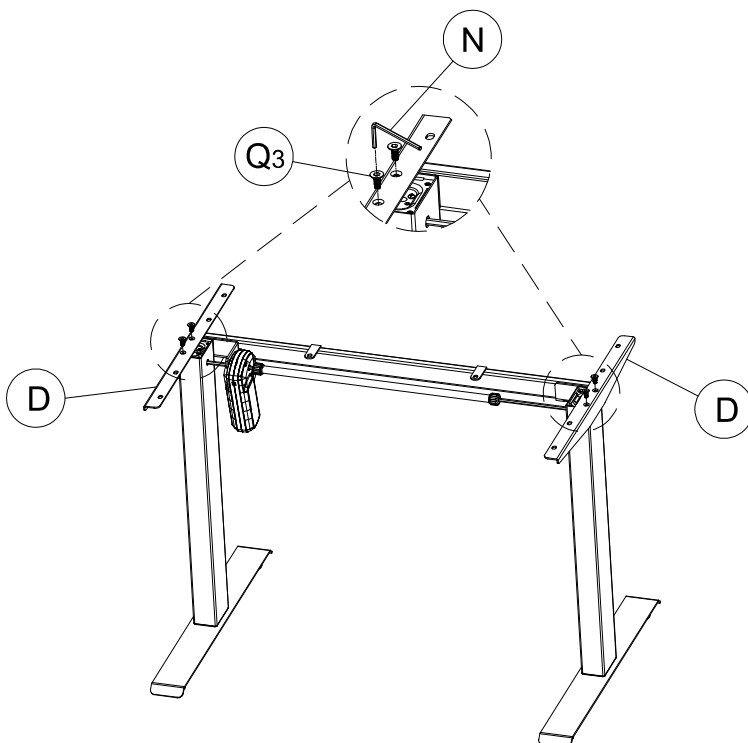


F₂—Sync rod 2



U₁—#6 Wrench (part of "U-Wrench")

Step 4



Checklist



D—Side bracket×2



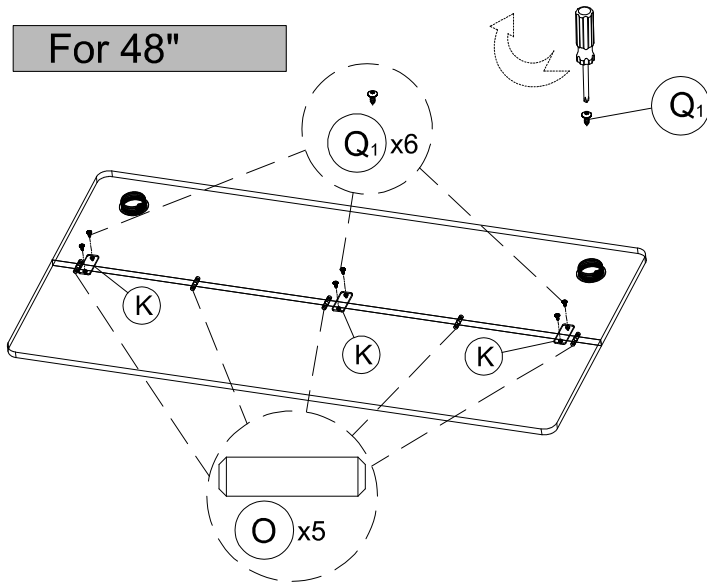
N—M4 Allen key (part of "U-Wrench")



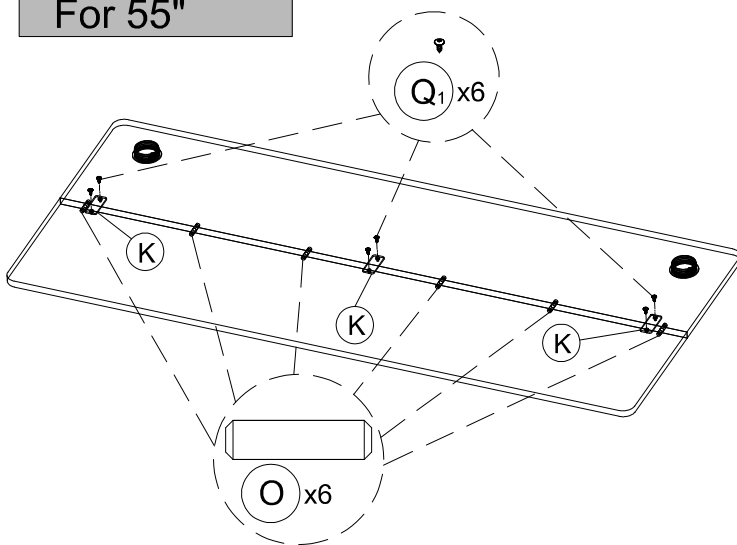
Q₃ (R₁)—M6*16×4

Step 5

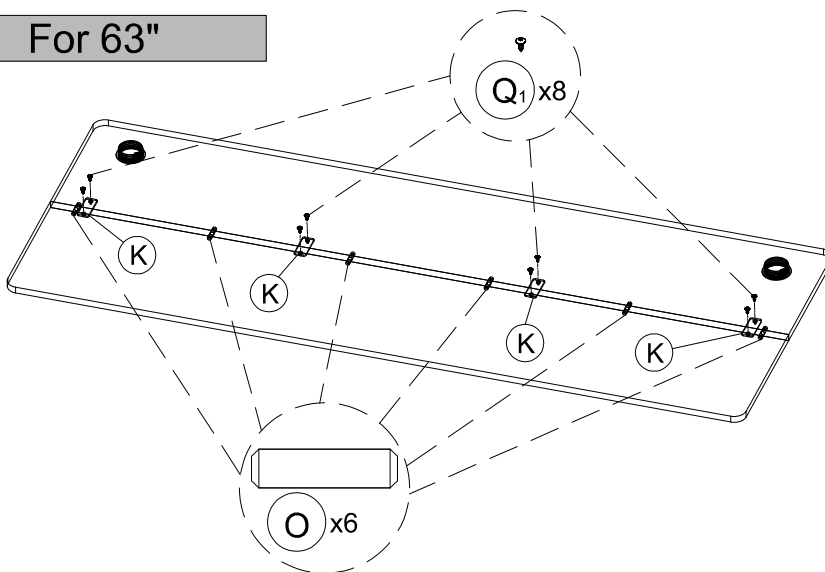
For 48"



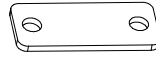
For 55"



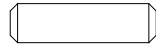
For 63"



Checklist



K—Connecting board $\begin{cases} \times 3 (\text{For } 48''/55'') \\ \times 4 (\text{For } 63'') \end{cases}$

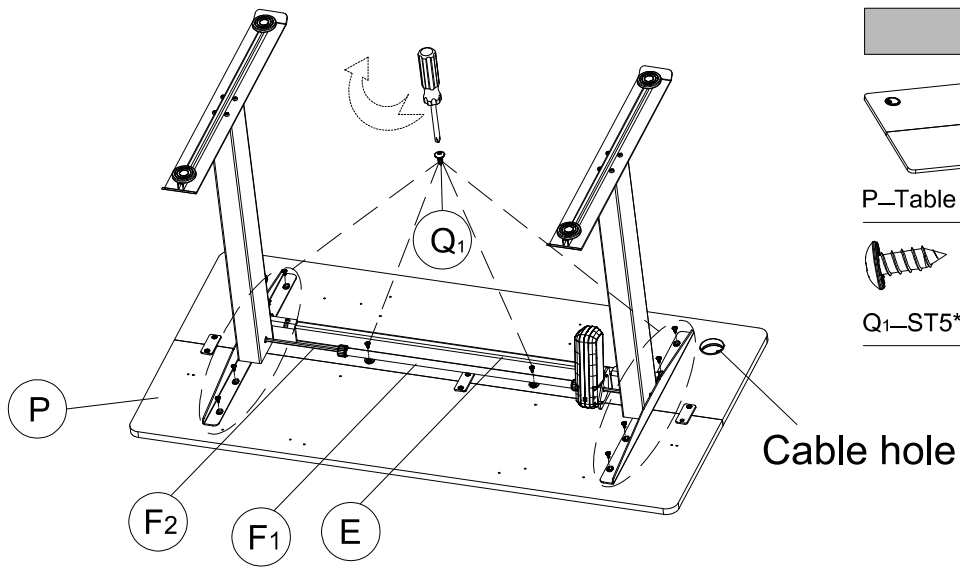


O—Wooden pin $\begin{cases} \times 5 (\text{For } 48'') \\ \times 6 (\text{For } 55''/63'') \end{cases}$



Q1—ST5*14 $\begin{cases} \times 32 (\text{For } 48''/55'') \\ \times 34 (\text{For } 63'') \end{cases}$

Step 6



Checklist



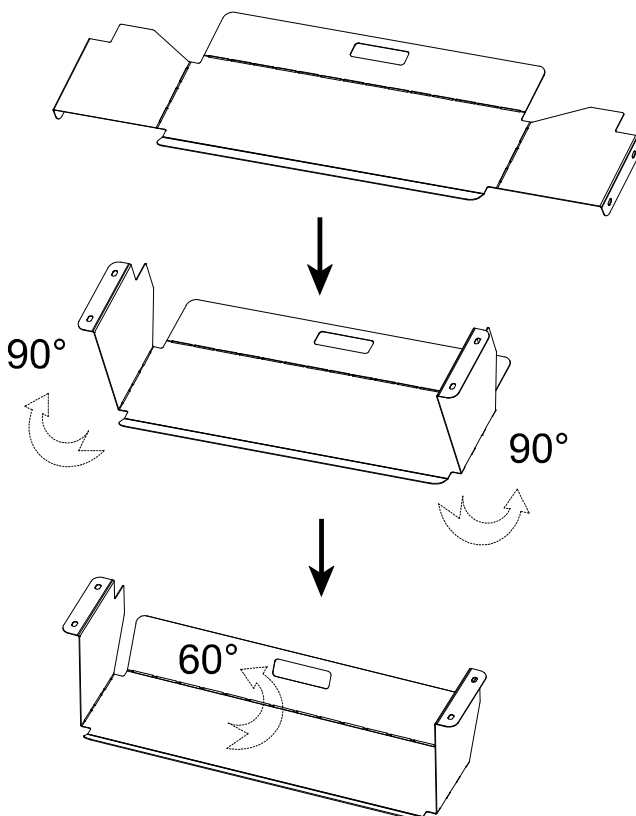
P-Table board×2



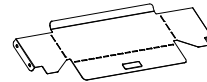
Q1-ST5*14×10

Please make sure part F₁ and F₂ are facing you, and the table board with cable holes is on the same side of part E.

Step 7

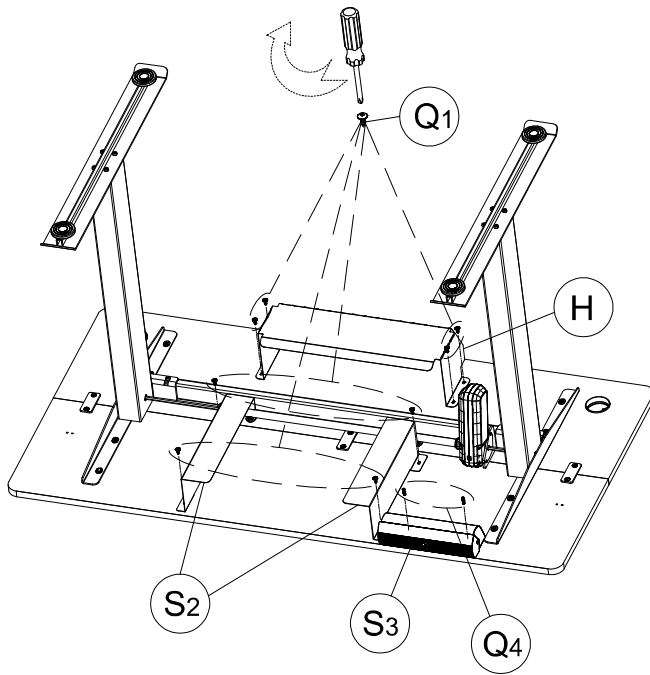


Checklist

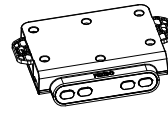


H-Cable management tray

Step 8



Checklist



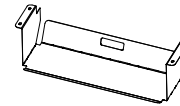
I-Handset



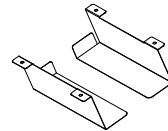
J2-Power adapter



J3-Power adapter clamp



H-Cable management tray



S2-Side bracket for drawer



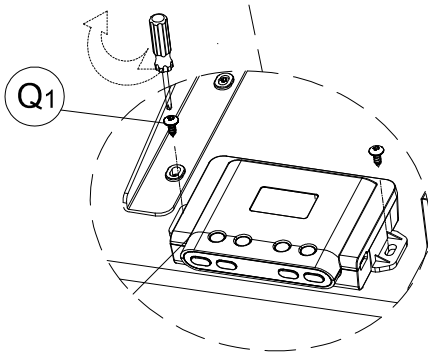
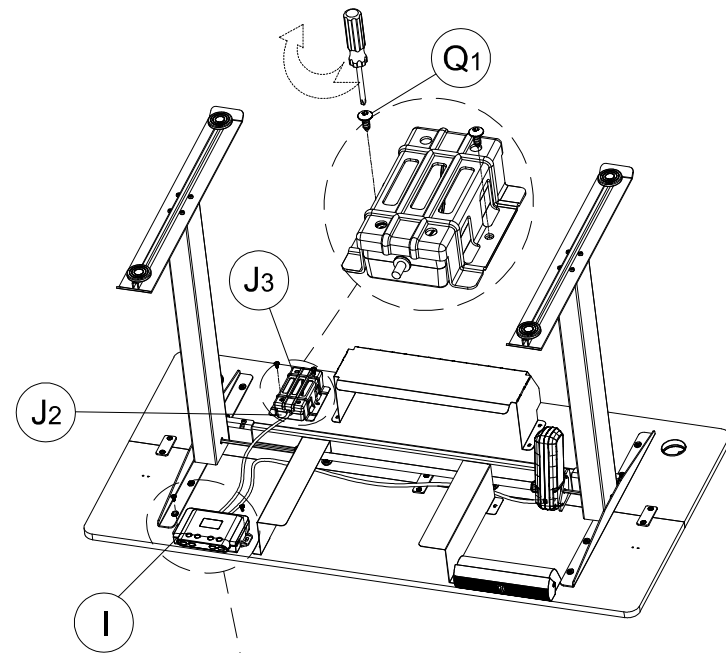
S3-Pen tray



Q1-ST5*14*12

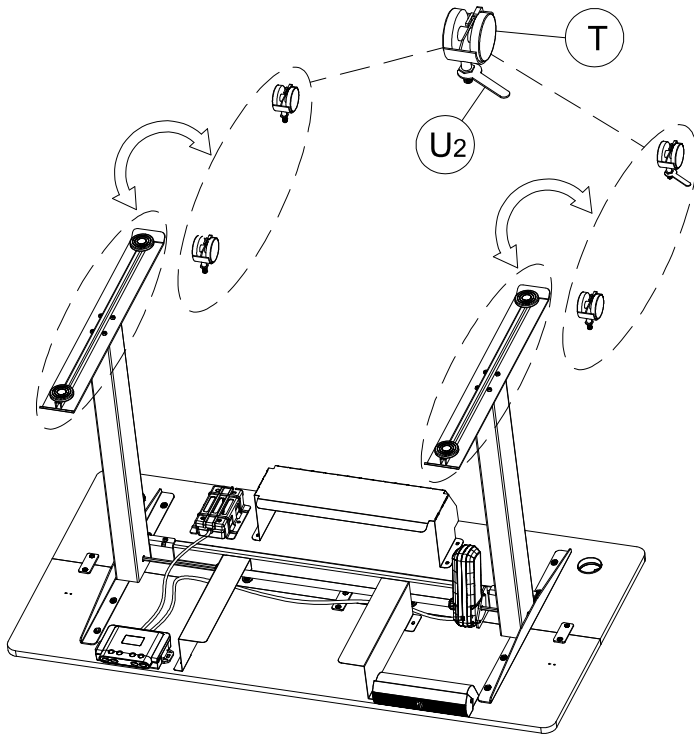


Q4-ST3.5*16*2



Please insert J2 into the housing unit of J3 before tightening the screws of Q1.
 Note: the cable with DC port from J2 must be pointing towards the control box of I.

Step 9



Checklist



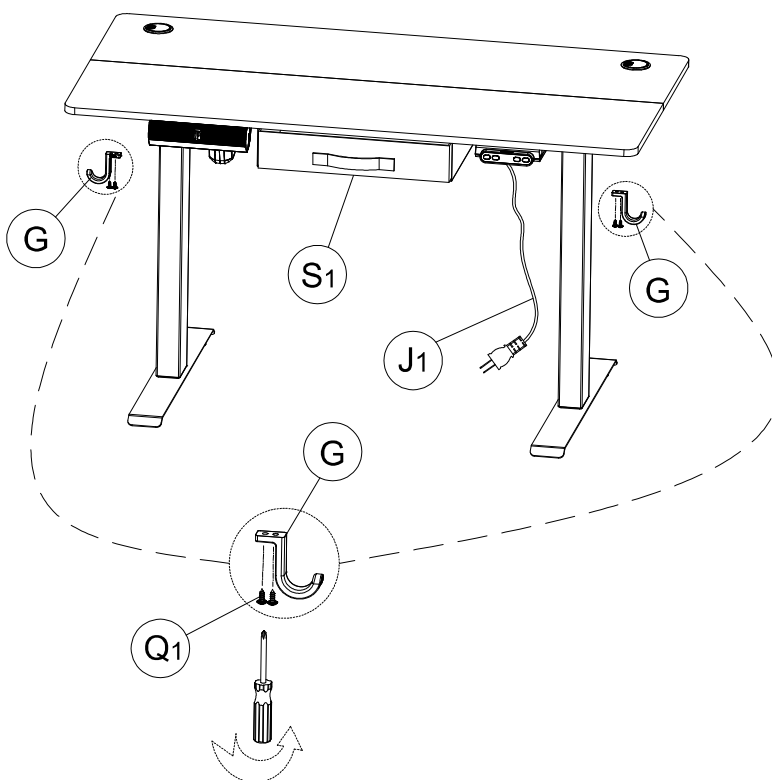
T—Caster with brake×4



U2—#14 Wrench (part of "U-Wrench")

The foot pad can be replaced by
caster with brake.

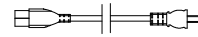
Step 10



Checklist



G—Hook×2



J1—Power cord

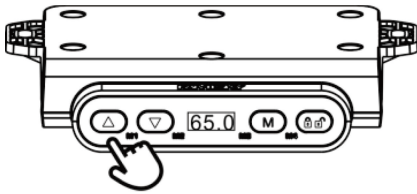


S1—Drawer



Q1—ST5*14×4

General Settings



Height Adjustment

Operation

Press ▲ to lift and ▼ to lower your desktop. Release the button to stop the raising/lowering.

Memory Preset

Description

You may press once on any of the digital buttons to move your desk to a memory preset height via the handset, with 4 digital buttons representing 4 preset heights.

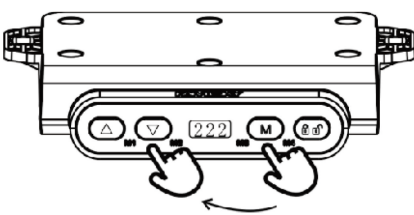
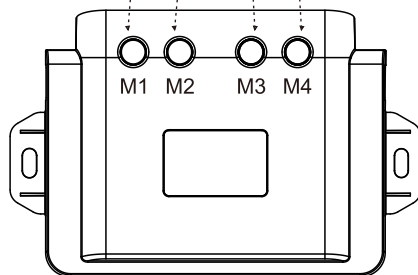
Operation

Press on "M" until the display is flashing with "S-", press on "M1"/"M2"/"M3"/"M4" until the display shows "S-1"/"S-2"/"S-3"/"S-4", press on "M" again until the display quits flashing to complete the memory preset.

The front side:



The bottom side:



Height Limits

Description

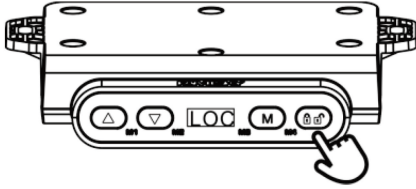
Set your desk height as the max/min height.

Operation

Set min height: lower your desk to the desired minimum height, press down "M" and ▼ simultaneously for 5 seconds until the display shows flashing "222" to save your min height.

Set max height: raise your desk to the desired maximum height, press down "M" and ▲ simultaneously for 5 seconds until the display shows flashing "111" to save your max height.

Cancel height limits: press down "M" and (lock icon) simultaneously for 5 seconds until the display shows flashing "333" to cancel height limits.





Lock/Unlock

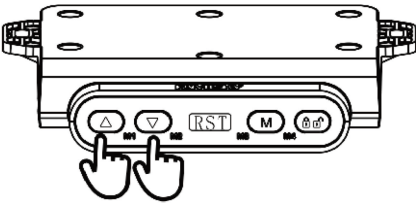
Description

Lock your desk to prevent misoperation.

Operation

Lock: when the display is lit up, press down on  for 3 seconds until the display shows "LOC" to lock your desk.

Unlock: press on  for 3 seconds until the display is lit up to unlock your desk.



Reset

Description

A desk reset is required before initial use or to resolve any malfunction of the desk motor.

Operation

If your desk is able to move up and down freely:

set it to the lowest possible position by holding down the ▼ until the desk stops moving and then immediately release the ▼.

Next, press and hold both the ▲ and ▼ simultaneously for 5 seconds until you see the controller displays "RST," then immediately release both buttons.

Once again, press and hold both the ▲ and ▼ simultaneously for 5 seconds until you see the desk height appears.

The desk will now function normally.

If the desk is jammed and can not be properly lowered:

the controller is already displaying "RST".


Press and hold the ▲ and ▼ buttons at the same time for 10s.

Eventually the desk will go to its lowest position and then it will display the desk height properly.

The desk will now function normally.

Eco-mode

Description

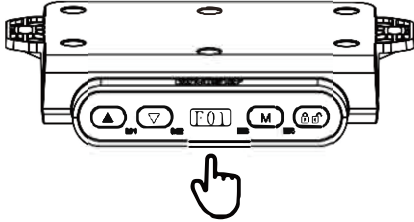
Without any operation for 15 seconds, your handset will enter into Eco-mode and the display will turn off. You can disable this mode by pressing down on any button, followed by pressing down the  button for 3 seconds.

Error codes

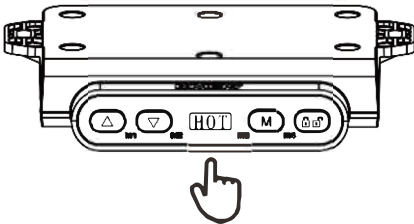
System Protection

Description

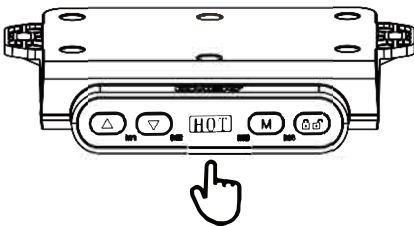
Error codes will be displayed in the following scenarios:



overcurrent protection for motor: in the event of a power spike (over 8 amps) to the motor, the display will show "F-01" and the motor will cease.



thermal protection for the handset: the display will show "HOT" on your display, when the internal temperature of the controller is close to or above 167°F, the system enters into an overheating protection mode during which button functions will be disabled.



excessive use: the display will show "HOT" on your display, activated when the height of the desk has been adjusted for over 2 minutes continuously within a 20 minute period and button functions will be disabled.

Description

In the event of a power spike (over 8 amps) to the motor, please perform a reset.

In the event of a thermal or excessive use warning, please wait around 15 minutes for the handset to cool down, become operational again and displays your desk's height.

Reset Abnormality Warning

Description

In some rare cases the abnormal signal warning "FOI" may appear causing the system to enter into protection mode. To resolve this please check cable connections and perform a reset.

Operation

Press ▲ and ▼ simultaneously for 5 seconds until the display shows "RST". Release and press down ▲ and ▼ simultaneously again, and the desk will lower and perform a reset, signaled by the display finally showing numbers.

Why choose FEZIBO?

Many ergonomic office solutions come at a high cost. Our mission is to bring you a more affordable solution with innovation, creativity and efficiency without compromising quality or ease of use.



WARRANTY SERVICES

To provide you with the best service, don't forget to register your FEZIBO product to confirm your warranty.

It only takes a few simple steps and then you can access a wide range of services such as technical support, new product alerts, promotions, and warranty services from FEZIBO.

✉ Send your name and order ID to service@fezibo.com

For more FEZIBO products, check out our website at: www.fezibo.com