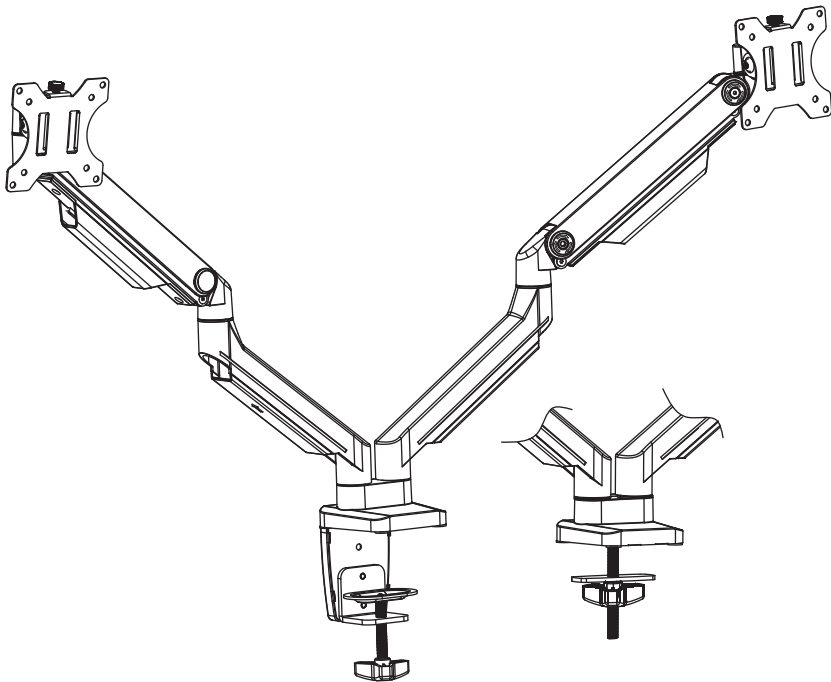




INSTALLATION MANUAL

Counterbalance Monitor Desk Arm



ELTGM01-2



75x75/100x100



(2-8kg)x2
(4.4-17.6lbs)x2
RATED





www.eletabergo.com




service@eletabergo.com



www.facebook.com/EleTabus

 Read the entire instruction manual before you start installation and assembly. If you have any questions regarding any of the instructions or warnings, Please contact at  service@eletabergo.com for assistance.

CAUTION:

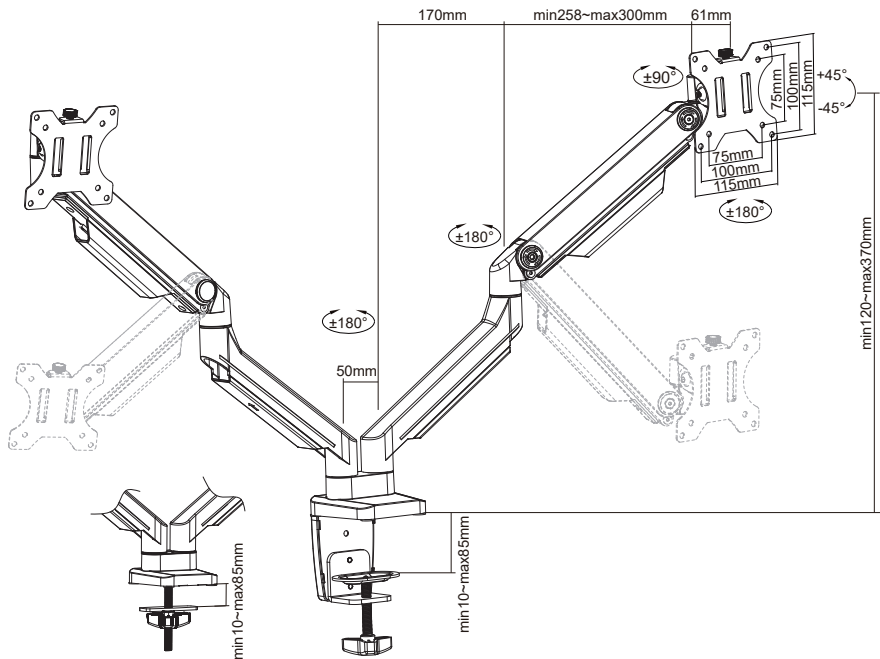
 Use with products heavier than the rated weights indicated may result in instability causing possible injury.

- Mounts must be attached as specified in assembly instructions. Improper installation may result in damage or serious personal injury.
- Safety gear and proper tools must be used. This product should only be installed by professionals.
- Make sure that the supporting surface will safely support the combined weight of the equipment and all attached hardware and components.
- Use the mounting screws provided and DO NOT OVER TIGHTEN mounting screws.
- This product contains small items that could be a choking hazard if swallowed. Keep these items away from children.
- This product is intended for indoor use only. Using this product outdoors could lead to product failure and personal injury.

IMPORTANT:

Ensure that you have received all parts according to the component checklist prior to installation. If any parts are received damaged or defective, please contact us at service@eletabergo.com. We are happy to replace parts to ensure you have a fully functioning product.

PRODUCT LINE GRAPH



Parts

Tools required



N (x1)
4mm Allen
Wrench



O (x1)
5mm Allen
Wrench

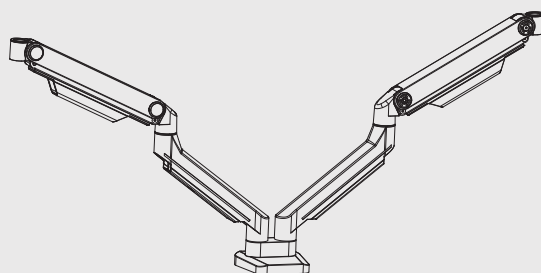


P (x1)
6mm Allen
Wrench



Phillips
Screwdriver
(not included)

Components



A (x1)
Arm



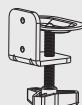
B (x2)
Head



C (x2)
VESA Plate



D (x1)
Clamp Base
Support



E (x1)
Clamp



F (x1)
Cable Clip



G (x1)
Long Screw



H (x1)
Base Support



I (x1)
Support Plate



J (x1)
Knob



K (x5)
Bolt



L (x2)
Bolt



M (x8)
Pad

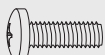
Hardware



M4x12mm (x4)
M-A



M4x16mm (x4)
M-B



M6x12mm (x4)
M-C



M6x16mm (x4)
M-D



D6 (x4)
M-E



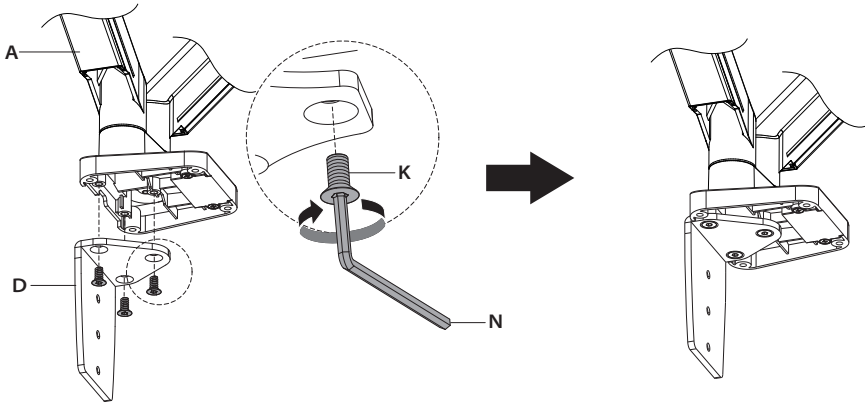
M-F (x4)

x2

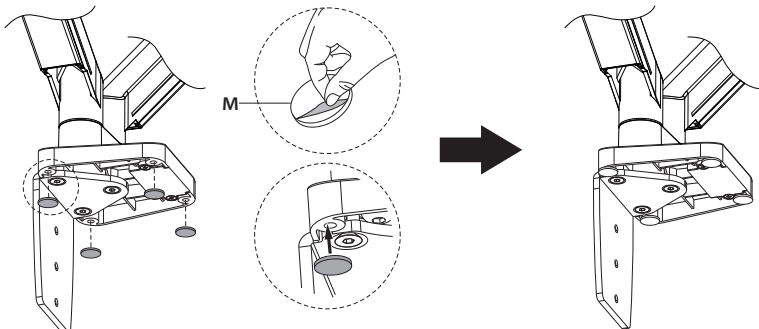
STEP 1 Choose a mounting option

OPTION A: Clamp Installation

Install clamp base support (D) onto base of monitor stand (A) with bolts (K) using provided 4mm Allen wrench (N).

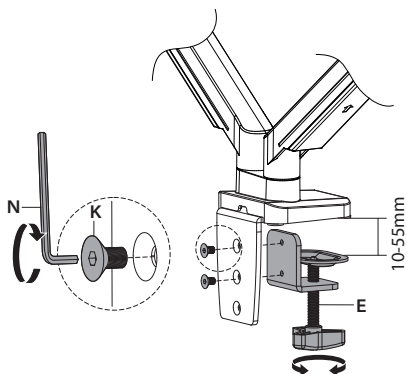


Apply pads (M) to bottom of base to prevent table top from being scratched.



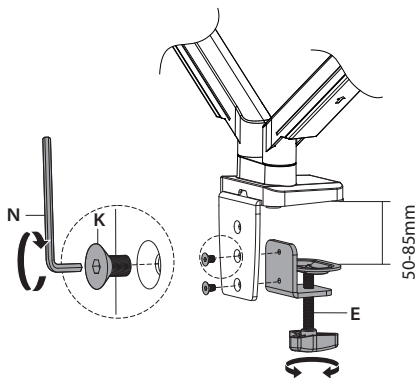
Adjust the Mount to the Desktop Thickness 10-55mm

Secure clamp (E) to upper two holes with bolts (K) using 4mm Allen wrench (N) for desks with a thickness of 10-55mm.

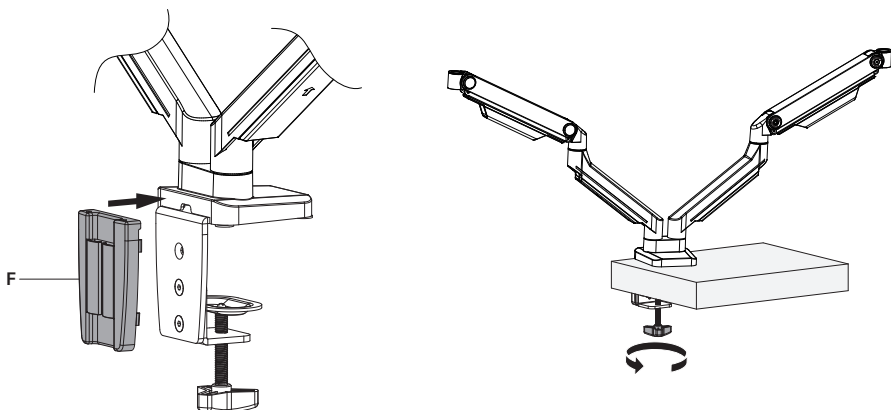


Adjust the Mount to the Desktop Thickness 50-85mm

Secure clamp (E) to lower two holes with bolts (K) using 4mm Allen wrench (N) for desks with a thickness of 50-85mm.



Attach base support cover (F) to clampbase support (D). Tighten the clamp to the desktop using the plastic knob.

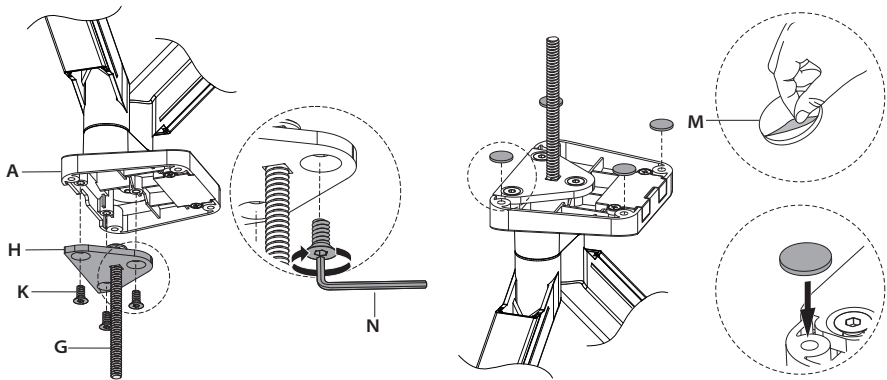


STEP 1 (Continued)

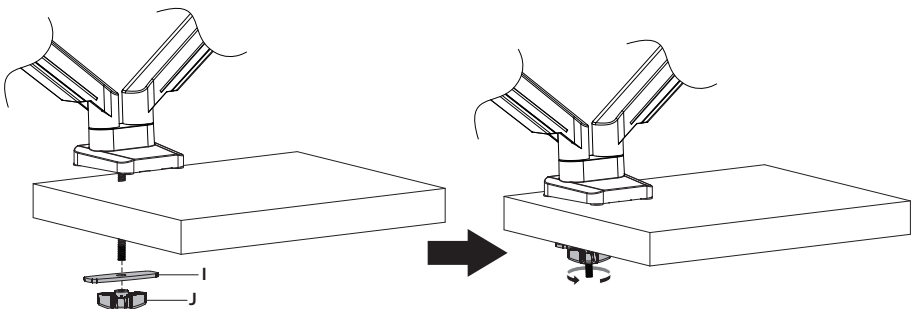
OPTION B: Grommet Base Installation

Slide long screw (G) through the top of the grommet base support (H) and install on base of monitor stand with bolts (K) using 4mm Allen wrench (N).

Apply pads (M) to bottom of base to prevent table top from being scratched.

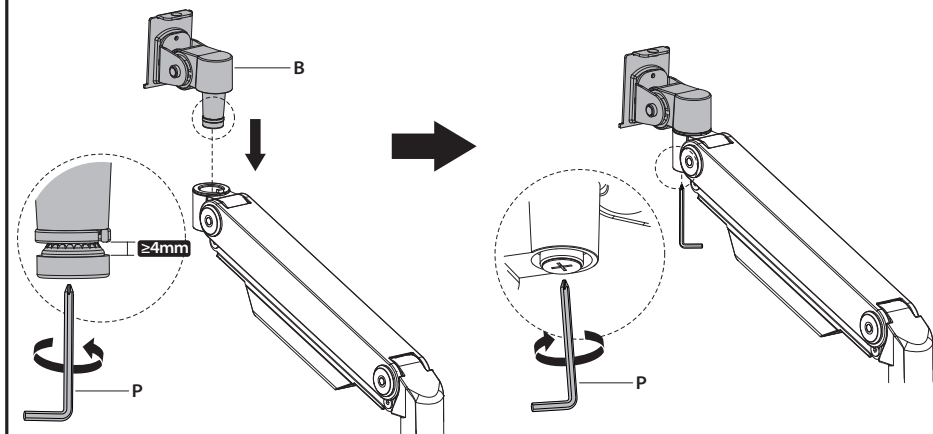


Position stand on desk with long screw through hole, and secure by using the support plate (I) and clamp knob (J) on under side of the mounting surface.



STEP 2 Head attachment process

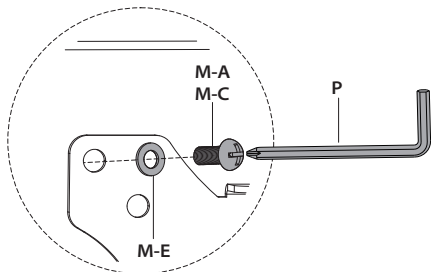
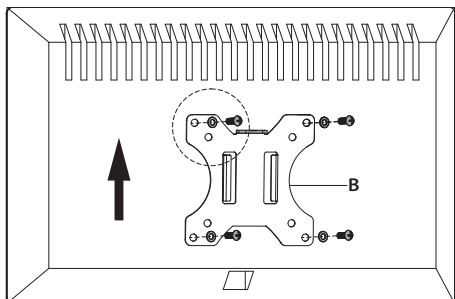
1. Loosen the screw little bit to ensure the distance between two plastic spacers is more than 4mm
2. Attach the Head(B) to monitor arm
3. Tighten the screw to secure



STEP 3 Attach the monitors to the arm

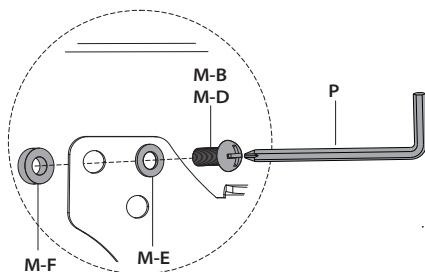
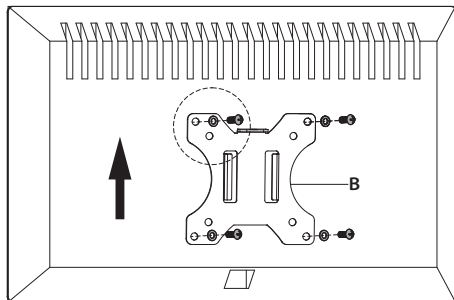
OPTION A: Flat Back Monitor

Attach the VESA plate (B) to back of monitor and secure with screws (M-A) or (M-C) with washers (M-E). Avoid excessive tightening screws damage the monitor.

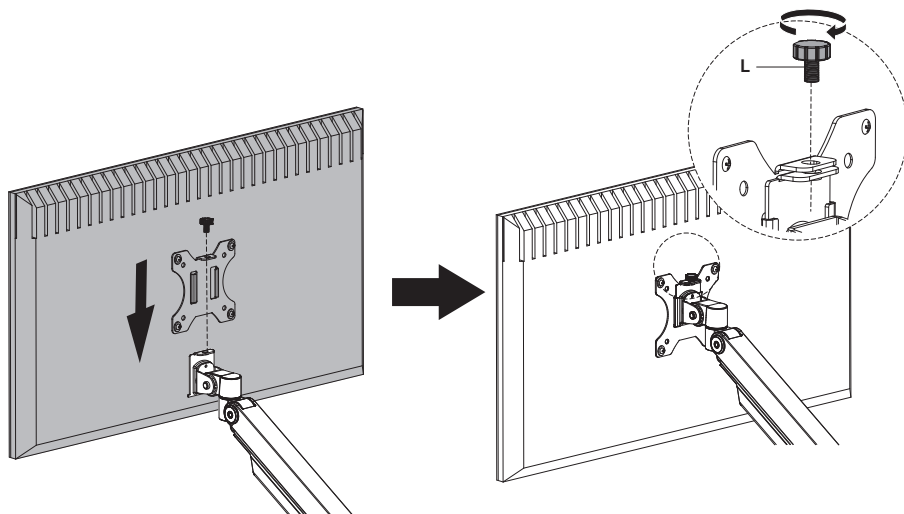


OPTION B: Curved Back Monitor

Attach the VESA plate (B) to back of monitor and secure with screws (M-B) or (M-D) with washers (M-E) and washers(M-F). Avoid excessive tightening screws damage the monitor.



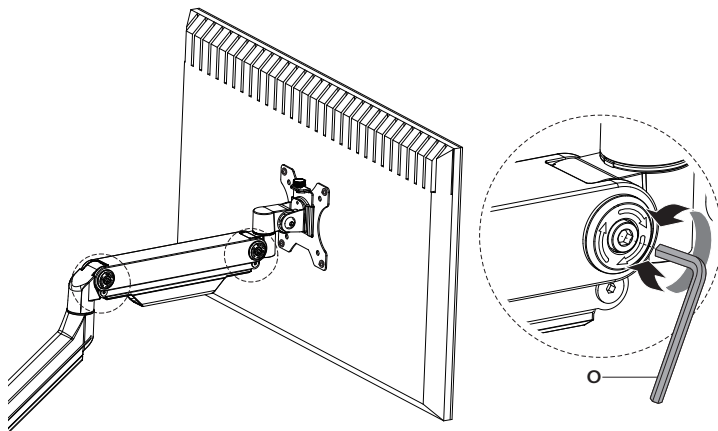
Attach the monitors with VESA to the arm. Use screws (L) to tight them.



STEP 4 Adjust the tension

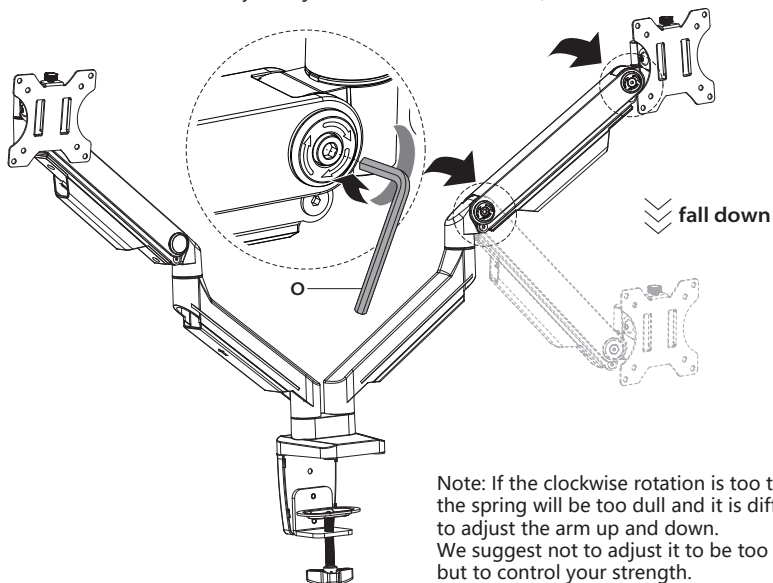
Adjust the spring tension until it supports your monitor to an optimal position.

The initial spring setting will be in a reasonable range, and generally you don't need to adjust the spring tension.



Case 1: Monitor/Arm falls down (after install your monitor)

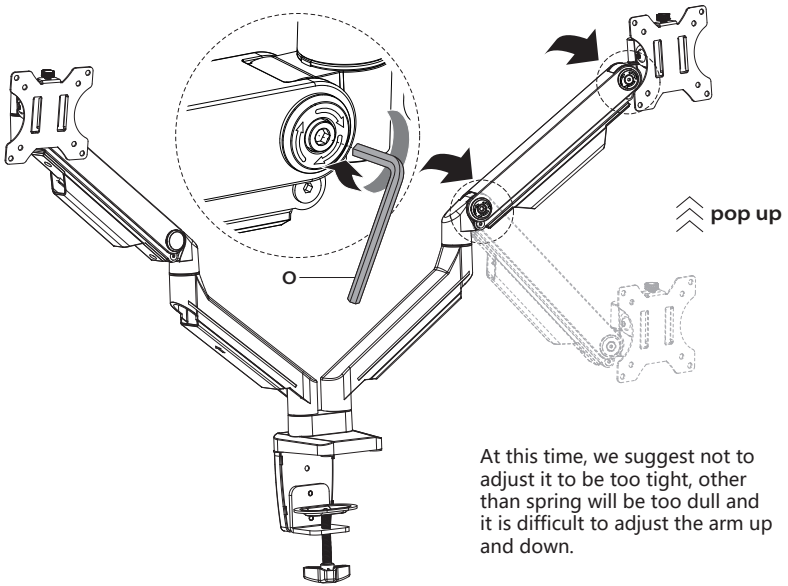
If your monitor is too heavy and causes the monitor to sink, turn clockwise to increase spring tension till it can hold the weight of your monitor. (Press the arm to make it keep it in horizontal position and then use the Allen Key to adjust the screw on the arm.)



Note: If the clockwise rotation is too tight, the spring will be too dull and it is difficult to adjust the arm up and down. We suggest not to adjust it to be too tight, but to control your strength.

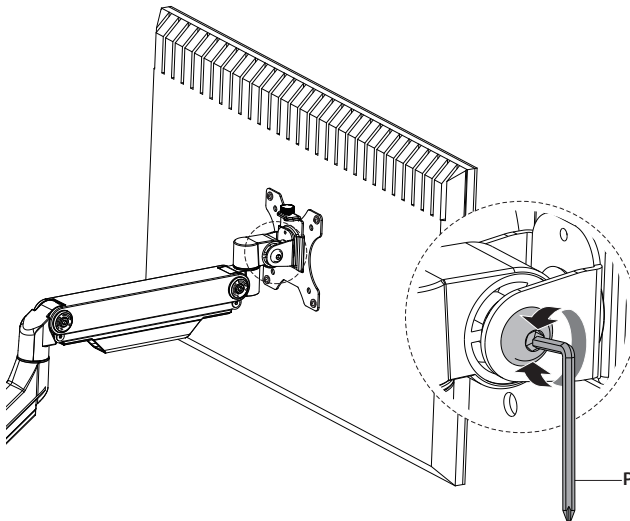
Case 2 : Monitor/Arm pops up (after install your monitor)

If your monitor is too light to pop up, or if you accidentally adjust the tension counterclockwise causing the upper arm to pop up, please adjust the tension clockwise to the appropriate tension!



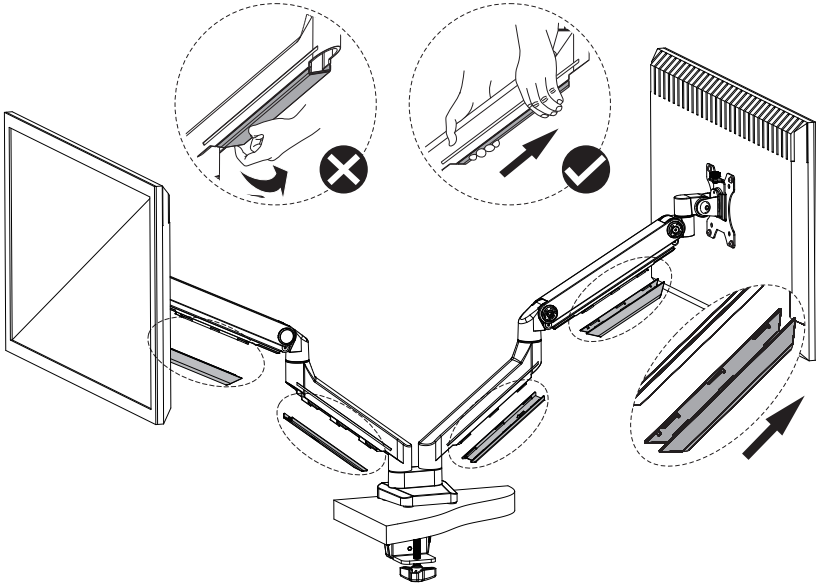
Case 3: Monitor tilt forward

If needed, adjust the bolt on the side of the hinge behind the VESA plate to tighten the tilt angle support.

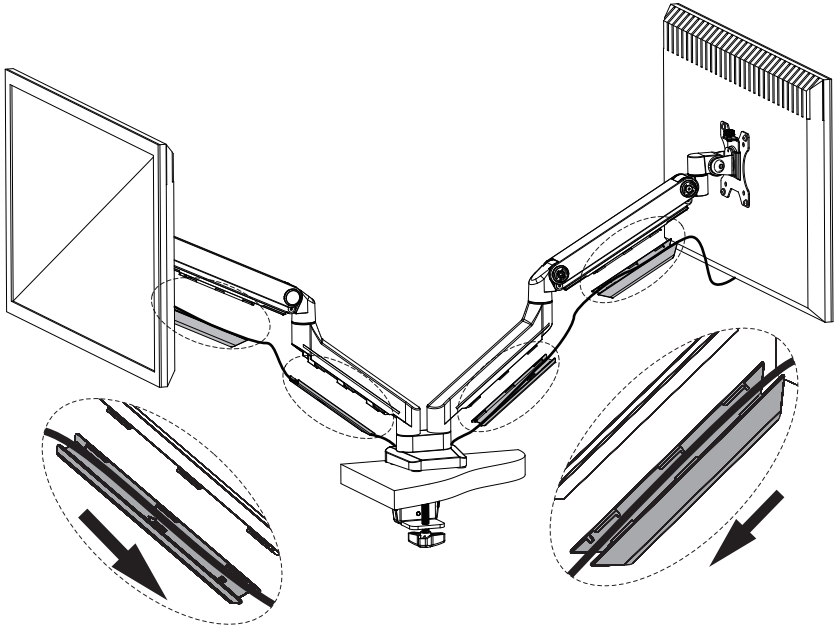


STEP 5 Cable management

Just slide the cable cover up and away from the spring arm, do not need to take much effort to pull the ends of the cable cover away from the spring arm.



Insert the cable and slide the cable cover down to reattach the cable cover.



Welcome to the EleTab family!

Thank you for choosing EleTab products. At EleTab, we truly care about people like you: regular working people who strive every day to chive a goal, and to make what positive influence they can in the world with their lives.

That's why we bring this stand to your life, more health and higher productivity. Whatever it is that leads you to us, we're happy that you're here and we want you to know that we understand one thing: you need a better way to work, a better way to play. Creating an ergonomic work and gaming environment can really make a huge difference.

keeping on winning.
EleTab Team



Feedback



Love it? Hate it?
Let us know with a customer review.

Our aim has been to create a stand that has it all— it's attractive, balanced, affordable, and easy to assemble. Does this item meet your expectations? We encourage you to write a review sharing your experience.

We stand behind our products, and we want you to feel secure knowing that no matter what happens our dedicated support team can offer immediate assistance with rapid response times.



www.eletabergo.com



service@eletabergo.com



www.facebook.com/EleTabus