

SPECIFICATIONS

Electric control part:

Input Voltage:100-240Vac 50/60Hz

Duty cycle:10%MAX 2min on 18min off

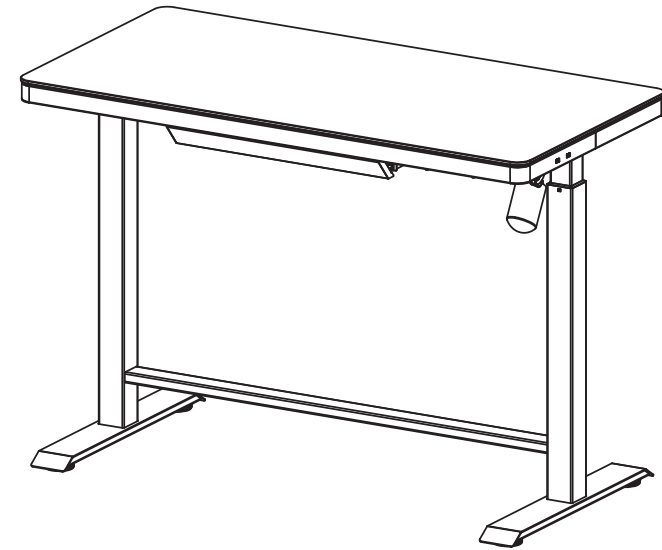
Desk frame part:

Dynamic load:60KG

The maximum static load:80KG

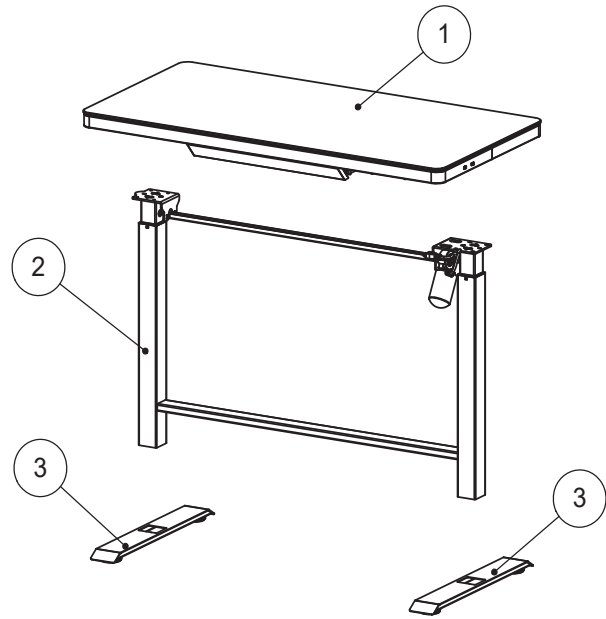
Safety warning

- 1.Please read this manual carefully before use.
- 2.The product must be connected to the correct power supply.
- 3.For any accessories connected to the control box, the plug type and electrical characteristics must conform to its specifications.
- 4.Indoor use only.
- 5.If the transformer's external cable is damaged and need to be replaced,new accessory will be provided by the manufacturer or its service agent.
- 6.This appliance can be used by children aged from 8 years and above and persons with reduced physical, sensory or mental capabilities or lack of experience and knowledge if they have been given supervision or instruction concerning use of the appliance in a safe way and understand the hazards involved.
- 7.Children shall not play with the appliance.
- 8.Cleaning and user maintenance shall not be made by children without supervision.

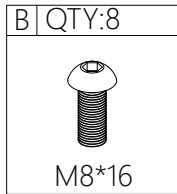
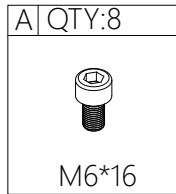


A3GS Assembly Instruction

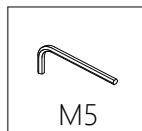
INSTALLATION INSTRUCTION



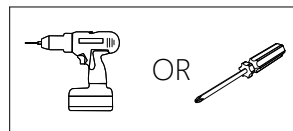
HARDWARE INCLUDED



TOOLS INCLUDED



TOOLS REQUIRED



DIRECTIONS FOR USE

Advanced Function Settings

Limited height setting: Press "↑" and "⊙" key for 5 seconds till heard a bee sound, limited height setting success.

(minimum limited height < 96, maximum limited height > 97).

Cancel the function, run to the limit height, press "↑" and "⊙" again for 5 seconds, hear the buzzer sound, limited height Cancel.

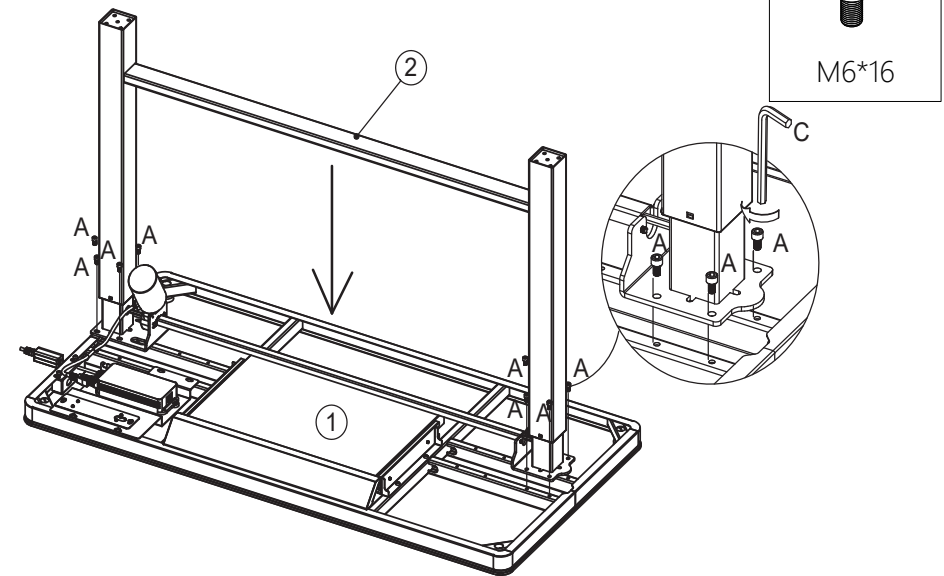
Pressing "⊙" key for 5 second till digital screen display "S-1", press "↑" or "↓" key to choose

S-1 Metric and Inch exchange	Click "⊙" Key	↑ 0 Metric ↓ 1 Inch
S-2 anti collision sensitivity (sensing element)	Click "⊙" Key	↑ 0 shut down ↓ 1 The most insensitive 8 The most sensitive
S-3 up anti collision sensitivity (Current detection)	Click "⊙" Key	↑ 0 shut down ↓ 1 The most insensitive 8 The most sensitive
S-4 down anti collision sensitivity(Current detection)	Click "⊙" Key	↑ 0 shut down ↓ 1 The most insensitive 8 The most sensitive
S-5 Basement height	Click "⊙" Key	Use ↑ or ↓ adjust the basement height
S-6 Memory key operation	Click "⊙" Key	↑ 0 Long pressing desk running, hands off desk stop running ↓ 1 Click desk running, second click to stop running
S-7 Overheat protection	Click "⊙" Key	↑ 0 shut down ↓ 1 Turn on(Continuous operation for two minutes, error HOT)
S-8 Desktop tilt angle setting (Over the set value, error E08)	Click "⊙" Key	↑ 0 shut down ↓ 1 0.5° 2 1.0° 3 1.5° 4 2.0° 5 2.5° 6 3.0° 7 3.5° 8 4.0°

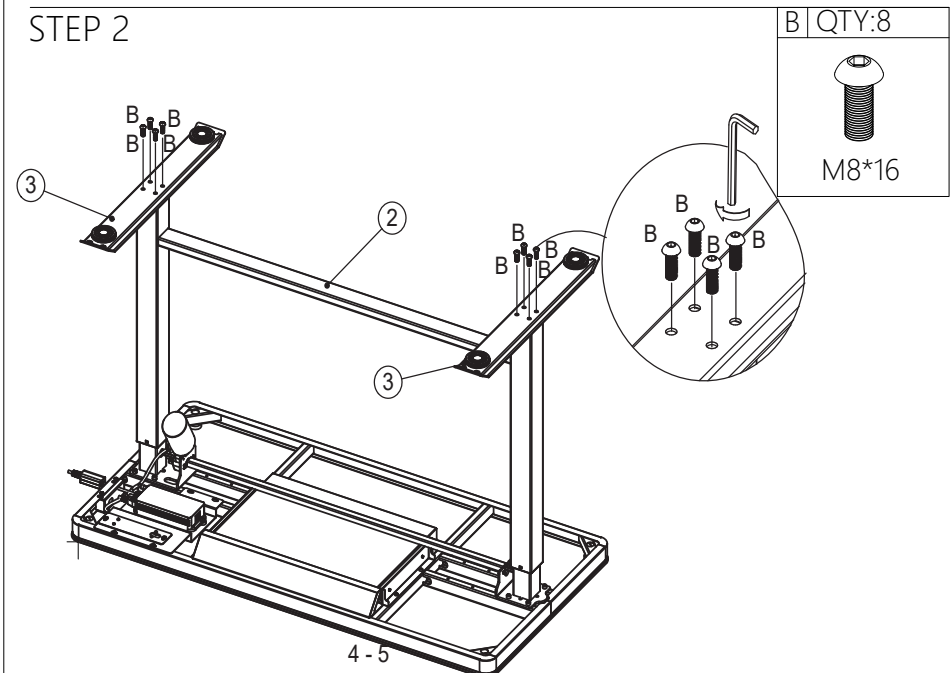
Click "⊙" key to back,
setting success

INSTALLATION INSTRUCTION

STEP 1



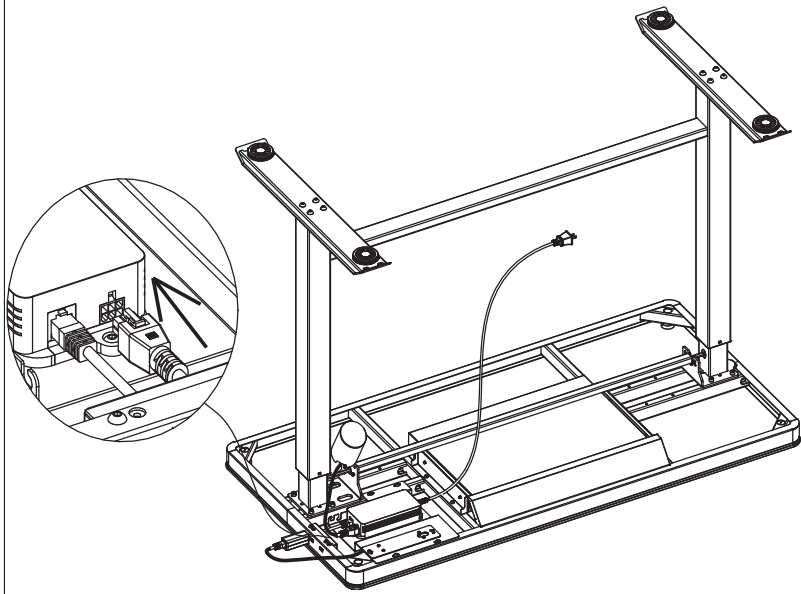
STEP 2



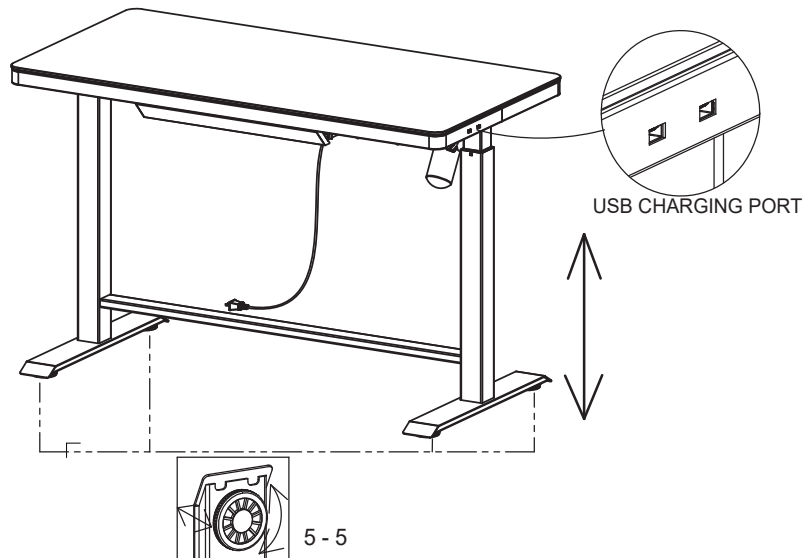
4-5

INSTALLATION INSTRUCTION

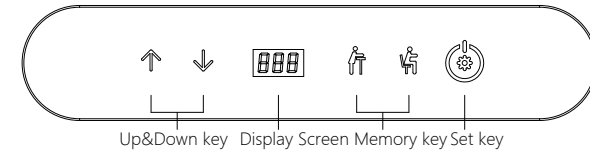
STEP 3



STEP 4



DIRECTIONS FOR USE



The whole handset surface is a touch panel. If there is no touch within 30 seconds, the screen is locked and all keys are locked correspondingly. When a key is pressed when locked, the display screen displays "Loc". You can touch "⚙️" keys for 3S to unlock screen.

■ Display Screen

Display the height value of the desk.

■ Up & Down Keys

Please keep pressing UP/DOWN key to adjust desk height until you get an optimum height.

■ Memory Key(人/椅)

After setting memory keys, the desk can lift automatically to memory height.

※ How to set memory mode

Click the "⚙️" key when running to a specific point. The display screen displays "S-" and "-" flashes. At this time, press "人/椅" button to store the position to the corresponding label. the memory height is successfully saved, Then light press "人/椅", the desk moves to memory height automatically.

■ Set Key(⚙️)

Press the "⚙️" key when memory bits and internal parameters need to be set.

■ Initialization

1. When "RST" is on the display screen, press the "↓" button until the desk frame reaches its lowest point. After hearing the "di" sound and desk frame rebounds, initialization is completed.

(PS. The button cannot be released during this operation, otherwise the initialization will fail)

2. Forced initialization: Press the "↓" button until the desk frame reaches its lowest point, then release the button and press it again for about 5 seconds until hear the "di" sound and desk frame rebound, and the initialization is completed.

3. Restore the factory settings: When new controller is changed or the parameters need to be restored to the factory settings, press the "↑" and "⚙️" buttons simultaneously, you will hear the first "di" sound after about 5 seconds and second "di" sound after 10 seconds. When the display screen shows "RST", please operate refer to the No.1 item.

■ Safety Function

When the desktop is on the rise or down, encountered reverse resistance, the desk will rebound.

■ Handset shows error code and solution

Error code	Fault cause	Solution
E01,E06,E07	power fault	change power
E02	nsynchronous height over 1cm	Implement the initialization operation 1
E04	handset fault	Unplug and replug the cable of hand set
E05	Anticollision alert	Rebound reminder , normal condition
E08	desktop sloping	check the desktop
E11,E21,E40,E41	Connection cable failure	Check the connecting cable
E12,E22,E42,E43	controller fault	Exchange the controller
E14~E17,E24~E27	motor fault	change motor
E18,E28	overloading	reduce the loading
HOT	overtime operation	Automatic recovery after stop using for 20 minutes