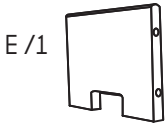
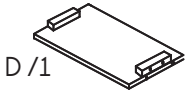
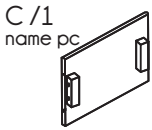
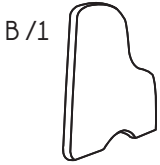
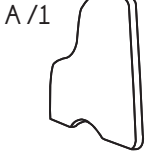


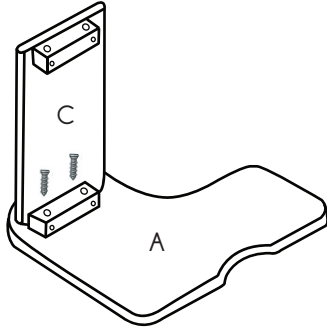
Wood Fixed Stool Assembly Instructions

SKU #FIXE - Batch #May 2019

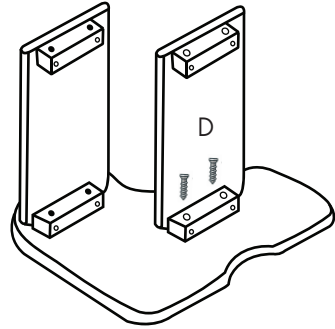
Parts/Qty



Step 1

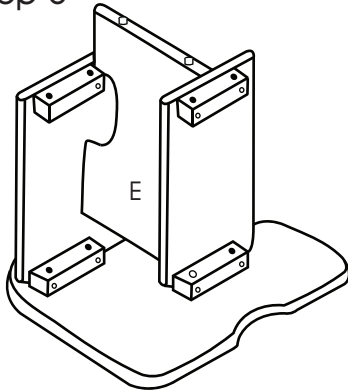


Step 2

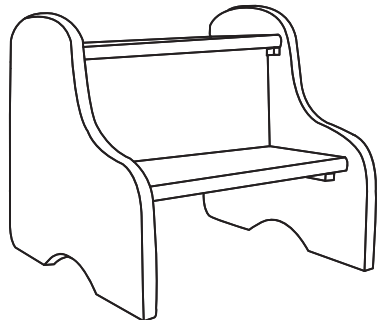
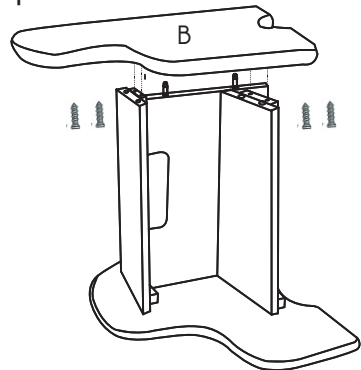


Throughout the assembly process place stool on flat surface loosen/tighten screws accordingly to assure the stool is stable and does not wobble.

Step 3



Step 4



CAUTION

Adult Assembly Required

Unassembled components may contain small parts & sharp points or edges that can be choking or cutting hazards to children