

# BrewerAccess

## EXAM TABLE

### **Model 5000/5001**



<i>Important Information</i> .....	2	<i>Operation</i> .....	8
<i>Safety Information</i> .....	3	<i>Table adjustments</i> .....	11
<i>Component Identification</i> .....	3	<i>Maintenance</i> .....	15
<i>Specifications</i> .....	4	<i>Accessories</i> .....	15
<i>Installation</i> .....	5	<i>Service</i> .....	16
		<i>Warranty</i> .....	16

The Brewer Company, LLC  
N88 W13901 Main Street, Suite 100  
Menomonee Falls, WI 53051  
P 1.888.Brewer.1  
F 262.251.2332  
[www.brewercompany.com](http://www.brewercompany.com)

## IMPORTANT INFORMATION

### General

The Model 5000/5001 Brewer Access Examination Table is designed to provide positioning and support of patients during general examinations conducted by qualified medical professionals. Read and understand all safety information, operating instructions, and maintenance requirements contained in this manual prior to operating the table. Become familiar with all of the table functions before using it with a patient.

The Model 5000/5001 is primarily used in examination rooms for general examinations and minor procedures. A wide variety of positions are provided by a manually adjustable table top, adjustable leg support, stirrups, and treatment pan. Adjustable positioning creates a safe and convenient patient table for general examinations and procedures performed in a doctor's office.

The exam table is constructed of sheet metal, welded for strength and longevity. With the use of release handles located on either side of the exam table, a pneumatically assisted manual backrest is fully adjustable from a horizontal position to a chair position. An adjustable leg support has a removable pad that covers an autoclavable plastic treatment pan.

The table top and leg support can be covered by paper from an easily accessible paper roll holder located at the head of the table top. The stirrups can be extended horizontally to any position up to 16" (406 cm) and to four lateral positions.

Easy access on and off the exam table is provided by a large non-skid surfaced step, which is fully retractable. Four storage drawers with molded hand pulls provide maximum storage. Two of these storage drawers are accessible from either side of the table. The Model 5001 comes equipped with a drawer warmer and a pelvic tilt bar.

### Service

If you require assistance with the installation or operation of your Brewer Table, call the Brewer Customer Service Department at **(1-888-Brewer1)**. Our trained staff will attempt to assist you in correcting the problem directly over the phone. If service is required, a factory authorized technician will be sent to your location.

Please fill in the following information for use when calling The Brewer Company or your distributor with questions regarding your unit. See Figure 1 for model and serial number location.

Date of Purchase \_\_\_\_\_

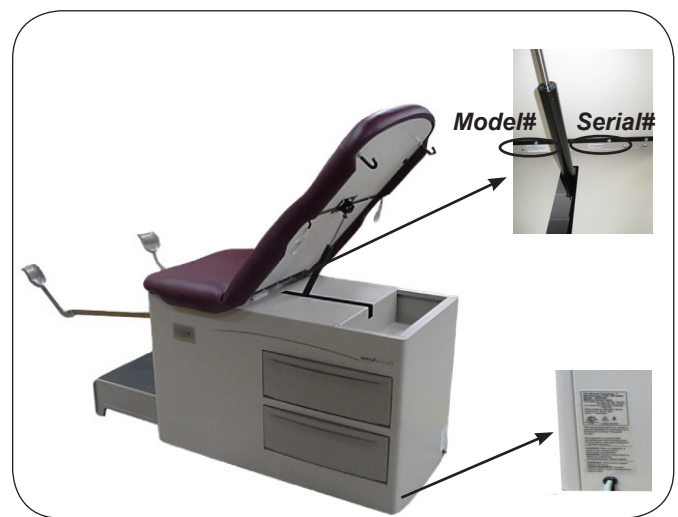
Serial Number \_\_\_\_\_

Model Number \_\_\_\_\_

Authorized Dealer Name \_\_\_\_\_

Dealer Phone Number \_\_\_\_\_

Dealer Address \_\_\_\_\_



**Figure 1. Model Number, Serial Number and Rating Label Locations**

**SAFETY INFORMATION**

**Safety Information**

The primary concern of The Brewer Company is that the equipment is operated and maintained with the safety of the patient and healthcare staff in mind. To ensure safe and reliable operation:

- Read and understand all instructions in this manual before attempting to install or operate the unit.
- Ensure that appropriate personnel are informed on the manual contents. This is the responsibility of the purchaser.
- Ensure that this manual is located near the table, or if possible permanently affixed to the table.



This is the safety alert symbol. It is used to alert you to potential physical injury hazards. Obey all safety messages that follow this symbol to avoid possible injury or death.



**DANGER** Indicates a hazardous situation that, if not avoided, will result in death or serious injury.



**WARNING** indicates a hazardous situation which, if not avoided, could result in death or serious injury.



**CAUTION** indicates a hazardous situation which, if not avoided, could result in minor or moderate injury.

**COMPONENT IDENTIFICATION**

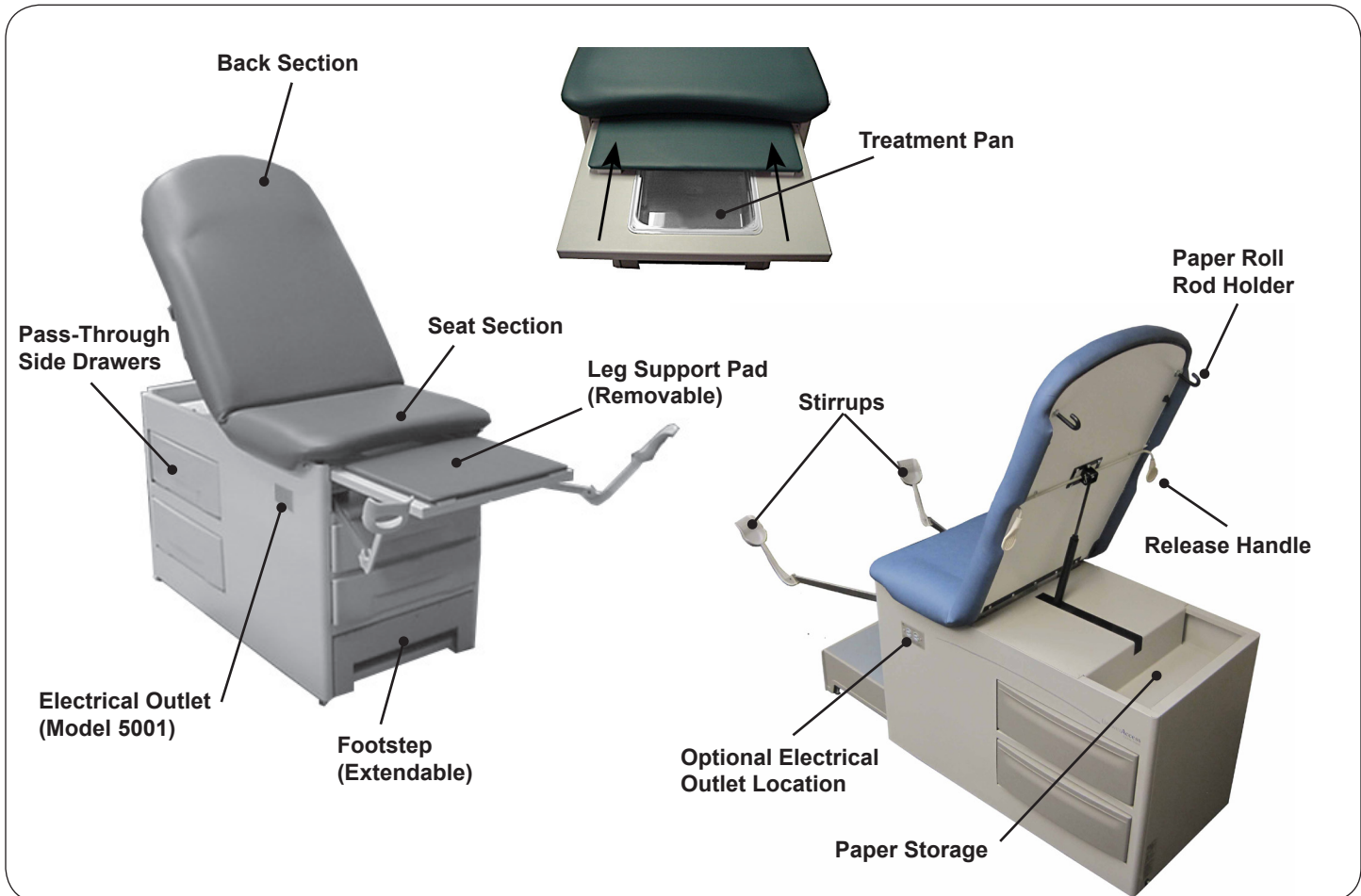


Figure 2. Component Overview

**SPECIFICATIONS**

**Weight of Table** .....220 lbs.  
 • With carton and skid.....265 lbs.  
**Table Weight Capacity** .....500 lbs.  
**Stirrup Extension (maximum)** ..... 16 in.  
**Stirrup Lateral Positions**.....4 Lateral Positions  
**Leg Support Extension (maximum)**..... 15 in.  
**Dimensions**  
 • Upholstered Top .....28.0 in. wide x 57.3 in. long  
 • With Leg Support Fully Extended..... 71.0 in.  
 • Seat Height ..... 32 in to top of upholstered seat at foot  
 • Step..... 7.2 in. high x 20.38 in. wide x 11 in. long  
**Step Capacity**.....500 lbs.  
**Base**..... 28.2 in. high x 23.25 in. wide x 46.0 in. long  
**Transportation and Storage**  
 Temperature ..... 18°F to 176°F  
 Humidity.....-10% to 90%

**Operation**  
 Temperature ..... 50°F to 104°F  
 Humidity.....30% to 75%

**Electrical Requirements**  
 ..... 120 VAC nominal, 60 Hz, 3 amps maximum  
 ..... including maximum 2 amp accessory outlet

**Fuse rating** .....3 Amp/250V P/N 102007

**Power Cord** ..... Extends 78 in. (Minimum) from table 3 conductor, 120VAC. With hospital grade plug

**Type of protection against electrical shock**..... Class 1

**Type of protection against electrical shock**..... B applied parts

**Type of protection against ingress of water**..... Ordinary

**Can accept paper rolls of**..... 21 in. x 3.5 in. dia.

**Certifications\***.....UL60601-1;CAN-CSA C22.2 No. 601.1

**Pelvic Tilt**.....5° Rise

**Drawer Warmer** ..... 120 VAC, 65 watts, 0.5 amps



\*Classified in the United States and Canada per the standards listed above.

<b>WARNING</b>	
	<p><b>Explosion/Fire Hazard</b></p> <p>Do not use this table in an explosive or oxygen rich atmosphere. Failure to do so may result in serious personal injury or death.</p>

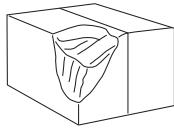
<b>WARNING</b>	
	<p><b>Shock Hazard</b></p> <p>When performing cauterization or similar treatment, the patient must be insulated from the metal portions of the table by non-conductive material. Failure to do so may result in electrical shock.</p>

<b>NOTICE</b>
<p><b>Certifications</b></p> <p>This product has been evaluated with respect to electrical shock, fire, and mechanical hazards only in accordance with UL60601-1; CAN/CSA C22.2 No. 601.1</p>

<b>NOTICE</b>
<p><b>Electromagnetic Interference (EMI)</b></p> <p>This product is designed and built to minimize electromagnetic interference with other devices; however, if interference is noticed between another device and this product, remove the interfering device from the room or plug this product into an isolated circuit.</p>

**INSTALLATION**

**NOTICE**



**Inspect Carton and Contents**

Inspect all boxes and contents for damage. Report any damage to the carrier immediately.

**NOTICE**



**No Sharp Tools**

To avoid damaging the table's upholstery or painted surfaces, DO NOT use a knife or other sharp object to open the packaging.

**Overview**

Perform the following sequence in order when setting up the table:

- Uncrating the Table
- Leveling the Table
- Installing the Paper Rod

**Tools Required**

- 1/2" socket wrench
- Pliers

**NOTICE**

**Optimum Table Performance**

For optimum table performance, allow the table to reach room temperature before operating.

**Uncrating**

1. Carefully remove outer carton by removing the staples along the bottom of the carton and lift off table.
2. Unbolt the table from the shipping pallet by removing the 4 bolt screws from the pallet with a 1/2" socket wrench and remove the shipping bracket. See Figure 3.

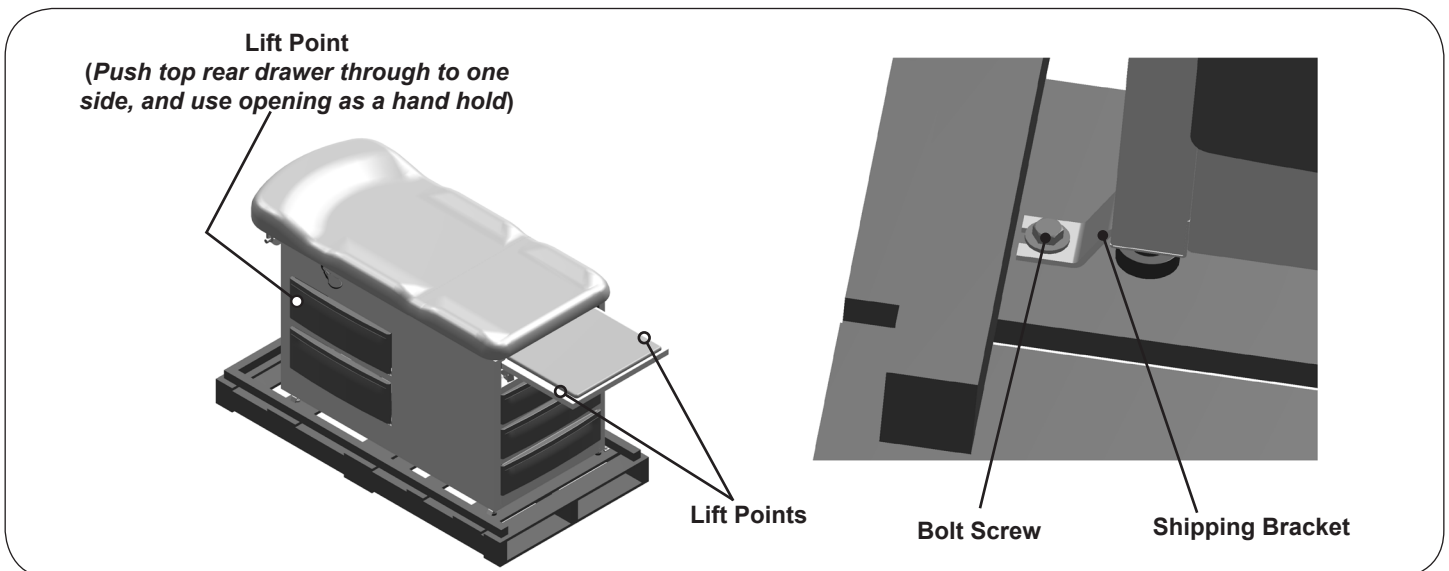


Figure 3. Table Lift Points

**INSTALLATION (CONTINUED)**

3. Remove the table from the shipping pallet lifting at the correct lift points indicated in Figure 3. The leg support may be used for lifting.

**NOTICE**  
Table weighs approximately 315 lbs.

**NOTICE**  
**AVOID HANDLING DAMAGE**

- To avoid damaging the table lift only at points indicated in Figure 3.
- Do Not use stirrup or stirrup beams for lifting table.

4. Position the table in the desired room location.  
5. Remove plastic surrounding table. DO NOT use a knife or any sharp object that could damage the upholstery.

**Leveling the Table**

A leveling screw pad is located at each corner under the table's base (see Figure 4). Adjust the four leveling pads, by turning them up or down, using Method 1 or Method 2 to achieve a solid, level installation. Test step by pulling out. If step drags on floor or is difficult to pull out, adjust the front table levelers (not the step levelers) out 1 turn at a time until step pulls out easily.

**Method 1** - Raise corner of table using a pry bar on a wooden block. Insert another wooden block under corner. Adjust leveler, and remove corner block.

**Method 2** - One or two people raise the front end of the table by pulled out leg support. Rear of table can be raised by pushing the top rear pass-through drawer to one side and using the drawer opening as a hand hold.

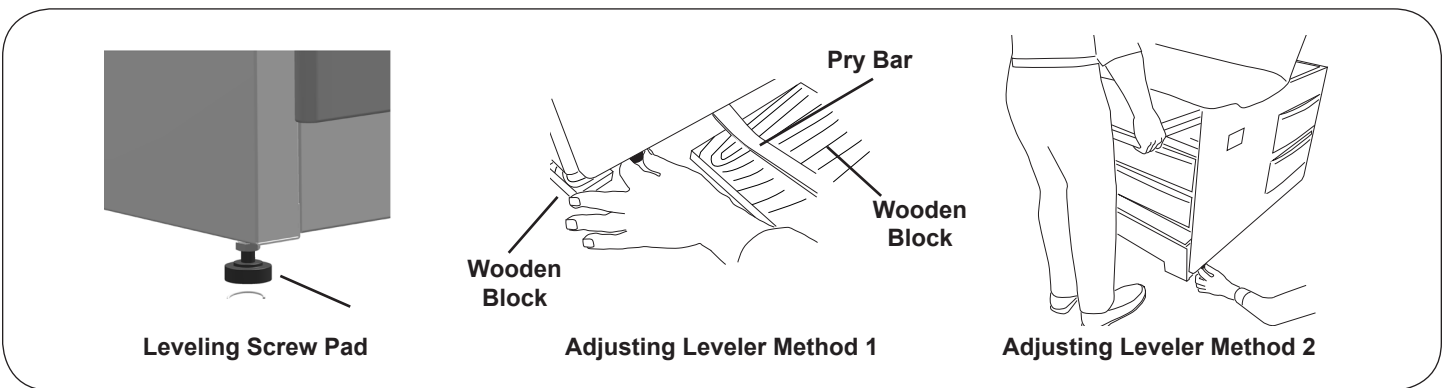


Figure 4. Leveling Screw Pad (located under table)



**INSTALLATION (CONTINUED)**

**Installing the Paper Rod**

A dowel rod for supporting a paper roll is shipped with each table.

1. Slide the dowel rod through the paper roll (see Figure 5).
2. Place one end of the dowel rod on one of the paper roll brackets, located on the rear side of the table's back section.
3. Slide the unattached side of the dowel rod over the top of the other paper roll bracket.
4. Ensure a secure fit before using paper roll dispenser.

Note: Additional paper role storage is located beneath the backrest at the rear of the table. See Figure 2.

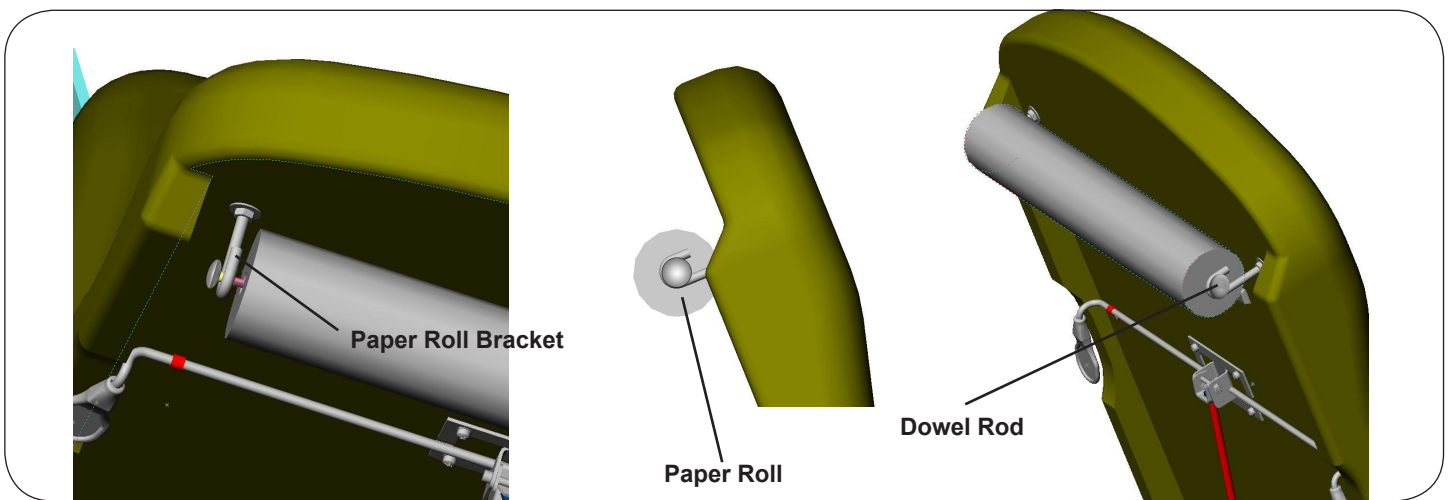


Figure 5. Paper Roll Installation

**Plug Table into Wall Receptacle (Model 5001 Only)**

1. Plug the male end of the power cord into a 115 volt grounded receptacle.

<b>NOTICE</b>	
<b>Confirm Voltage and Plug Type</b>	
See Specifications Page for electrical rating of this unit. The three-pronged grounding plug on the table power cord must be plugged into a matching three-pronged, grounded, non-isolated, correctly polarized 115 VAC receptacle.	

<b>WARNING</b>	
	<p><b>Shock Hazard</b></p> <p>After installing or moving table, make sure there are no damaged or exposed wires that could result in electrical shock.</p>

**OPERATION**

**Leg Support**

The leg support is located under the seat cushion (Figure 6). It can be extended 15" for the patient prone position. Pull leg support out to the desired position. The leg support pad will extend along with the leg support. To return the leg support to its stored position simply push the leg support in.

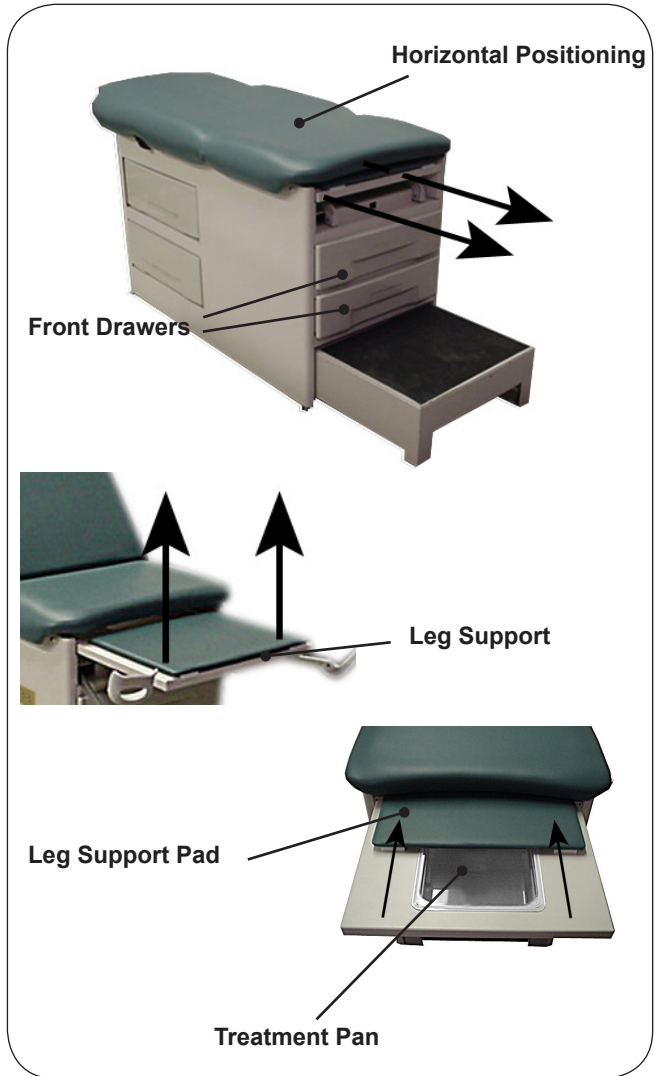


Figure 6. Leg Support and Treatment Pan

<b>WARNING</b>	
	<p style="text-align: center;"><b>Fall Hazard</b></p> <p>The leg support is not intended for use as a seat. Sitting on leg support could cause it to retract, bend, or cause the table to tip forward, creating a fall hazard leading to serious injury.</p>

**Leg Support Pad**

The leg support pad can be slid beneath the seat with the leg support extended for easy access to the treatment pan (Figure 6). Pushing the leg support back in will allow the glides on the pad to drop into slots. The pad will once again come out with the leg support the next time it is pulled out.

**Treatment Pan**

A removable treatment pan is built-in underneath the leg support pad for use during examinations (Figure 6). Pull the leg support fully out and remove the leg support pad or slide it back under the seat to access the pan. Remove the treatment pan for cleaning.

**Front Drawers**

Storage drawers for supplies are located at the front of the table (Figure 6). Model 5001 is equipped with a drawer warmer located above the top drawer that is turned on by a switch located above the drawer (Figure 7).



Figure 7. Heater On/Off Switch





**OPERATION (CONTINUED)**

**Footstep**

1. Place hand into opening in front of step and gently lift while fully extending footstep (Figure 8).
2. To retract step to stowed position, gently lift while pushing step fully back into cabinet.



Figure 8. Operation of Footstep

 <b>WARNING</b>	
	<p style="text-align: center;"><b>Fall Hazard</b></p> <p>Fully extend footstep to provide ample area for the patient to stand on. Failure to fully extend footstep could result in a fall causing serious injury.</p>

**OPERATION (CONTINUED)**

**Adjustable Stirrups**  
**Operating the Stirrups**

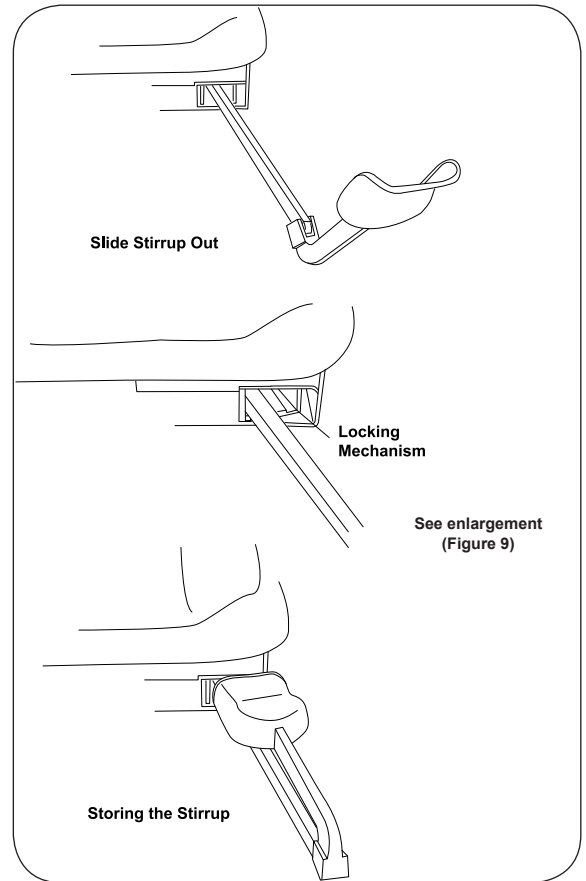
1. To operate the stirrups, grasp end of stirrup and pull straight out of the table (Figure 9). Lift up slightly while sliding the stirrup out.

*NOTE: Applying downward pressure when pulling stirrup from table may make it difficult to move. Resistance is normal and is part of the stirrup friction locking mechanism.*

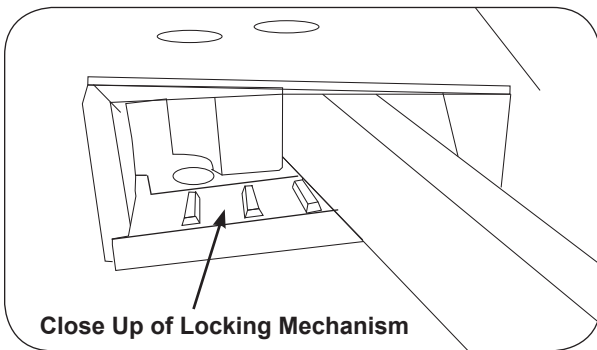
2. Unfold stirrup upward to the fully open position.
3. Adjust the stirrup to the desired length by sliding it in or out.

**Stirrup Lateral Adjustment**

1. Lift end of stirrup slightly and then rotate outward to desired position.
2. When the desired position is achieved, lower the stirrup to engage the lateral locking mechanism (Figures 9 and 10).
3. Check that lateral locking mechanism is engaged by attempting to move stirrup assembly side-to-side without lifting on the stirrup end.



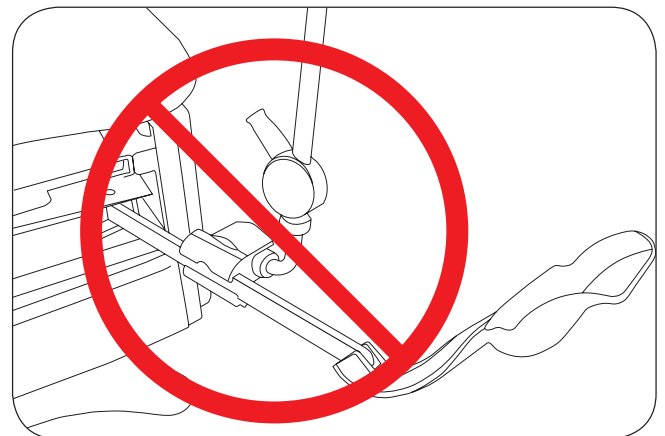
**Figure 9. Stirrups**



**Figure 10. Stirrup Locking Mechanism**

**Storing the Stirrups**

1. To store the stirrups in the table, grasp end of stirrup and pull straight out to its full extension.
2. Fold stirrup down against bar, then rotate it to the inner most lateral position and slide it back into the stowed position.



**Figure 11. Affix No Attachments!**

**NOTICE**

**Use Stirrup Only as Designed**  
Do not use any part of the stirrup for attachment of any device (Figure 11). Warranty will be voided.

**TABLE ADJUSTMENTS**

**Patient Positioning**

The table is designed to accommodate the following examination positions (Figure 12):

- Full Flat Table Position
- Chair Position
- Lithotomy (Pelvic) Position



**Figure 12. Patient Positioning**

**TABLE ADJUSTMENTS (CONTINUED)**

**Back Section**

1. Press and hold the release handle, lift back section upward to raise (Figure 13). Releasing the handle will automatically lock the table in the desired position.
2. While actuating the release handle upwards, push down on the back section to lower it.



**Figure 13. Operation of Upholstered Back Section**

<b>CAUTION</b>	
	<p><b>Backrest Lowering Hazard</b>                      Depressing the manual backrest release handle while a patient is seated on the table can cause the backrest to lower rapidly. Lower the backrest in increments by depressing and releasing the handle. Allowing the backrest to lower in a single motion could cause injury to the patient.</p>

**TABLE ADJUSTMENTS (CONTINUED)****Pelvic Tilt  
(Model 5001 Only)**

The pelvic tilt feature sets the seat angle at 0° (horizontal) or 5° (up) position.

Raising the seat section to the Pelvic Tilt Position:

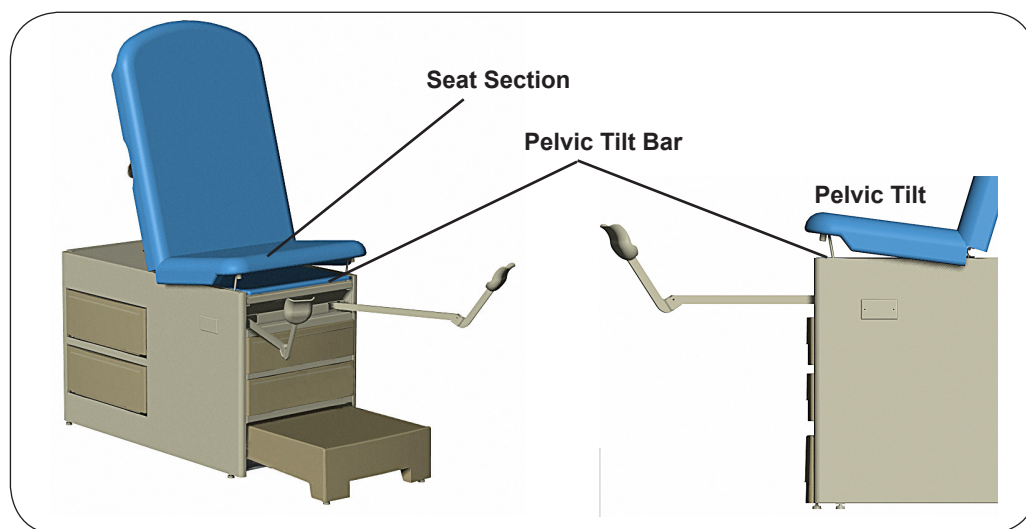
1. Raise the front edge of the seat section (Figure 14). Rotate the pelvic tilt support bar upward to its full upright position.
2. Lower the seat section onto the pelvic tilt support bar.

Lowering the seat section back to the Normal Position:

1. Slightly raise the front edge of the seat section.
2. Rotate the pelvic tilt support bar downward and lower the seat section into its prone position.

**NOTICE****Lowering the Pelvic Tilt Mechanism**

Patient must be removed from table prior to lowering the pelvic tilt mechanism.



*Figure 14. Pelvic Tilt Support Bar*

**TABLE ADJUSTMENTS (CONTINUED)**

**Drawer Warmer  
(Model 5001 Only)**

The drawer warmer warms the contents of the top drawer on the foot end of the table.

To operate the warmer, turn the warmer power switch to the ON or “illuminated” position (Figure 15). The switch will illuminate to indicate that the warmer is operating.

To turn the warmer off, turn the warmer power switch to the OFF or “non-illuminated” position.

**NOTE:** The warmer element is located above the drawer and applies radiant heat to the drawer contents. Items closer to the element will be warmer than items at the bottom of the drawer. Avoid stacking instruments or allowing instruments to tip and contact the element.



**Figure 15. Drawer Warmer Switch**

**NOTICE**

**Proper Loading of the Front Drawer**  
Do not stack instruments in the front drawer. Place instruments in one layer in the bottom of the drawer.

**Electrical Outlet  
(Model 5001 Only)**

Model 5001 is equipped with an electrical outlet located on the right hand side of the table (Figure 16). The maximum total load that can be plugged into the outlet is 2 amps.

**NOTICE**

**Maximum Outlet Rating**  
Plugging a device into the outlet on the side of the table with rating higher than 2 amps may cause the fuse at the back of the table to blow.



**Figure 16. Table Outlet**



**MAINTENANCE**

**Preventative Maintenance**

**NOTICE**

**Loose Fasteners and Damaged Components**

Failure to perform periodic inspections of the table could result in equipment damage.

- Inspect table every 6 months.
- Periodically inspect the electrical cord to ensure it is free of cuts or damage.
- Inspect the mechanical functions to ensure satisfactory operation.
- Check fasteners to make sure they are present and tightened securely.
- Lubricate moving parts (such as back hinge) with a food grade silicon lubricant. Cover surrounding area to protect from overspray. Wipe away excess lubricant.

**NOTICE**

**Table Malfunction**

If table malfunctions, immediately remove your foot from the controls, unplug the power cord from the receptacle, and assist the patient from the table. Service the table prior to use.

**Table Care**

**NOTICE**

**Wipe Spills Immediately!**

The upholstery material is resistant to most medicinal type stains, but may be damaged by solvents and dyes. Remove any spilled fluids from the upholstery immediately.

For the latest in Cleaning Guidelines visit:  
[www.brewercompany.com](http://www.brewercompany.com)

**ACCESSORIES**

Listed below are the accessories which are authorized for use with this table.

Description	Order No.	Use/Restrictions
Front Drawer Organizer	100407	Intended Use - Optional front drawer dividers for separation and organization.
Urology Tray w/Hose & Bucket	100253	Intended Use - Conveniently and safely disposes of and captures fluids during urology procedures.
Stainless Steel Treatment Pan	98464	Intended Use - Optional stainless steel treatment pan for replacement of standard plastic treatment pan.
Welch Allyn IV Light Bracket (customer installed)	102023	Intended Use - For mounting of Welch Allyn IV light

## SERVICE

### WARNING



#### Shock Hazard

Disconnect power by removing plug from wall receptacle before servicing table.

### Fuse Replacement (Model 5001 Only)

1. Unplug table from wall receptacle.
2. Push bottom rear drawer to the left to access fuse assembly (Figure 17).
3. Push the fuse holder cap in with a flat screwdriver (Figure 18).
4. Rotate 1/4 turn counterclockwise to remove cap and fuse (Figure 19).
5. Replace fuse with Brewer 102007, 3A 250V fuse.
6. Push fuse into cap.
7. Push cap with fuse into fuse holder and rotate 1/4 turn clockwise to install.
8. Plug table into wall receptacle.
9. Check drawer warmer and outlet for proper function.



**Figure 17. Bottom Drawer Moved to Show Fuse Location**



**Figure 18. Fuse Holder Cap**



**Figure 19. Fuse Removal**

## WARRANTY

### For Brewer Warranty Information:

Visit [www.brewercompany.com](http://www.brewercompany.com) or contact the Brewer Customer Service Department at (1-888-Brewer1).