

SURGICAL TABLES OPERATORS MANUAL



MODEL 6600 INCLUDING BATTERY MODELS



MODEL 6600B

SKYTRON STANDARD LIMITED WARRANTY

SKYTRON, a Division of the KMW Group, Inc. (SKYTRON) warrants all new products sold by it directly or through a dealer or other authorized representative, with exception to replacement parts, spares, bulbs (surgical lights), pads, and accessory items (surgical tables) to be free from defects in material or workmanship, under normal use and service, for a period of two (2) years. This warranty shall include the cost of repair or replacement of defective parts including the cost of service labor and travel time to the site of equipment use. Delays caused by the user in accessing the equipment for repair will be chargeable at the normal hourly rate for service by SKYTRON's authorized service representative. The warranty period shall begin with the initial operation or one (1) year after receipt of the product, whichever shall occur first.

Replacement parts, spares, bulbs (surgical lights), pads and accessory items (surgical tables) are warranted to be free from defects in material or workmanship, under normal use and service, for a period of ninety (90) days from receipt by the ultimate user, with exception to replacement parts supplied by SKYTRON, for products under warranty, which shall be covered for any remaining period of the original product warranty, or for 90 days, whichever is of greater benefit to the ultimate user.

SKYTRON's responsibility and liability shall be limited to the repair or replacement of any part which we, SKYTRON, determine to be defective within the applicable warranty period. Minor adjustments required as a result of normal wear during the use of the product within the warranty period are not covered under warranty. The labor portion of this warranty is covered by SKYTRON's Authorized Service Agent. Repairs made by others are not authorized nor covered by SKYTRON with respect to labor costs.

SKYTRON shall not be liable for any other expense, loss or damage, whether direct, incidental, consequential or exemplary arising in connection with the sale or use of or the inability to use SKYTRON products.

NO EXPRESS WARRANTY IS GIVEN BY SKYTRON WITH RESPECT TO ITS PRODUCTS EXCEPT AS SPECIFICALLY SET FORTH HEREIN. ANY WARRANTY IMPLIED BY LAW, INCLUDING ANY WARRANTY OF MERCHANTABILITY OR FITNESS FOR A PARTICULAR PURPOSE, IS EXPRESSLY LIMITED TO THE TWO-YEAR AND 90-DAY TERMS SET FORTH ABOVE. THE FOREGOING STATEMENTS OF WARRANTY ARE EXCLUSIVE AND IN LIEU OF ALL OTHER REMEDIES.

No dealer, agent, employee or other representative of SKYTRON is authorized to extend or enlarge this warranty.

REV. 1/05

Although current at the time of publication, SKYTRON's policy of continuous development makes this manual subject to change without notice.

TABLE OF CONTENTS

Title	Page
EQUIPMENT LABELS AND SPECIFICATIONS	2
6600 Series General Purpose Surgical Table Specifications	3
SPECIAL USER ATTENTION	4
SECTION I INTRODUCTION	7
1-1. General.....	7
1-2. Power Requirements	7
1-3. Pendant Control Unit	8
1-4. Floor Lock/Brake System.....	8
SECTION II BATTERY TABLE CONTROLS.....	9
2-1. Introduction	9
2-2. Battery Model Table, AC 120VAC Operation	9
2-3. Battery Operation	10
2-4. Automatic Shut-Off	10
2-5. Charging the Battery	10
SECTION III OPERATION	11
3-1. Electrical Power	11
3-2. Positioning Functions	11
a. Floor Lock/Brake system	11
b. Trendelenburg	12
c. Lateral Tilt	12
d. Back Section	12
e. Elevation	12
f. Leg Section.....	13
g. Flex Positioning	13
h. Kidney Lift	13
i. Return To Level	13
3-3. Emergency Back-up controls.....	14
3-4. Emergency Brake Release	14
3-5. Head Section	15
3-6. Leg and Back Section Removal.	15
3-7. Table Top Rotation.	16
3-8. Positioning.....	17
SECTION IV MAINTENANCE	20
4-1. Preventive Maintenance.....	20
4-2. Cleaning Recommendations	20
4-3. Service	21

EQUIPMENT LABELS AND SPECIFICATIONS



INDICATES DANGEROUS VOLTAGE, 120 V, 60 Hz



CLASS I DEFIBRILLATION PROOF, TYPE B EQUIPMENT- IPX4 RATED.
INTERNALLY POWERED EQUIPMENT



PROTECTIVE GROUNDING.
IN ORDER TO ENSURE PROPER GROUNDING RELIABILITY,
THIS TABLE MUST BE CONNECTED TO A PROPERLY GROUNDED
HOSPITAL GRADE OUTLET.



CONNECTION FOR NEUTRAL CONDUCTOR SUPPLIED



UNIT TO BE USED ONLY IN SPECIFIED ENVIRONMENTAL CONDITIONS
TEMPERATURE: 15° - 30° C (60° - 85° F)
HUMIDITY: 30% - 60% RELATIVE HUMIDITY, NON CONDENSING



AC VOLTAGE

IPX4

ENCLOSURE CLASS

V

VOLTAGE RATING OF THE UNIT

A

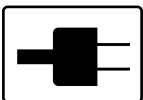
AMPERAGE RATING OF THE UNIT

HZ

FREQUENCY OF THE UNIT

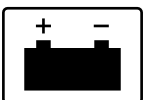


ATTENTION, CONSULT MANUAL FOR FURTHER INSTRUCTIONS.
INDICATES SPECIAL USER ATTENTION.



POWERED BY AC VOLTAGE

BATTERY MODELS

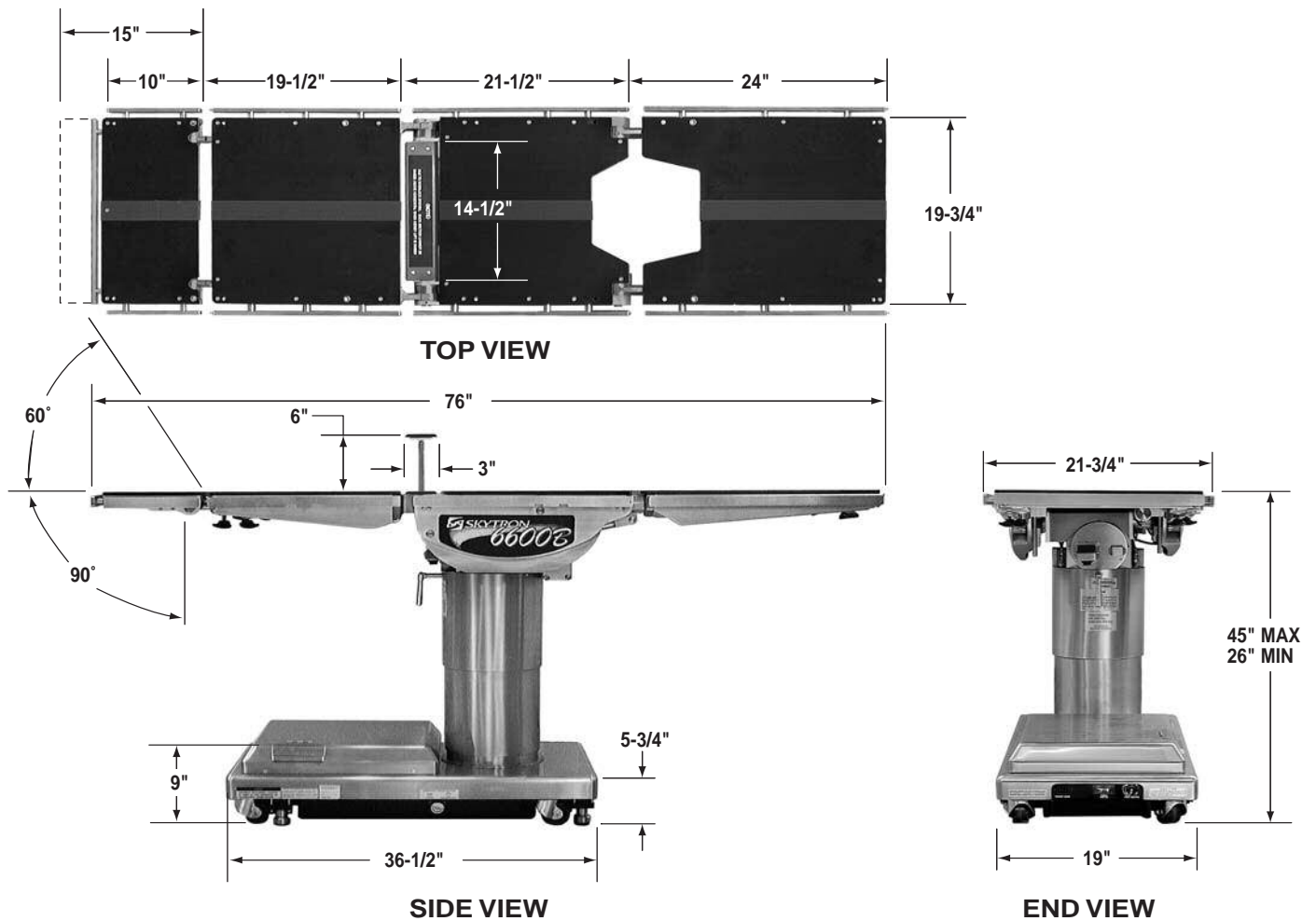


POWERED BY BATTERY

BATTERY TYPE: SEALED
LEAD ACID 12V, VALVE REGULATED
16AH, 10HR (530W/10MIN)

FUSE:  15 AMP FAST ACTING INTERNAL FUSE

6600 Series General Purpose Surgical Table Specifications



Electrical Specifications

Power requirements
 Current Leakage
 Power Cord

120 VAC, 60Hz, 450 Watts
 Less than 100 micro amps
 15 feet w/hospital grade connector(removeable)

ENTECLA CERTIFIED

TO UL2601-1
 CAN/CSA601.1, IEC 60601-2-46



SPECIAL USER ATTENTION

The extreme positioning capabilities of the 6600 Series Table requires special attention for possible interference points when using multiple function positioning. As with the operation of any surgical table, a certain amount of care should be exercised to position the patient safely. Although the thick pads and sheets substantially protect the patient, pinch points, located at the joints of the top section should always be considered. **BE SURE THAT THE ARMS, HANDS AND FINGERS OF THE PATIENT AND THOSE OF THE OPERATING ROOM PERSONNEL ARE CLEAR OF ALL MOVING PARTS BEFORE MOVING THE TABLE.** Proper restraints should always be used for patient safety.

Certain accessories such as the Uro-Drain Tray, Armboards and X-Ray top can be damaged when changing the position of the table top sections. Always look first to see if a desired movement is going to interfere with any accessories in use.

The operator has the ultimate responsibility of preventing damage to the table and surrounding equipment or possible injury to the patient or staff.

The operator must ensure proper positioning is maintained to prevent compromising respiration, nerve pathways or circulation.

In general, common sense will dictate when there is a potential hazard.

The following precautions should be reviewed by all personnel prior to operating the table.

A routine Instructional Program should be implemented by the facility for proper usage instructions for all personnel that may operate this table



WARNING



Indicates a possibility of personal injury.



CAUTION



Indicates a possibility of damage to equipment.

NOTE

Indicates important facts or helpful hints.

NOTE

Activating any function button will activate the brake system. Using the TABLE UP function to set the brakes provides a visual assurance that the brakes are locked without altering the table position, except when emergency brake is released.



WARNING



Prior to operating the table, observe all table caution labels and review the SPECIAL USER ATTENTION section in the front of this manual.



WARNING



Possible explosion hazard exists if table is used in the presence of FLAMMABLE ANESTHETICS.

NOTE

The table will operate correctly on battery power with the power cord connected to a wall outlet or disconnected.

NOTE

Battery Operation must be turned OFF at the pendant control. It can not be turned Off using the main power switch.

NOTE

Turning the Main Power Switch ON will change the table operation to 120 VAC power.

NOTE

If the table is stored for a period greater than 6 months, the batteries should be removed and stored in a dry, clean condition at a storage temperature of 68° F (20° C). Batteries should be recharged every 6 months of product storage.

NOTE

When the red light starts to blink (indicating low power in battery) the table will operate for approximately 5 continuous minutes, typically long enough to use the table for the rest of the day.

NOTE

The charging system operates ONLY when the table is in AC120V operation mode.

SPECIAL USER ATTENTION

NOTE

In battery mode, only the red indicator light will be on. In AC 120V mode, both the green indicator light and red indicator light will be on.

NOTE

The table can be operated on 120VAC power while the battery is being recharged.

NOTE

The POWER SWITCH can be placed in the OFF position to completely deactivate all table functions if required during certain procedures or in case of emergency.



WARNING



DO NOT unlock brakes when a patient is on the table. An uneven patient weight load may cause instability.

NOTE

With an evenly distributed patient weight load, all table positioning functions will operate smoothly and quietly with a patient weight of up to 600 pounds.



WARNING



To maximize patient safety, utilize proper restraint methods during extreme Trendelenburg positioning.



WARNING



To maximize patient safety, utilize proper restraint methods during extreme lateral tilt positioning.

NOTE

To prevent damage to the kidney lift, a safety interlock prevents the back section from going above horizontal if the kidney lift is not all the way down. If the kidney lift is raised, an audible alarm will sound when the BACK UP button is pressed.



WARNING



The Leg section may hit the table base or the floor if both the leg and elevation systems are placed in their full down position.

NOTE

When REFLEX button is activated, if Kidney Bridge is up, the back section will not go above horizontal.

NOTE

To prevent damage to the kidney lift, a safety interlock prevents the kidney lift from going up if the back section is raised above horizontal. If the back section is raised, an audible alarm will sound when the KIDNEY UP button is pressed.

NOTE

Elevation, kidney lift, and brake system functions are not affected by the return to level function.



CAUTION



The Back Section/Kidney Lift safety interlock is not operational when the emergency back-up control switches are used.



CAUTION



The EMERGENCY BRAKE LOCK switch does not activate the brake system timer. The switch must be held until the brakes are completely locked, approximately 10 seconds.

NOTE

The emergency back-up control switches on the battery powered models will function when the table is operating on 120VAC power, battery power, or turned off.

NOTE

The Emergency Brake Release Valve must be closed and tightened (clockwise) before activating any function.

•If the Emergency Brake Release Valve has been operated, the UNLOCK button on the pendant control will have to be pressed before brakes will lock again.

SPECIAL USER ATTENTION

NOTE

To make the Back Section easier to handle, remove the Head Section prior to removing the Back Section.



WARNING



Ensure that the Leg and Back sections are properly engaged and secured to pins before use to prevent injury.

NOTE

The Leg and Back sections are labeled for proper orientation. The Leg section can not be installed on the Back section pins.

NOTE

Normal table top position is with the head (and back) section over the power cord end of the base.



WARNING



Always lock the table top in position after rotation. DO NOT rotate the top with an unevenly distributed patient weight load as instability may result.



WARNING



- Make sure the TOP ROTATION LOCK HANDLE is tightened and the brakes are set before transferring the patient.

- Exercise caution with the table top rotated 90° to the base since an improperly distributed patient load may cause the table to be tipped over. A table support rod is required for 90° positioning. See Specialty Positioning.



WARNING



Consult manufacturer's instructions when using high frequency surgical equipment, cardiac defibrillator and cardiac defibrillator monitors.



WARNING



When an antistatic pathway is required, the table has to be used on an antistatic floor.



WARNING



The antistatic properties of the table are dependent on the use of the original pad set which was furnished with the table or an alternate approved replacement.



WARNING



Certain accessories may limit weight capacities. Check with your SKYTRON representative.

NOTE

Always follow current AORN Journal Guidelines to ensure proper cleaning and disinfection procedure.



WARNING



Always follow OSHA blood-borne pathogens standards for protective clothing, including gloves, masks and eye protection when cleaning the surgical table.



CAUTION



Thoroughly read and follow the manufacturer's directions for all cleaning fluids. DO NOT use cleaners containing phenolics.



CAUTION



When using spray cleaners DO NOT spray fluids directly into electrical receptacles or micro switches.



CAUTION



Before replacing pads on the table, make sure the pads and all mating surfaces are completely dry. Moisture trapped between the pads and mating surfaces may cause distortion of table tops.

SECTION I INTRODUCTION

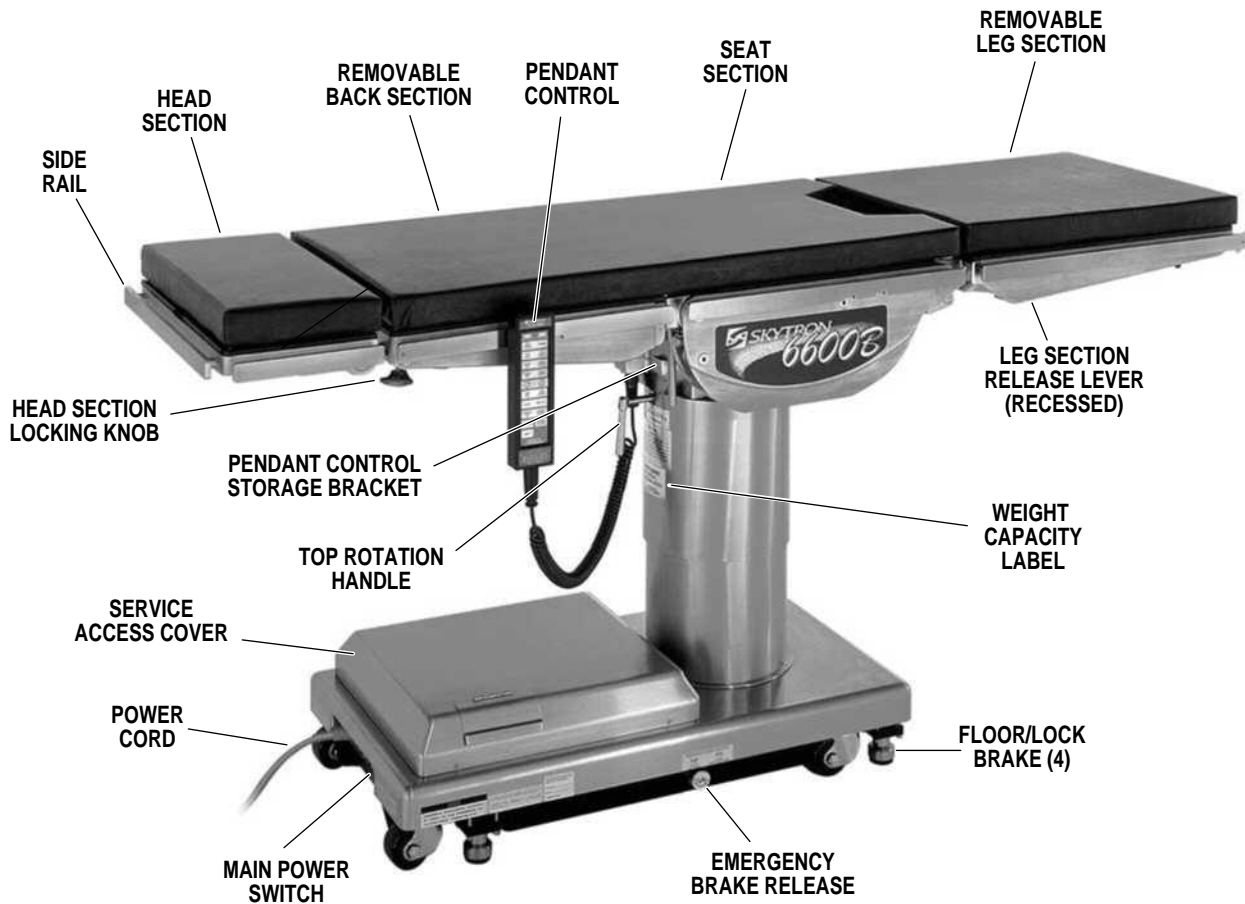


Figure 1-1. 6600B

1-1. General

SKYTRON's 6600 Series Surgical Tables are electro-hydraulically operated, general purpose surgical tables. See figure 1-1.

The electro-hydraulic positioning functions operated by the hand-held, push button, pendant control unit are: Trendelenburg, lateral tilt, back section, elevation, leg section, flex/reflex, kidney lift, return to level, and the floor lock/brake system.

Manual controls are provided for head section positioning, table top rotation, emergency brake release, back section removal and leg section removal.

1-2. Power Requirements

The 6600 Series Surgical Tables require a 120VAC, 60 Hz electrical power supply. The table is equipped with a 15 foot long power cord with a standard three prong, removable hospital grade plug. The main

power ON/OFF switch is located on the electrical panel on the front edge of the table base. See figure 1-2.

The battery charging indicator, power indicator and foot control connector are also located on the electrical panel.

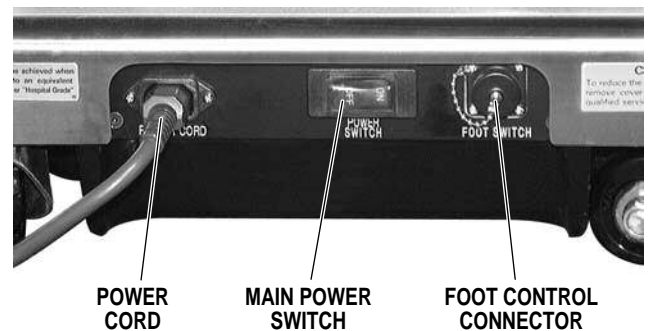


Figure 1-2. Electrical Panel

1-3. Pendant Control Unit

The hand-held pendant control unit (figure 1-3) has a non-slip rubber cover which assures a positive grip during use. A spring clip hanger is located on the back of the control for storage. When the Pendant Control is not in use, it should be stored on a convenient side or end rail. A bracket is located under the table top next to the pendant control connector for storage of the Pendant Control when the table is not in use and during cleaning. See figure 1-4.



Figure 1-3. Pendant Control Unit

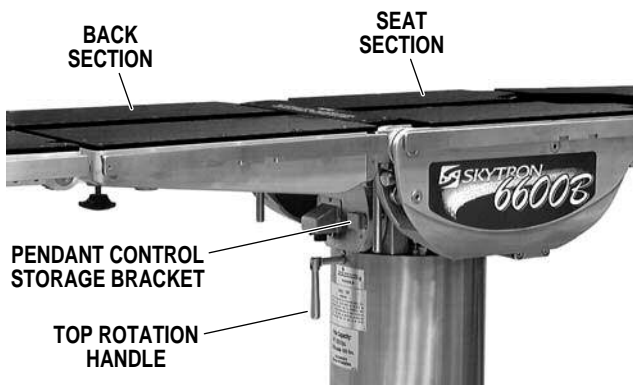


Figure 1-4. Pendant Control Storage Bracket and Connector

The function push buttons are identified with abbreviated descriptions for all functions. See figures 1-5 and 1-6. When illuminated the Trendelenburg and table up buttons are red, the remaining buttons are all green.

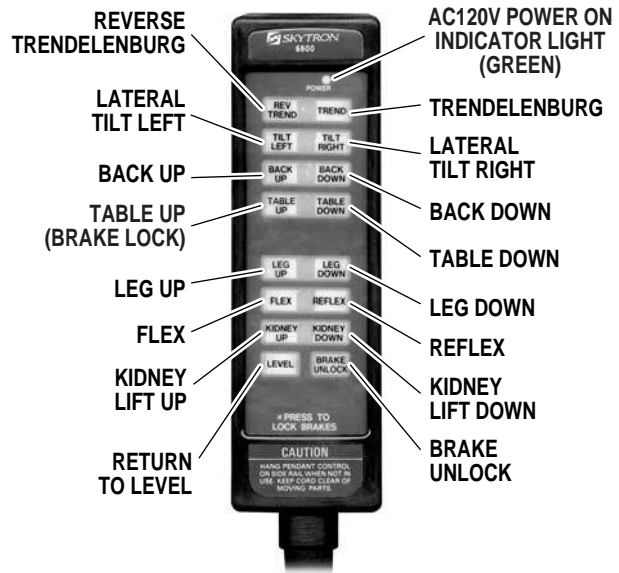


Figure 1-5. Model 6600 Function Buttons

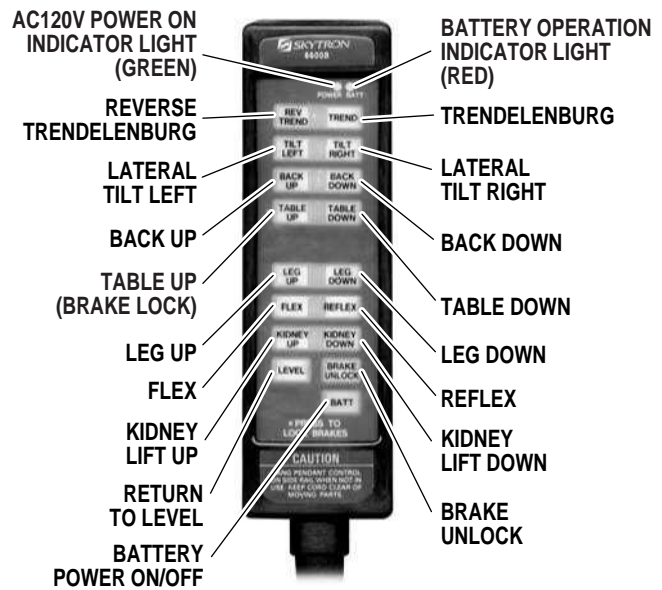


Figure 1-6. Model 6600B Function Buttons

1-4. Floor Lock/Brake System

The floor lock/brake system consists of four self-leveling, hydraulic brake cylinders which raise and support the table base off from the casters. Press the TABLE UP button on the pendant control to set the table's brakes. An electronic timer will activate the brake system until the brakes are completely set, approximately 8-10 seconds.

NOTE

Activating any function button will activate the brake system. Using the TABLE UP function to set the brakes provides a visual assurance that the brakes are locked without altering the table position, except when emergency brake is released.

SECTION II MODEL 6600B BATTERY TABLE CONTROLS

2-1. Introduction

The operation of the 6600B, Battery Model table is identical to the line powered models except for the functions required to operate on battery power. The following section explains the differences for the battery powered models.



Prior to operating the table, observe all table caution labels and review the SPECIAL USER ATTENTION section in the front of this manual.



Possible explosion hazard exists if table is used in the presence of FLAMMABLE ANESTHETICS.

2-2. Battery Model Table, AC 120VAC Operation

The battery model tables will operate on either 120 VAC or battery power. Use the following procedures to operate the table on 120 VAC power.

a. Be sure the power cord is plugged into a properly grounded, Hospital Grade, 120VAC outlet. Make sure the power cord is routed to the outlet to prevent it from being in the way of operating personnel.

b. Activate the POWER SWITCH located on the electrical panel. See figure 2-1. The switch will illuminate.

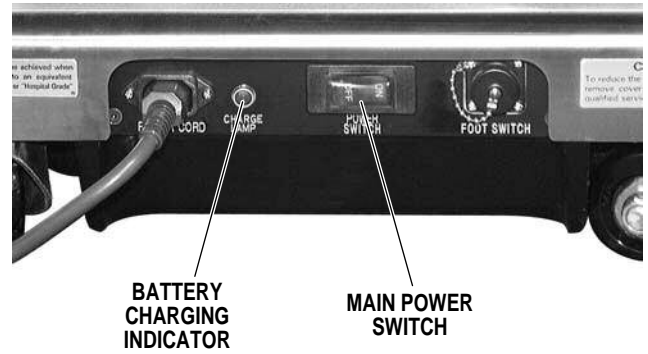


Figure 2-1. Main Power Switch



Figure 2-2. Pendant Control

The pendant control buttons and the green AC 120VAC, POWER indicator light located in the upper right corner of the pendant control will illuminate. See figure 2-2.

c. The table is now ready for 120VAC operation. Refer to Section 3 for operation.

2-3. Battery Operation

a. Make sure the amber, AC 120V, Power-On indicator light, on the electrical panel, is OFF. See figure 2-2. If the indicator light is ON, turn AC120V operation OFF with the main power switch.

NOTE

The table will operate correctly on battery power with the power cord connected to a wall outlet or disconnected.

b. Press the BATT button on the hand-held pendant control. The pendant control buttons and the red BATTERY indicator light, located in the upper right corner of the pendant control, will illuminate.

c. The table is now ready for BATTERY operation. Refer to Section 3 for operation.

d. To extend the battery charge life, turn the BATTERY power OFF with the pendant control when the table is not going to be used.

NOTE

Battery Operation must be turned OFF at the pendant control. It can not be turned Off using the main power switch.

2-4. Automatic Shut-Off

a. To prevent unnecessary discharge of the battery, a timer is built into the battery circuit. This timer will automatically shut the battery power OFF after 1½ hours of table inactivity.

b. To turn the table ON again, press the BATT button on the pendant control, the pendant control buttons and the red indicator light will illuminate.

NOTE

Turning the Main Power Switch ON will change the table operation to 120 VAC power.

2-5. Charging the Battery

Batteries should be charged:

- When the table is placed into initial service
- As indicated by red indicator light blinking
- Every week in normal service

NOTE

If the table is stored for a period greater than 6 months, the batteries should be removed and stored in a dry, clean condition at a storage temperature of 68° F (20° C). Batteries should be recharged every 6 months of product storage.

a. If the battery needs to be charged when operating the table on battery power, the red indicator light on the pendant control will begin to blink. At this time the battery needs to be recharged.

NOTE

When the red light starts to blink (indicating low power in battery) the table will operate for approximately 5 continuous minutes, typically long enough to use the table for the rest of the day.

NOTE

The charging system operates ONLY when the table is in AC120V operation mode.

b. To recharge the battery, make sure the power cord is plugged into a 120VAC wall outlet and turn the main POWER SWITCH - ON. The switch and the green CHARGE LAMP will illuminate.

NOTE

In battery mode, only the red indicator light will be on. In AC 120V mode, both the green indicator light and red indicator light will be on.

c. A full battery charge will last approximately 2 weeks under normal operating conditions. However, it is recommended to charge the batteries at the end of each week to establish a normal routine protocol. Lead acid batteries last longer if they are not permitted to fully discharge. The table features (2) 12 volt, sealed, lead acid batteries which require no manual maintenance. Lead acid gel batteries, under a proper charging program, feature an approximate normal life of 4 years.

NOTE

The table can be operated on 120VAC power while the battery is being recharged.

SECTION III OPERATION

3-1. Electrical Power



WARNING

Prior to operating the table, observe all table caution labels and review the SPECIAL USER ATTENTION section in the front of this manual.



WARNING

Possible explosion hazard exists if table is used in the presence of FLAMMABLE ANESTHETICS.

a. Check to be sure the power cord is attached to the table and plugged into a properly grounded, Hospital Grade, 120VAC outlet. Make sure the power cord is routed so as to prevent it from being in the way of the operating personnel.

b. Depress the POWER SWITCH on the electrical panel to supply power to the table. See figure 3-1. The pendant control buttons and the green POWER indicator light on the pendant control should now be illuminated.

NOTE

The POWER SWITCH can be placed in the OFF position to completely deactivate all table functions if required during certain procedures or in case of emergency.

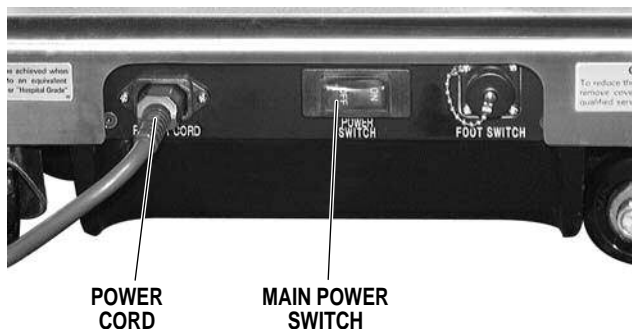


Figure 3-1. Main Power Switch

3-2. Positioning Functions

The hand-held pendant control (figure 3-2) activates the following table functions:

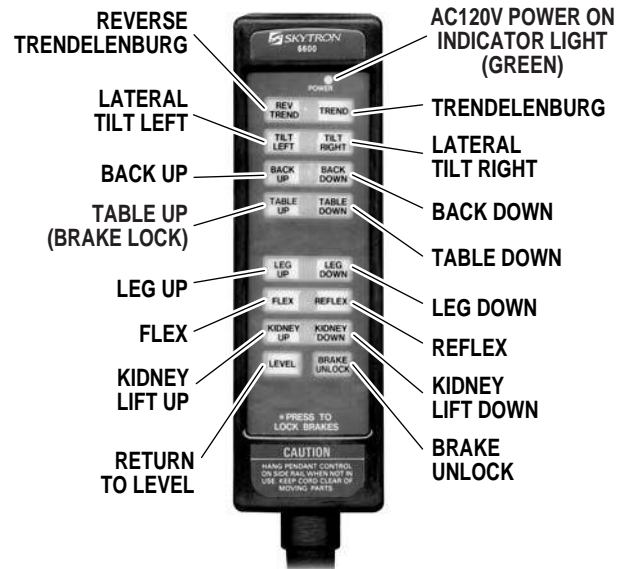


Figure 3-2. Pendant Control Function Buttons

a. **Floor Lock/Brake System.** To activate the brakes without affecting table positioning, press the TABLE UP button. See figure 3-3. The elevation cylinder will not function until the brakes are completely extended.

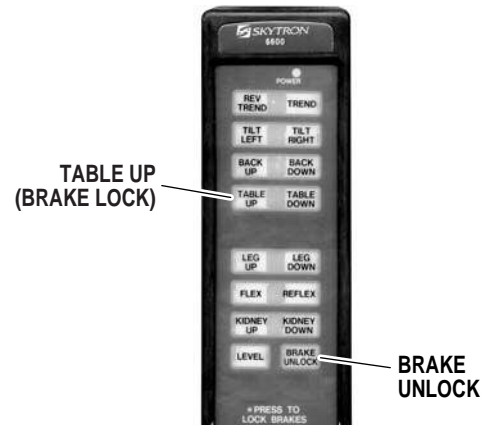


Figure 3-3. Brake System Activation

Press the BRAKE UNLOCK button on the pendant control to release the four self-leveling brake feet in order to move the table. See figure 3-3. The brake delay circuit automatically retracts the brake system. It takes approximately 7-8 seconds to totally release the system.



WARNING

DO NOT unlock brakes when a patient is on the table. An uneven patient weight load may cause instability.

NOTE

With an evenly distributed patient weight load, all table positioning functions will operate smoothly and quietly with a patient weight of up to 600 pounds.

b. Trendelenburg. To place the table in a Trendelenburg (head down) position, press the TREND button (figure 3-4). To place the table in a reverse Trendelenburg (head up) position, press the REV TREND button. Trendelenburg positioning of up to 30° may be obtained.



WARNING



To maximize patient safety, utilize proper restraint methods during extreme Trendelenburg positioning.

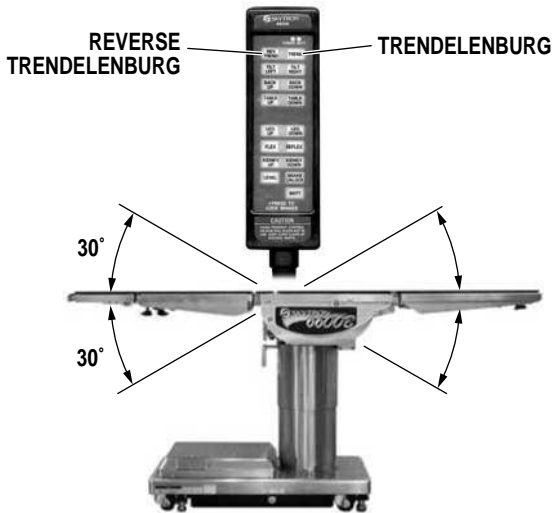


Figure 3-4. Trendelenburg Positioning

c. Lateral Tilt. To achieve lateral tilt right (as viewed from the head end of the table), press the TILT RIGHT button (figure 3-5). To achieve lateral tilt left, press the TILT LEFT button. Tilt of up to 30° may be obtained.



WARNING



To maximize patient safety, utilize proper restraint methods during extreme lateral tilt positioning.

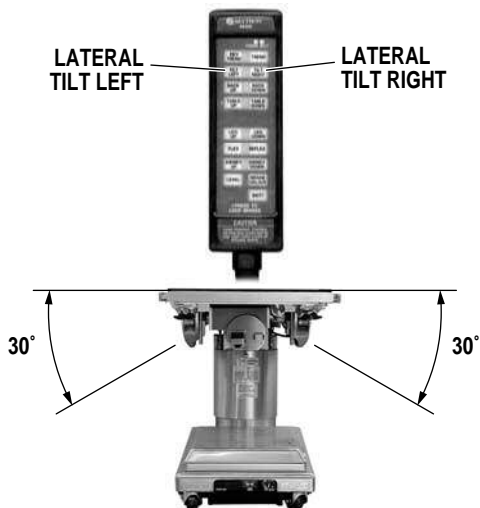


Figure 3-5. Lateral Tilt Positioning

d. Back Section. To raise the back section, press the BACK UP button (figure 3-6). The back section will raise up to 90° above horizontal. To lower the back section, press the BACK DOWN button. The back section will go down to 40° below horizontal.

NOTE

To prevent damage to the kidney lift, a safety interlock prevents the back section from going above horizontal if the kidney lift is not all the way down. If the kidney lift is raised, an audible alarm will sound when the BACK UP button is pressed.

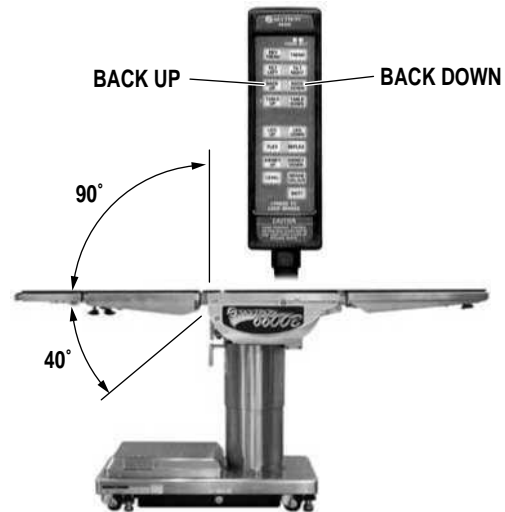


Figure 3-6. Back Section Positioning

e. Elevation. To raise table top, press the TABLE UP button (figure 3-7). The table will lift a patient weight of 1,000 pounds up to a maximum height of 45" (49" with X-Ray top and 2" pad). To lower the table top, press the TABLE DOWN button. The table top will go down to a minimum height of 26".

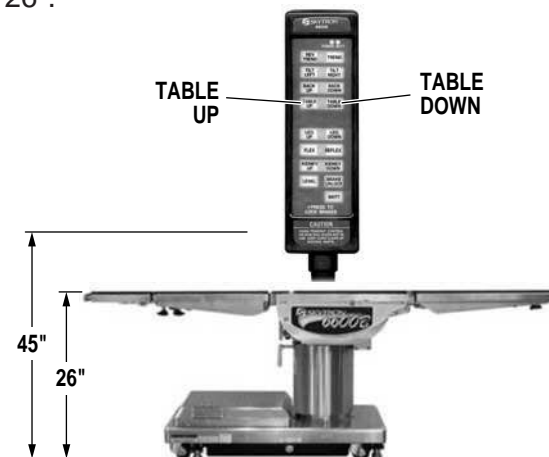


Figure 3-7. Elevation Function

f. Leg Section. To lower the leg section, press the LEG DOWN button (figure 3-8). The leg section will go down to 100° below horizontal. To raise the leg section, press the LEG UP button. The leg section will go up to horizontal.

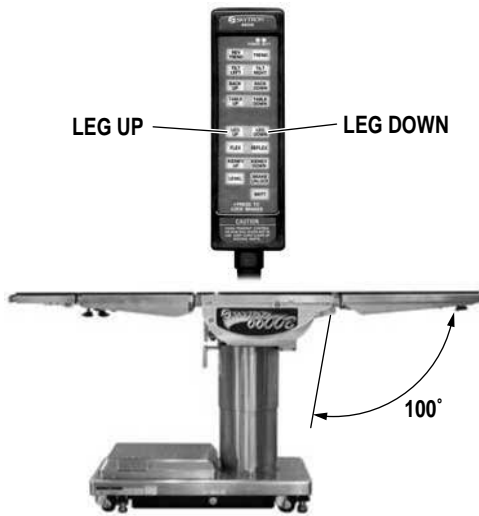


Figure 3-8. Leg Section Positioning



WARNING

The Leg section may hit the table base or the floor if both the leg and elevation systems are placed in their full down position.

g. Flex Positioning. To place the table top in a flex position from horizontal, press the FLEX button (figure 3-9). To return the table top to a horizontal position or into a reflex position, press the RETURN or REFLEX button.

NOTE

When REFLEX button is activated, if Kidney Bridge is up, the back section will not go above horizontal.

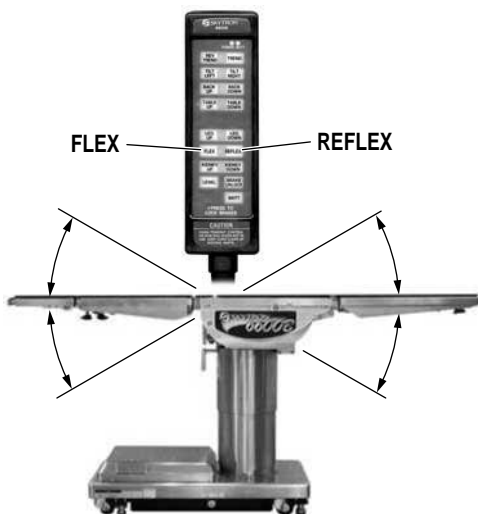


Figure 3-9. Flex/Reflex Positioning

h. Kidney Lift. To raise the built-in kidney lift, press the KIDNEY UP button (figure 3-10). Up to 6 inches of lift can be achieved. Press the KIDNEY DOWN button to lower the kidney lift.

NOTE

To prevent damage to the kidney lift, a safety interlock prevents the kidney lift from going up if the back section is raised above horizontal. If the back section is raised, an audible alarm will sound when the KIDNEY UP button is pressed.

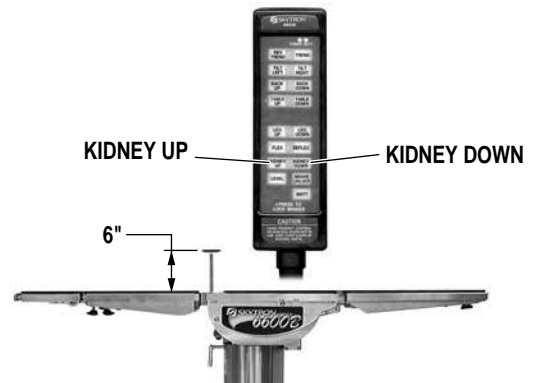


Figure 3-10. Kidney Lift Positioning

i. Return To Level. To return the table top to a level position, press the LEVEL button (figure 3-11).

NOTE

Elevation, kidney lift, and brake system functions are not affected by the return to level function.

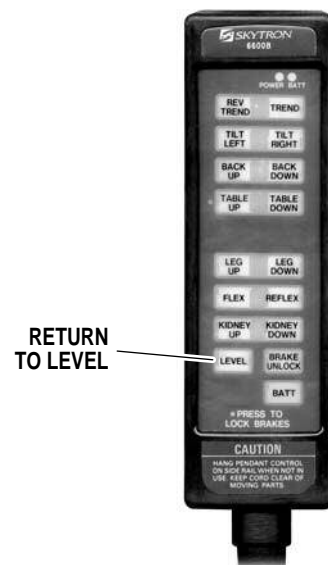


Figure 3-11. Return To Level

3-3. Emergency Back-up Controls

a. The emergency back-up control switches are located under the access door on the service access cover in the table base. See figure 3-12.

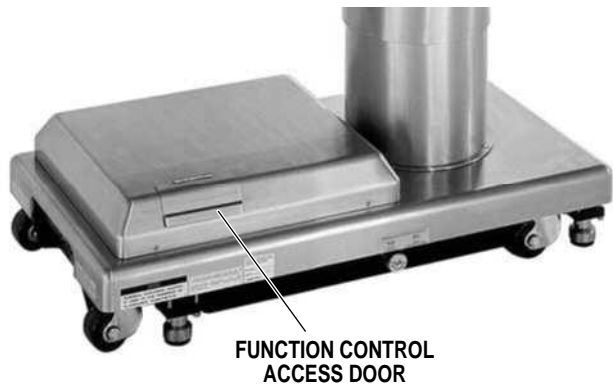


Figure 3-12. Emergency Controls Location

b. In the event of either a power failure or a problem with the hand-held pendant control, the table can be operated using the emergency back-up switches. Simply push the desired emergency switch in the appropriate direction to operate the table functions. See figure 3-13.

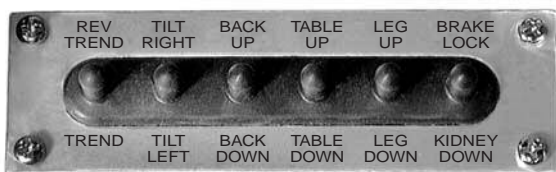


Figure 3-13. Emergency Back-Up Controls



CAUTION

The Back Section/Kidney Lift safety interlock is not operational when the emergency back-up control switches are used.



CAUTION

The EMERGENCY BRAKE LOCK switch does not activate the brake system timer. The switch must be held until the brakes are completely locked, approximately 10 seconds.

NOTE

The emergency back-up control switches on the battery powered models will function when the table is operating on 120VAC power, battery power, or turned off.

c. Switches are provided for Trendelenburg, lateral tilt, back section, elevation, leg section, kidney down and brake lock. These switches are spring-loaded so they return to the neutral or center position when released.

3-4. Emergency Brake Release. In case of a power failure or an electrical problem within the table, the emergency brake release system can be used to move the table. The control knob for this function is located on the side of the table base and is identified by an EMERGENCY BRAKE RELEASE label. Turn the knob counterclockwise to release the brakes. See figure 3-14.



Figure 3-14. Emergency Brake Release

NOTE

The Emergency Brake Release Valve must be closed and tightened (clockwise) before activating any function.

- If the Emergency Brake Release Valve has been operated, the UNLOCK button on the pendant control will have to be pressed before brakes will lock again.

3-5. Head Section

a. A quick release positioning bar located under and to the front of the head section (figure 3-15) is used to raise or lower the head section. Pull the release bar toward the head end to allow the section to pivot up or down. Positioning from 60° above horizontal to 90° below horizontal in 15° increments is available. Release the bar to lock the head section in position.



Figure 3-15. Head Section Adjustment

b. By loosening two locking knobs beneath the back section, an additional 5" of longitudinal adjustment can be achieved. If desired, the head section may be removed by loosening the locking knobs and pulling it straight out of the back section.

6600 Series Tables have the capability of attaching the head section to the leg section for use as a foot extension ONLY. Do Not reverse the patient on the table without first consulting with SKYTRON.

Two locking knobs are located on the inside of the leg section for securing the head section. See figure 3-16.

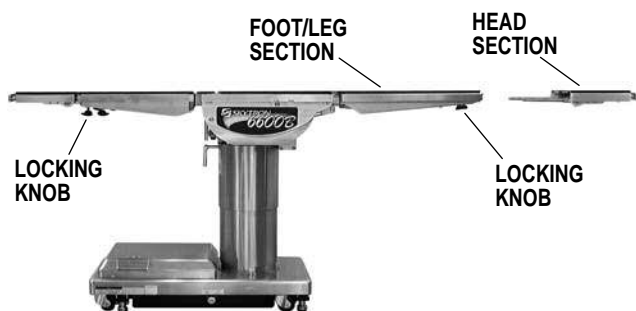


Figure 3-16. Repositioning Head Section (for use as a Foot Extension)

3-6. Leg and Back Section Removal.

a. The Leg Section and the Back Section on the 6600 series tables are both removable. See figure 3-17 (Leg Section shown).

b. To remove either section, simultaneously depress both release levers and pull the section out. Press the LEG DOWN or BACK DOWN button on the pendant control to position the attachment pins down and out of the way.

NOTE

To make the Back Section easier to handle, remove the Head Section prior to removing the Back Section.

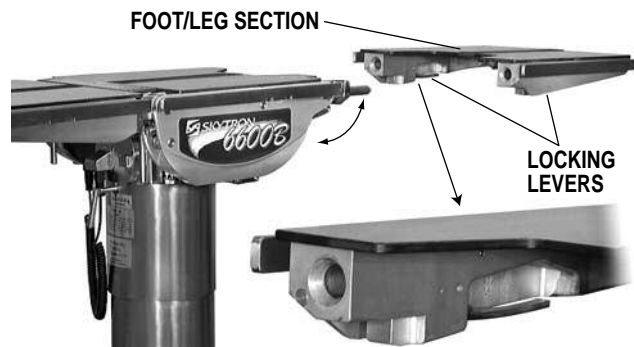


Figure 3-17. Leg Section Removal

c. To install the section, press and hold the LEG UP or BACK UP button until the attachment pins completely stop. Install the section on the pins. Pull out on the section to make sure the release levers are completely locked.



WARNING



Ensure that the Leg and Back sections are properly engaged and secured to pins before use to prevent injury.

NOTE

The Leg and Back sections are labeled for proper orientation. The Leg section can not be installed on the Back section pins.

3-7. Table Top Rotation.

NOTE

Normal table top position is with the head (and back) section over the power cord end of the base.

a. The table top can be horizontally rotated 210° without having to rotate the entire table. Refer to figure 3-18. To rotate the top, turn the TOP ROTATION LOCK HANDLE counterclockwise to release, grasp the table by the head end and rotate the top counterclockwise. Lock the top in position by tightening the TOP ROTATION LOCK HANDLE clockwise.



Always lock the table top in position after rotation. DO NOT rotate the top with an unevenly distributed patient weight load as instability may result.

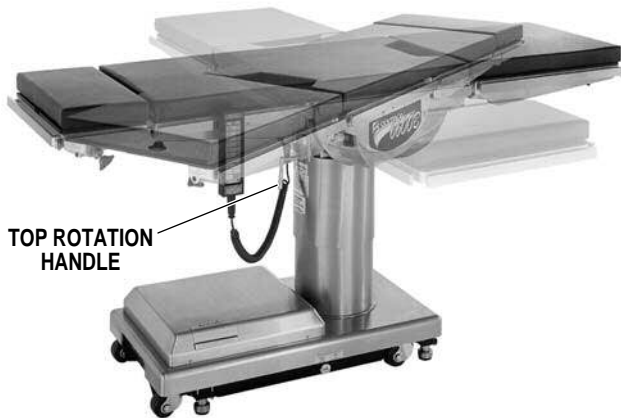


Figure 3-18. Top Rotation

b. The use of the optional support rod allows the table top to be rotated 90° from the base. See figure 3-19.



- Make sure the TOP ROTATION LOCK HANDLE is tightened and the brakes are set before transferring the patient.

- Exercise caution with the table top rotated 90° to the base since an improperly distributed patient load may cause the table to be tipped over. A table support rod is required for 90° positioning. See Specialty Positioning.



Figure 3-19. 90 Degree Top Rotation



Consult manufacturer's instructions when using high frequency surgical equipment, cardiac defibrillator and cardiac defibrillator monitors.



When an antistatic pathway is required, the table has to be used on an antistatic floor.



The antistatic properties of the table are dependent on the use of the original pad set which was furnished with the table or an alternate approved replacement.

3-8. Positioning

The use of certain optional accessories available from SKYTRON further extend the positioning capabilities of the 6600 Series Tables. Refer to the following "Positioning Guidelines" or contact your SKYTRON representative for further details.

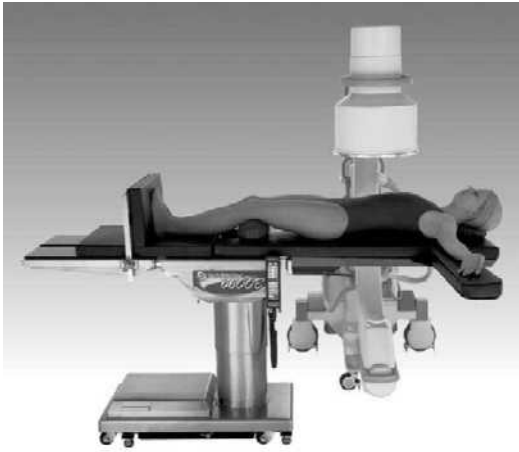


WARNING

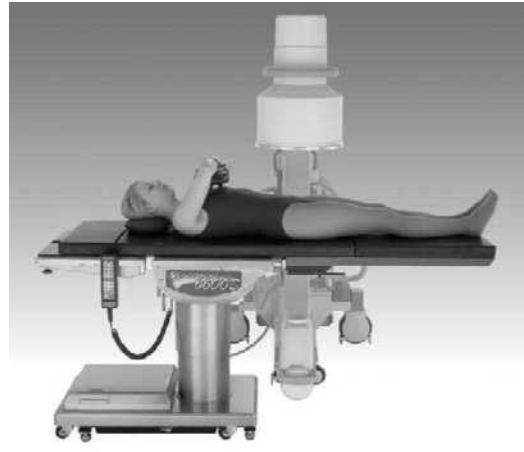


Certain accessories may limit weight capacities. Check with your SKYTRON representative.

6600 Series Patient Positioning Guidelines



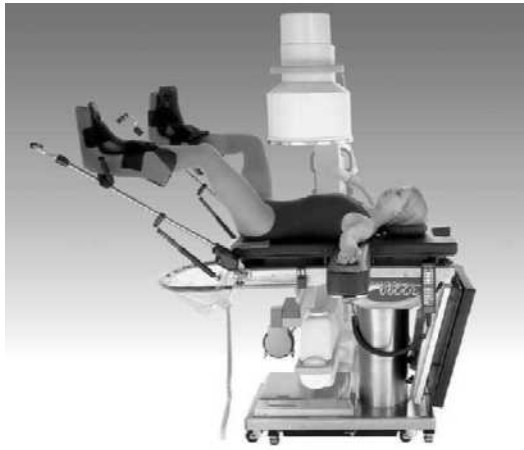
Upper Body Imaging Accessories: 4-030-36 36" Carbon Fiber Back/Leg Extension; 2-060-01 + 2-060-01-2P Single Carbon Fiber Armboard with 2" Standard Pad; 4-030-13 + 4-030-13-2P 10" Foot Extension with 2" Standard Pad and Clamps.



Lower Body Imaging Accessories: 4-030-36 36" Carbon Fiber Back/Leg Extension; 2-020-02 Multi-Task Armboard with Pad and 6-040-07 E-Z Lock Clamp.



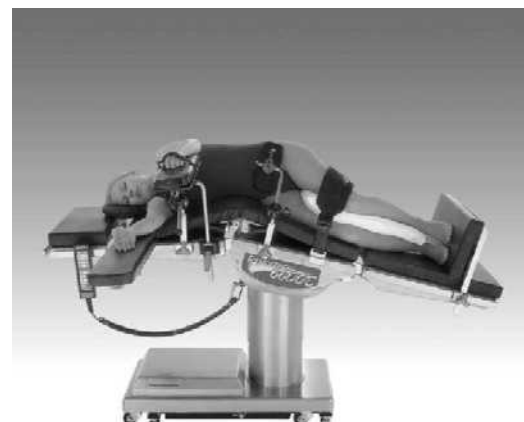
Lap Nissen Accessories: 3-040-05 Pelvic Tilt Seat with Pad; 4-030-60 Universal Split Leg with 2" Pads and Built-in Clamps; 4-030-01 Foot Rests with Clamps; 2-020-02 Multi-Task Armboard with Pad and 6-040-07 EZ Lock Clamp.



Urology Accessories: 5-010-18-B Radiographic Top; 4-090-03-1 + 6-030-05 Levitator Stirrups and (2) 6-030-05 EZ Grip Clamps; 4-040-14 Uro Catcher II; 4-040-14-1 Sterile Pouch; 2-010-02 + 2-010-02-4P Standard Armboard with 4" Pad.



Ophthalmic/ENT Accessories: 6-010-41-V 90" Restraint Strap; 4-030-13 + 4-030-13-2P 10" Foot Extension with 2" Standard Pad and Clamps; (2) 2-010-02 + 2-010-02-2P Standard Armboard with 2" Pad.

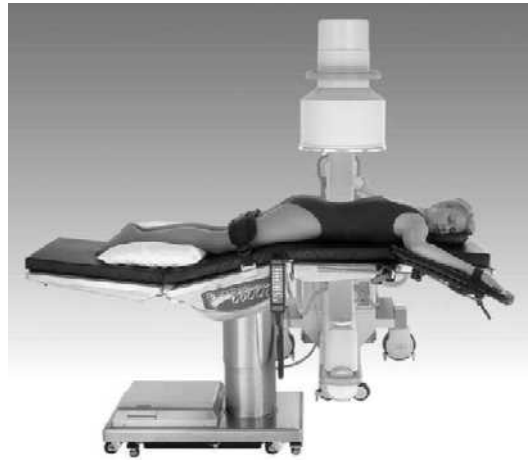


Nephrectomy Accessories: 6-010-42 58-1/2" Snap Restraint Strap; 2-020-02 Multi-Task Armboard with Pad and 6-040-07 EZ Lock Clamp; 4-030-13 + 4-030-13-2P 10" Foot Extension with 2" Pad and Clamps; 3-010-03 + 6-030-05 Universal Patient Positioner and Clamp; 2-010-02 + 2-010-02-2P Standard Armboard with 2" Pad.

6600 Series Patient Positioning Guidelines



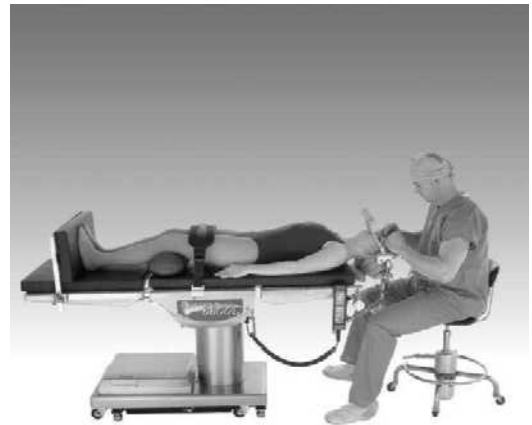
Neuro (neck) Accessories: (2) 2-020-01-1 Raised Armboards and (2) 6-040-07 EZ Lock Clamps; 6-010-41-V 90° Restraint Strap; 4-030-13 + 4-030-13-2P 10" Foot Extension with 2" Standard Pad and Clamps.



Neuro (lumbar) Accessories: 6-010-42 58-1/2" Snap Restraint Strap; 2-020-02 Multi-Task Armboard with Pad and (2) 6-040-07 EZ Lock Clamps.



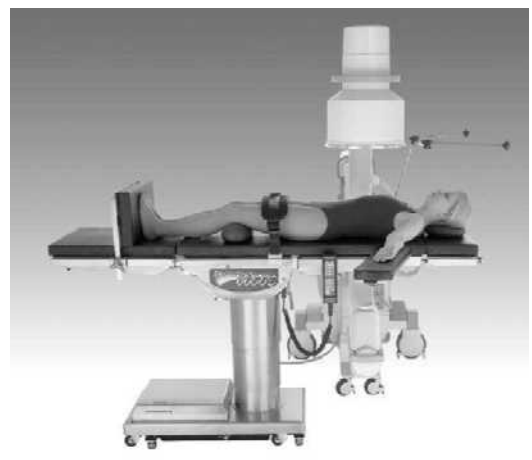
Shoulder Arthroscopy Accessories: 6-010-41-V 90° Restraint Strap; 3-040-04 Power Lift Shoulder Arthroscopy Positioner; 4-030-13 + 4-030-13-2P 10" Foot Extension with 2" Standard Pad and Clamps; 3-010-04 Lateral Brace and EZ Lock Clamp (included).



Neuro (head) Accessories: 4-030-13 + 4-030-13-2P 10" Foot Extension with 2" Standard Pad and Clamps; 6-010-42 58-1/2" Snap Restraint Strap.



Hip Revision Accessories: 2-020-02 Multi-Task Armboard with Pad and 6-040-07 EZ Lock Clamp.



Cardiovascular Accessories: 6-010-42 58-1/2" Snap Restraint Strap; 6-020-04-1 "L" Type Anesthesia Screen and 6-040-07 EZ Lock Clamp; 4-030-13 + 4-030-13-2P 10" Foot Extension with Clamps and 2" Standard Pad.

SECTION IV MAINTENANCE

4-1. Preventive Maintenance

The following preventive maintenance checks and services are recommended to ensure the serviceability and proper operation of your SKYTRON Surgical Table, and should only be performed by qualified SKYTRON trained personnel.

a. During normal cleaning, a general visual examination should be made checking for leaks, loose bolts or parts, and cracked, chipped, or missing paint. Any necessary repairs should be made. Refer to the 6600 Maintenance Manual.

b. Semi-annually the following checks and services should be performed:

1. Check all hydraulic fittings, mini-valves and slave cylinders for proper operation and any signs of leaks.
2. Check the hydraulic speed controls and adjust if necessary.
3. Pressure check (with a gauge) the pressure relief valve.
4. Check all mechanical adjustments and adjust as necessary.
5. Check hydraulic fluid level.
6. Lubricate the slider assembly.
7. Check function of foot leg release levers, (release knob early models). Lubricate as necessary.

4-2. Cleaning Recommendations

NOTE

Always follow current AORN Journal Guidelines to ensure proper cleaning and disinfection procedure.

The following procedures should be followed when cleaning the surgical table between cases.

Place table top in level position prior to starting cleaning procedure.



WARNING



Always follow OSHA blood-borne pathogens standards for protective clothing, including gloves, masks and eye protection when cleaning the surgical table.

Remove major contaminants from the table with disposable materials following appropriate biohazard waste disposal procedures.

Remove all table pads and place them on a flat surface for cleaning.



CAUTION



Thoroughly read and follow the manufacturer's directions for all cleaning fluids. **DO NOT** use cleaners containing phenolics.

Apply cleaning fluid liberally to top and sides of each pad and wipe with a clean lint-free cloth.

Using a clean, damp, lint-free cloth, wipe the pads to remove the cleaning fluid.

Using a clean, dry, lint-free cloth, wipe the pads to remove all moisture.

Repeat the steps to clean the bottom of the each pad.



CAUTION



When using spray cleaners **DO NOT** spray fluids directly into electrical receptacles or micro switches.

Repeat cleaning procedure for all table surfaces including the top, sides, elevation column, base and all accessories.



CAUTION



Before replacing pads on the table, make sure the pads and all mating surfaces are completely dry. Moisture trapped between the pads and mating surfaces may cause distortion of table tops.

When the cleaning procedure is complete, replace all pads and accessories as applicable.

Remove pendant control from table side rail and apply cleaning solution to the pendant control and cord.

Use a clean cloth dampened with water to remove cleaning solution.

Use another clean damp cloth to remove any remaining residue.

Install pendant control on side rail for storage when cleaning procedure is complete.

4-3. Service

Table maintenance can be performed by trained maintenance personnel using SKYTRON authorized replacement parts and service techniques. Service instructions and parts are available from SKYTRON.

Preventive Maintenance contracts are available through your local SKYTRON representative.

To obtain service instructions, replacement parts, factory service or preventive maintenance contracts, contact the SKYTRON representative listed below.

Or contact:

SKYTRON

5000 36th Street S.E.

Grand Rapids, MI 49512

1-800-SKYTRON (1-800-759-8766)

Fax. 1-616-957-5053



5000 36th Street S.E., Grand Rapids, MI 49512
1-800-SKYTRON or 1-616-957-0500 • FAX 1-616-957-5053