

MIDMARK®

Manual Examination Table

[English](#)

[Español](#)

[Français](#)

For models:
604 (all)



MA706600i



Refer to compliance chart
in this manual.

User's Guide

Style P

TP202 20-42-FO-00014 Rev A1 C2169 003-1533-99 Rev. TA2 (5/30/19)

Product Information

(The information below is required when calling for service)

Dealer [name / phone]:

Date of Purchase:

Model / Serial Number:

Midmark Authorized Service Company [name / phone]:

Model / Serial Number Location



MA706500i

Table of Contents

Important Information

<u>Safety Symbols</u>	4
<u>Warnings</u>	5
<u>Intended Use</u>	5
<u>Electrical Requirements</u>	5
<u>Electromagnetic Interference</u>	6
<u>Disposal of Equipment</u>	6
<u>Authorized EU Representative</u>	6
<u>Transportation / Storage Conditions</u>	6

Operation

<u>Back Section Positioning</u>	7
<u>Stirrups</u>	8
<u>Footrest & Treatment Pan</u>	9
<u>Footstep</u>	9
<u>Paper Roll & Tear Strap</u>	10
<u>Drawer Heater (optional)</u>	11
<u>Pelvic Tilt (optional)</u>	12
<u>Receptacle (optional)</u>	13
<u>Upholstery Heater (optional)</u>	14
<u>Exam Assistant® Drawer System</u>	15
<u>Reversing the Side Drawers</u>	16

Maintenance

<u>Cleaning</u>	17
<u>Preventative Maintenance</u>	17
<u>Calling For Service</u>	17

Specifications

<u>Weights & Dimensions</u>	18
<u>Voltage, Current, Frequency Ratings & Compliance Chart</u>	19

Warranty Information

<u>Limited Warranty</u>	20
-------------------------------	----

Important Information

Safety Symbols



Warning

Indicates a potentially hazardous situation which could result in serious injury.



Caution

Indicates a potentially hazardous situation which may result in minor or moderate injury. It may also be used to alert against unsafe practices.



Equipment Alert

Indicates a potentially hazardous situation which could result in equipment damage.

Note

Amplifies a procedure, practice, or condition.



Proper shipping orientation



Fragile



Type B, Applied Part
(Upholstery)



Protective earth ground



Patient Weight Limit



Manufacturer



Serial Number



Keep dry



Maximum stacking height
(**palletted** units)



Fuse rating specification



Dangerous voltage / shock hazard



Refer to manual



Catalogue Number

Warnings



Warning

To avoid injury, do not put head or extremities under the paper tear strap.



Warning

Connecting equipment to the multiple socket outlet effectively leads to creating a Medical Electrical System and the result can be a reduced level of safety.



Warning

Table must be positioned in normal use such that the power cords can be easily accessed to unplug.



Warning

To avoid risk of electric shock, this equipment must only be connected to a supply mains with protective earth.



Warning

Equipment is not suitable for use in the presence of a flammable anesthetic mixture.

Clarification: Equipment is suitable for use in the presence of oxygen, air, or nitrous oxide.



Warning

No modification of this equipment is allowed.

Intended Use

This product is intended to be used as a table to provide positioning and support of patients during examination procedures conducted by qualified medical professionals in an office environment.

Electrical Requirements



Caution

To completely isolate the table from electrical mains supply, both power cords must be unplugged.

When using high frequency surgical devices or endocardial catheters:

- Use non-conductive material to insulate patient from metal portions of the table.
- Consult operating instructions for the device before using in conjunction with drawer or upholstery heater.

Failure to comply may result in electric shock or burns to patient.

Electromagnetic Interference

This product is designed and built to minimize electromagnetic interference with other devices. However, if interference is noticed between another device and this product:

- Remove interfering device from room.
- Plug chair into an isolated circuit.
- Increase separation between chair and interfering device.
- Contact Midmark if interference persists.

Disposal of Equipment

At the end of product life, the table, accessories, and other consumable goods may become contaminated from normal use. Consult local codes and ordinances for proper disposal of equipment, accessories and other consumable goods.

Authorized EU Representative

Countries in the EU should direct all questions, incidents, and complaints to Midmark's Authorized EU representative listed below.

Newmed Srl.
Via Lenin 79/A
Quattro Castella (RE), 42020
Italy

Phone: +39.0522.875.166
Fax: +39.0522.243.096

Transportation / Storage Conditions

Ambient Temperature Range:.....-5°C to +38°C (+23°F to 100°F)
Relative Humidity.....10% to 90% (non-condensing)
Atmospheric Pressure500hPa to 1060hPa (0.49atm to 1.05atm)

Operation

Back Section Positioning

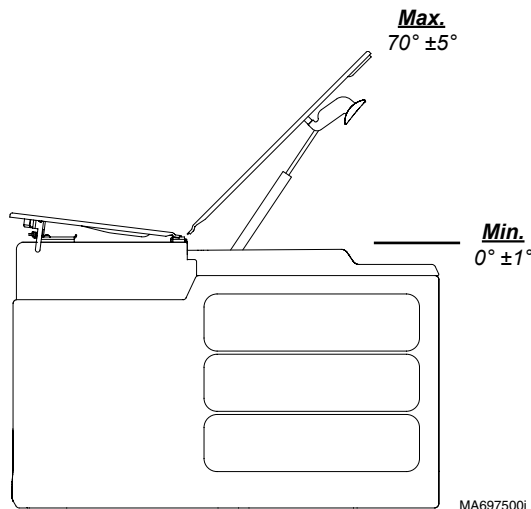
To position the back section...

- A) While holding the back section in place, squeeze the Back Release Handle (either side).
- B) Move the back section to desired position.
- C) Release handle to lock back section in position.



Back Release Handle

MA696700p



Stirrups

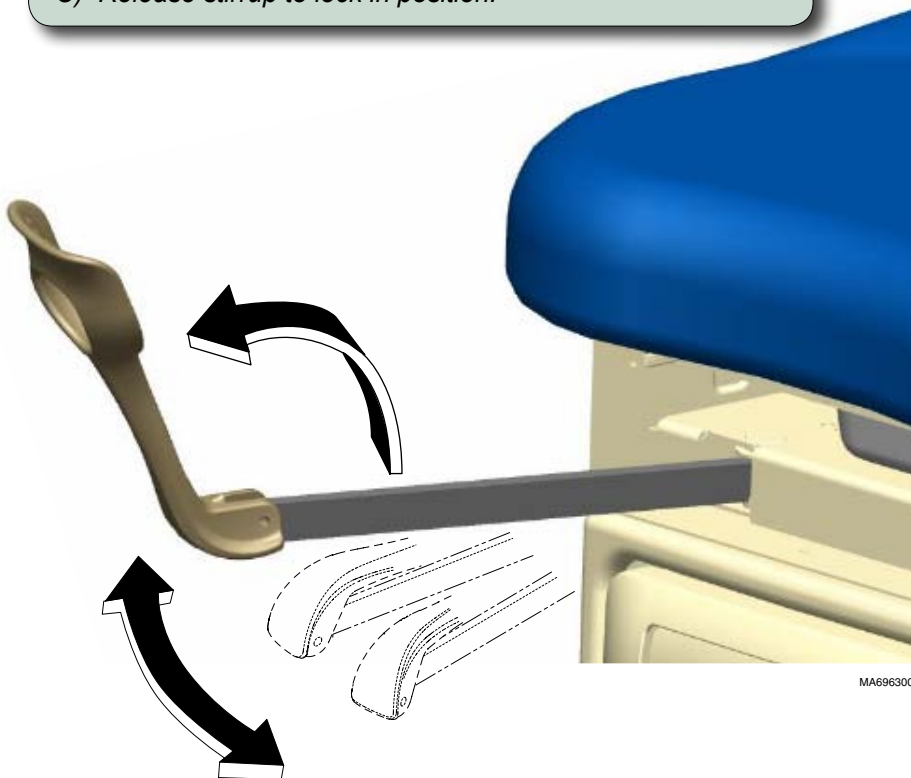


Caution

*Be sure the stirrups are locked in place before using.
The stirrups will not support the patient's entire weight.*

To position the stirrups...

- A) *Pull the stirrup out, then unfold.*
- B) *Lift the stirrup slightly, then move it left or right as desired.*
- C) *Release stirrup to lock in position.*



MA696300i

Footrest & Treatment Pan



Caution

Do not use footrest to support patient's entire weight.

To access the treatment pan...

Lift footrest pad slightly, then slide pad back into table.



To extend footrest...

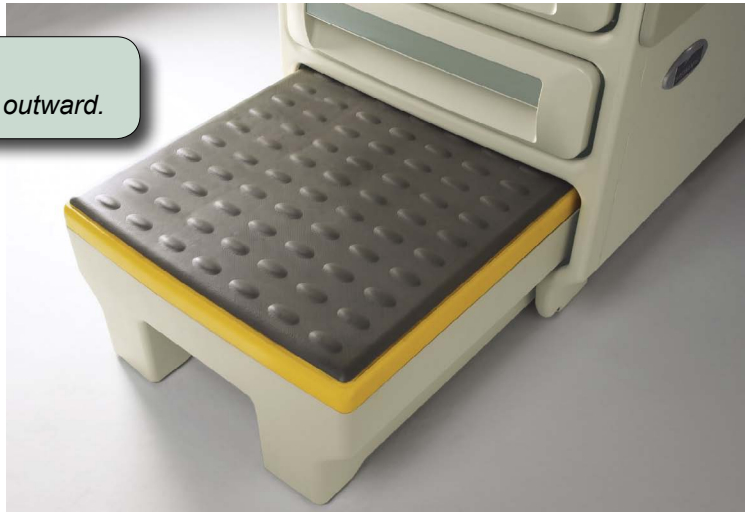
Pull footrest out to desired position.

MA696401p

Footstep

To access the footstep...

Lift footstep slightly, then pull outward.



MA696600i

Paper Roll & Tear Strap

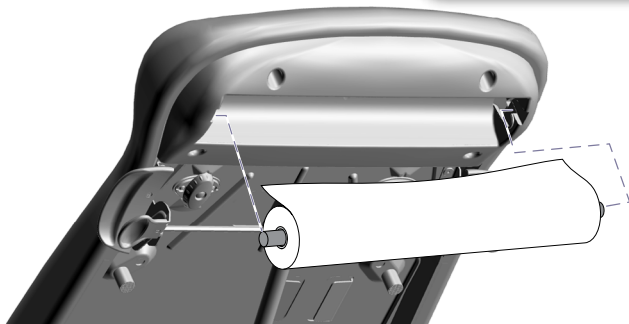
Note

Up to four paper rolls may be stored under the back section.

Paper Roll Size (max.):.....21 in. wide x 3.5 in. diameter
(53 cm x 9 cm)

To install the paper roll...

Insert rod into sockets under head end of upholstery.



To install the paper tear strap...

Attach strap to snaps on each side of table.



MA696800i

Drawer Heater (optional)

Note

The drawer heater switch illuminates when heater is ON (I).

The drawer heater warms the contents of the drawer to approximately 98°F (37°C).



***To turn the drawer heater ON/OFF..
Press the drawer heater button.***



Drawer Heater Button (white)

MA697000p

Pelvic Tilt (optional)

To elevate seat section...

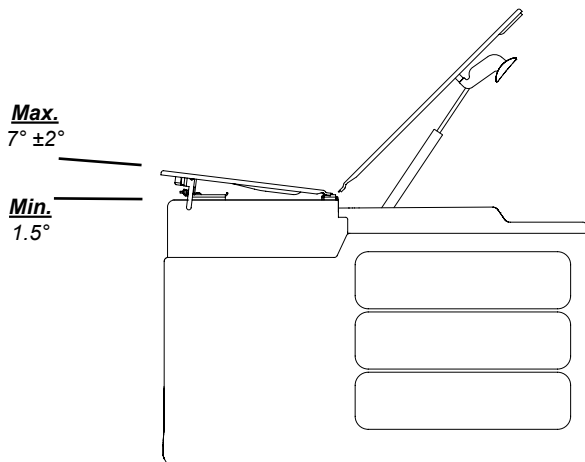
Lift seat until pelvic support drops into place.



To return to flat position...

- A) Lift seat section slightly.
- B) Pivot trigger handle upward.
- C) Lower seat section.

MA702300i



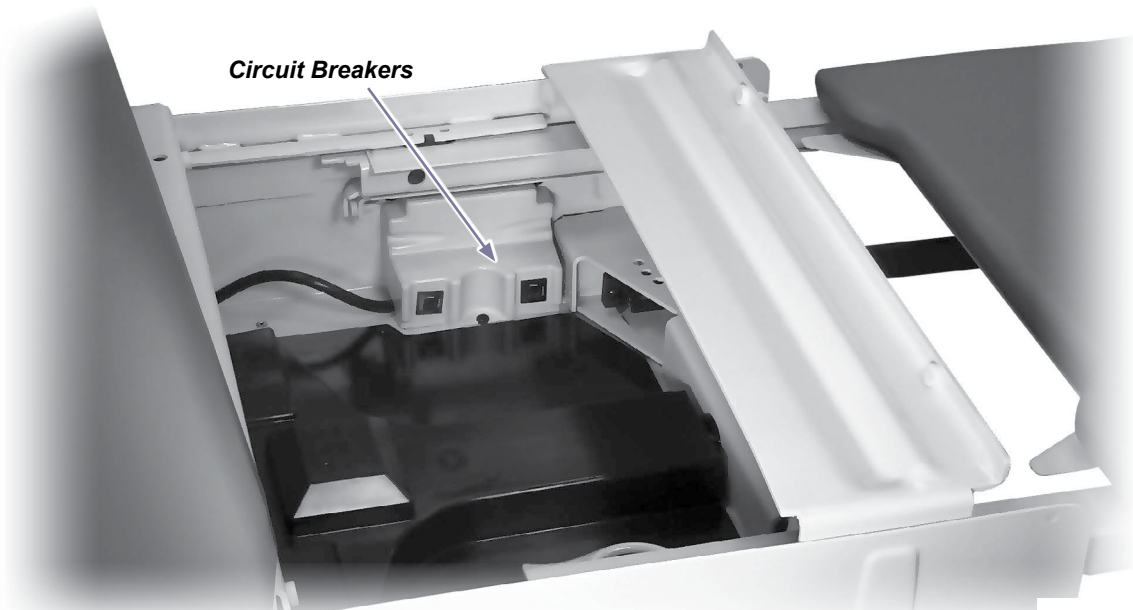
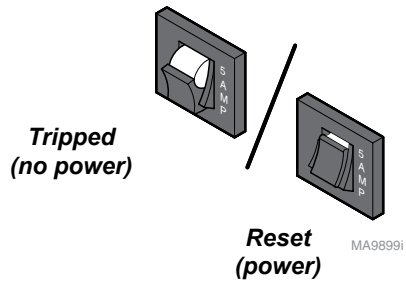
MA697500i

Receptacle (optional)

The duplex receptacle on the side of the table, provides power for accessories used during medical procedures. There are two circuit breakers located under the seat section. If the receptacle's maximum load is exceeded, the circuit breakers interrupt power to the receptacle.

Maximum Load 5 amps

To reset circuit breaker(s)...
Push the circuit breaker toggle switch.



MA9894p

Upholstery Heater (optional)

To turn upholstery heater ON / OFF...

Press the upholstery heater button.

Note: The upholstery heater will ...

- reach operating temp. in 15 - 20 minutes.
- automatically shut off after 8 hours.

Note

The upholstery heater button illuminates when heater is ON (I).



Upholstery Heater Button (green)



MA697000p



Equipment Alert

The maximum power loading of the heating element is 45 W, and should only be powered by the connection provided.

If the heated upholstery is punctured, it must be repaired or replaced to ensure proper operation.

Exam Assistant® Drawer System

To use the drawer front as a shelf...

Pull drawer front down to release magnetic latch.

If drawer front folds past horizontal...

Pull drawer front upward until it snaps back into the horizontal position.



MA7045001

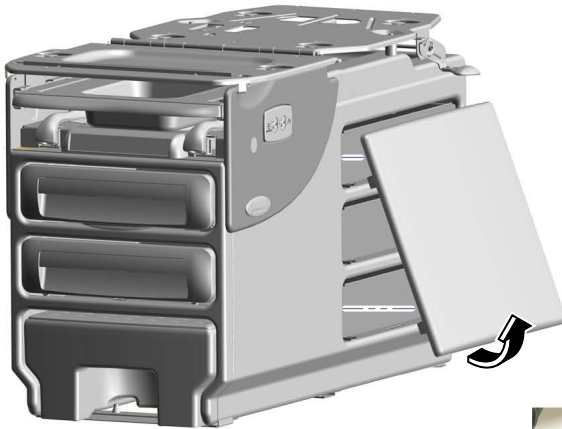


Equipment Alert

The maximum weight the shelf will support is 10 lbs (4.5 kgs).

Reversing the Side Drawers

The side drawers can be reversed so that they open from the opposite side of the table.



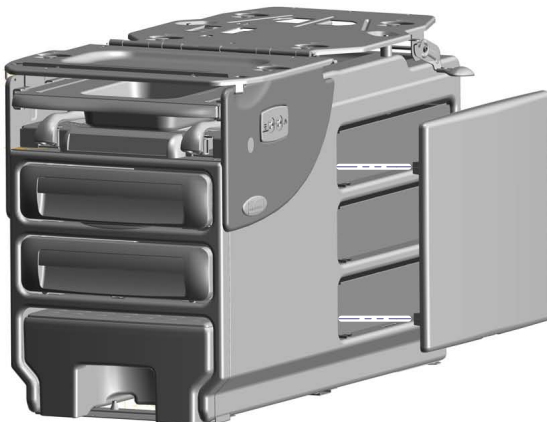
Step 1: Remove side panel.
(Pull panel out from the bottom)

Step 2: Remove drawer fronts.
(Pull tabs down to release)

Tabs



Step 3: Install drawer fronts on opposite side of table.



Step 4: Install side panel on opposite side of table.
(Align panel, then push straight in)

MA705400i

Maintenance

Cleaning

Upholstery

Wash your upholstery weekly with a mild liquid soap and water mixture, rinse with clear water and dry completely to remove disinfection cleaner build-up.

Disinfect your upholstery with a solution of standard bleach and water mixed 1 in 10 (10%) or chlorine based cleaners. Follow this with a clear water rinse and thorough drying of material. See current CDC Guideline for Disinfection & Sterilization in Healthcare Facilities.

To minimize damage caused by disinfectant cleaner residue build-up, do not allow disinfectants to pool on the upholstery surface. Once the approved contact time has been obtained, remove and dry excess liquid remaining on the surface.

Detailed care and maintenance instructions are included with your product. This information is also available on www.midmark.com in the Technical library under the User Information tab for your product.

Painted Metal / Plastic Surfaces

Clean the painted metal and plastic surfaces weekly using a clean soft cloth, and mild cleaner.

Preventative Maintenance

Periodically inspect the following areas:

- Power cord should be free of cuts or other visible damage.
- All fasteners should be present and tightened securely.
- All mechanical functions should operate properly.

Have a qualified service technician inspect your table every six months.

Calling For Service

If service is required, contact your authorized Midmark dealer.

To contact Midmark directly:

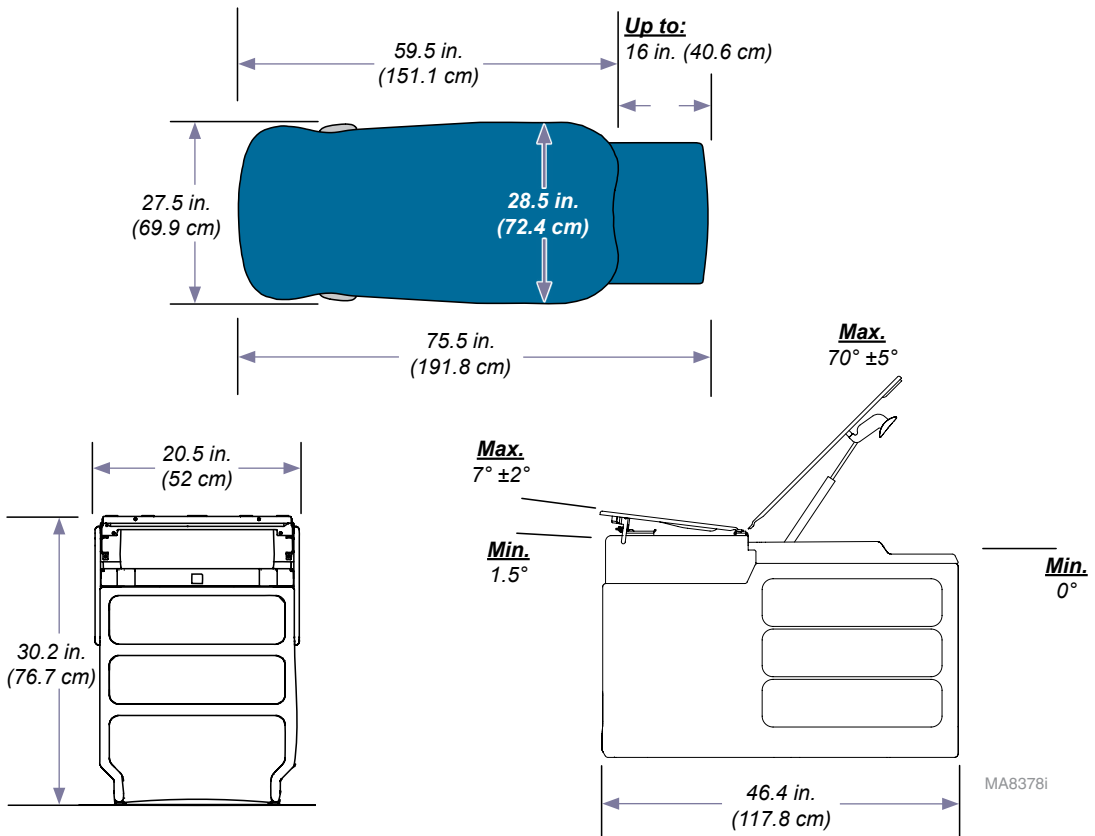
1-800-MIDMARK (1-800-643-6275)

8:00 am until 5:00 pm Monday - Friday (EST) [excluding standard U.S. holidays]

Specifications

Weights & Dimensions

Maximum Patient Weight:	500 lbs (226 kg)
Paper Roll (maximum size):	(See Paper Roll & Tear Straps page)
Range of Motion & Dimensions:	(See illustration below)
Weight of Table:	220 lbs (99.8 kg)
Power Cord:	6 ft. (1.8 m) long



Specifications *(continued)*

Voltage, Current, Frequency Ratings & Compliance Chart

Model	Description	Electrical Ratings:					
		ES 60601-1	CAN / CSA C22.2, 60601-1	CE	VAC +/- 10%	Amps	Cycles (Hz)
604-001	Midmark Exam Table w/ Receptacle	•	•		115	5	50/60
604-002	Midmark Exam Table w/ Receptacle, Pelvic Tilt, & Drawer Heater	•	•		115	5.5	50/60
604-003	Midmark Exam Table w/ Receptacle, Pelvic Tilt, Drawer Heater, & Heated Upholstery	•	•		115	6.5	50/60
604-004	Midmark Exam Table - Export w/ Pelvic Tilt	•	•	•	-	-	-
604-005	Midmark Exam Table - Export w/ Receptacle & Pelvic Tilt	•	•	•	230	5	50/60

Warranty Information

SCOPE OF WARRANTY Midmark Corporation ("Midmark") warrants to the original retail purchaser that it will, at Midmark's option, repair or replace components of the domestic and international medical products manufactured by Midmark (except for components not warranted under "Exclusions") that are defective in material or workmanship under normal use and service. The sole remedy under this limited warranty is the repair or replacement, at Midmark's option, of the applicable components. This limited warranty shall only apply to defects that are reported to Midmark within the applicable warranty period and which are determined to exist upon examination by Midmark. This warranty extends only to the original retail purchaser of a product and is not transferable or assignable. Replacement components or products may be used and/or refurbished components or products, provided they are of like quality and specifications as new components or products.

Midmark warrants to the original retail purchaser that during the applicable warranty period it will repair or replace software contained within the products manufactured by Midmark (except for those not warranted under "Exclusions") if: (1) the media on which the software is furnished exhibits defects in material or workmanship under normal use; or (2) the software does not substantially conform to its published specifications.

APPLICABLE WARRANTY PERIOD The applicable warranty period, measured from the date of invoice to the original retail purchaser of the product and shall be one (1) year for all warranted products and components.

OBTAINING WARRANTY SERVICE Warranty service must be obtained through either Midmark or an authorized dealer in the Midmark product line for which warranty service is requested. Midmark may be contacted for warranty service inquiries or issues via email at www.midmark.com; by phone at 1-800-MIDMARK or by mail to Midmark Corporation, 60 Vista Drive, Versailles, Ohio 45380. It is the retail purchaser's obligation to arrange for delivery of a product to Midmark or one of its authorized dealers for warranty service, which delivery shall be at retail purchaser's expense. It is also the retail purchaser's obligation to comply with the warranty service instructions provided either by Midmark or its authorized dealer. The retail purchaser must provide Midmark with completed warranty registration information within thirty (30) days after purchase in order to obtain the benefits of this limited warranty.

EXCLUSIONS: This limited warranty does not cover and Midmark shall not be liable for the following:

- (1) Defects, damage or other conditions caused, in whole or in part, by misuse, abuse, negligence, alteration, accident, freight damage, negligent storage, tampering or failure to seek and obtain repair or replacement in a timely manner;
- (2) Products which are not installed, used, and properly cleaned and maintained as required or recommended in the Midmark "Installation" and/or "Installation/Operation Manual" for the applicable product, including the specified structural and operational environmental conditions and electrical requirements;
- (3) Products considered to be of a consumable or sterile nature;
- (4) Accessories or parts not manufactured by Midmark;
- (5) Charges by anyone for adjustments, repairs, replacement parts, installation or other work performed upon or in connection with such products which are not expressly authorized in writing in advance by Midmark;
- (6) Costs and expenses of routine maintenance and cleaning; and
- (7) Representations and warranties made by any person or entity other than Midmark.
- (8) Matching of color, grain or texture except to commercially acceptable standards;
- (9) Changes in color caused by natural or artificial light;
- (10) Custom manufactured products;
- (11) Alterations or modifications to the product by any person or entity other than Midmark; and
- (12) Products that would otherwise be covered under this limited warranty, but are acquired: (i) from a person or entity that is not Midmark or one of its authorized dealers; or (ii) from a Midmark dealer that is not authorized to sell the product at issue in the geographic territory where the purchaser is located, or is not authorized to sell the product at issue within the medical market.

SOFTWARE; WITH RESPECT TO SOFTWARE THAT IS A PRODUCT OR COMPONENT THEREOF, MIDMARK DOES NOT WARRANT THAT THE SOFTWARE: (1) IS ERROR FREE; (2) CAN BE USED WITHOUT PROBLEMS OR INTERRUPTIONS; OR (3) IS FREE FROM VULNERABILITY TO INTRUSION OR ATTACK BY VIRUSES OR OTHER METHODS.

EXCLUSIVE REMEDY; CONSEQUENTIAL DAMAGES DISCLAIMER MIDMARK'S ONLY OBLIGATION UNDER THIS LIMITED WARRANTY IS THE REPAIR OR REPLACEMENT OF DEFECTIVE PARTS. MIDMARK SHALL NOT BE LIABLE FOR AND HEREBY DISCLAIMS ANY DIRECT, SPECIAL, INDIRECT, INCIDENTAL, EXEMPLARY OR CONSEQUENTIAL DAMAGES OR DELAYS, INCLUDING, BUT NOT LIMITED TO, DAMAGES FOR LOSS OF PROFITS OR INCOME, LOSS OF USE, LOSS OF DATA, DOWNTIME, COVER AND EMPLOYEE OR INDEPENDENT CONTRACTOR WAGES, PAYMENTS AND BENEFITS. THIS DISCLAIMER SHALL SURVIVE ANY FAILURE OR ASSERTED FAILURE OF THE ESSENTIAL PURPOSE OF THIS LIMITED WARRANTY OR ITS REMEDIES SPECIFIED HEREIN. WARRANTY DISCLAIMER THIS WARRANTY IS MIDMARK'S ONLY WARRANTY AND IS IN LIEU OF ALL OTHER WARRANTIES, EXPRESS OR IMPLIED. MIDMARK MAKES NO IMPLIED WARRANTIES OF ANY KIND INCLUDING ANY IMPLIED WARRANTIES OF MERCHANTABILITY OR FITNESS FOR A PARTICULAR PURPOSE. THIS WARRANTY IS LIMITED TO THE REPAIR OR REPLACEMENT OF DEFECTIVE PARTS.

STATUTE OF LIMITATIONS No action may be brought against Midmark for breach of this limited warranty, an implied warranty, if any, or for any other claim arising out of or relating to the products, more than ninety (90) days following expiration of the limited warranty period.

NO AUTHORIZATION No person or firm is authorized to create or approve for Midmark any other obligation or liability in connection with the products.

Notes:

Midmark Corporation
60 Vista Drive
Versailles, OH 45380
Phone: 937-526-3662
Fax: 937-526-5542

www.midmark.com



MIDMARK®

Camilla manual para exploración

[English](#)

[Español](#)

[Français](#)

Para los modelos:
604 (todos)



MA706600i



Consulte la tabla de
cumplimiento
de este manual.

Guía del usuario

Información del producto

(La siguiente información es necesaria al llamar para solicitar mantenimiento)

Distribuidor [nombre / teléfono]:

Fecha de compra:

Modelo / Número de serie:

Servicio técnico autorizado por Midmark [nombre / teléfono]:



Índice

Información importante

<u>Símbolos de seguridad</u>	4
<u>Advertencias</u>	5
<u>Uso indicado</u>	5
<u>Requisitos eléctricos</u>	5
<u>Interferencia electromagnética</u>	6
<u>Eliminación de equipos</u>	6
<u>Representante autorizado para la CE</u>	6
<u>Condiciones de transporte y almacenamiento</u>	6

Funcionamiento

<u>Colocación de la sección del respaldo</u>	7
<u>Estribos</u>	8
<u>Bandeja de tratamiento y reposapiés</u>	9
<u>Reposapiés</u>	9
<u>Rollo de papel y cintas</u>	10
<u>Calentador del cajón (opcional)</u>	11
<u>Inclinación pélvica (opcional)</u>	12
<u>Tomacorriente (opcional)</u>	13
<u>Calentador de la tapicería (opcional)</u>	14
<u>Sistema de cajones Exam Assistant®</u>	15
<u>Inversión de los cajones laterales</u>	16

Mantenimiento

<u>Limpieza</u>	17
<u>Mantenimiento preventivo</u>	17
<u>Cómo contactar con el Servicio Técnico</u>	17

Especificaciones

<u>Pesos y dimensiones</u>	18
<u>Voltaje, corriente, frecuencia y cuadro de conformidad</u>	19

Garantía

<u>Alcance De La Garantía</u>	20
---	----

Información importante

Símbolos de seguridad



Advertencia

Indica una situación potencialmente peligrosa que podría ocasionar lesiones graves.



Precaución

Indica una situación potencialmente peligrosa que puede ocasionar lesiones leves o moderadas. También puede usarse para alertar contra prácticas peligrosas.



Alerta del equipo

Indica una situación potencialmente peligrosa que podría provocar daños en el equipo.

Nota

Desarrolla un procedimiento, una práctica o una condición.



Indica la orientación correcta para el transporte



Frágil



Tipo B, pieza aplicada (tapicería)



Toma de tierra protectora



Límite de peso del paciente



Fabricante



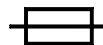
Número de serie



Mantener seco



Altura máxima de apilamiento (**unidades** almacenadas)



Especificación nominal del fusible



Voltaje peligroso / peligro de descarga eléctrica



Consultar el manual



Número del catálogo

Advertencias



Advertencia

Para evitar lesiones, no coloque la cabeza ni las extremidades debajo de la cinta..



Advertencia

Al conectar el equipo a una toma con enchufes múltiples se crea un sistema médico eléctrico de hecho que puede tener como consecuencia una reducción del nivel de seguridad.



Advertencia

La camilla, en uso normal, se debe ubicar de tal forma que se pueda acceder con facilidad a los cables de alimentación para desenchufarlos.



Advertencia

Para evitar riesgo de descarga eléctrica, este equipo debe conectarse únicamente a enchufes provistos de toma a tierra.



Advertencia

El equipo **no** se debe usar en presencia de mezclas anestésicas inflamables que contengan oxígeno, aire, u óxido nítrico.

Aclaración: el equipo puede utilizarse en presencia de oxígeno, aire u óxido nítrico.



Advertencia

No se permite la modificación de este equipo.

Uso indicado

Este producto está diseñado para ser utilizado como camilla, para proporcionar apoyo y mantener a los pacientes en posición durante los procedimientos de reconocimiento realizados por profesionales médicos cualificados en un entorno de oficina.

Requisitos eléctricos



Precaución

Para aislar completamente la camilla de la red eléctrica principal, ambos cables de alimentación deben estar desenchufados.

Cuando se utilicen dispositivos quirúrgicos de alta frecuencia o catéteres intracardíacos:

- Utilice un material no conductor para aislar al paciente de las partes metálicas de la camilla.
- Consulte las instrucciones de funcionamiento del dispositivo antes de utilizarlo con los calentadores del cajón o de la tapicería.

De lo contrario, el paciente puede sufrir una descarga eléctrica o una quemadura.

Interferencia electromagnética

Este producto se ha diseñado y construido para reducir al mínimo la interferencia electromagnética con otros dispositivos.

Sin embargo, si detecta interferencias entre este producto y otros dispositivos:

- Saque de la habitación el dispositivo que cause interferencia.
- Enchufe el sillón en un circuito aislado.
- Aumente la separación entre el sillón y el dispositivo que cause interferencia.
- Póngase en contacto con Midmark si persiste la interferencia.

Eliminación de equipos

Al final del ciclo de vida del producto, tanto la camilla como sus accesorios y otros consumibles podrían estar contaminados por efecto de su uso habitual. Consulte la normativa local para la correcta eliminación de equipos, accesorios y otros productos fungibles.

Representante autorizado para la CE

Los países pertenecientes a la EU deben dirigir todas sus preguntas, incidentes y quejas al representante autorizado para la EU de Midmark que se indica enseguida:

Newmed Srl.
Via Lenin 79/A
Quattro Castella (RE), 42020
Italia

Teléfono: +39 0522875166
Fax: +39 0522243096

Condiciones de transporte y almacenamiento

Rango de temperatura ambiente:.....de -5 °C a 38 °C (23 °F a 100 °F)
Humedad relativaDe 10% a 90% (sin condensación)
Presión atmosférica.....500 hPa a 1060 hPa (0,49 atm a 1,05 atm)

Funcionamiento

Colocación de la sección del respaldo

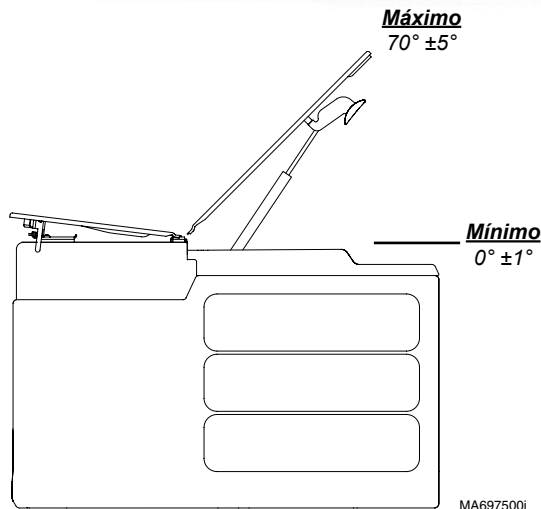
Para colocar la sección del respaldo...

- A) Mientras sostiene la sección del respaldo en su sitio, apriete la manija de liberación del respaldo (a cualquier lado).
- B) Mueva la sección del respaldo a la posición deseada.
- C) Libere la manija para fijar la sección del respaldo en su sitio.



Manija de liberación del respaldo

MA696700p



Estribos



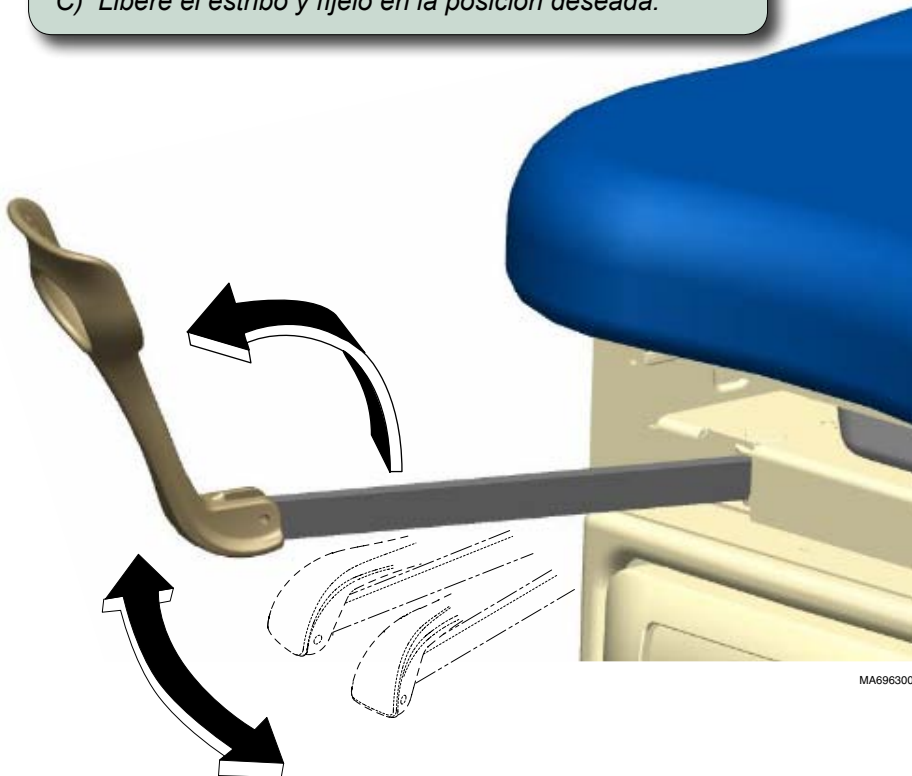
Precaución

Asegúrese de los estribos estén bloqueados en su posición antes de usar la camilla.

Los estribos no están diseñados para soportar todo el peso del paciente.

Para colocar los estribos...

- A) Saque los estribos y despliéuelos.
- B) Eleve ligeramente el estribo y muévelo hacia la izquierda o hacia la derecha, como lo desee.
- C) Libere el estribo y fíjelo en la posición deseada.



Bandeja de tratamiento y reposapiés



Precaución

No use el reposapiés para soportar todo el peso del paciente.

Para acceder a la bandeja de tratamiento...

Eleve ligeramente la almohadilla del reposapiés y deslícela hacia el interior de la camilla.



MA696401p

Para extender el reposapiés...

Tire del reposapiés hacia fuera hasta la posición deseada.

Reposapiés

Para acceder al reposapiés...

Eleve ligeramente el reposapiés y tire de él hacia afuera.



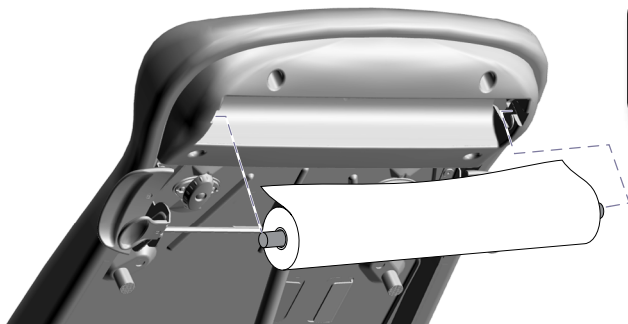
MA696600i

Rollo de papel y cintas

Nota

Bajo la sección del respaldo se pueden almacenar hasta cuatro rollos de papel.

Tamaño de rollo de papel (máx.):53 cm de ancho x 9 cm de diámetro
(21 in. x 3.5 in.)



Para instalar el rollo de papel...
Inserte la barra debajo del extremo de la cabecera de la tapicería.

Para instalar la cinta...

Coloque la cinta de modo que se enganche a ambos lados de la camilla.



MA696800i

Calentador del cajón (opcional)

Nota

El interruptor del calentador del cajón se ilumina cuando está encendido (ON I).

El calentador del cajón calienta el contenido del cajón a una temperatura de aproximadamente 37 °C (98 °F)



Para encender y apagar el calentador de cajón...

Pulse el botón del calentador del cajón.



Botón del calentador del cajón (blanco)

Inclinación pélvica (opcional)

Para elevar la sección del asiento...
Eleve el asiento hasta que el soporte pélvico
esté en su sitio.



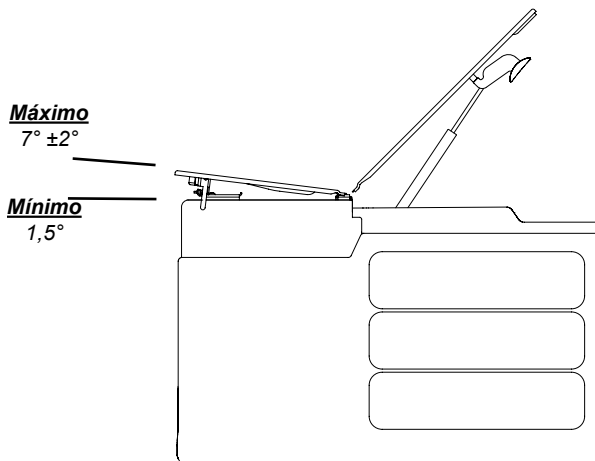
**Manija de
accionamiento**

Soporte pélvico

**Para volver a la posición
horizontal...**

- A) Levante ligeramente la sección del asiento.
- B) Haga girar hacia arriba la manija de accionamiento.
- C) Baje la sección del asiento.

MA702300i



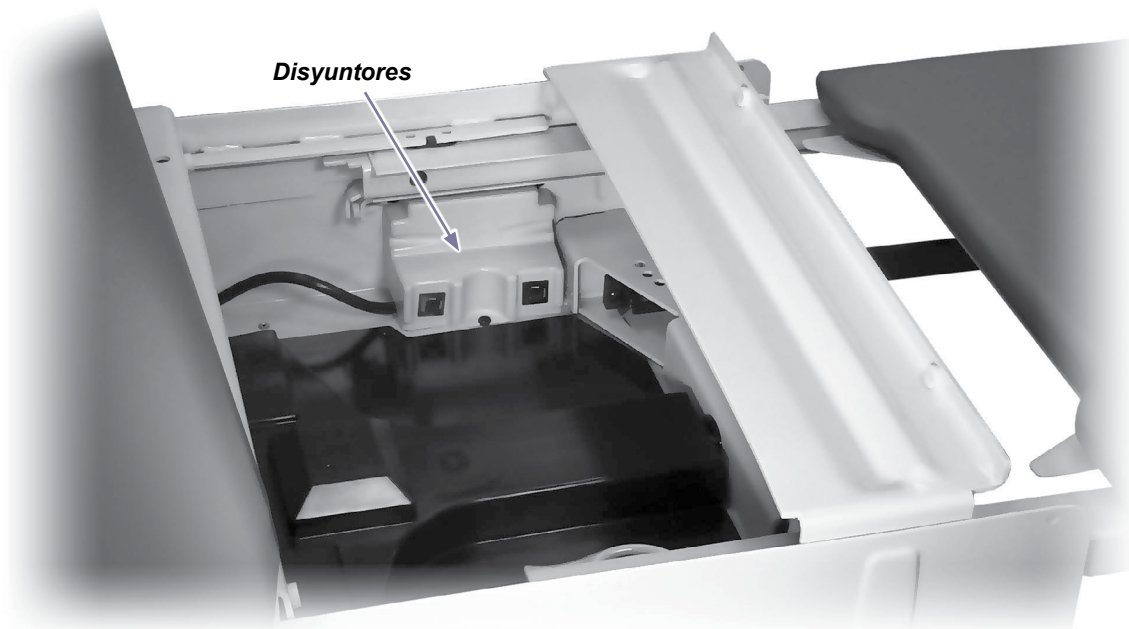
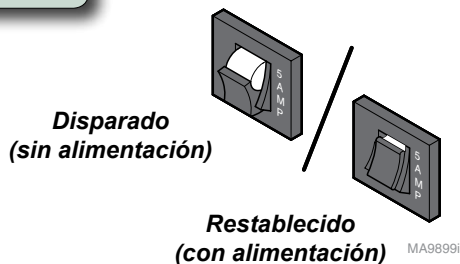
MA697500i

Tomacorriente (opcional)

El tomacorriente doble del lateral de la camilla proporciona alimentación a los accesorios que se utilizan durante los procedimientos médicos. Hay dos disyuntores situados debajo de la sección del asiento. Si se supera la carga máxima del tomacorriente, los disyuntores interrumpirán la alimentación.

Carga máxima 5 A

Para volver a activar el o los disyuntores...
Pulse el interruptor del disyuntor.



MA9894p

Calentador de la tapicería (opcional)

Para encender y apagar el calentador de la tapicería...

Pulse el botón del calentador de la tapicería.

Nota: El calentador de la tapicería...

- alcanzará la temperatura de funcionamiento en 15 - 20 minutos.
- se apagará automáticamente después de ocho horas.

Nota

El interruptor del calentador de la tapicería se ilumina cuando está encendido (ON I).



Botón del calentador de la tapicería (verde)



MA697000p



Alerta del equipo

La potencia máxima del elemento calefactor es de 45 W, y debe alimentarse únicamente a través de la conexión suministrada.

Si se perfora la tapicería térmica debe repararse o sustituirse para garantizar un funcionamiento correcto.

Sistema de cajones Exam Assistant®

Para usar el frente del cajón como repisa...

Tire del frente del cajón hacia abajo para soltar el cierre magnético.

Si el frente del cajón se dobla más allá de la posición horizontal...

Tire del frente del cajón hacia arriba hasta que se trabe en la posición horizontal.



MA7045001

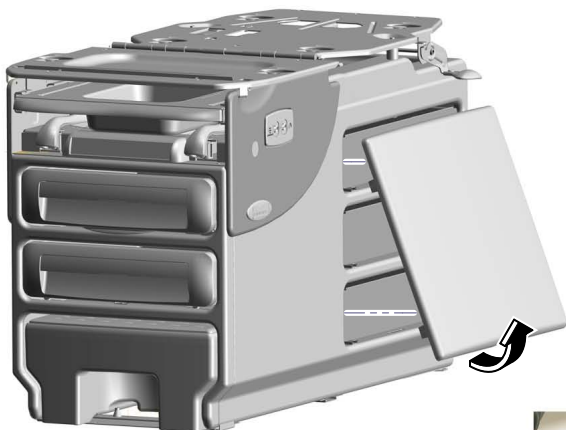


Alerta del equipo

El peso máximo que puede soportar la repisa es 4,5 kg (10 libras).

Inversión de los cajones laterales

Los cajones laterales se pueden invertir para poderlos abrir desde el lado opuesto de la camilla.



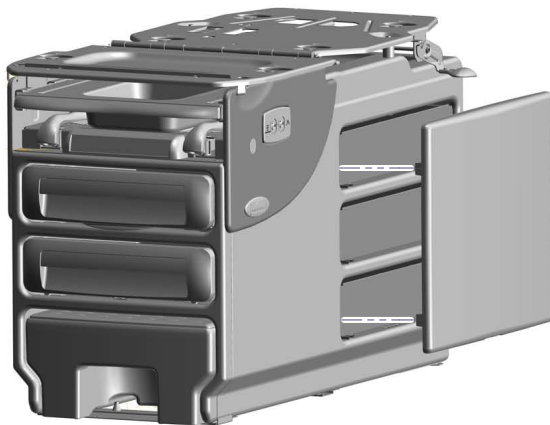
Paso 1: Retire el panel lateral.
(Tire del panel hacia afuera desde abajo)

Paso 2: Retire los frentes de los cajones.
(Tire hacia abajo de las lengüetas para liberarlos)

Lengüetas



Paso 3: Instale los frentes de los cajones en el lado opuesto de la camilla.



Paso 4: Instale el panel lateral en el lado opuesto de la camilla.
(Alinee el panel y empújelo directamente)

MA705400i

Mantenimiento

Limpieza

Tapizado



Alerta del equipo

El tapizado es resistente a la mayoría de las manchas que pueden producirse con el uso médico, pero puede dañarse si se derraman tintes o disolventes sobre él. Debe secar inmediatamente los líquidos que se derramen sobre el tapizado.

Lave la tapicería semanalmente con un jabón líquido suave y mezcla de agua, enjuague con agua limpia y secar completamente para eliminar filtro desinfección.

Desinfectar el tapizado con una solución de lejía y agua mezclado 1 en 10 (10%) o limpiadores con cloro. Siga esto con un enjuague de agua clara y el secado minucioso de los materiales. Ver actual CDC directriz para la desinfección y esterilización en centros sanitarios.

Para reducir al mínimo los daños causados por limpiador desinfectante acumulación de residuos, no se debe permitir que los desinfectantes de piscina de la tapicería. Una vez aprobado el tiempo de contacto se ha obtenido, extraer y secar el exceso de líquido en la superficie.

Con el producto se incluyen instrucciones detalladas de conservación y mantenimiento. Esta información también está disponible en www.midmark.com, concretamente en la biblioteca técnica situada en el apartado "Documentación" del producto en cuestión.

Metal pintado / Superficies plásticas

Limpie el metal pintado y las superficies plásticas una vez por semana con un paño suave y limpio y utilice un producto de limpieza no abrasivo.

Mantenimiento preventivo

Inspeccione periódicamente las áreas siguientes:

- El cable de alimentación no debe mostrar cortes ni otros daños visibles.
- Todos los sujetadores deben estar en su sitio y bien apretados.
- Todas las funciones mecánicas deben operar debidamente.

Haga revisar su equipo por un técnico de mantenimiento autorizado cada seis meses.

Cómo contactar con el Servicio Técnico

Nota

Cuando llame para solicitar asistencia técnica deberá indicar el modelo/número de serie.

Si necesita asistencia técnica, póngase en contacto con su distribuidor autorizado de Midmark.

Para ponerse en contacto con Midmark directamente llame a:

+1-937-526-3662

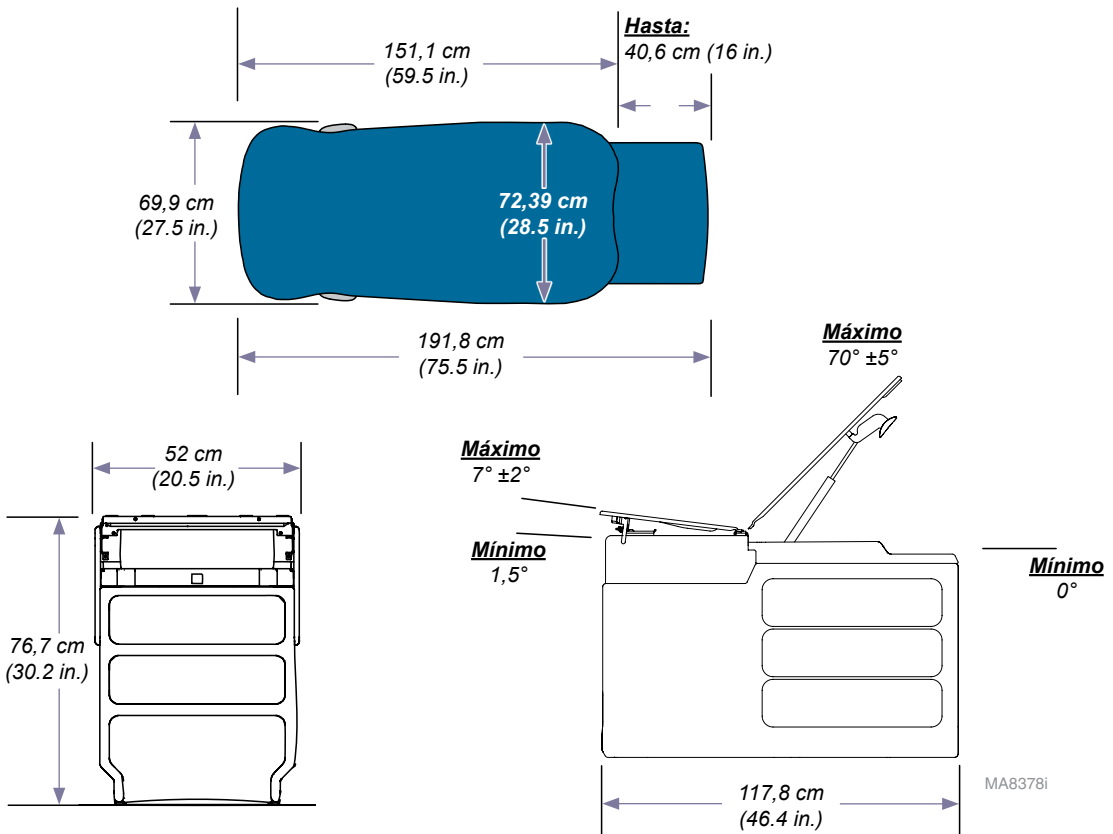
de 8:00 a 17:00 de lunes a viernes

www.midmark.com

Especificaciones

Pesos y dimensiones

Peso del paciente (máximo):	226 kg (500 lbs)
Rollo del papel (tamaño máximo):	(Consulte la página Rollo de papel y cinta)
Límites de movimiento y dimensiones:	(Ver la siguiente figura)
Peso de la camilla:	99,8 kg (220 lbs)
Cable de alimentación:	1,8 m de largo (6 ft.)



Especificaciones (continuación)

Voltaje, corriente, frecuencia y cuadro de conformidad

Modelo	Descripción	Clasificaciones eléctricas:					
		ES 60601-1	CAN / CSA C22.2, 60601-1	CE			
		V de CA +/- 10 %	Ampe- rios	Ciclos (Hz)			
604-001	Camilla de exploración Midmark con tomacorriente	•	•		115	5	50/60
604-002	Camilla de exploración Midmark con tomacorriente, inclinación pélvica, y calentador de cajones	•	•		115	5,5	50/60
604-003	Camilla de exploración Midmark con tomacorriente, inclinación pélvica, calentador de cajones y tapicería térmica	•	•		115	6,5	50/60
604-004	Camilla de exploración Midmark - para exportación con inclinación pélvica	•	•	•	-	-	-
604-005	Camilla de exploración Midmark - para exportación con tomacorriente e inclinación pélvica	•	•	•	230	5	50/60

Información sobre la garantía

COBERTURA DE LA GARANTÍA. Midmark Corporation («Midmark») garantiza al comprador minorista original que reparará o reemplazará, a discreción de Midmark, los componentes de los productos médicos nacionales e internacionales fabricados por Midmark (excepto los componentes no garantizados en «Exclusiones») que contengan materiales defectuosos o fallos de mano de obra en condiciones normales de uso y servicio. La responsabilidad única en virtud de esta garantía limitada es a la reparación o la sustitución, a discreción de Midmark, de los componentes aplicables. Esta garantía limitada solo se aplicará a los defectos que se notifiquen a Midmark dentro del período de garantía y cuya existencia se llega a determinar tras un examen efectuado por Midmark. Esta garantía se expide únicamente al comprador minorista original de un producto y no es transferible ni asignable. Se pueden utilizar componentes o productos de repuesto o reformados, siempre y cuando tengan la misma calidad y especificaciones que los componentes y productos nuevos.

Midmark garantiza al comprador minorista original que, durante el período de garantía, reparará o reemplazará el software contenido en los productos fabricados por Midmark (excepto los que no estén garantizados en «Exclusiones») si: (1) los formatos en los que se proporciona el software muestran materiales defectuosos o fallos de mano de obra en condiciones normales de uso y servicio; o (2) el software no se ajusta sustancialmente a las especificaciones publicadas.

PERÍODO DE LA GARANTÍA El período de validez de la garantía de todos los productos y componentes es de un (1) año a partir de la fecha de facturación al comprador minorista original del producto.

OBTENCIÓN DEL SERVICIO DE GARANTÍA El servicio de garantía debe obtenerse a través de un distribuidor de Midmark o un distribuidor autorizado por Midmark en la línea de productos para la que se solicita el servicio de garantía. Puede contactar con Midmark para consultarle dudas o problemas sobre el servicio de garantía por correo electrónico en www.midmark.com, por teléfono al +1-937-526-3662 o por correo postal a Midmark Corporation, 60 Vista Drive, Versailles, Ohio 45380. Es obligación del comprador minorista organizar la entrega de un producto a Midmark o a uno de sus distribuidores autorizados para el servicio de garantía, la cual correrá a cargo del comprador. También es obligación del comprador minorista cumplir las instrucciones de servicio de garantía proporcionadas, ya sea por Midmark o por su distribuidor autorizado. El comprador minorista debe suministrar a Midmark la información de registro de la garantía completada en un plazo de treinta (30) días después de la compra con el fin de obtener los beneficios de esta garantía limitada.

EXCLUSIONES: Esta garantía limitada no cubre (y Midmark no es responsable de) lo siguiente:

- (1) Defectos, daños u otras condiciones causadas, en su totalidad o en parte, por el mal uso, abuso, negligencia, alteración, accidente, daños durante el transporte, almacenamiento negligente, manipulación o incapacidad de solicitar y lograr la reparación o la sustitución dentro del plazo estipulado;
- (2) Productos que no se hayan instalado, utilizado o limpiado y mantenido adecuadamente tal y como se indica o se recomienda en la «Instalación» de Midmark y/o el «Manual de instalación/uso» del producto en cuestión, incluidas las condiciones de entorno estructural y operativo y los requisitos de alimentación eléctrica;
- (3) Productos considerados de naturaleza consumible o estéril;
- (4) Accesorios o piezas no fabricados por Midmark;
- (5) Facturas de terceros en concepto de ajustes, reparaciones, piezas de recambio, instalaciones o cualquier otra modificación del producto, o relacionada con el mismo, que se hayan realizado sin la autorización previa por escrito de Midmark;
- (6) Costes y gastos de mantenimiento y limpieza rutinarios; y
- (7) Declaraciones y garantías hechas por cualquier persona o entidad que no sea Midmark.
- (8) Coincidencia de color, grano o textura, a excepción de las normas comercialmente aceptables;
- (9) Cambios en el color causados por la luz natural o artificial;
- (10) Productos fabricados a medida;
- (11) Alteraciones o modificaciones del producto efectuadas por cualquier persona o entidad que no sea Midmark; y
- (12) Productos que estarían cubiertos por esta garantía limitada pero que se hayan adquirido: (i) a través de una persona o entidad distinta a Midmark o sus distribuidores autorizados; o (ii) a través de un distribuidor de Midmark que no tenga la autorización para vender el producto en cuestión en el territorio donde se encuentre el comprador, o que no tenga la autorización para vender el producto en el sector médico.

SOFTWARE; EN RELACIÓN CON EL SOFTWARE QUE CONSTITUYA UN PRODUCTO O COMPONENTE DEL MISMO, MIDMARK NO GARANTIZA QUE EL SOFTWARE: (1) ESTÉ LIBRE DE ERRORES; (2) SE PUEDA UTILIZAR SIN PROBLEMAS NI INTERRUPCIONES; O (3) NO SEA VULNERABLE A LA INTRUSIÓN O AL ATAQUE DE VIRUS U OTROS MÉTODOS.

RESPONSABILIDAD EXCLUSIVA; DAÑOS EMERGENTES; LA ÚNICA RESPONSABILIDAD DE MIDMARK EN VIRTUD DE LA PRESENTE GARANTÍA LIMITADA ES LA DE REPARAR O SUSTITUIR LAS PIEZAS DEFECTUOSAS. MIDMARK NO SE HACE RESPONSABLE DE, Y POR LA PRESENTE RENUNCIA A, CUALESQUIERA DAÑOS DIRECTOS, ESPECIALES, INDIRECTOS, ACCIDENTALES, EJEMPLARES O CONSECUENTES, O DEMORAS, INCLUIDOS, SIN LIMITACIÓN, DAÑOS POR PÉRDIDA DE GANANCIAS O INGRESOS, PÉRDIDA DE USO, PÉRDIDA DE DATOS, TIEMPO MUERTO, COBERTURA Y SALARIOS DE EMPLEADOS O DE CONTRATISTA INDEPENDIENTE, PAGOS Y BENEFICIOS. LA PRESENTE EXENCIÓN DE RESPONSABILIDAD SERÁ VÁLIDA AUN EN CASO DE INCUMPLIMIENTO O INCUMPLIMIENTO ALEGADO DEL OBJETIVO PRINCIPAL DE ESTA GARANTÍA LIMITADA O DE SUS RESPONSABILIDADES ESPECIFICADAS EN EL PRESENTE DOCUMENTO. EXENCIÓN DE RESPONSABILIDAD DE LA GARANTÍA ESTA ES LA GARANTÍA COMPLETA DE MIDMARK Y SUSTITUYE A CUALQUIER OTRA GARANTÍA, EXPLÍCITA O IMPLÍCITA. MIDMARK NO OFRECE GARANTÍAS IMPLÍCITAS DE NINGÚN TIPO, INCLUIDAS LAS IMPLÍCITAS DE COMERCIABILIDAD O IDONEIDAD PARA UN PROPÓSITO DETERMINADO. ESTA GARANTÍA SE LIMITA A LA REPARACIÓN O SUSTITUCIÓN DE PIEZAS DEFECTUOSAS.

ESTATUTO DE LIMITACIONES No podrá interponerse ninguna acción contra Midmark por incumplimiento de esta garantía limitada, de una garantía implícita, si las hubiere, o por cualquier otra reclamación que surja de o en relación con los productos, después de transcurridos noventa (90) días después del vencimiento del período de garantía limitada.

AUTORIZACIÓN Midmark no autoriza a ninguna persona ni empresa a imponer ni aprobar ninguna otra obligación ni responsabilidad en relación con los productos.

Notas:

Midmark Corporation
60 Vista Drive
Versailles, OH 45380(Estados Unidos)
Teléfono: 937-526-3662
Fax: 937-526-5542
www.midmark.com



MIDMARK®

Table d'examen manuelle

[English](#)

[Español](#)

[Français](#)

Pour les modèles :
604 (tous)



MA706600i



Reportez-vous aux
consignes de sécurité
dans ce manuel.

Guide de l'utilisateur

Informations produit

(Les renseignements ci-dessous sont nécessaires lorsque vous contactez le service après-vente)

Revendeur [nom / téléphone] :

Date d'acquisition :

Numéro de modèle / de série :

Société de service après-vente agréée Midmark [nom / téléphone] :

Emplacement du numéro de modèle / de série



MA706500i

Table des matières

Renseignements importants

<u>Symboles de sécurité</u>	4
<u>Avertissements</u>	5
<u>Utilisation prévue</u>	5
<u>Alimentation électrique</u>	5
<u>Interférences électromagnétiques</u>	6
<u>Mise au rebut de l'équipement</u>	6
<u>Représentant CE autorisé</u>	6
<u>Transport et conditions de stockage</u>	6

Fonctionnement

<u>Positionnement du dossier</u>	7
<u>Étriers</u>	8
<u>Repose-pied et cuvette</u>	9
<u>Repose-pied</u>	9
<u>Pose du rouleau de papier et de la sangle de maintien</u>	10
<u>Élément chauffant du tiroir (en option)</u>	11
<u>Surélévation du bassin (en option)</u>	12
<u>Prise de courant (en option)</u>	13
<u>Élément chauffant de la garniture (en option)</u>	14
<u>Tiroir Exam Assistant®</u>	15
<u>Inversion des tiroirs latéraux</u>	16

Entretien

<u>Nettoyage</u>	17
<u>Entretien préventif</u>	17
<u>Service après-vente</u>	17

Caractéristiques techniques

<u>Poids et dimensions</u>	18
<u>Tension, intensité, fréquences nominales et tableau de conformité</u>	19

Renseignements sur la garantie

<u>Limitation De Garantie</u>	20
-------------------------------------	----

Renseignements importants

Symboles de sécurité



Avertissement

Signale un danger potentiel qui pourrait entraîner des blessures graves.



Attention

Signale un danger potentiel qui risque d'entraîner des blessures modérées ou mineures. Il peut également servir à signaler à l'utilisateur des pratiques dangereuses.



Avertissement relatif à l'équipement

Signale un danger potentiel qui pourrait endommager l'équipement.

Remarque

Attire l'attention sur une procédure, une pratique ou une situation.



Orientation correcte pour transport



Fragile



Type B, partie appliquée (garniture)



Mise à la terre de protection



Poids limite du patient



Fabricant



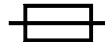
Numéro de série



Conserver au sec



Hauteur maximale d'empilage
(palettes empilées)



Calibre des fusibles



Tension dangereuse /
risque d'électrocution



Consulter le manuel



Numéro de catalogue

Avertissements



Avertissement

Pour éviter toute blessure, ne pas placer la tête ou les extrémités sous la bande de déchirure du papier.



Avertissement

Le branchement de l'équipement dans une prise multiple entraîne en fait la création d'un système électromédical, susceptible de résulter en une réduction du niveau de sécurité.



Avertissement

Dans le cadre d'une utilisation normale, la table doit être installée de sorte à permettre un accès aisé aux cordons d'alimentation afin de les débrancher.



Avertissement

Pour éviter le risque d'électrocution, branchez cet équipement uniquement dans une prise secteur reliée à la terre.



Avertissement

Cet équipement **ne doit pas** être utilisé en présence d'un **mélange anesthésique inflammable** à l'oxygène, à l'air ou au protoxyde d'azote.

Clarification : cet équipement **peut** être utilisé en présence d'oxygène, d'air ou de protoxyde d'azote.



Avertissement

Aucune modification de cet équipement n'est autorisée.

Utilisation prévue

Ce produit est destiné à être utilisé comme une table afin de permettre le placement et le support du patient lors des procédures d'examen exécutées par un professionnel de la santé qualifié dans un cabinet.

Alimentation électrique



Attention

Pour que la table soit complètement isolée du réseau électrique, les deux cordons d'alimentation doivent être débranchés.

En cas d'utilisation d'appareils chirurgicaux à haute fréquence ou de cathéters endocardiques :

- Utilisez un matériau non conducteur pour isoler le patient des parties métalliques de la table.
- Consultez les instructions d'utilisation de l'appareil avant de l'utiliser avec le tiroir ou l'élément chauffant de garniture.

Tout manquement à cette recommandation peut provoquer une électrocution ou des brûlures au patient.

Interférences électromagnétiques

Ce produit est conçu et construit pour minimiser les interférences électromagnétiques avec d'autres appareils. Cependant, en cas d'interférences entre un autre appareil et ce produit :

- Retirez de la pièce l'appareil qui crée les interférences.
- Branchez le fauteuil sur un circuit isolé.
- Augmentez la distance entre le fauteuil et l'appareil qui crée les interférences.
- Contactez Midmark si les interférences persistent.

Mise au rebut de l'équipement

À la fin de la durée de vie du produit, la table, les accessoires et autres fournitures peuvent devenir contaminés dans le cadre d'une utilisation normale. Consultez les codes et les arrêtés locaux pour vous renseigner sur la mise au rebut appropriée de l'équipement, des accessoires et autres fournitures.

Représentant CE autorisé

Au sein de l'Union européenne, tous les problèmes, plaintes ou questions doivent être adressés au représentant EU autorisé de Midmark indiqué ci-dessous.

Newmed Srl.
Via Lenin 79/A
Quattro Castella (RE), 42020
Italie

Téléphone : +39.0522.875.166
Fax : +39.0522.243.096

Transport et conditions de stockage

Plage de températures ambiantes :-5 °C à +38 °C (+23 °F à 100 °F)
Humidité relative10 à 90 % (sans condensation)
Pression atmosphérique500 hPa à 1 060 hPa (0,49 atm à 1,05 atm)

Fonctionnement

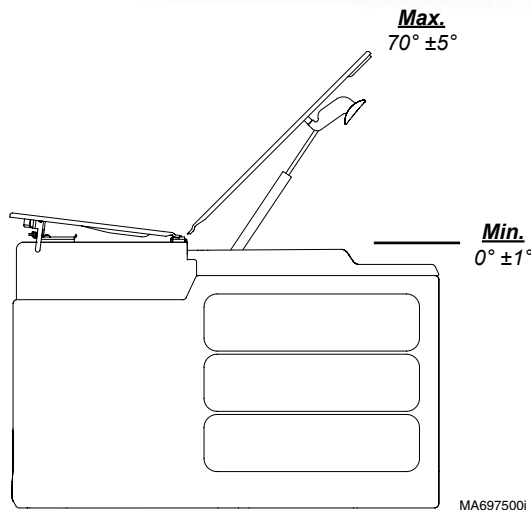
Positionnement du dossier

Pour positionner le dossier...

- A) Tout en maintenant le dossier en place, serrez la poignée de relâchement du dossier (d'un côté de la table).
- B) Positionnez le dossier dans la position souhaitée.
- C) Relâchez la poignée pour bloquer le dossier.



**Poignée de relâchement
du dossier**



MA696700p

MA697500i

Étriers



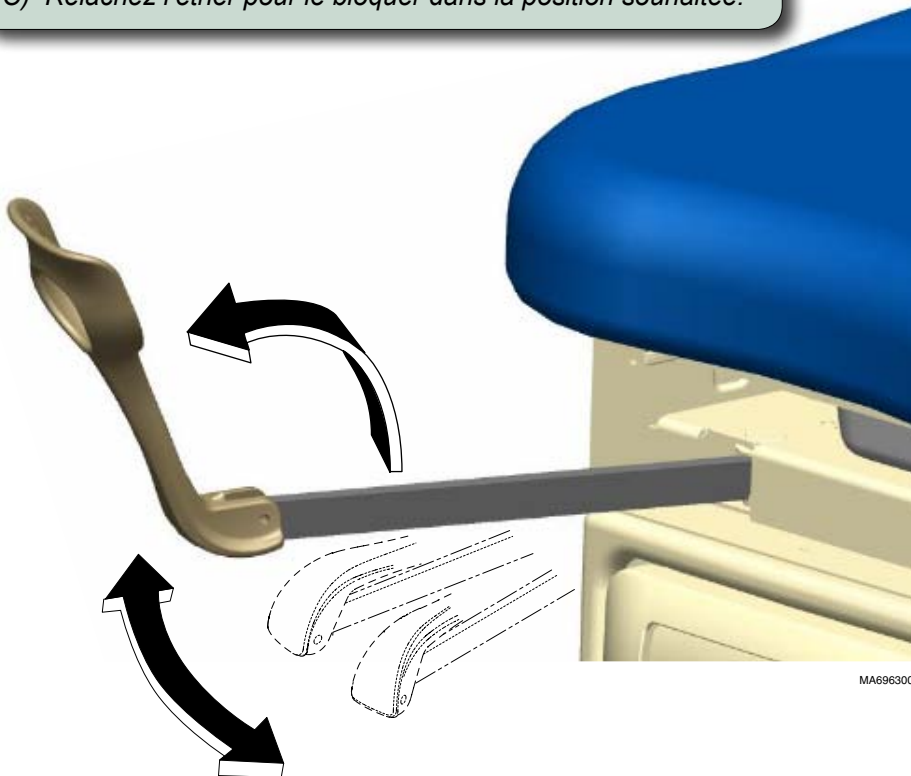
Attention

Vérifiez que les étriers sont bien en place et bloqués avant de les utiliser.

Les étriers ne peuvent pas supporter le poids du patient.

Pour positionner les étriers...

- A) Tirez l'étrier et dépliez-le.
- B) Soulevez légèrement l'étrier, puis déplacez-le vers la droite ou la gauche.
- C) Relâchez l'étrier pour le bloquer dans la position souhaitée.



MA696300i

Repose-pied et cuvette



Attention

Le repose-pied n'est pas prévu pour supporter le poids du patient.

Pour accéder à la cuvette...

Soulevez légèrement le coussinet du repose-pied, puis faites-le rentrer dans la table.



Pour sortir le repose-pied...

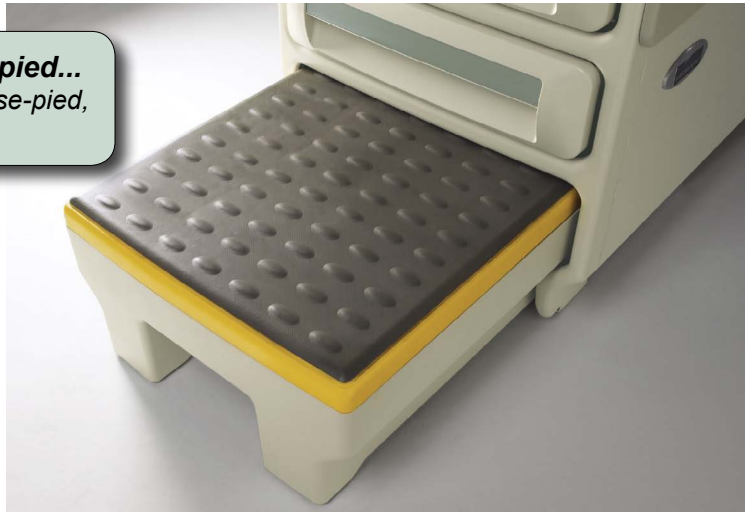
Sortez le repose-pied jusqu'à la position désirée.

MA696401p

Repose-pied

Pour accéder au repose-pied...

Soulevez légèrement le repose-pied, puis tirez-le vers l'extérieur.



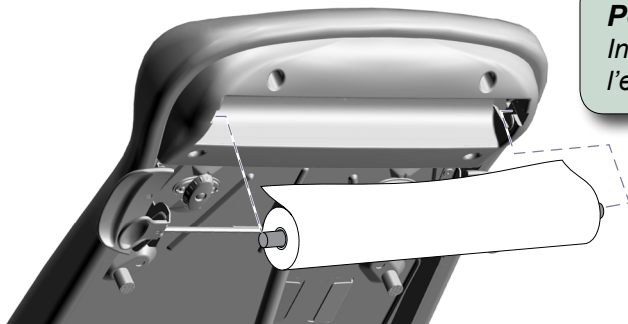
MA696600i

Pose du rouleau de papier et de la sangle de maintien

Remarque

Il est possible de ranger un maximum de quatre rouleaux de papier sous le dossier.

Taille du rouleau de papier (max.) :53 cm de large x 9 cm de diamètre
(21 in. x 3.5 in.)



Pour installer le rouleau de papier...
Insérez la tige dans les encoches sous l'extrémité tête de la garniture.



Pour installer la sangle de maintien...
Fixez la sangle de maintien aux accroches situées de chaque côté de la table.

MA696800i

Élément chauffant du tiroir (en option)

Remarque

L'interrupteur est allumé lorsque l'élément chauffant est en MARCHE (I).

L'élément chauffant du tiroir maintient le contenu du tiroir à une température d'environ 37 °C (98 °F).



**Pour ACTIVER/DÉSACTIVER
l'élément chauffant du tiroir...**
Appuyez sur le bouton de l'élément
chauffant du tiroir.



Bouton de l'élément chauffant du tiroir (blanc)

Surélévation du bassin (en option)

Pour élever l'assise...

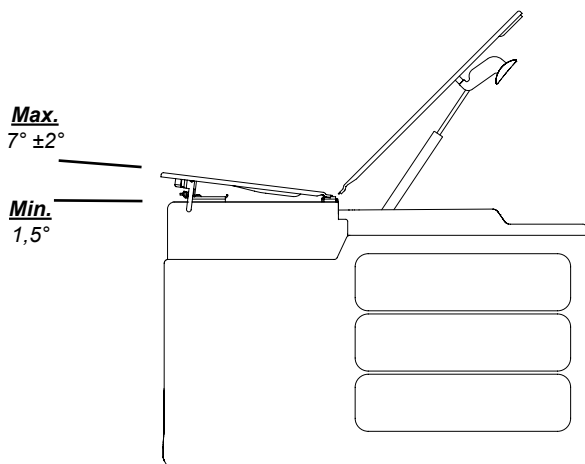
Relevez l'assise jusqu'à ce que le support du bassin s'encliquette en place.



Pour revenir en position horizontale...

- A) Soulevez l'assise légèrement.
- B) Pivotez la poignée de déclenchement vers le haut.
- C) Rabaissez l'assise.

MA702300i



MA697500i

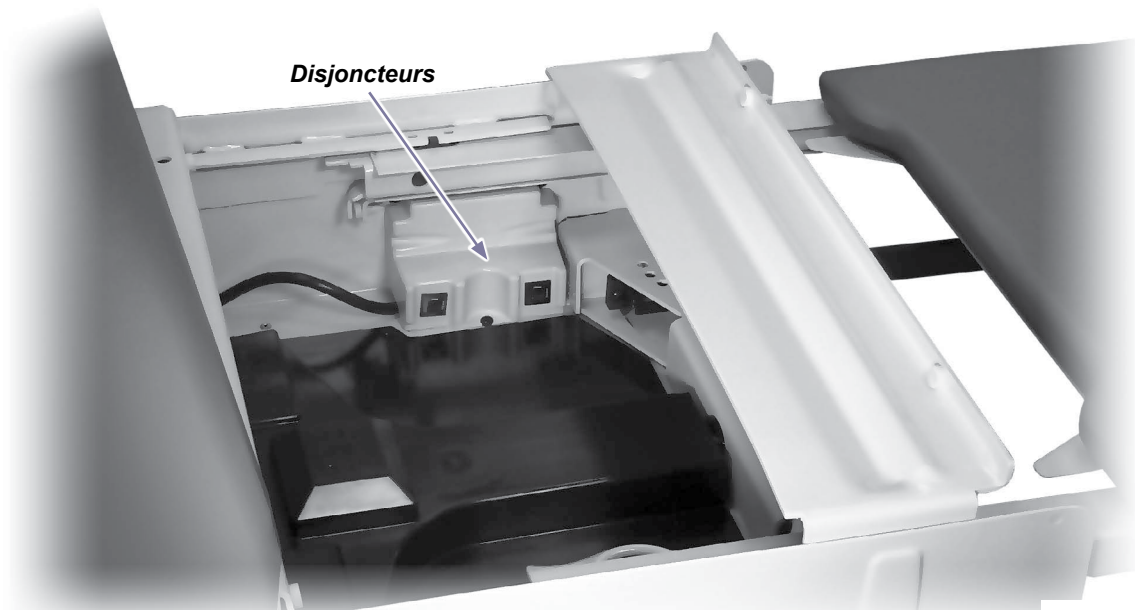
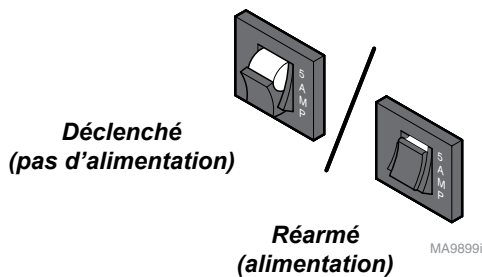
Prise de courant (en option)

La prise de courant double située sur le côté de la table permet le branchement des accessoires utilisés lors des interventions. Il y a deux disjoncteurs sous l'assise. Si la charge maximale de la prise est dépassée, les disjoncteurs coupent l'alimentation.

Charge maximale..... 5 A

Pour réinitialiser le ou les disjoncteurs...

Appuyez sur l'interrupteur à bascule du disjoncteur.



MA9894p

Élément chauffant de la garniture (en option)

Pour ACTIVER / DÉACTIVER l'élément chauffant de la garniture...

Appuyez sur le bouton de l'élément chauffant de la garniture.

Remarque : l'élément chauffant de garniture...

- atteint sa température de fonctionnement en 15 à 20 minutes.
- s'éteint automatiquement au bout de 8 heures.

Remarque

Le bouton est allumé lorsque l'élément chauffant de la garniture est en MARCHÉ (I).



Bouton de l'élément chauffant de la garniture (vert)



MA697000p



Avertissement relatif à l'équipement

La charge maximale de l'élément chauffant est de 45 W et ce dernier ne doit être alimenté qu'avec le cordon fourni.

Si la garniture chauffée est percée, vous devez la réparer ou la remplacer afin d'en garantir le bon fonctionnement.

Tiroir Exam Assistant®

Pour utiliser le panneau avant du tiroir comme tablette...

Abaissez le panneau avant du tiroir pour relâcher le verrou magnétique.

Si le panneau avant du tiroir plie vers le bas...

Tirez le panneau avant du tiroir vers le haut jusqu'à ce qu'il s'enclenche en position horizontale.



MA7045001



Avertissement relatif à l'équipement

La tablette supporte un poids maximal de 4,5 kg (10 lbs).

Inversion des tiroirs latéraux

Les tiroirs latéraux peuvent être inversés de façon à pouvoir être ouverts du côté opposé de la table.



Étape 1 : retirez le panneau latéral.
(Tirez le panneau à partir du bas.)

Étape 2 : retirez les panneaux avant des tiroirs.
(Abaissez les languettes pour les libérer.)

Languettes



Étape 3 : installez les panneaux avant des tiroirs sur le côté opposé de la table.



Étape 4 : installez le panneau latéral sur le côté opposé.
(Alignez le panneau, puis enfoncez-le bien droit.)

MA705400i

Entretien

Nettoyage

Garniture



Avertissement relatif à l'équipement

La garniture résiste à la plupart des taches d'origine médicale, mais risque d'être endommagée par les solvants et les teintures. Essayez immédiatement tout liquide renversé sur la garniture.

Nettoyez la garniture toutes les semaines avec un mélange de savon doux liquide et d'eau. Rincez à l'eau claire et séchez complètement afin d'éliminer les résidus de désinfectant.

Désinfectez la garniture avec une solution à base d'un volume d'eau de Javel ou de produits chlorés pour 10 volumes d'eau (10 %). Puis rincez à l'eau claire et séchez soigneusement. Voir les directives de désinfection et de stérilisation dans les centres de santé des centres pour le contrôle des maladies (CDC).

Pour minimiser les dommages provoqués par les résidus de nettoyants désinfectants, empêchez toute accumulation de désinfectant sur la garniture. Lorsque le temps de réaction reconnu s'est écoulé, ôtez et séchez tout excès de liquide restant sur la surface.

Votre produit est livré avec un manuel détaillé d'utilisation et d'entretien. Vous trouverez également toutes les informations utiles sur www.midmark.com à la rubrique Bibliothèque technique, au niveau de l'onglet Documents correspondant à votre produit.

Surfaces en métal/en plastique peintes

Chaque semaine, essayez les surfaces en métal et en plastique peintes de la table à l'aide d'un chiffon doux propre et d'un détergent doux.

Entretien préventif

Examinez périodiquement les éléments suivants :

- Le cordon d'alimentation ne doit présenter aucune coupure ni aucun autre dommage visible.
- Toutes les fixations doivent être en place et bien attachées.
- Tous les dispositifs mécaniques doivent fonctionner correctement.

Faites inspecter la table tous les six mois par un technicien de maintenance qualifié.

Service après-vente

Remarque

Vous devez préciser le numéro de modèle et le numéro de série lorsque vous contactez le service après-vente.

Si une réparation est nécessaire, contactez votre revendeur Midmark agréé.

Pour contacter directement Midmark :

+1-937-526-3662

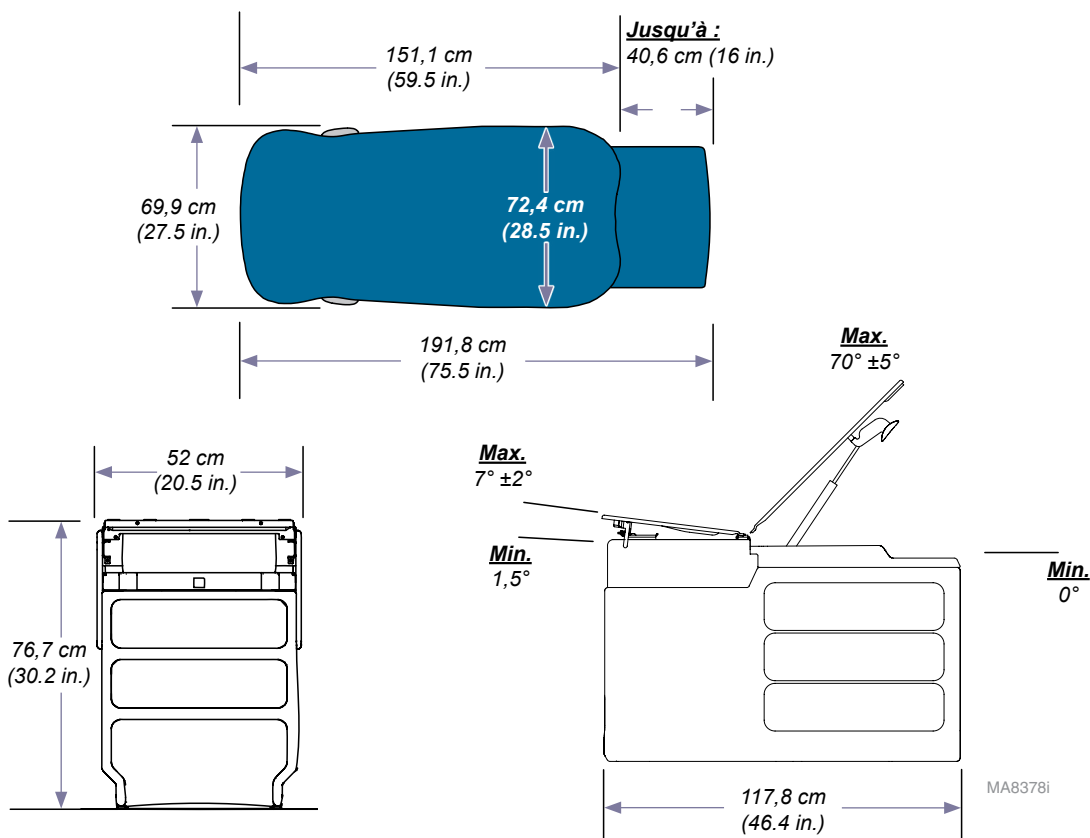
De 8 h 00 à 17 h 00, du lundi au vendredi (heure normale de l'Est des États-Unis)

www.midmark.com

Caractéristiques techniques

Poids et dimensions

Poids maximal du patient :	226 kg (500 lbs)
Rouleau de papier (taille maximale) :	(Voir la page Rouleau de papier et sangle de maintien.)
Amplitude de déplacement et dimensions :	(Voir l'illustration ci-dessous.)
Poids de la table :	99,8 kg (220 lbs)
Cordon d'alimentation :	1,8 m (6 ft.) de long



Caractéristiques techniques (suite)

Tension, intensité, fréquences nominales et tableau de conformité

Modèle	Description	Alimentation électrique :					
		ES 60601-1	CAN / CSA C22.2, 60601-1	CE	VCA +/- 10 %	Intensité	Cycles (Hz)
604-001	Table d'examen Midmark avec prise de courant	•	•		115	5	50/60
604-002	Table d'examen Midmark avec prise de courant, surélévation du bassin et élément chauffant du tiroir	•	•		115	5,5	50/60
604-003	Table d'examen Midmark avec prise de courant, surélévation du bassin, élément chauffant du tiroir et élément chauffant de la garniture	•	•		115	6,5	50/60
604-004	Table d'examen Midmark – exportation avec surélévation du bassin	•	•	•	-	-	-
604-005	Table d'examen Midmark – exportation avec prise de courant et surélévation du bassin	•	•	•	230	5	50/60

Renseignements sur la garantie

CADRE DE GARANTIE Midmark Corporation (« Midmark ») s'engage auprès de l'acquéreur initial à réparer ou à remplacer, au gré de Midmark, les produits médicaux locaux et internationaux fabriqués par Midmark (hormis les composants non garantis en vertu des « Exclusions ») qui sont défectueux au niveau du matériel ou de la qualité d'exécution dans des conditions normales d'utilisation et de service. Le seul recours admissible aux termes de la présente garantie limitée est la réparation ou le remplacement des composants concernés, au gré de Midmark. La présente garantie limitée ne s'applique qu'aux défauts signalés à Midmark durant la période de garantie applicable et dont Midmark détermine après examen qu'ils existent. La présente garantie s'étend au seul acquéreur initial d'un produit et n'est ni transférable, ni cessible. Des composants ou produits de remplacement peuvent être utilisés, ou encore des composants ou produits rénovés, à condition qu'ils présentent une qualité et des spécifications identiques à celles des composants ou produits neufs.

Midmark s'engage auprès de l'acquéreur initial à réparer ou remplacer les logiciels contenus dans les produits fabriqués par Midmark (hormis ceux non garantis en vertu des « Exclusions ») pendant la période de garantie applicable si : (1) le support sur lequel le logiciel est fourni présente des défauts matériels ou d'exécution dans des conditions normales d'utilisation ; ou (2) le logiciel n'est pas fondamentalement conforme aux spécifications annoncées.

PÉRIODE DE GARANTIE APPLICABLE La période de garantie applicable est d'un (1) an pour tous les produits et composants couverts par la garantie, à compter de la date de facturation à l'acheteur au détail initial du produit.

OBTENTION DU SERVICE DE GARANTIE Le service de garantie doit être mis en œuvre par Midmark ou un distributeur agréé de la ligne de produits de Midmark pour laquelle le service de garantie est requis. Les demandes ou questions liées au service de garantie Midmark peuvent être adressées par courrier électronique sur www.midmark.com ou par téléphone au +1-937-526-3662 ou par courrier à Midmark Corporation, 60 Vista Drive, Versailles, Ohio 45380. L'acquéreur a l'obligation de prendre ses dispositions auprès de Midmark ou de tout revendeur agréé pour mettre en place un service de garantie, service qui est à la charge de l'acquéreur. L'acquéreur est également dans l'obligation de se conformer aux instructions du service de garantie fourni par Midmark ou son distributeur agréé. L'acquéreur doit fournir à Midmark les renseignements relatifs à l'enregistrement de la garantie dans les trente (30) jours consécutifs à l'achat afin de pouvoir jouir de la garantie.

EXCLUSIONS : Midmark ne peut être tenu pour responsable des cas suivants, qui ne sont pas couverts par la garantie limitée :

- (1) les malfaçons, dommages ou autres conditions provoquées, en tout ou en partie, par une utilisation abusive ou incorrecte, une négligence, une modification, un accident, des dommages subis pendant le transport, une négligence dans l'entreposage, une altération ou une demande de réparation ou de remplacement hors délais ;
- (2) les produits qui ne sont pas installés, utilisés, nettoyés et entretenus correctement tel qu'exigé ou recommandé dans les guides « Installation » ou « Installation/Fonctionnement » de Midmark pour le produit concerné, y compris les conditions environnementales structurelles et opérationnelles et les exigences électriques ;
- (3) les produits considérés comme étant de nature consommable ou stérile ;
- (4) les accessoires ou pièces n'étant pas fabriqués par Midmark ;
- (5) les frais appliqués par quiconque pour des réglages, des réparations, des pièces de remplacement, l'installation ou toute autre tâche accomplie sur ou en rapport avec lesdits produits, qui ne sont pas expressément autorisés au préalable et par écrit par Midmark ;
- (6) les frais d'entretien et de nettoyage ordinaires ; et
- (7) les représentations et garanties données par toute autre personne ou entité que Midmark.
- (8) la correspondance de couleur, de grain ou de texture, hormis selon les normes commerciales acceptables ;
- (9) les changements de couleur causés par la lumière naturelle ou artificielle ;
- (10) les produits de fabrication sur mesure ;
- (11) les altérations ou modifications au produit par toute personne ou entité autre que Midmark ; et
- (12) les produits qui seraient sinon couverts par cette garantie limitée, mais qui ont été acquis : (i) auprès d'une personne ou d'un organisme autre que Midmark ou l'un de ses revendeurs agréés ; ou (ii) auprès d'un revendeur Midmark non autorisé à vendre le produit en cause sur le territoire géographique où se trouve l'acheteur ou non autorisé à vendre le produit en cause sur le marché médical.

LOGICIEL ; EN LIEN AVEC UN LOGICIEL QUI EST UN PRODUIT OU UN COMPOSANT D'UN PRODUIT, MIDMARK NE GARANTIT PAS QUE LE LOGICIEL : (1) EST EXEMPT D'ERREURS ; (2) PEUT ÊTRE UTILISÉ SANS PROBLÈME OU INTERRUPTION ; OU (3) EST EXEMPT DE VULNÉRABILITÉS AUX INTRUSIONS OU ATTAQUES DE VIRUS OU AUTRES PROCÉDÉS.

RECOURS EXCLUSIF ; AVIS DE NON-RESPONSABILITÉ POUR LES DOMMAGES INDIRECTS ; L'UNIQUE OBLIGATION DE MIDMARK DANS LE CADRE DE CETTE GARANTIE LIMITÉE EST LA RÉPARATION OU LE REMPLACEMENT DES PIÈCES DÉFECTUEUSES. MIDMARK NE PEUT ÊTRE TENU POUR RESPONSABLE ET DÉCLINE PAR LA PRÉSENTE TOUTE RESPONSABILITÉ POUR TOUT RETARD OU DOMMAGE DIRECT, PARTICULIER, INDIRECT, ACCIDENTEL, EXEMPLAIRE OU CONSÉCUTIF, Y COMPRIS, SANS S'Y LIMITER, LES DOMMAGES RELATIFS À UNE PERTE DE BÉNÉFICE OU DE REVENU, UNE PERTE D'USAGE, UNE PERTE DE DONNÉES, UN TEMPS D'INDISPONIBILITÉ, UNE COUVERTURE ET LES SALAIRES, PAIEMENTS ET AVANTAGES SOCIAUX D'EMPLOYÉS OU D'ENTREPRENEURS INDÉPENDANTS. CETTE EXCLUSION SURVIVRA À TOUT MANQUEMENT OU MANQUEMENT ALLÉGUÉ AU BUT ESSENTIEL DE CETTE GARANTIE LIMITÉE OU À SES RECOURS PRÉVUS. EXCLUSION DE GARANTIE : CETTE GARANTIE EST LA SEULE GARANTIE DE MIDMARK ET REMPLACE TOUTES LES AUTRES GARANTIES EXPLICITES OU IMPLICITES. MIDMARK N'ACCORDE AUCUNE GARANTIE IMPLICITE D'AUCUNE SORTE, Y COMPRIS LES GARANTIES IMPLICITES DE COMMERCIALISATION OU D'ADAPTATION POUR UNE UTILISATION PARTICULIÈRE. CETTE GARANTIE EST LIMITÉE À LA RÉPARATION OU AU REMPLACEMENT DE PIÈCES DÉFECTUEUSES.

PRESCRIPTION Aucune action ne peut être portée contre Midmark pour violation de la présente garantie limitée, d'une garantie implicite, le cas échéant, ou pour toute autre revendication découlant de ou relative aux produits, plus de quatre-vingt-dix (90) jours après expiration de la période de garantie limitée.

AUCUNE AUTORISATION Aucune personne ou société n'est autorisée à créer ou approuver d'autres obligations ou responsabilités pour Midmark en rapport avec les produits.

Remarques :

Remarques :

Remarques :

Midmark Corporation
60 Vista Drive
Versailles, OH 45380
Téléphone : 937-526-3662
Fax : 937-526-5542
www.midmark.com

003-1533-99



Because we care.