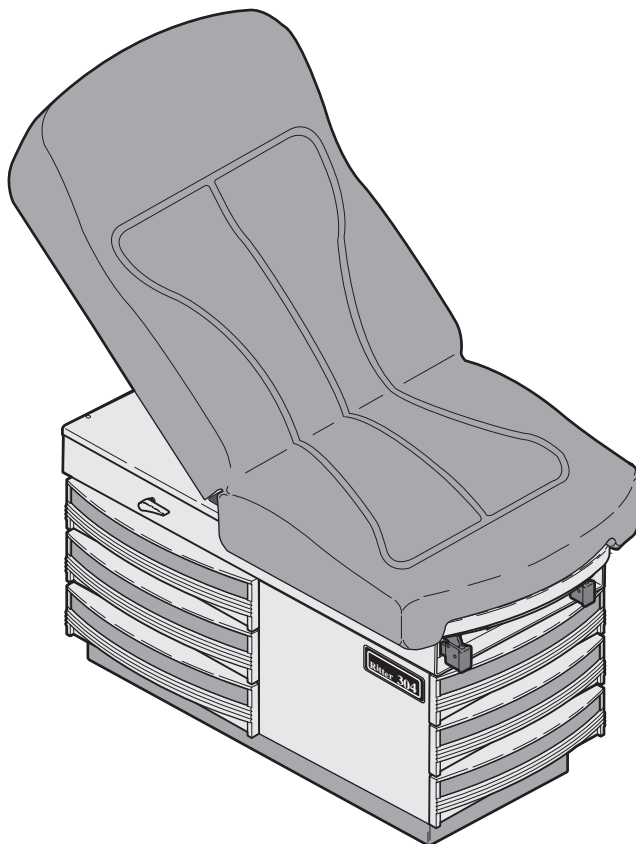


Ritter®



# Installation and Operation Manual

## 304 Examination Table



**Important  
Information**  
*Page 2*

**Installation**  
*Page 4*

**Description**  
*Page 6*

**Components  
Overview**  
*Page 8*

**Controls &  
Indicators**  
*Page 9*

**Operation**  
*Page 10*

**Operator  
Maintenance**  
*Page 16*

**Calling For  
Service**  
*Page 18*

**Specifications**  
*Page 18*

**Limited  
Warranty**  
*Page 20*

MA360200

# Owner's Product Identification

(information that you will need to provide for servicing - key information is highlighted)

*Date of Purchase*

*Serial Number*

Name of Owner / Facility / Department

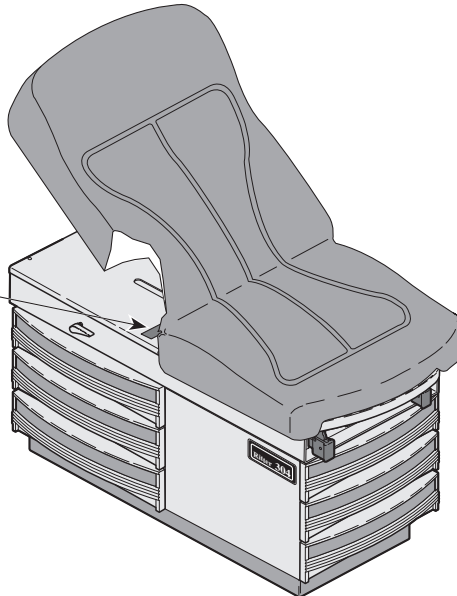
*Model Number*

Name of Authorized Ritter Dealer

Telephone # of Authorized Ritter Dealer

Address of Authorized Ritter Dealer

**MODEL AND SERIAL  
NUMBER LOCATION**



# CONTENTS

<b>IMPORTANT INFORMATION .....</b>	<b>2</b>
Scope and Purpose of This Manual .....	2
Intended Use of Product .....	2
Authorized CE Representative .....	2
Safety Instructions .....	2
Explanation of Safety Symbols and Notes .....	2
Transportation and Storage Conditions .....	3
<b>INSTALLATION .....</b>	<b>4</b>
Unpacking .....	4
Leveling The Table .....	5
Installing Paper Retaining Straps .....	5
Installing Paper Roll Dowel Rod .....	5
Electrical Requirements .....	6
Electromagnetic Interference .....	6
<b>DESCRIPTION .....</b>	<b>6</b>
Introduction .....	6
Features .....	7
<b>COMPONENTS OVERVIEW .....</b>	<b>8</b>
<b>CONTROLS &amp; INDICATORS .....</b>	<b>9</b>
<b>OPERATION .....</b>	<b>10</b>
Back Section .....	10
Stirrups .....	10
Footstep .....	11
Footrest .....	12
Treatment Pan .....	12
Paper Roll .....	13
Pelvic Lift (optional) .....	13
Drawer Heater .....	14
List of Authorized Accessories .....	15
Patient Positioning .....	16
<b>OPERATOR MAINTENANCE .....</b>	<b>16</b>
Preventive Maintenance .....	16
Cleaning .....	16
Fuse Replacement .....	17
<b>CALLING FOR SERVICE .....</b>	<b>18</b>
<b>SPECIFICATIONS .....</b>	<b>18</b>
<b>LIMITED WARRANTY .....</b>	<b>20</b>

## **IMPORTANT INFORMATION**

### **Scope and Purpose of This Manual**

This manual covers complete instructions for the installation, operation, and normal care of the 304 Medical Examination Table. It is intended that this manual be used by any medical personnel responsible for operating the examination table during a medical procedure or performing operator level maintenance.

### **Intended Use of Product**

This product is intended to be used as either a chair or table to provide positioning and support of patients during general examinations and procedures conducted by qualified medical professionals.

### **Authorized CE Representative**

For countries in the CE union, any questions, incidents, or complaints must be directed to Midmark's Authorized CE representative listed below:

Promotal  
22, Rue De St. Denis  
53500 Ernee,  
FRANCE

Phone: 33-2-430-517-76  
Fax: 33-2-430-569-10

### **Safety Instructions**

The primary concern of Midmark is that this equipment is operated and maintained with the safety of the patient and staff in mind. To assure safer and more reliable operation:

- Read and understand this manual before attempting to install or operate the table.
- Assure that appropriate personnel are informed on the contents of this manual; this is the responsibility of the purchaser.
- Assure that this manual is located near the table, or if possible, permanently affixed to the table.



**WARNING**

Indicates a potentially hazardous situation which, if not avoided, could result in death or serious injury.



**CAUTION**

Indicates a potentially hazardous situation which, if not avoided, may result in minor or moderate injury. It may also be used to alert against unsafe practices.



**EQUIPMENT ALERT**

Indicates an imminently or potentially hazardous situation which, if not avoided, will or may result in serious, moderate, or minor equipment damage.

**NOTE**

Amplifies an operating procedure, practice, or condition.



Indicates that the unit is rated: Type B, Applied Part.



Indicates that the operator's manual should be consulted for important information.



Indicates the presence of a dangerous voltage / shock hazard.



Indicates a fuse rating specification.



Indicates a protective earth ground.



Indicates that table must not be lifted by stirrups or damage to stirrups will result.



Indicates that the product is fragile; do not handle roughly.



Indicates the proper shipping orientation for the product.



Indicates that the product must be kept dry.



Indicates a hot surface.



Indicates heater switch is in ON position.



Indicates heater switch is in STANDBY position.

**Transportation and Storage Conditions**

- Ambient Temperature Range:..... -30°C to +60°C (-22°F to 140°F)
- Relative Humidity ..... 10% to 90% (non-condensing)
- Atmospheric Pressure ..... 500hPa to 1060 hPa (0.5 bar to 1.06 bars)

# INSTALLATION

## Unpacking



### EQUIPMENT ALERT

To avoid damaging the table's upholstered top or side panels, do not use a knife or other sharp object to open the table's packaging. Also, to avoid damaging the table, do not lift at points (2, Figure 2).

Carefully remove the packaging from the table and then inspect the table for any shipping damage. Report any damage to the shipping company and fill out a concealed damage report.

Unbolt the table from the wooden shipping skid by removing two bolts (1, Figure 2) from the underside of the table's base; diagonally from each other.

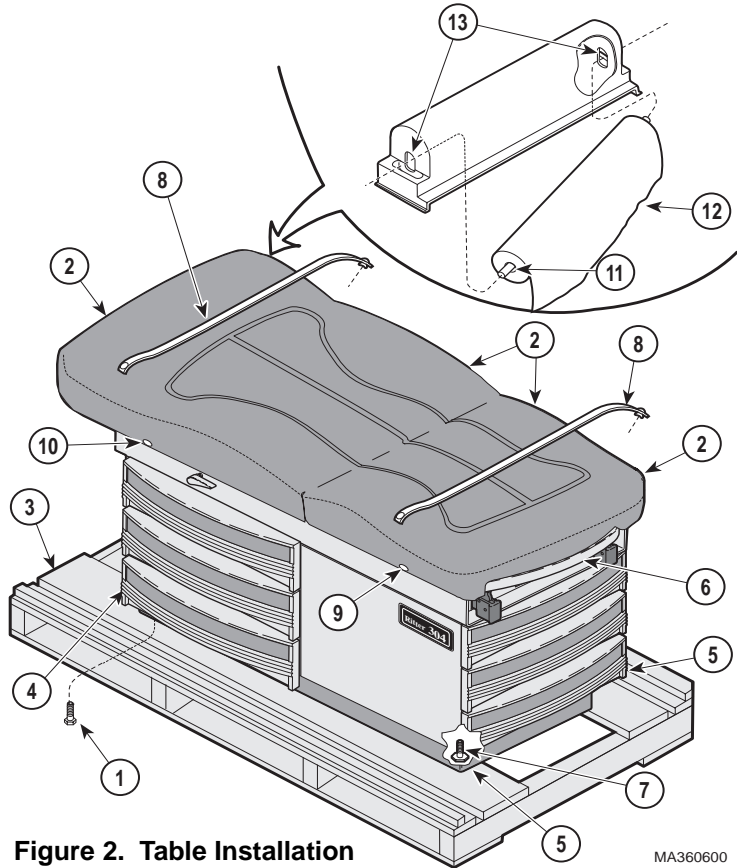


Figure 2. Table Installation

MA360600



### WARNING

The table weighs approximately 113.4 kgs (250 lbs). Get an assistant to help remove the table from the shipping skid. Also, use proper lifting techniques when lifting table. Failure to do so could result in serious back injury.

After unbolting, remove the table from the shipping skid (3), lifting at points (4 and 5). **Do not** lift at points (2); these are unsupported areas. Position the table in room as desired.

Remove red tape from stirrups. Pull out foot extension (6) and remove red packing tape from the foot extension components. Return foot extension to its stowed position.

## Leveling The Table

A leveling screw pad (7, Figure 2) is located under each corner of the table's base. Adjust the four leveling screw pads (7) up or down (by turning them) until a solid, level installation is achieved.

## Installing Paper Retaining Straps

### NOTE

The retaining straps may have to be stretched in order for them to be installed. The material will recover, becoming taut again after installation.

Two retaining straps are shipped in a side drawer. Install one retaining strap (8, Figure 2) on two snaps (9) and the other retaining strap (8) on two snaps (10).

## Installing Paper Roll Dowel Rod

A dowel rod (11, Figure 2) for supporting a paper roll (12) is shipped in a side drawer. To install, slide the dowel rod (11) through the paper roll (12) and then place one end of the dowel rod in one of the sockets (13), located on the rear side of the table's back section. Slide the end of the dowel rod back into the elongated hole of the socket (13) as far as possible and then push the dowel rod into the hole until the other end of the dowel rod can be inserted into the other socket (13). Center the dowel rod (11) and slide it forward in the sockets.

## Electrical Requirements

Installation

Description



### WARNING

All exposed metal parts of the table are electrically grounded. When performing a cauterization or similar treatment, the patient must be insulated from the metal portions of the table by nonconductive material. Failure to do so could result in electrical shock or burns to the patient.

Use 220-240  $\pm$ 6% VAC, 50/60 HZ only. Failure to do so could result in electrical shock to personnel and will result in damage to table.

Continuity of grounding circuit should be checked periodically. Total system chassis risk current should not exceed 500 $\mu$ A.

The electrical rating for the Model 304 Examination table is 220-240  $\pm$ 6% VAC, 50/60 Hz, 5.0 amps. The table must be connected to a branch circuit with a capacity of 5.0 amps in accordance with local and national electric codes. To prevent possible shock, the table must be grounded properly and tested. The product is protected from overload by two externally accessible fuses (see fuse replacement in this manual). The single table power cord provides power for all electrical functions of the table, including the receptacle(s) and drawer heater.

## Electromagnetic Interference

This product is designed and built to minimize electromagnetic interference with other devices, however, if interference is noticed between another device and this product, remove the interfering device from the room or plug this product into an isolated circuit.

## DESCRIPTION

### Introduction

The 304 Medical Examination Table is primarily used in examination rooms for general examinations. The table top is adjustable from a full horizontal table position to a chair position. Also, when supported with the pelvic lift bar, the lithotomy position can be achieved. There are five storage drawers which accommodate supplies used during examinations.

The 304 comes in four configurations:

- R.H. exam table with a styled top (304-015)
- R.H exam table with a soft touch top (304-005)
- L.H. exam table with a styled top (304-016)
- L.H. exam table with a soft touch top (304-006)



## Features

The Model 304 Examination Table has . . .

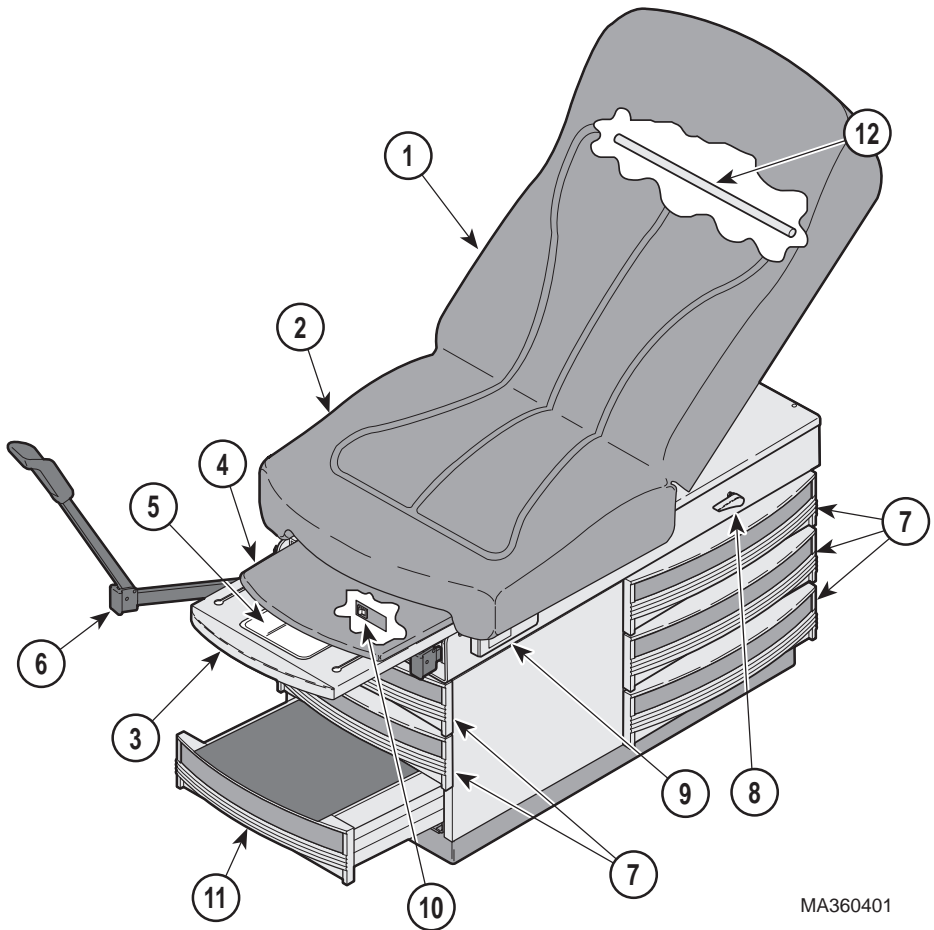
- a manually adjustable back section which is controlled by a spring assisted release handle, located on both the left and right sides of the table. The back section is adjustable from a full horizontal position to a chair position.
- a pelvic lift bar allowing seat section to be positioned in the Lithotomy position.
- a 50 watt heater which warms the contents of the top, foot end drawer.
- an extendable footrest shelf which includes a positionable upholstered pad and a removable treatment pan.
- right and left stirrups which can be extended to an infinite number of positions (up to 40.6 cm / 16 in) as well as laterally in four positions.
- five storage drawers on steel ball bearing glides; two drawers on foot end of the table and three drawers on either the right or left side of table (selected at time of purchase).
- styled drawer fronts which have molded hand pulls and come with snap-in (tool-less) epoxy painted color steel or formica inserts.
- four leveling feet (one on each corner) to ensure a solid, level installation.
- a self-locking steel step with a non-skid surface. The steps extends from the foot end of the table to assist patient entry and exit.
- One 220-240  $\pm$ 6% VAC receptacle, located on the left side of the table, near the foot end.
- a styled, seamless upholstery top **or** a sewn soft touch upholstery top (selected at time of purchase).
- a paper roll holder which is hidden in the head end of the upholstered top and tear strips, located at the foot end and head end of the upholstered top, to secure examination paper during a patient examination or procedure.

Installation

Description

## COMPONENTS OVERVIEW

The illustration below shows the location of the table's major components and the chart below provides their descriptive name.

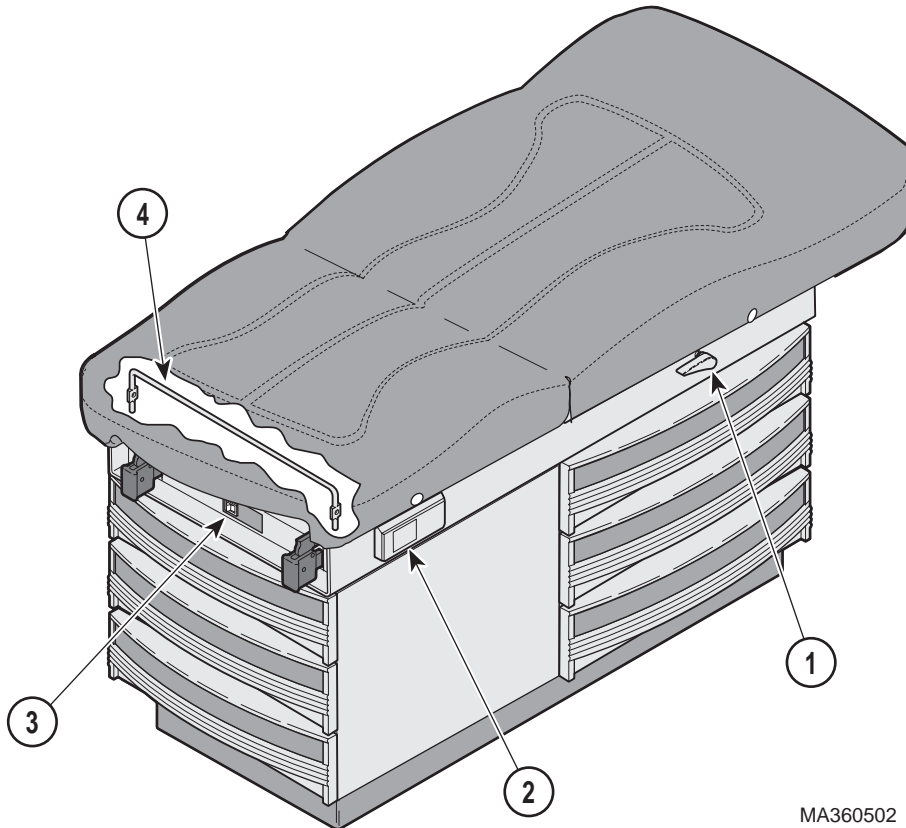


### DESCRIPTION OF COMPONENTS

1. Back Section (adjustable)	7. Storage Drawers
2. Seat Section	8. Release Handle
3. Foot Rest Shelf (extendable)	9. Receptacle(s)
4. Footrest Pad (removable)	10. Drawer Warmer
5. Treatment Irrigation Pan	11. Footstep (stowable)
6. Stirrups	12. Paper Roll Dowel

## CONTROLS & INDICATORS

The illustration below shows the location of the table's controls and indicators and the chart below describes their function.



MA360502

Components  
Overview

Controls &  
Indicators

Ref.	Control	Function
1	release handle	used to release the back section so it may be lowered.
2	receptacle	provide power to accessories and / or instruments used during an examination.
3	heater on / off switch	turns the drawer warmer heater on or off. The switch illuminates to indicate that the heater is operating.
4	pelvic lift support bar / release (option)	automatically supports seat section in pelvic lift position when seat section is raised. To release seat section, operator rotates pelvic lift support bar and lowers seat section.

## OPERATION



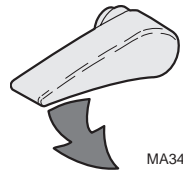
### **WARNING**

Do not use this table in an explosive or oxygen-rich atmosphere. To do so could result in an explosion or fire.

Also, remove or move all applicable accessories out of the way when positioning table. Failure to do so could create pinch points, injuring a patient or damage to accessories or table.

## **Back Section**

The back section can be positioned at any angle between horizontal and +70°. To raise the back section, simply lift upward. To lower the back section, hold the back section while actuating the release handle; then lower or push the back section down to the desired position.



MA343600

## **Stirrups**

To erect the stirrup, grasp end of stirrup and pull stirrup straight out of table to full extension. Unfold stirrup upward to an erect position.

### **NOTE**

If you are applying any downward pressure on the end of the stirrup when sliding it in or out, it may be very difficult to move. This is normal and is part of the stirrup extension locking mechanism. For ease of movement, lift up slightly while sliding the stirrup in or out.

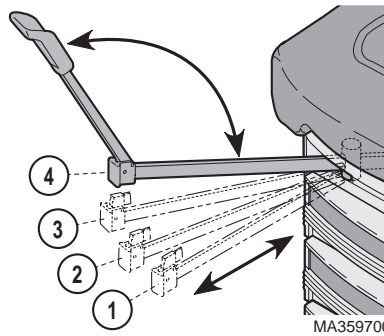
To adjust the stirrup extension length, hold the end of the stirrup and slide in or out until the desired extension is achieved.



### **WARNING**

Failure to engage the lateral locking mechanism could allow patient to lose balance resulting in personal injury to patient.

To adjust the lateral position of a stirrup, lift end of stirrup and then rotate stirrup to the right or left into one of the four possible lateral positions. The stirrup will click into each position as it is rotated. When the desired position is attained, lower stirrup to engage the lateral locking mechanism. Check that lateral locking mechanism is engaged by attempting to rotate stirrup assembly without lifting on stirrup end.



To return stirrup to storage, grasp end of stirrup and pull stirrup straight out to full extension. Fold stirrup down against bar, rotate stirrup to lateral position 1, and then slide stirrup back into stowed position.

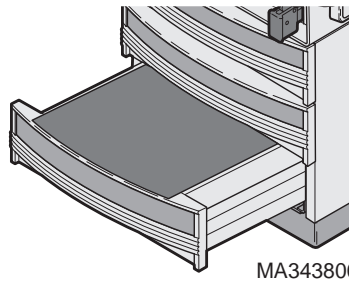
## Footstep



### WARNING

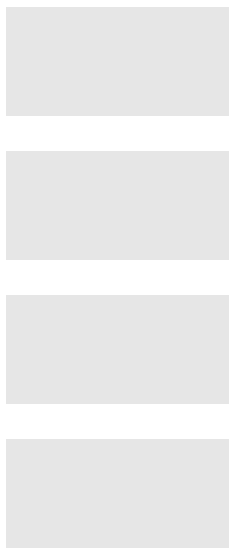
Failure to extend and lock the footstep in place could allow patient to lose balance resulting in personal injury to patient.

Grasp the footstep and pull the footstep outward until it is fully extended. When fully extended, the footstep will drop 6.35 mm (1/4 in.) and lock into position, preventing the footstep from accidentally retracting when a patient steps onto or off of it.



To return the footstep to its storage position, raise the footstep approximately 6.35 mm (1/4 in.) and slide the footstep back into the table.

## Operation



## Footrest



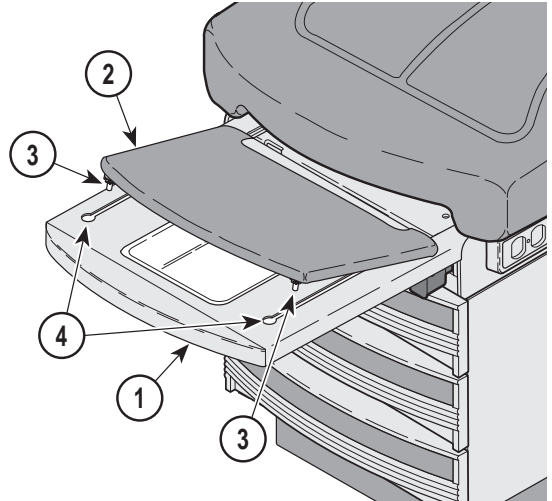
### WARNING

The footrest extension is not intended to be extended during front entry onto or exit off of the table; nor is it intended to be used as a seat. Failure to heed this warning could result in serious personal injury to patient.

To position the footrest (1), pull footrest out to the desired position. The upholstered pad (2) on the footrest will extend with the footrest.

To remove the upholstered footrest pad (2) from the footrest (1), fully extend the footrest and lift the upholstered pad straight up off the footrest.

To replace the upholstered footrest pad (2), align pad glides (3) with slots (4) in footrest (1) and install. Slide footrest into table.

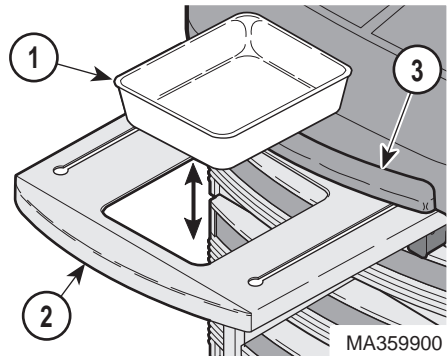


## Operation

### Treatment Pan

To expose the treatment pan (1) for use, grasp the footrest (2) and pull until footrest is fully extended. Then, slide upholstered footrest pad (3) back into table. Now, grasp the footrest (2) again and slide the footrest in or out until the treatment pan is positioned as desired.

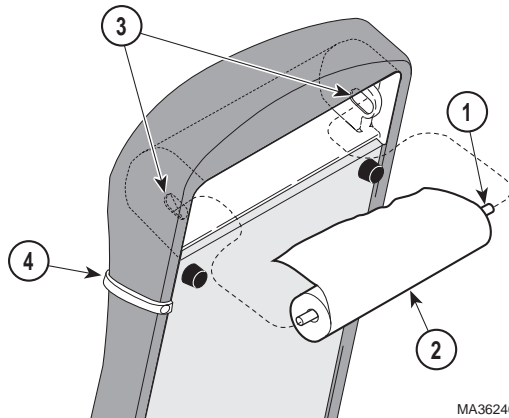
The treatment pan (1) can easily be removed for cleaning when the footrest (2) is fully extended.



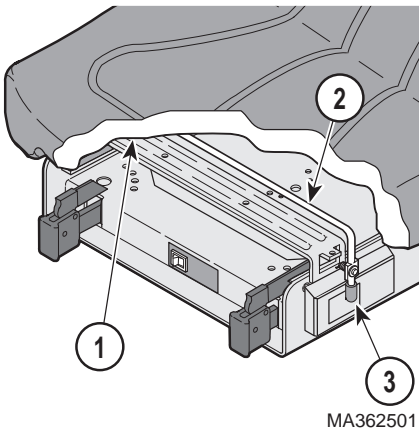
MA359900

## Paper Roll

A dowel rod (1) for supporting a paper roll is supplied with the table [the dowel rod on the styled upholstery top will support up to a 45.7 cm x 8.9 cm (18 in. x 3-1/2 in.) paper roll while the dowel rod on the soft touch upholstery top will support up to a 53.3 cm x 8.9 cm (21 in. x 3-1/2 in.) paper roll]. To install, slide the dowel rod (1) through the paper roll (2) and then insert one end of the dowel rod into one of the sockets (3), located on the rear side of the table's back section. Slide the end of the dowel rod back into the elongated hole of the socket (3) as far as possible and then push the dowel rod into the hole until the other end of the dowel rod can be inserted into the other socket (3). Center the dowel rod (1) and pull it forward to the front of the sockets. Pull the paper over the table top and feed paper under two retaining straps (4).



## Pelvic Lift (optional)



To raise the seat section (1) to the Pelvic Lift Position, grasp the lower edge of the seat section and raise slightly until the spring-loaded pelvic lift support bar (2) snaps to its full upright and locked position. Lower the seat section onto the support bar.

To lower the seat section (1) back to normal position, grasp the edge of the seat section and raise slightly; then rotate pelvic lift support bar (2) down by pulling on its handle (3); then lower the seat section down.

## Operation


## Drawer Heater




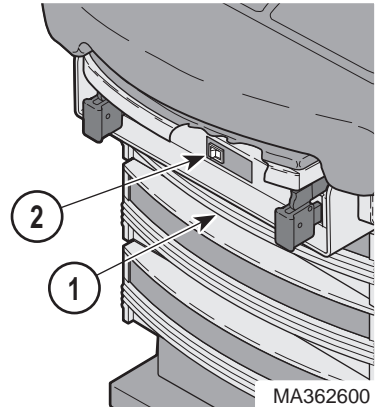
### CAUTION

The drawer heater may be touched when reaching in the top drawer; it is hot and could result in minor burns to hands. Also, the metal surface above drawer may be hot and could result in minor burns to your hand. Do not let contents of the top drawer exceed the top of the drawer; contents packed above the drawer top could be damaged by the drawer heater.

The drawer heater preheats the contents of the top drawer (1) on the foot end of the table to approximately body temperature.

To operate the heater, turn the heater on/off switch (2) to ON "I" . The switch will illuminate to indicate that the heater is operating.

To turn the heater off, turn the heater on / off switch (2) to OFF "O" . The switch will stop illuminating, indicating that the heater is no longer operating.





## List of Authorized Accessories

Listed below are the accessories which are authorized for use with this table.

Accessory / Option Name	Order Number	Restrictions / Intended Use
Knee Crutches	9A0100X	<b>Intended Use</b> - To provide support for the knees and legs during a pelvic examination.
Armboard w/2 brackets	9A0200X	<b>Intended Use</b> - To hold an arm in a secure position. <b>Restrictions</b> - Do not use simultaneously on same side of table with 9A21000X, Siderail.
Procto Rest	9A0400X	<b>Intended Use</b> - To provide patient support and positioning during a proctological exam.
Stainless Drain Pan	9A7000X	<b>Intended Use</b> - To provide a sterilizable container to hold or store items or debris for or from an examination or treatment. The drain pan is not intended to hold more than 29.6 c.c. (1 oz.). <b>Restrictions</b> - Do not use simultaneously with 9A10400X, Urology Drain Pan.
Urology Drain Pan w/hose	9A10400X	<b>Intended Use</b> - To provide a sterilizable container to strain fluids from a urological examination or procedure and to allow for the drainage of the strained fluid through a hose. <b>Restrictions</b> - Do not use simultaneously with 9A7000X, Stainless Drain Pan.
Pelvic Lift	9A10500X	<b>Intended Use</b> - To assist in positioning the patient for a pelvic examination.
Welch Allyn Bracket	9A18000X	<b>Intended Use</b> - To hold Welch Allyn Light on the examination table.
Knee Crutches	9A20600X	<b>Intended Use</b> - To provide support for the knees and legs for pelvic examinations.
Siderail	9A21000X	<b>Intended Use</b> - To provide patient support and security. <b>Restrictions</b> - Do not use simultaneously on same side of table with 9A0200X, Armboard.
Pull Out Foot Extension	Standard Equipment	<b>Intended Use</b> - To provide support for the patients feet during an examination or a procedure. The foot extension is not intended to be extended during front entry onto or exit off of the table; nor is it intended to be used as a seat.
Treatment Pan	Standard Equipment	<b>Intended Use</b> - To provide a convenient container to hold or store items or debris for or from an examination or treatment. The drain pan is not intended to hold more than 29.6 c.c. (1 oz.). <b>Restrictions</b> - Do not use simultaneously with 9A7000X, Stainless Drain Pan or 9A10400X, Urology Drain Pan.

Operation

Accessory / Option Name	Order Number	Restrictions / Intended Use
Replacement Colored Drawer Front Inserts	9A24400X	<i>Intended Use</i> - To provide replacement inserts.

## Patient Positioning

The table is designed to accommodate the following examination positions:

- Full Flat Table Position
- Chair Position
- Lithotomy (Pelvic) Position

## OPERATOR MAINTENANCE

### Preventive Maintenance

Little routine maintenance is required other than periodic inspection of the electrical cord to ensure it is free of cuts or damage, periodic inspection of the mechanical functions to ensure satisfactory operation, and periodic check of fasteners to ensure they are present and tightened securely.

Have your authorized dealer inspect your table every six months. Oil moving parts (such as back hinge, pelvic tilt points, and the stirrup indexing pivot) with a light machine oil to assure quiet, smooth, and dependable operation.

### Cleaning

#### Upholstery



#### **EQUIPMENT ALERT**

The upholstery material that covers the top of the table is resistant to most medicinal-types stains, but may be damaged by solvents and dyes. Remove any fluids which are spilled on the upholstery immediately.

Regular care should be maintained by daily wiping with a damp cloth or sponge, and periodic cleaning with a mild soap and water solution.

#### Painted Metal Surfaces

Wipe all painted metal surfaces with a clean cloth at least once a week. Apply paste wax periodically to preserve the surface luster.

## Drawers



### **CAUTION**

Turn off drawer heater and let it cool before removing top foot drawer for cleaning. Failure to do so could result in minor burns.

The drawers may be removed for cleaning by pulling drawer straight out.

## Drawer Insert Panels

Wipe all drawer insert panels with a clean cloth at least once a week. Apply paste wax periodically to preserve the surface luster. If necessary, the insert panels can easily be removed for cleaning by reaching up from behind and pushing out on insert panel with index finger.

## Unpainted Metal Surfaces

Wipe all unpainted metal surfaces with a clean cloth. Use petroleum jelly or other white lubricants on moving parts. Lubrication will allow free movement of sliding parts and reduce noise.

## Tread on Footstep

The protective tread material should be cleaned periodically by a light scrubbing with a stiff bristle brush, mild soap, and water.

## Fuse Replacement

1. Remove all power to unit by unplugging unit's power cord.
2. Using a flat tipped screwdriver, gently release plastic spring clips (A) on both sides of fuse drawer (1) then pull fuse drawer from fuse housing (2).
3. Pull both fuses (3) out of fuse drawer (1) and inspect. Check the fuses for any indication that they have been blown; i.e. burnt look, fuse cord melted through, etc. Discard fuses (3) if blown.



### **EQUIPMENT ALERT**

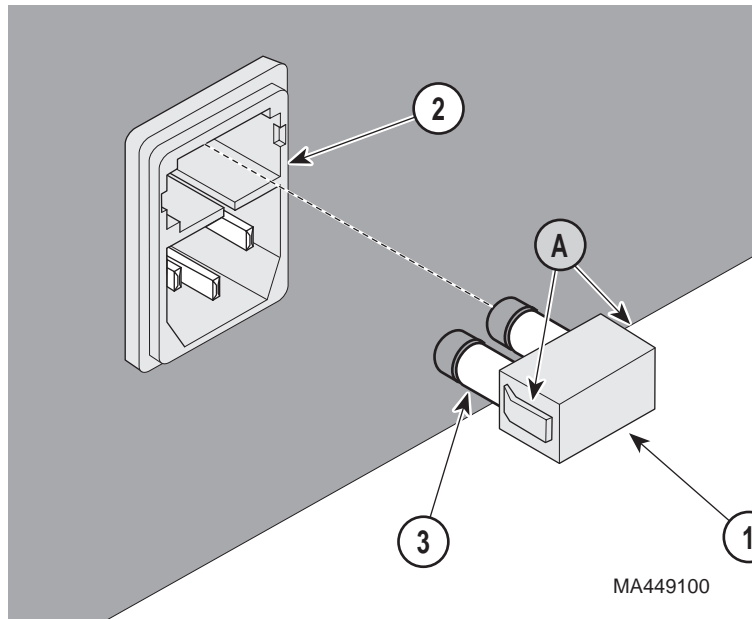
Use fuses of the same voltage rating, amperage rating, and type. Failure to do so could result in damage to the table.

4. If necessary, obtain new fuse(s) (3). The replacement fuse(s) must be a 250 VAC, 6.3 amp, IEC 127 rated, 5 x 20 mm, Time Lag Fuse.

Operation

Operator  
Maintenance

5. Insert fuse(s) (3) into fuse drawer (1).



6. Insert fuse drawer (1) into fuse housing (2) until fuse drawer snaps into place (both side of fuse drawer are locked into fuse housing).
7. Unplug any accessory or instrument plugged into the table's receptacle(s).
8. Plug in power cord to table. If fuse blows again, call for service (see calling for service in this manual).

Operator  
Maintenance

Calling For  
Service

Specifications

## **CALLING FOR SERVICE**

If you are having a problem or have a question, refer to the inside front cover of this manual and call your dealer. Make sure that you have the information that is highlighted on the inside front cover of this manual available. If you can't resolve your question or problem with your dealer, call the following number:

1-800-Midmark (1-800-643-6275) or 937-526-3662  
8:00 a.m. until 5:00 p.m. (Eastern Standard Time in the U.S.)  
Monday thru Friday, except for standard U.S. holidays.

## **SPECIFICATIONS**

**Patient Weight (Maximum)** ..... 136.0 kgs (300 lbs)  
**Weight of Table** ..... 113.4 kgs (250 lbs)  
**Back Section Adjustment** ..... 0° to 70° (±5°)

**Stirrup Extension (Maximum):** ..... 40.6 cm (16 in.)

**Stirrup Lateral Positions**..... Four lateral positions

**Footrest Extension (Maximum):** .. 25.4 cm (10 in.)

**Styled Table Top Dimensions:**

Upholstered Top ..... 68.6 cm wide x 147.3 cm long  
(27.0 in. wide x 58.0 in. long)

With Footrest Extended..... 191.8 cm (75.5 in.)

Seat Height ..... 82.6 cm (32.5 in.) to top of upholstered  
seat at foot end

Step..... 25.4 cm x 45.1 cm x 26.0 cm high  
(10.0 in. x 17.75 in. x 10.25 in. high)

Base ..... 44.4 cm x 107.6 cm x 10.5 cm high  
(17.5 in. x 42.375 in. x 4.125 in. high)

**Soft Touch Table Top Dimensions:**

Soft Touch Upholstered Top ..... 68.6 cm wide x 142.2 cm long  
(27.0 in. wide x 56.0 in. long)

With Footrest Extended..... 186.7 cm (73.5 in.)

Seat Height ..... 80.6 cm (31.75 in.) to top of upholstered  
seat at foot end

Step..... 25.4 cm x 45.1 cm x 26.0 cm high  
(10.0 in. x 17.75 in. x 10.25 in. high)

Base ..... 44.4 cm x 107.6 cm x 10.5 cm high  
(17.5 in. x 42.375 in. x 4.125 in. high)

**Electrical Requirements:** ..... 220-240  $\pm$ 6% VAC, 50/60 HZ, 5.0 amps

**Replacement Fuse Spec:**..... 250 VAC, 6.3 amp, IEC 127 rated,  
5 x 20 mm, Time Lag Fuse

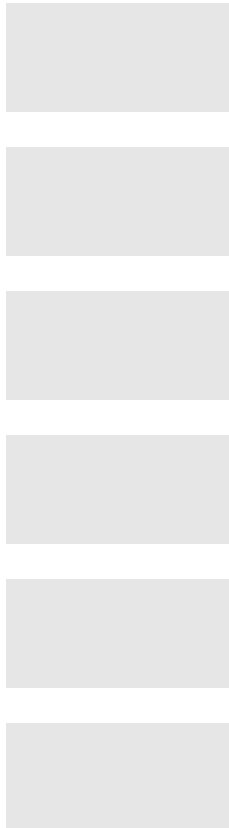
**Paper Roll For Styled Top:** ..... Can accept a paper roll up to 45.7 cm x  
8.9 cm diameter (18 in. x 3.5 in. Dia.)

**Paper Roll For Soft Touch Top:**.... Can accept a paper roll up to 53.3 cm x  
8.9 cm diameter (21 in. x 3.5 in. Dia.)

**Power Cord Sets:** ..... Extends 2.5 m (98.0 in.) 3 conductor, black  
jacketed, 10 amp, 220/240 VAC rated  
International Harmonized Cordage  
(with plug end).

**Certifications:** ..... CE Mark  
ISO-9001 Certified

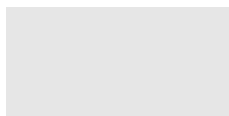
**Classifications:**..... Class 1, Type B Applied Part, Ordinary  
Equipment, Continuous Operation



**Operator  
Maintenance**

**Calling For  
Service**

**Specifications**



**Environment:**

Transportation and Storage Conditions

Ambient Temperature Range: .....-30°C to +60°C (-22°F to 140°F)

Relative Humidity ..... 10% to 90% (non-condensing)

Atmospheric Pressure..... 500hPa to 1060 hPa (0.5 bar to 1.06 bars)

Usage ..... Equipment not suitable for use in the presence of a flammable anesthetic mixture with air, oxygen, or nitrous oxide.

**LIMITED WARRANTY**

**SCOPE OF WARRANTY**

Midmark Corporation (“Midmark”) warrants to the original purchaser its new Alternate Care products and components (except for components not warranted under “Exclusions”) manufactured by Midmark to be free from defects in material and workmanship under normal use and service. Midmark’s obligation under this warranty is limited to the repair or replacement, at Midmark’s option, of the parts or the products the defects of which are reported to Midmark within the applicable warranty period and which, upon examination by Midmark, prove to be defective.

**APPLICABLE WARRANTY PERIOD**

The applicable warranty period, measured from the date of delivery to the original user, shall be one (1) year for all warranted products and components.

**EXCLUSIONS**

This warranty does not cover and Midmark shall not be liable for the following: (1) repairs and replacements because of misuse, abuse, negligence, alteration, accident, freight damage, or tampering; (2) products which are not installed, used, and properly cleaned as required in the Midmark “Installation” and or “Installation / Operation Manual for this applicable product. (3) products considered to be of a consumable nature; (4) accessories or parts not manufactured by Midmark; (5) charges by anyone for adjustments, repairs, replacement parts, installation, or other work performed upon or in connection with such products which is not expressly authorized in writing in advance by Midmark.

**EXCLUSIVE REMEDY**

Midmark’s only obligation under this warranty is the repair or replacement of defective parts. Midmark shall not be liable for any direct, special, indirect, incidental, exemplary, or consequential damages or delay, including, but not limited to, damages for loss of profits or loss of use.

**NO AUTHORIZATION**

No person or firm is authorized to create for Midmark any other obligation or liability in connection with the products.

**THIS WARRANTY IS MIDMARK'S ONLY WARRANTY AND IS IN LIEU OF ALL OTHER WARRANTIES, EXPRESS OR IMPLIED. MIDMARK MAKES NO IMPLIED WARRANTIES OF ANY KIND INCLUDING ANY WARRANTIES OF MERCHANTABILITY OR FITNESS FOR ANY PARTICULAR PURPOSE. THIS WARRANTY IS LIMITED TO THE REPAIR OR REPLACEMENT OF DEFECTIVE PARTS.**

SF-1487 REV. A1

Limited  
Warranty

# DECLARATION OF CONFORMITY



## MIDMARK CORPORATION

Midmark Corporation declares that Model 304-005, 304-006, 304-015, and 304-016 conforms to the applicable requirements of the Medical Device Directive 93/42/EEC, Annex VII.

Serial Number: GL1000 & LC1000 to present.

Quality Assurance Manager

Gene Harshbarger  
Midmark Corporation  
60 Vista Drive  
Versailles, Ohio 45380 U.S.A.  
April 28, 1998

077-0128-00 (Rev. C)

# MIDMARK®

Midmark Corporation, Versailles, Ohio 45380 U.S.A.  
937-526-3662 FAX: 937-526-5542