

# evolve™



## Auto-Diverting Tub Spout System

+ ShowerStart® TSV

MULTI FUNCTION HANDSHOWER  
1.5 gpm

### FEATURES

- Reduces warm-up waits by 2x or more
- Auto diverts hot water to the handshower once it arrives
- Integrated ShowerStart TSV (Thermostatic Shut-Off Valve) prevents unintended hot water use during shower warm-up
- Anti-leak tub spout design
- Quick Connect mounting options for:
  - ½" slip-fit connection (copper or galvanized pipe)
  - ½" and ¾" NPT threaded connection
- Includes WaterSense certified multifunction handshower

### SHOWERSTART® TSV

- Tub spout automatically diverts hot water to handshower once 95°F (35°C) water arrives
- Specialized handshower trickles until user begins showering
- Normal handshower flow is activated by pulling lanyard
- System automatically resets for next use
- Integrated bypasses for bathing or cold showers
- For use with static water pressures >35 psi

### PRODUCT SPECIFICATION

The tub spout component of the Auto-Diverting Tub Spout System with ShowerStart TSV shall attach to either a ½" slip-fit connection (copper or galvanized pipe), ½" NPT threaded connection or a ¾" NPT threaded connection. Once installed, its integrated ShowerStart TSV shall automatically divert water measuring 95°F (35°C) or greater to the system's specialized WaterSense handshower. Water shall not leak from the tub spout while it is being diverted to the handshower. The tub spout's auto diverting feature may be bypassed for the purpose of taking a bath, however the tub spout shall automatically return to its default position after bathing is completed.

The specialized WaterSense handshower component of the Auto-Diverting Tub Spout System with ShowerStart TSV shall attach to shower arms with ½" NPT male fittings. The handshower shall include an integrated valve residing in a normally closed position. As a result, water shall only trickle from the handshower when it initially reaches the fixture. The trickle shall continue until the user activates normal flow by pulling on the handshower's lanyard or toggling the lever to which the lanyard is attached. Once water flow to the specialized handshower is terminated its integrated valve shall automatically return to its normally closed position.

The Auto-Diverting Tub Spout System with ShowerStart TSV is designed to operate in tub/shower combination bathing units with static water pressures of 35 psi or higher. It is not compatible with 3-handled diverters.

MODEL NO.	DESCRIPTION	FINISH	SPRAY PATTERN	HDSHWR FLOW RATE	INCL MOUNTS
EV3342-CP150-SB	ADTS w/ multifunction handshower	chrome	multi	1.5	yes
EV3382-CP150-BP	ADTS w/ multifunction handshower, contractor version	chrome	multi	1.5	no
EV3102-XX000-BP	Mount: 1/2" Slip-fit Quick Connect				
EV3103-XX000-BP	Mount: 1/2" NPT Threaded Quick Connect				
EV3104-XX000-BP	Mount: 3/4" NPT Threaded Quick Connect				

# Auto-Diverting Tub Spout System

Multifunction Handshower



evolve

## PHYSICAL CHARACTERISTICS

### Auto-Diverting Tub Spout

- Chrome plated finish
- Bypass lever for bathing or cold showers
- Quick Connect mounting options:
  - ½" slip-fit connection (copper or galvanized pipe)
  - ½" NPT threaded connection
  - ¾" NPT threaded connection
- Size (LxWxH): 6.25" x 3.125" x 3" / 16 cm x 8 cm x 7.5 cm
- Weight: 12 oz. (340 g)

## CODES / STANDARDS APPLICABLE

- Uniform Plumbing Code (cUPC)
- WaterSense
- IAPMO IGC 244
- ASME A112.18.1 / CSA B125.1
- Conforms to A112.18.1. For use with automatic compensating valves rated at 1.1gpm (4.2 L/min) or less.

## PHYSICAL CHARACTERISTICS

### Specialized WaterSense Handshower

- Chrome plated finish
- Multifunction— full body & massage spray patterns + soap-up pause setting
- 50 rub-clean, anti clog spray nozzles
- Pressure compensating flow technology
- Integrated normally closed valve with bypass
- 59" stainless steel hose with brass fittings
- 12" detachable lanyard
- Shower Arm Mount
- Plated ABS body with brass ½" NPT fittings (female)
- Size (handshower): 3.5" x 1.25" x 8.75" / 8.9cm x 3.2cm x 22cm
- Weight (handshower, mount & hose): 18 oz. (519 gm)

### CERTIFIED SUPERIOR PERFORMANCE

part	max flow at 80 psi	min flow at 45 psi
1.5 gpm Handshower	1.5gpm (5.7 L/min)	1.1gpm (4.2 L/min)
1.75 gpm Handshower	1.75gpm (6.6 L/min)	1.3gpm (4.9 L/min)
2.0 gpm Handshower	2.0gpm (7.6 L/min)	1.5gpm (5.7 L/min)

## TECHNICAL CONSIDERATIONS

### Compatibility:

- For use in homes with static water pressure >35 psi
- Works with galvanized or copper plumbing
- NOT compatible with showers containing a wall mounted diverter
- Tankless systems require a minimum flow rate to produce hot water. With some tankless systems, a brief yet noticeable change in the shower's temperature may occur shortly after resuming the shower's normal flow

### Default operating mode:

- The system's default mode assumes a shower will be taken

### Bypass auto-divert for bathing:

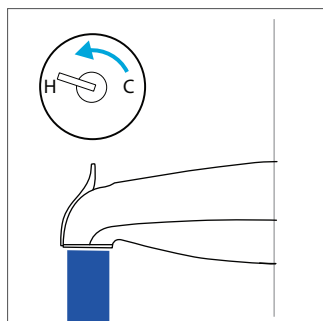
- PUSH on the tub spout's diverter after auto-diverting has activated to bypass the handshower, filling the tub with hot water

### Auto resets for next use:

- The system automatically resets to its default mode after a shower or bath is completed

### ShowerStart TSV:

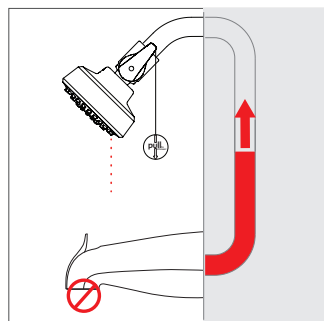
- ShowerStart TSV is not an anti-scald device
- Lower water heater to 120° F (49° C)
- Always resume water flow and check water temperature before entering shower



### 1 Turn on water

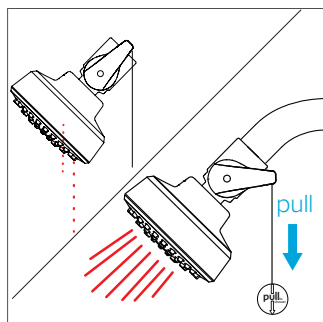
Cold water exits spout

Continue with your typical routine - the things you do while waiting for the shower to become warm.



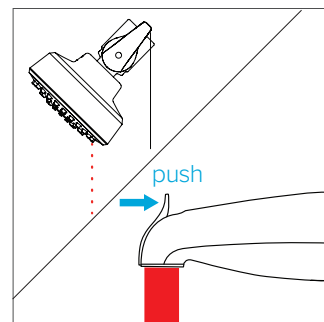
### 2 Auto Diverts, then Showerhead Trickles

When hot water arrives, ShowerStart Technology automatically diverts flow. Showerhead trickles - saving hot water until you get in.



### 3 Pull Cord When Ready To Get In

Pull the cord to activate normal flow and begin showering.



### 4 Option: Taking a Bath

If a bath is preferred, simply push tub spout lever back to its original position.