

**ELECTRIC BARBECUE GRILL
PPQ2020**

PowerPac®

**SAFETY
MARK**

2 YEARS WARRANTY



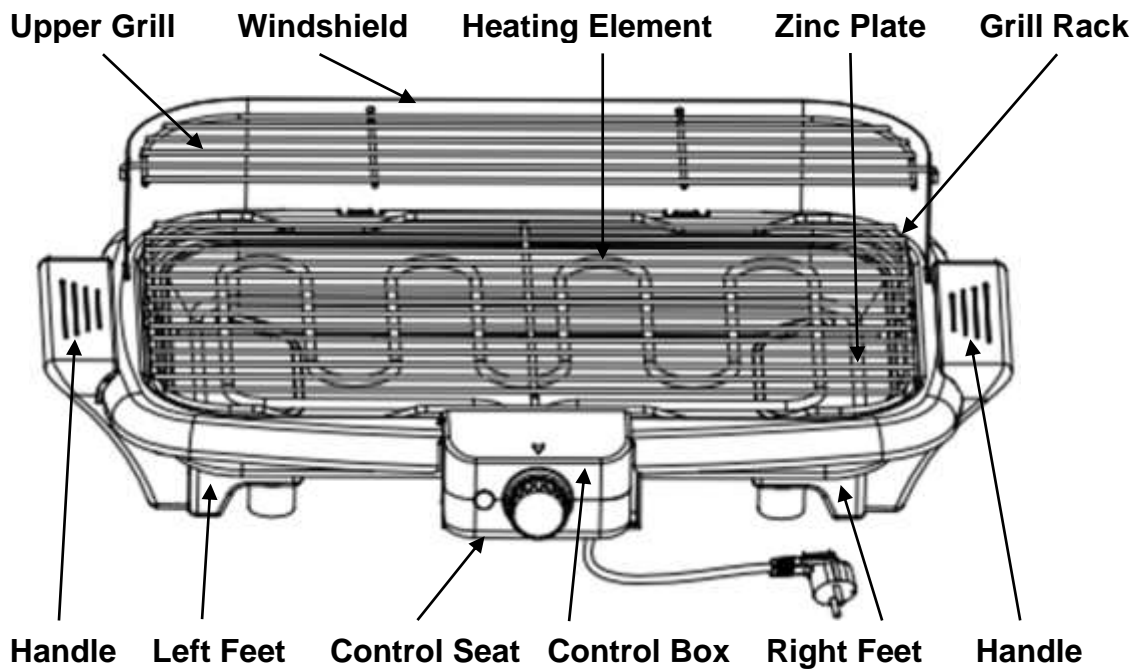
Model No.: PPQ2020

AN ASME-LIANHE ZAOBAO AWARD
新加坡金字品牌奖
Singapore
Prestige
Brand Award
2020/21
Winner, SPBA - Established Brands

Parts & Description

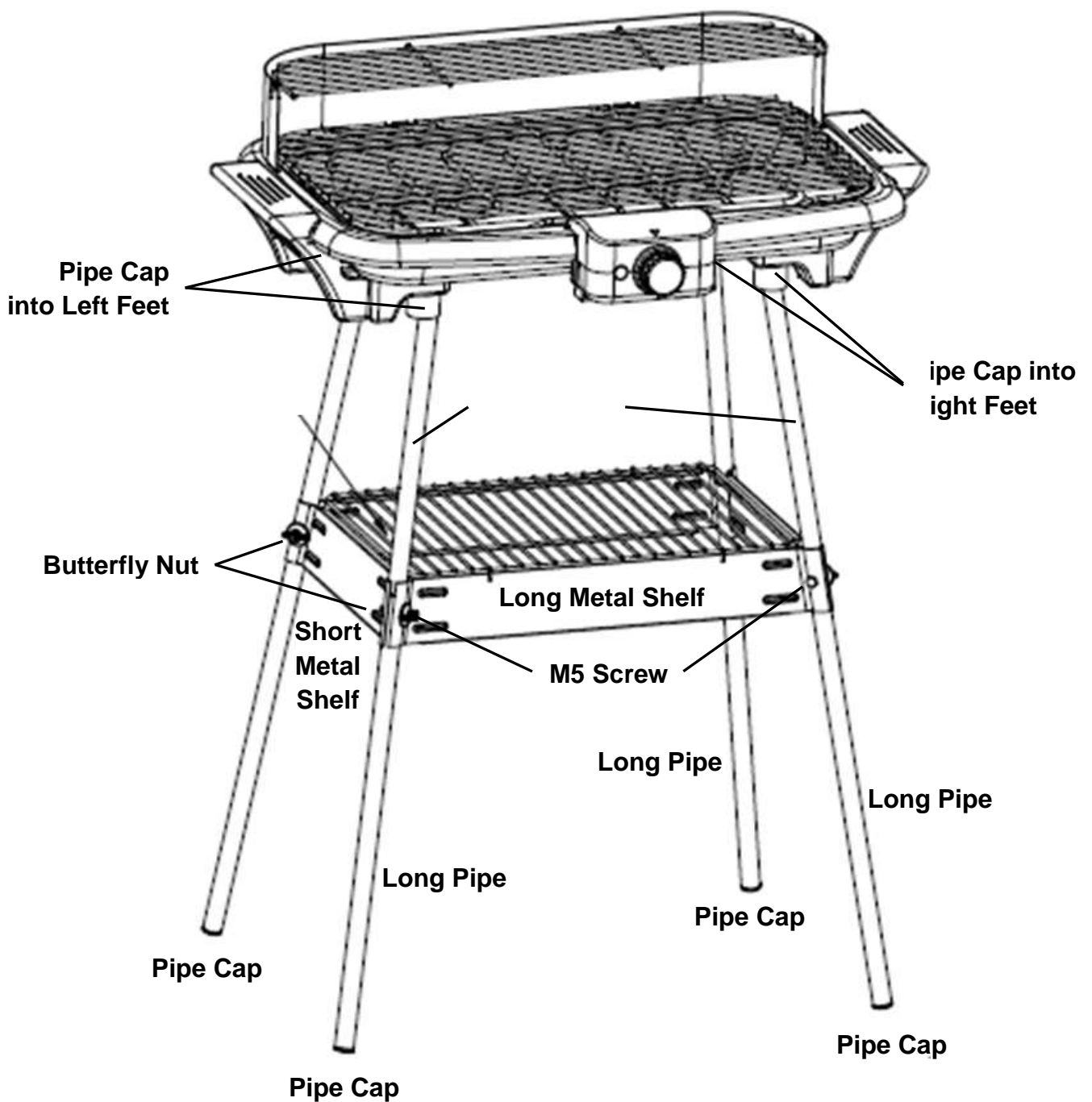
LIST OF COMPONENTS

1. Control Seat
2. Body
3. Handle (2 pcs)
4. Left Feet (2 pcs)
5. Right Feet (2 pcs)
6. Zinc Plate
7. ST2.9 Screw (4 pcs)
8. M4 Nut
9. Straight Metal Pipe
10. M4 Screw
11. Windshield
12. Heating Element & Control Box
13. Grill Rack
14. Upper Grill

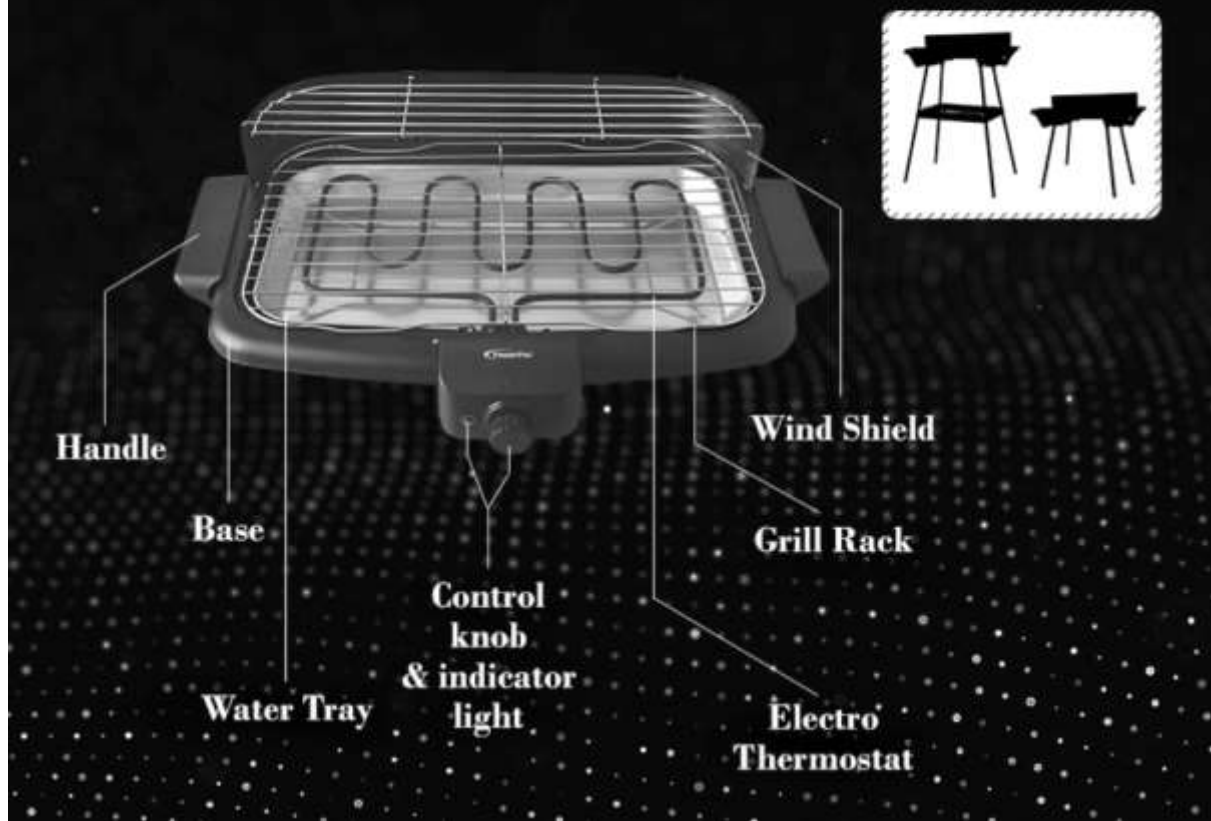


LIST OF COMPONENTS

- A1. Short Pipe
- A2. Long Pipe
- A3. Short Metal Shelf
- A4. Long Metal Shelf
- A5. Butterfly Nut
- A6. M5 Screw
- A7. Pipe Cap (8 pcs)
- A8. Small Grill



Product Details

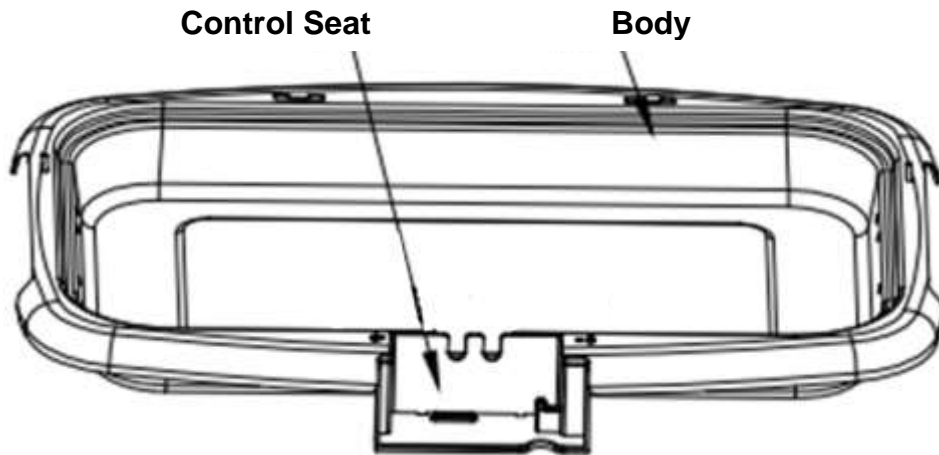


HOW TO ASSEMBLE

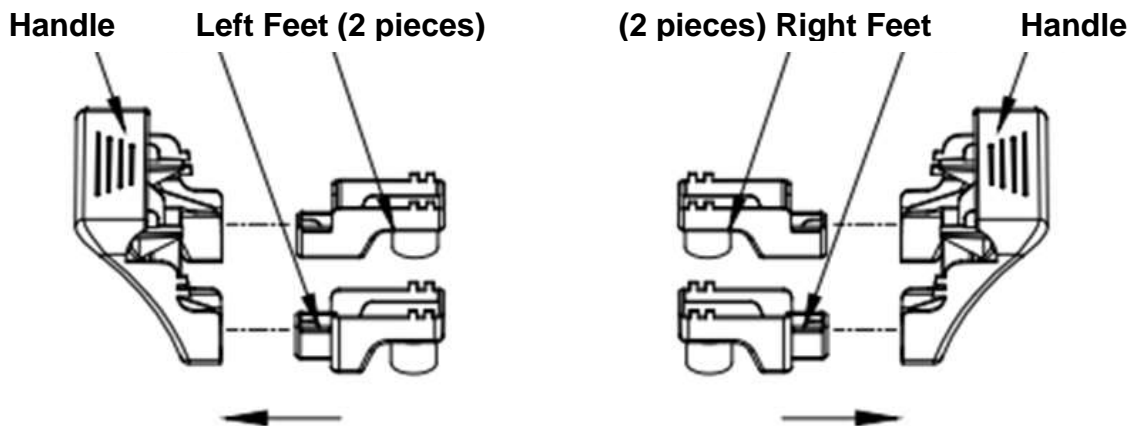
1. Unpack all parts from the package and place them on the floor.

THE GRILL RACK ASSEMBLY

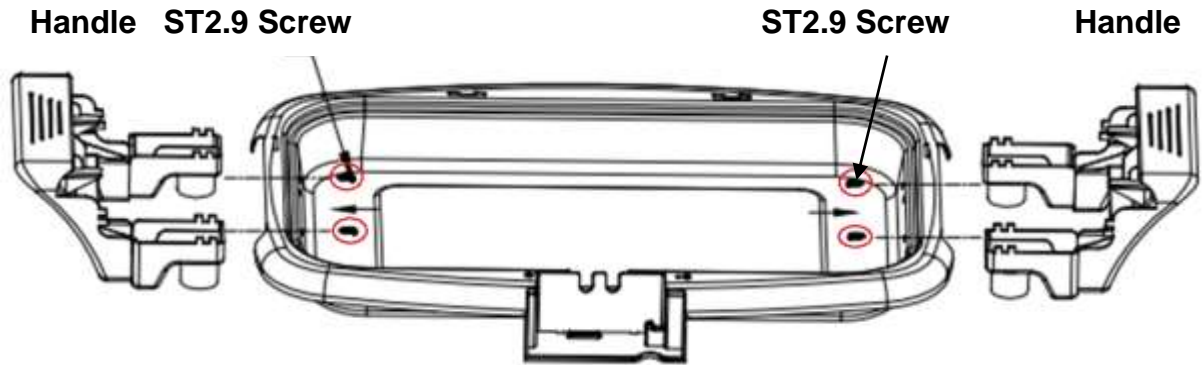
2. Clean the Grill Rack and its accessories.



3. Insert the two Left Feet and the two Right Feet into their allotted slots in each of the plastic Handles.

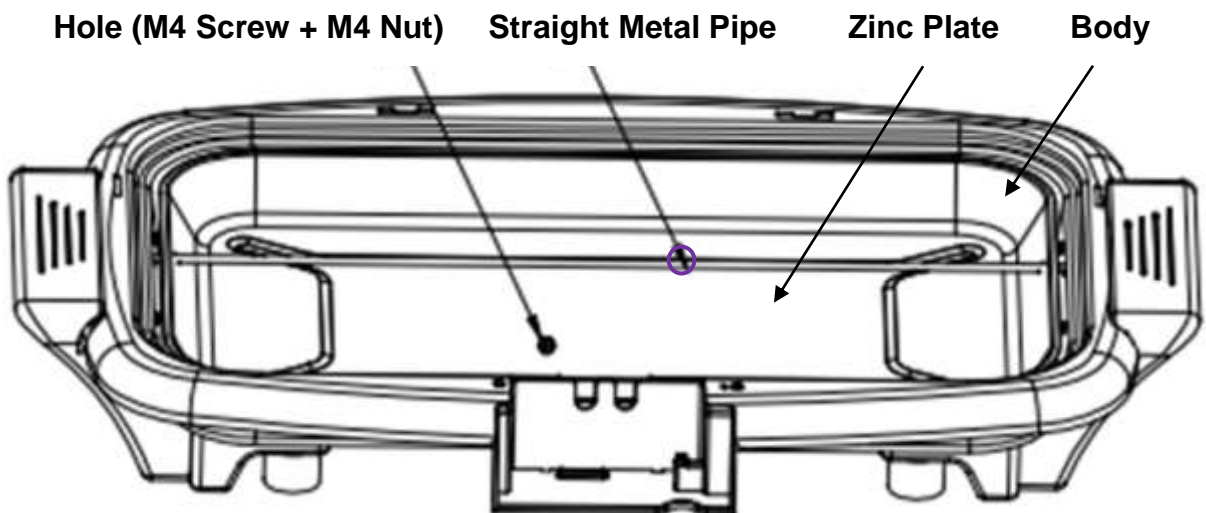


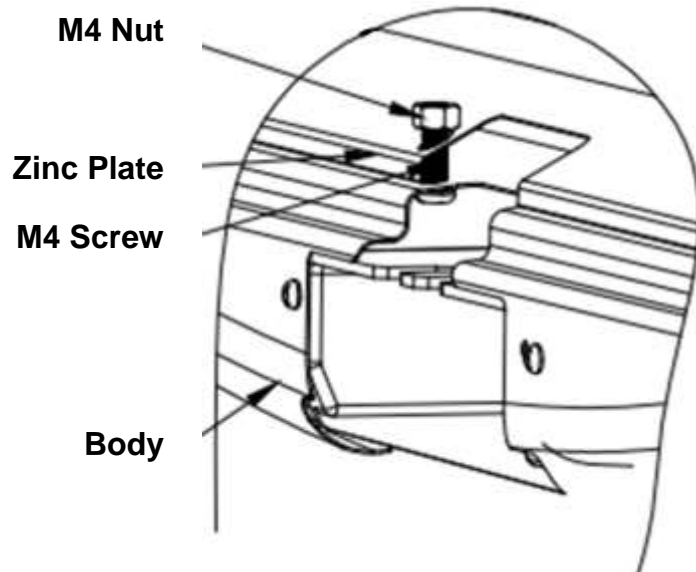
- There are two holes on each plastic Handle and also on each side of the metal Body. Join each plastic Handle onto the metal Body at each end by threading four ST2.9 screws into each of the four holes (two at each end). The two Handles are now attached to the Body.



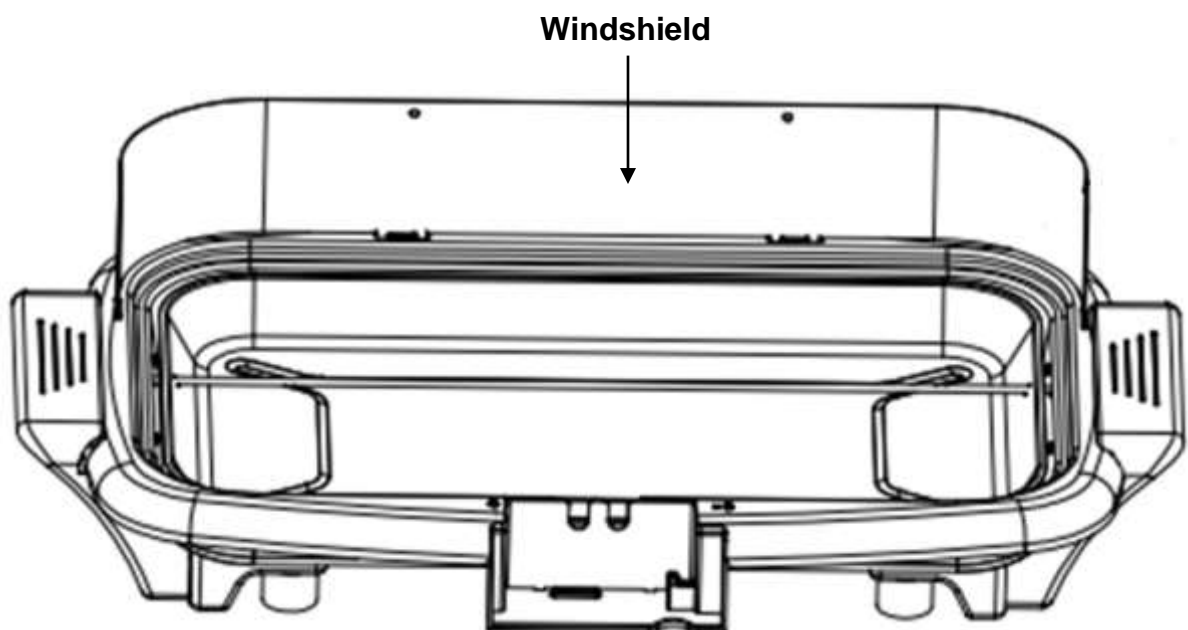
- Place the Zinc Plate onto the Body. Insert the straight metal pipe through 2 holes of Zinc Plate and body on two sides.

Also, align the bottom holes in the Zinc Plate and the Body, and thread the M4 Screw through the holes. Use the M4 Nut to fasten the Zinc Plate to the Body.

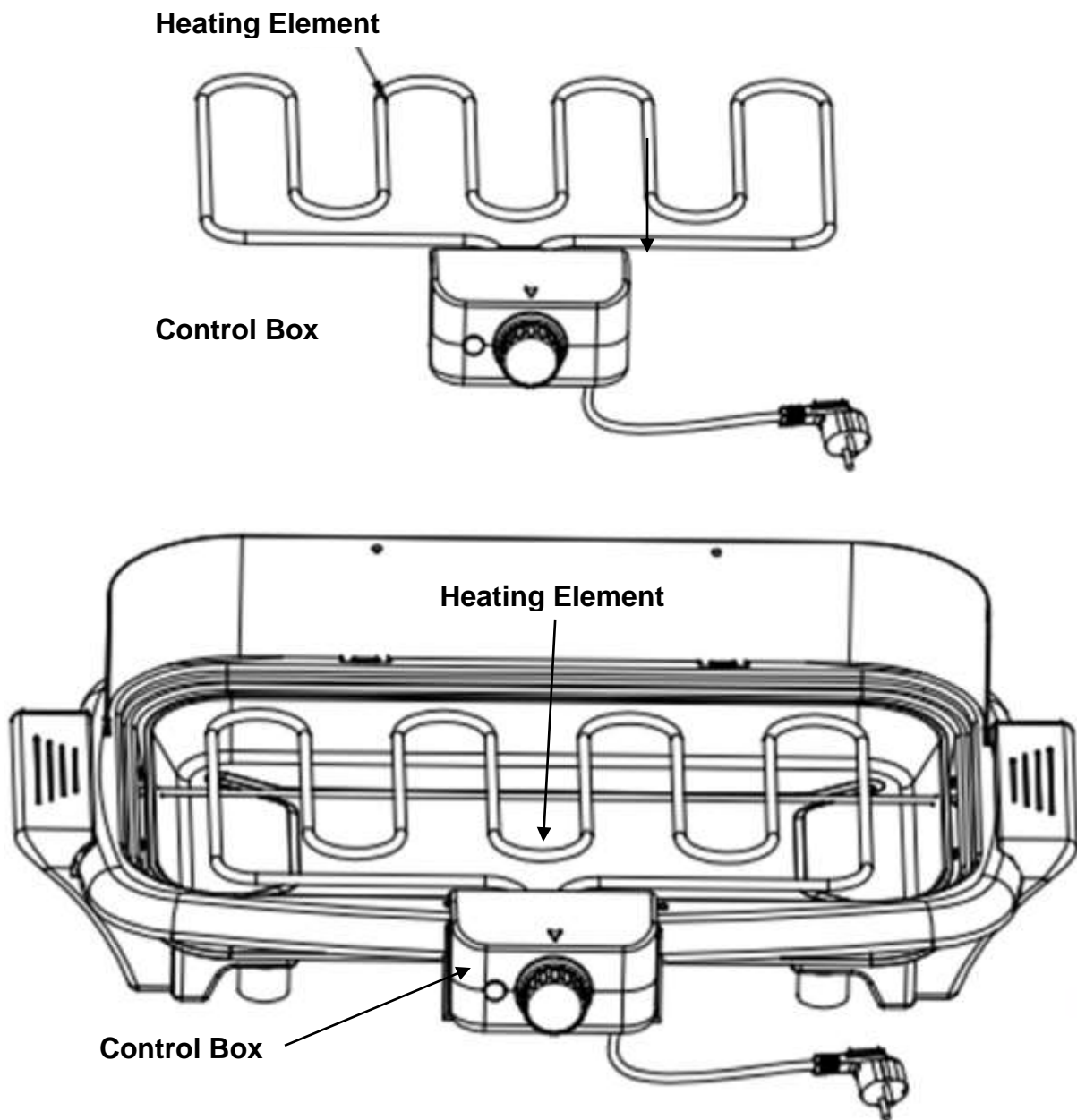




6. Fix up the Windshield according to the diagram shown below.



7. Slide the Heating Element onto the Straight Metal Pipe, with the attached Control Box onto the Control Seat.



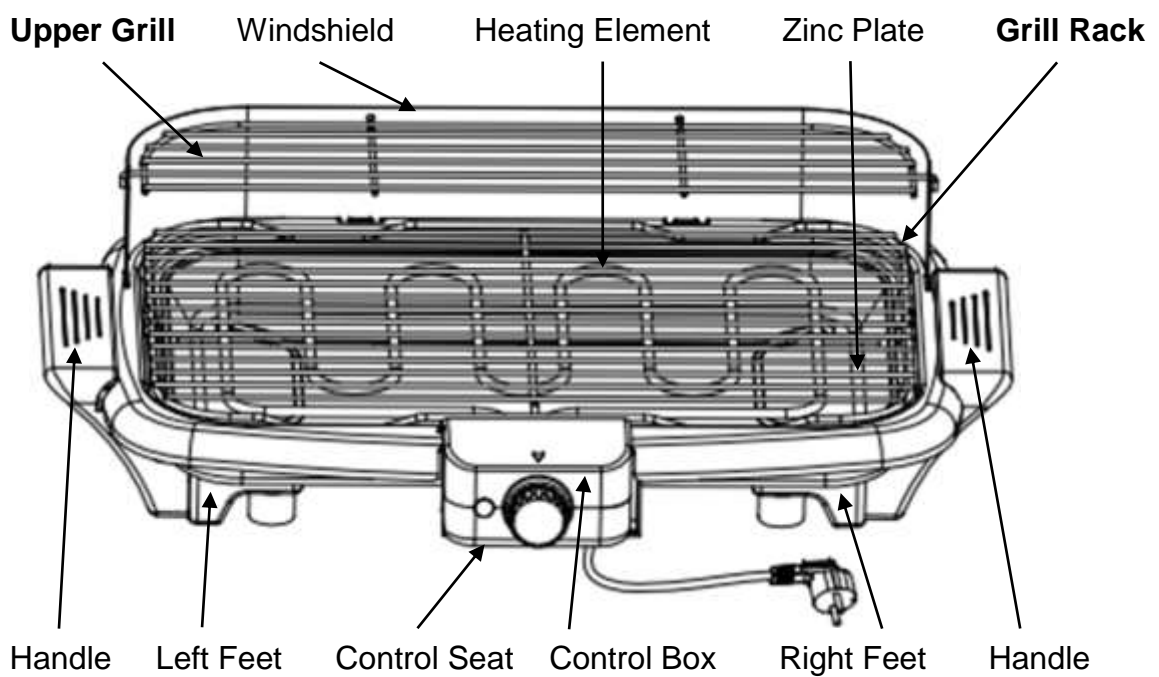
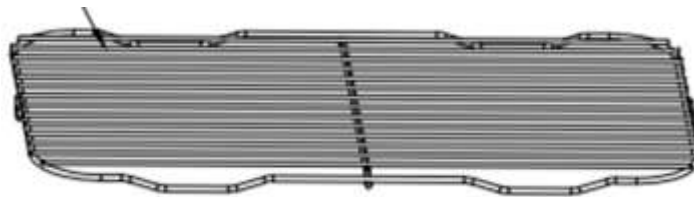
When in operation, fill the body with water up to the '0.9L' mark.

8. Fix the Grill Rack on top of the Heating Element, alongside the Control Box and Handles. Fix the Upper Grill onto the Windshield.
- The Grill Rack Assembly is completed.



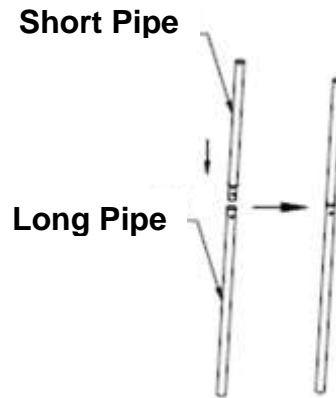
Upper Grill

Grill Rack

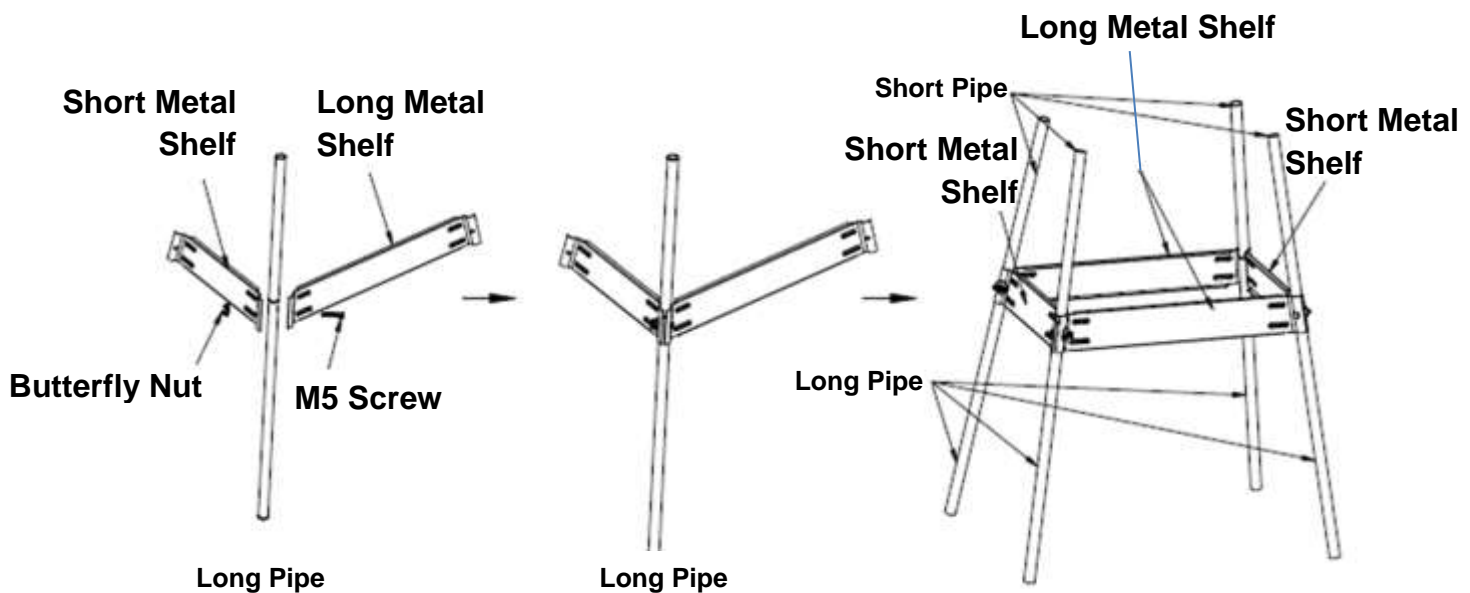


THE GRILL STAND ASSEMBLY

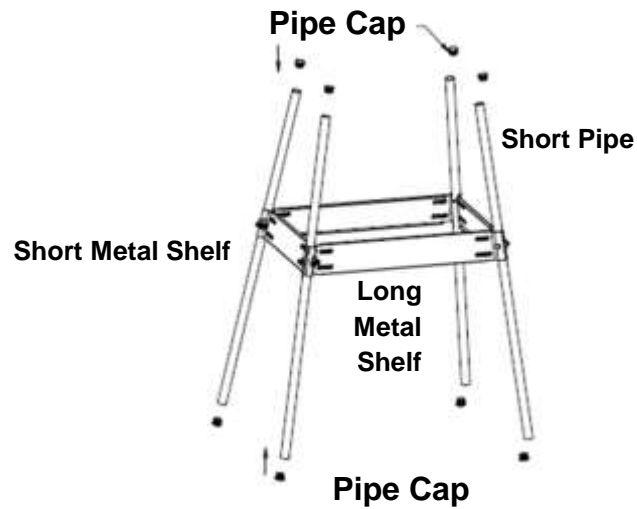
9. Join A1 **Short Pipe** to A2 **Long Pipe** to produce one of four legs of the Grill Stand Assembly. Repeat the process another 3 times to produce the other three legs.



10. Join A3 **Short Metal Shelf** to A4 **Long Metal Shelf** using A5 **Butterfly Nut** and A6 **M5 Screw**. Repeat the process until all four legs are locked together.

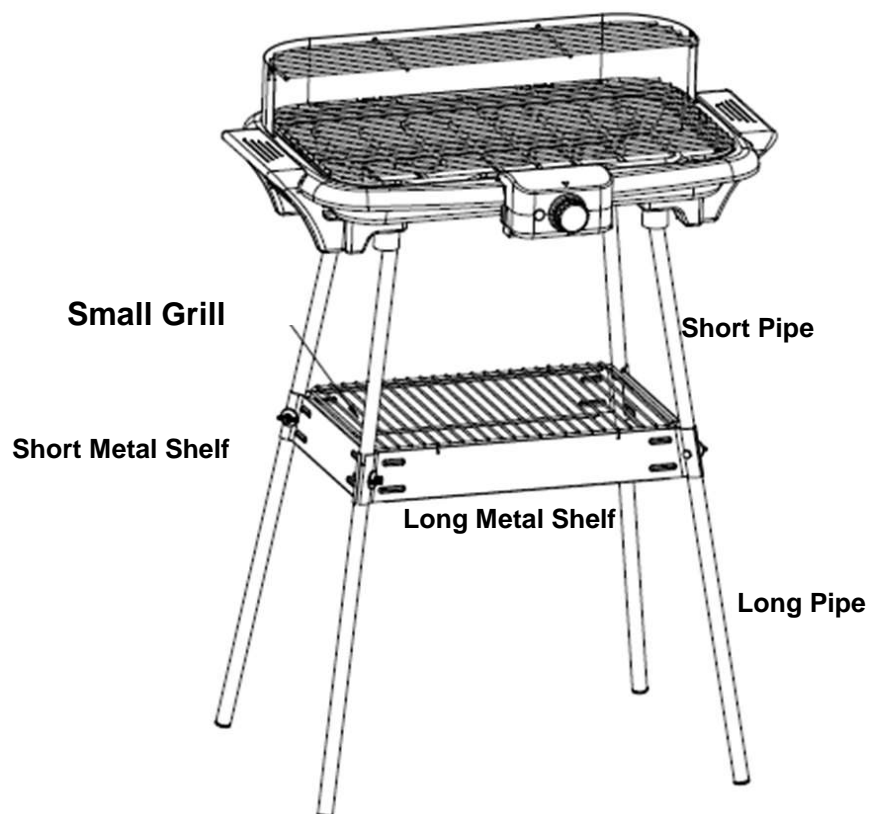


11. Attach one **A7 Pipe Cap** to each end of the four legs (8 in total).



12. Place the **A8 Small Grill** on top of the metal shelf (made up of the **A3 Short Metal Shelf** & **A4 Long Metal Shelf**).

Insert **each leg** of the Grill Stand Assembly into the openings of the **Left Feet** and **Right Feet** of the Grill Rack Assembly.



Warnings

ATTENTION :

Read this booklet carefully as it contains important instructions for a safe installation, use and maintenance.

Important instructions to be kept for future reference.

The following basic precautions should always be followed when using electrical appliances:

1. Read all instructions before using the appliance.

The Appliance

2. This appliance must be used only for the purpose it was expressly designed; any use NOT complying with the instructions contained in the manual is considered inappropriate and dangerous. The manufacturer is NOT responsible for possible damages caused by the inappropriate and/or unreasonable use.
3. The installation/assembly of the appliance will be made in accordance with the indications of the manufacturer. A wrong procedure may cause damages to persons, animals or objects, for which the manufacturer cannot be considered responsible.
4. Before use, check the integrity of the appliance and power cable. DO NOT operate the appliance when its housing is damaged. In case you are not sure, contact a qualified person. If the power cable is damaged, it must be replaced by the manufacturer or its service agent or a qualified technician in order to avoid a shock hazard.
5. Before powering the appliance make sure the rating (voltage and frequency) corresponding to the grid and the socket is suitable for the plug of the appliance, and that the wall socket is properly grounded.
6. DO NOT power the appliance using multiple sockets. If possible, avoid the use of adapters and/or extension cables; if their use is absolutely necessary, use only materials in compliance with the current safety regulations and according to the electrical parameters of the adapters.
7. The appliance must NOT be switched on using external timers and/or other remote control appliances which are not specified in this manual.
8. Only use original components & accessories (e.g. Control Box, Control Seat, Heating Element, Zinc Plate, Windshield, Grills, Handles, Shelves, Pipes, Feet, etc.) provided by the manufacturer. Any non-original component or accessory NOT recommended by the manufacturer (including, but not limited to, Control Box, Control Seat, Heating Element, Zinc Plate, Windshield, Grills, Handles, Shelves, Pipes, Feet, etc. made by other manufacturers or by the same manufacturer but for other models of the same capacity or otherwise) may cause

injuries to persons or damage to the appliance.

9. The packing materials (plastic bags, expanded polystyrene, etc.) must be kept out of the reach of children or disabled persons since they represent potential sources of danger.

Location

10. This appliance is NOT suitable to be used or stored near heat sources (open flame, ovens, heaters, stoves, etc.) and/or in an explosive environment (in the presence of flammable substances such as gas, vapour, mist or dust, in atmospheric conditions when, after ignition, the combustion is spread in the air). Items containing these substances should never be placed in the appliance, and never be used to clean the appliance in order to avert the risk of fire or explosion. Firefighting equipment should always be made available and placed in an easily assessable area next to the appliance before operating the appliance.
11. This appliance should be used in an outside, well-ventilated area, NOT next to a wall or corner. Place the appliance at a proper distance from objects or surrounding walls making sure that its functioning will not cause accidental damages. There should be at least 100 cm of free space from the back, left & right sides, and the top of the appliance. Never put things on top of the appliance.
12. Place and use the appliance on a horizontal, stable and heat-resistant surface, impervious to splashes and stains. The appliance should NOT be placed on a surface or in the vicinity of objects which can be damaged by heat, such as carpets or plastics. DO NOT locate multiple portable socket outlets or power supplies at the bottom or rear of the appliance. When using the appliance, the surface that the appliance is placed upon as well the surface immediately above may become very hot. If the appliance is operated on wooden furniture, use a protective pad to prevent damage to delicate finishes.
13. Avoid placing the power cable on abrasive or sharp surfaces or in positions where it can be damaged easily. The cable must NOT be placed under carpets, or covered with throw rugs, runners or similar. Arrange the cable away from the high traffic area, and where it will NOT be tripped over.
14. DO NOT store the appliance outdoors. Store and use the appliance only indoors, or in any case, protected from weathering such as rain, direct radiation of the sun and dust.

Operation

15. If you are using the appliance for the first time, you should:
 - a. Clean the inside surfaces of the appliance, Grill Rack, Upper Grill, Zinc Plate & Windshield with water & detergent with a non-abrasive sponge.
DO NOT use metal scouring pads. Notice: you may use a dishwasher to clean the Grill Rack and Upper Grill.

- b. Ensure that the appliance is completely dry before use.
- c. The following items should NOT be placed in the appliance during heating as they may create a fire or risk of electric shock:
 - oversized foods or metal utensils must NOT be inserted into the appliance;
 - containers constructed of any materials (including but not limited to: cardboard, plastic, paper, glass, rubber, silicone, metal, etc.) other than aluminium foil, and ensure that the containers used are approved for use at the set temperature;
 - any solid material such as an aluminum foil or tray, barbecue dishes or other items that wraps around or cover entirely or almost entirely, the Grill Rack or Upper Grill, as the resulting build-up of heat could cause irreparable damage to the appliance.
- d. Put oil or grease on the Grill Rack or Upper Grill before placing food to prevent food from sticking onto the Grill Rack or Upper Grill at the end of heating.
- e. Always wear protective, insulated appliance gloves when placing or removing items from the Grill Rack or Upper Grill.
- f. Extreme caution must be used when moving the appliance containing water in the Body, especially during, and immediately after, operation.
- g. Make sure to remove any label or protective sheet which may prevent its proper functioning.

DO NOT:

- cover the appliance during functioning;
 - obstruct totally nor partially the Grill Rack & upper Grill with any solid material such as an aluminum foil or tray, barbecue dishes or other items;
 - insert objects or body parts inside the protection cover of the appliance;
 - use the appliance near curtains or textiles;
 - heat foods without removing the wrappers (including plastic, paper or metal) first;
 - switch the Heating Element on when it is NOT placed onto the appliance;
 - connect the appliance to the electric mains until the Body has been filled with water;
 - pour water onto the Heating Element to prevent the possibility of electric shock;
 - **under any circumstances, use charcoal or any other solid or liquid fuel to operate the grill;**
 - leave the appliance unsupervised during operation.
16. During operation, DO NOT touch the appliance with wet body parts, and it is recommended to have between you and the standing surface, an isolating element (for example, wearing shoes with rubber soles).

17. During the period of heating, foods containing a high level of moisture may lead to high temperature steam being emitted. To avoid scalding:
 - ensure that the appliance is correctly positioned before heating;
 - DO NOT touch any part of the appliance except the Handles and the Thermostat Control Knob when the appliance is hot. The bottom of the appliance becomes exceedingly hot as the appliance operates;
 - one's hands and face should be angled away from the Grill Rack & Upper Grill.
18. DO NOT soak the appliance in water or other liquids, wash it under the tap, or let any liquid flow into the internal casing of the appliance to prevent electric shock. In case of accidental fall in water, DO NOT try to take it out, but first of all unplug immediately the power cable from the socket.
19. Plug and unplug the power cable firmly holding it with dry hands. Always unplug the power cable to avoid overheating and avoid stretching it (DO NOT pull it, tug it or use it to drag the appliance to which is connected). Before unplugging the appliance, switch it off, using the proper command on the Control Box.
20. Switch the appliance off when not in use and before filling or emptying the appliance. Before storing, cleaning or performing any maintenance operation, leave to cool for at least 1 hour.
21. In case of malfunction or anomaly during the functioning, switch off the appliance immediately, turn off the power and check the cause of the anomaly, if possible, with the support of a qualified person.
22. If smoke is observed coming out of the appliance, unplug the power cable immediately.
23. This appliance is NOT intended for commercial use but to be used in households and similar applications. It should NOT be used in interior environments like dining rooms of shops, office, dormitories or other working environments, hotels, motels, guest houses or breakfast rooms, or other accommodation environments.
24. This appliance can be used by children aged from 8 years and above and persons with reduced physical, sensory or mental capabilities or lack of experience and knowledge if they have been given supervision or instruction concerning use of the appliance in a safe way and understand the hazards involved. Children shall NOT play with the appliance. Cleaning and user maintenance shall NOT be made by children unless they are older than 8 and supervised. Keep the appliance and its cable out of reach of children less than 8 years old.
25. Should the barbecue fail to operate or should it be damaged, please contact the nearest authorised service centre as special tools are needed for its repair. Never attempt to repair the barbecue yourself.
26. Save these instructions.

How to use

Warning: DO NOT operate the appliance with any of its parts unassembled. The entire assembled unit works as a single appliance. The appliance must only operate in the upright position. Any other position will be hazardous.

1. Choose a location to operate the appliance that is out in the open, NOT next to a wall or corner. Ensure that no flammable materials are placed around it, under it or above it.
2. Place the assembled appliance on a horizontal, stable and heat-resistant surface, impervious to splashes and stains. When grilling food with a high fat or moisture content, splashes are unavoidable. Food with a high fat or moisture content may also tend to ignite.
3. Always fill the Body with water between the minimum 0.4 L (400 mL) & maximum 0.9 L (900 mL) before you switch on the appliance, and ensure that the water level is kept between these volumes at all times during use. The water helps to cool down the Grill, reduces the build-up of smoke, and also facilitates cleaning.

DO NOT connect the appliance to the electric mains until the Body has been filled with water. DO NOT pour water onto the Heating Element to prevent the possibility of electric shock

4. Check that the heating element is correctly fitted to the Body and safely locked.
5. Plug the power cable into the wall socket and switch it ON. Heating will commence immediately.

DO NOT, under any circumstances, use charcoal or any other solid or liquid fuel to operate the grill.

6. Set the Thermostat Control Knob to its 'Max' position. The indicator light turns on, and the heating element is permanently switched on. **Never switch the Heating Element on when it is NOT placed onto the appliance.**
7. When it is first switched on, the grill may emit a new smell. A small amount of smoke may also be noticeable. We therefore recommend that the grill be allowed to heat up for a moment without any food on the Grill Rack. Ensure sufficient ventilation for the smell and smoke to disperse.
8. After approximately 5 – 10 minutes, the Heating Element reaches the right temperature for grilling. Food may be placed on the Grill Rack. Turn the Thermostat Control Knob to a lower position to avoid overheating the food.

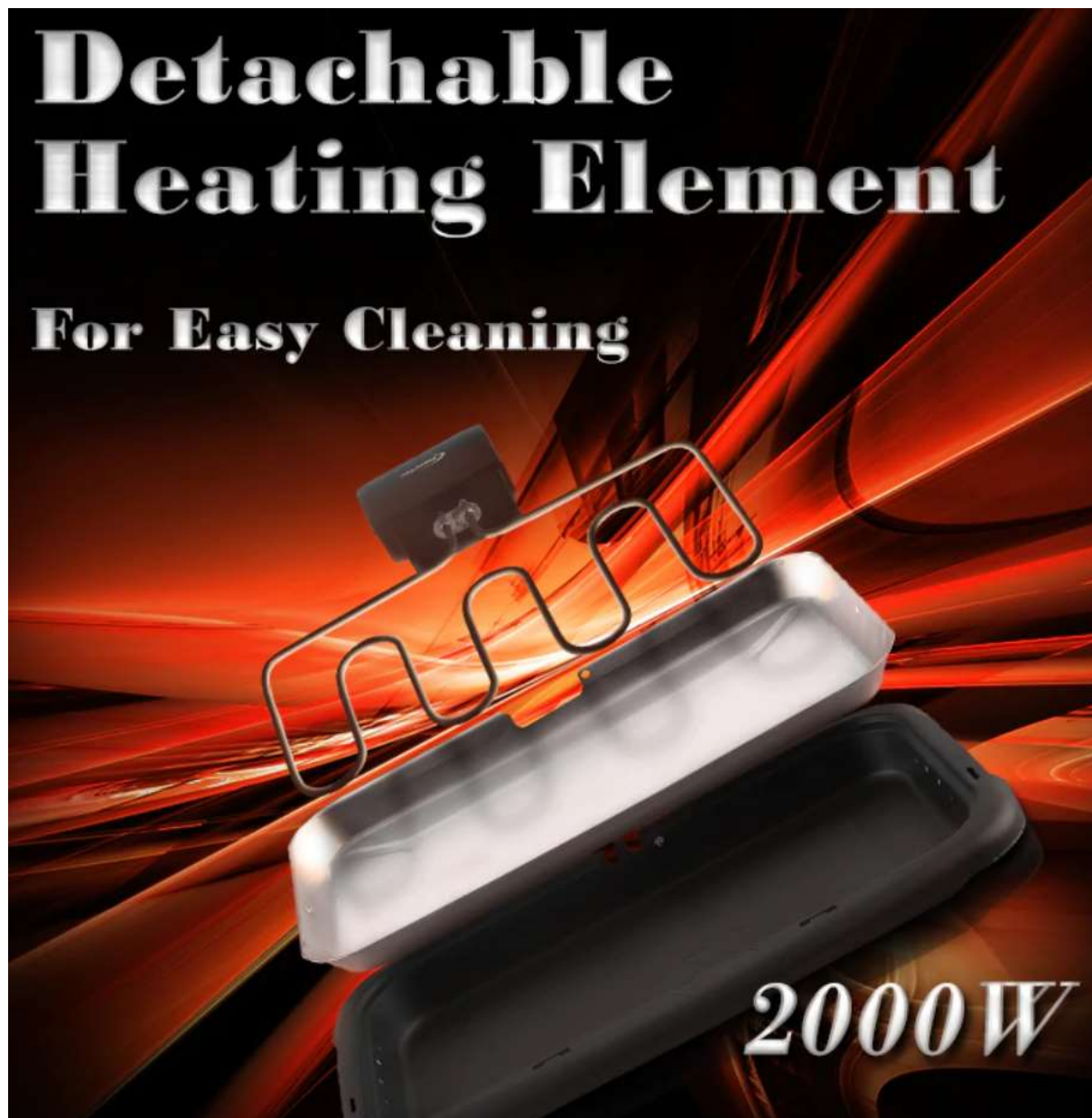
Never, under any circumstances, cover the Grill Rack with any solid material such as an aluminum foil or tray, barbecue dishes or other items, as the resulting build-up of heat could cause irreparable damage to the appliance.

9. The grill can also be used to keep food warm: turn the Thermostat Control Knob to a lower position. The Heating Element will be switched on and off alternately, and thus the food can be kept warm.

10. When grilling is finished, turn the Thermostat Control Knob to '0' (OFF), switch the wall socket off and unplug the power cable.
11. Always bear in mind that the Heating Element, Grill Racks and Upper Grill, as well as the other parts of the appliance become very hot during operation. Even after the Heating Element is switched off, it must NOT be touched until it has sufficiently cooled down – there is otherwise a severe danger of burns. Before carrying, transporting or storing the grill, ensure that it has sufficiently cooled down. Pour out any remaining water after use.

How to clean

1. Turn the Thermostat Control Knob to '0' (OFF), switch the wall socket off and unplug the power cable when not in use. Wait until the appliance has completely cooled before cleaning or performing any maintenance operation.
2. Through away water in the Body.
3. Wipe the exterior of the appliance using a soft, damp cloth or sponge. Remove stubborn spots with a cloth moistened with mild liquid detergent. DO NOT use abrasive scouring pads or powders.
4. Never immerse the appliance in water or other liquids, especially the Control Box and Heating Element. Clean the Heating Element with a clean and dry cloth only.
5. Clean the Grill Rack, Upper Grill, Zinc Plate & Body, and Windshield with warm soapy water and dry afterwards. DO NOT use abrasive scouring pads or powders.
6. After cleaning, the grill should be stored indoors in a dry location.



ENVIRONMENTAL TIP

This appliance, along with all other electronic appliances, should, when it is no longer capable of functioning, be disposed with the least possible environmental damage according to the local regulations in your area. In most cases you can discard the appliance at your local recycling center.

DISPOSAL: Do not dispose this product as unsorted municipal waste. Collection of such waste separately for special treatment is necessary.

SPECIFICATIONS

MODEL	PPQ2020
VOLTAGE	220 – 240 V ~50 – 60 Hz
POWER	2000W
DIMENSIONS	565 (L) X 370 (W) mm adjustable Height

WARRANTY

Warranty Conditions

1. This warranty provides against defective materials and manufacturing faults throughout for two years from the date of purchase of the appliance. The warranty on the Compressor is 10 years subject to the same conditions as above.
2. This warranty also does not cover normal wear and tear, replacement of consumable materials and accessories, and the cost of maintenance of the appliance.
3. This warranty does not cover the repair or replacement of part/s damaged by misuse, accidents, negligence, alterations, or modifications in any way, or repairs done by any repair organisation without the prior consent of PowerPac Electrical Pte Ltd.
4. Repair and service are to be performed at: 5 Changi South Lane #03-01 Singapore 486045. A transport fee will be charged for personal doorstep service.
5. The original purchaser of the appliance must furnish proof of purchase to our Service Centre with the email or number as registered during submission of warranty when this appliance is sent for repair/service. Failure to do so may delay the receipt of said repair/service by the customer.
6. Under no circumstances whatsoever shall the serial number be erased, defaced or altered by the customer and/or his representatives, or the dealer and/or his agents. Failure to ensure this shall invalidate the warranty.
7. This warranty is deemed to be void if the defect is cause by the attack of household pests, fire, lightning, natural disasters, pollution, abnormal voltage or the usage of generators.
8. This warranty is valid in Singapore only.
9. This warranty will be honoured subject to the customer's registration of the warranty inclusive of original invoice or valid purchase receipt. Failure to present these documents will result in denial of service. However, if the customer still requests that the defective appliance be repaired, PowerPac Electrical Pte Ltd may, at its discretion, repair the appliance but impose a labour charge, as well as the costs of the replacement parts, to be borne solely by the customer.
10. Please refer to the attached picture for the location of one of our appliance's serial number, as an example.



Please complete the on-line registration warranty form available on our website. There is no further requirement to send us any hard copy as part of our efforts to save the environment.

In accordance with the terms and conditions of this limited warranty as stated above, PowerPac Electrical Pte Ltd, at its expense shall provide free services for the appliance within the warranty period from its date of purchase from our Authorised dealers.