



COLT'S

**PATENT FIRE ARMS
MFG. CO.**

**HARTFORD, CONN.
U. S. A.**

Colt's Patent Fire Arms Manufacturing Co.

INCORPORATED 1855

HARTFORD, CONN., U. S. A.

Manufacturers of

COLT'S REVOLVERS

AUTOMATIC PISTOLS

TRADE MARK



Reg. U. S. Pat. Off.

AUTOMATIC MACHINE GUNS

1922

(A-64-2D.)

PRINTED
IN
U.S.A.

COLT'S

PATENT FIRE ARMS

MFG. CO.

HARTFORD, CONN.

U. S. A.

GENERAL INFORMATION.

More than three-quarters of a century ago **SAMUEL COLT** first introduced his Revolvers and today the arms bearing the name of this Inventor are known in every country on the globe.

The high standard of **quality**—maintained from the start—gave to **COLT REVOLVERS** an unequaled reputation for Strength, Reliability and Accuracy, proved by the practical test of constant service in the hands of men who knew the value of dependability.

Colt Revolvers have always been made for **use**, and the secret of their **durability** is the experience of over fifty years of manufacture; superiority of material, workmanship and finish; the employment of only skilled labor, and the most critical tests and inspection. They are the adopted standard arm of Governments, Police Departments, Military Organizations, etc., throughout the world.

The perfection attained by the product of the Colt's Patent Fire Arms Mfg. Co. has resulted in the "**COLT**" being the choice of expert shooters whose record scores have stimulated the growing interest in revolver shooting which is now recognized as a popular and interesting sport, a practical knowledge of which is a valuable accomplishment that gives confidence in an emergency and lessens the liability of accident through ignorant or careless handling of loaded arms.

Colt Revolvers are made in all desirable calibers and sizes and the title of each is a guide as to the particular class to which it belongs for match shooting.

Target Revolvers are usually shot at fifty yards on the "Standard American" Target, having an 8-inch bullseye; for twenty yards this target and its rings are proportionately reduced so that the bullseye is 2.72 inches in diameter.

Army Revolvers are shot in military competitions at 15, 25, 50 and 75 yards, the target being the Army "N" or "A 1," a rectangle 6 x 4 feet, with 5-inch bullseye and rings $1\frac{3}{4}$ inches apart. ("Standard American" target used in 1913 Camp Perry matches.)

Police and Pocket Revolvers are usually shot at ten, fifteen and twenty yards.

Colt Revolvers are carefully tested, and with perfect ammunition are capable of making perfect scores. A "possible" or full score of 100 points has been made with an Officers' Model at fifty yards, off-hand. The World's Record for the first and only perfect score recorded under official match conditions at twenty yards, was made with a New Service Target Revolver.

In learning to shoot, commence with a good size mark at short range. This will give confidence and show where the shots strike. Stand easily, weight of body balanced on both feet, face a little to the left, with right foot in advance. Cock the revolver, grasp the stock firmly but not so tightly as to cause trembling. Raise the revolver in line with the bullseye; draw a deep breath and hold it; bring front sight in line with rear sight notch, and, holding the tip just under the bull, gradually squeeze the trigger until the shot is off. Don't pull or jerk the trigger.

Keep the revolver clean and in perfect condition; a little careful attention immediately after shooting will be amply repaid by better scores and prolonged life of the weapon.

GUARANTEE.

We guarantee our Revolvers and Pistols, and will remedy any defects in workmanship, without charge, upon receipt of the arm, express charges prepaid.

If the arm does not work satisfactorily with the ammunition used, try cartridges of other manufacture. Should the trouble then appear to be with the arm, send it to us for examination and test. Do not attempt to make any alterations in the mechanism.

Our Arms are fully guaranteed for use with Smokeless and other powders in standard, factory-loaded Revolver ammunition.

POSTAGE AND INSURANCE.

Colt Revolvers and Automatic Pistols can be sent by Parcel Post, if so ordered, to all parts of the United States. Purchasers must in all cases pay cost of postage, at rates shown on opposite page; also insurance in addition as follows:

New Service, 19c.	Army Special, 17c.	Police Positive, 16c.
New Service Target, 30c.	Officers' Model, 24c.	Police Positive Target, 18c.
Single Action Army, 19c.	Police Positive Spec., 17c.	Pocket Positive, 15c.
Automatic Pistol:	Automatic Pistols:	Automatic Pistol:
Caliber .45,	Caliber .38, 24c.	Caliber .25, 11c.
Government Model, 21c.	Calibers .32 & .380, 13c.	
	Caliber .22, 18c.	

Ammunition **can not** be sent through the mails.

Colt Revolvers and Automatic Pistols, packed for shipment, are mailable at the following classification as to weight:

4 lb. rate. 3 lb. rate. 2 lb. rate.

New Service,	Army Special,	Police Positive,
New Service Target,	Officers' Model,	Police Positive Target,
Single Action Army,	Police Positive Special,	Pocket Positive,
Automatic Pistol:	Automatic Pistols:	Automatic Pistol:
Caliber .45,	Calibers .22, .32, .38 and	Caliber .25.
Government Model.	.380.	

For Zone Rate and Cost of Postage see table on opposite page.

To calculate the cost of postage on a Revolver or Pistol mailed from Hartford, Conn., to your address, ascertain from your Postmaster in what **Zone** Hartford is located; then refer to table above for **weight** of arm you desire, find weight in table on opposite page and rate of postage will be shown on line with weight and under zone given by Postmaster.

For example: Suppose you are told that Hartford is in the Fourth Zone and you wish to order an "Army Special" Revolver. Reference to table on opposite page shows that an "Army Special" is classed under the three-pound rate; locate 3 pounds in table below, follow figures across page till you come to the Fourth Zone and the rate will be found, i. e. fifteen cents (15c.), to which should be added the insurance, seventeen cents (17c.) making the total cost for postage to be added to your remittance thirty-two cents (32c.).

Weight.	First zone		Second-zone rate.	Third-zone rate.	Fourth-zone rate.	Fifth-zone rate.	Sixth-zone rate.	Seventh-zone rate.	Eighth-zone rate.
	Local rate.	Zone rate.							
1 pound	\$0.05	\$0.05	\$0.05	\$0.06	\$0.07	\$0.08	\$0.09	\$0.11	\$0.12
2 pounds	.06	.06	.06	.08	.11	.14	.17	.21	.24
3 pounds	.06	.07	.07	.10	.15	.20	.25	.31	.36
4 pounds	.07	.08	.08	.12	.19	.26	.33	.41	.48

ORDERS.

In sending orders care should be taken to give shipping directions and to state plainly the **model** and **caliber** of the Arm desired, **length of barrel** and the **finish**,—blue or nickel.

No goods sent on approval.

REPAIRS.

All Arms or parts of same sent to us should be plainly marked with the name and address of the sender, with postage, express or freight charges fully prepaid.

Estimate of cost for repairs will be sent on receipt of Arm before work is commenced.

Repairs are given the most prompt attention possible.

EXCHANGE.

As we have no means of disposing of second-hand arms, we must decline all offers of exchange.

FINISH.

The regular finish of Revolvers is Blued or Full Nickeled, with hard rubber stocks. Blued finish is always supplied unless otherwise specified.

Target Revolvers are Blued finish only, with checked walnut or hard rubber stocks as indicated in specifications.

Automatic Pistols are Blued finish only, except Calibers .25, .32 and .380, which can be had Full Nickel Plated.

Our Arms can be supplied with gold or silver plating, inlaid work and engraving, pearl and ivory stocks, plain with monogram, or special design,—prices depending upon the amount and character of work desired.

On page 38 will be found illustrations of three popular models with fancy stocks in pearl and ivory, and with style and amount of engraving ranging from \$10.00 and upwards.

AMMUNITION.

Care should be taken to use the proper cartridges adapted to the respective weapons.

We also request that factory ammunition be used exclusively, as with home loading errors are bound to occur, and we cannot be held responsible for trouble arising from the use of ammunition other than that loaded by responsible cartridge manufacturers (and guaranteed by them).

Caliber .32-20, .38-40 and .44-40 "**High Velocity**" Rifle Cartridges as manufactured for use in **rifles** are not intended for **revolvers**.

SOLID FRAME.

All **Colt Revolvers** have solid frames, thereby combining strength, symmetry and durability.

COLT POSITIVE LOCK embodied in Colt Revolvers described herein (except Single Action Army) is arranged to operate automatically between face of hammer and frame, and at the time trigger is pulled, is drawn away, permitting the full impact of the hammer to come directly upon the cartridge. At all other times the Positive Lock prevents the firing pin from coming in contact with the cartridge, thereby making accidental discharge absolutely impossible.

Should the revolver be dropped, striking on the hammer, or if by any other means a blow be delivered to the hammer, discharge can not occur. If, when cocking, the hammer should slip, it can not come in contact with the cartridge.



COLT AUTOMATIC GRIP SAFETY, as incorporated in Calibers .32 and .380 Colt Automatic Pistols. (A similar device is also applied to the Calibers .25 and .45.)

The front arm of the U-shaped sear engages the hammer notch; the lower point rests against end of trigger, and the short rear arm of the sear lies directly under the hooked end of the grip safety.

Pulling the trigger will move the arms of the pivoted sear in two directions—the long arm moves to the front and out of the notch of the hammer, releasing the same, and the short arm moves upward. **BUT**, as the hooked end of the grip safety lies directly above the short arm of the sear, it is easily seen that the sear is securely blocked until the grip safety is pressed inward (to the front as indicated by arrow), then the hooked end clears the short arm of the sear and permits it to move upward into the hollow in rear of the hook.

It will thus be plainly seen that the Colt Automatic Grip Safety positively prevents accidental discharge.

Cartridges.

The Cartridges designed for use in Colt Revolvers and Automatic Pistols are illustrated on the opposite page, and with the following table it will be easily seen for which model the cartridges are adapted.

No. 1—.25 Automatic,25 Cal. Automatic Pistol.	No. 13—.38 Short Colt, . . .	} Army Special. Officers' Model. Police Positive Special.
" 2—.32 Automatic,32 Cal. Automatic Pistol.	" 14—.38 Long Colt, . . .	
" 3—.380 Automatic,380 Cal. Automatic Pistol.	" 15—.38 S. & W. Special, Mid Range, . . .	} Army Special. Police Positive Special.
" 4—.38 Automatic,38 Cal. Automatic Pistol, Military Model. .38 Cal. Automatic Pistol, Pocket Model.	" 16—.38 Colt Spec'l. " 17—.38 S. & W. Special, . . .	
" 5—.45 Automatic,45 Cal. Automatic Pistol.	" 18—.32-20, . . .	} Army Special. Police Positive Special. S. A. Army.
* .22 Long Rifle,22 Cal. Automatic Pistol, Target Model.	" 19—.38-40, . . .	
* .22 Short, . . .	Police Positive Target.	" 20—.44-40, . . .	} New Service. S. A. Army.
* .22 Long, . . .		" 21—.44 S. & W. Special, . . .	
* .22 Long Rifle, . . .		} New Service. New Service Target. S. A. Army.	" 22—.41 Short Colt, . . .
* .22 W. R. F., . . .			" 23—.450 Eley, . . .
" 6—.32 S. & W. Short, . . .	} Police Positive. Police Target. Pocket Positive.	" 24—.455 Eley, . . .	} New Service. New Service Target.
" 7—.32 Short Colt, . . .		" 25—.44 Russian, . . .	
" 8—.32 Long Colt, . . .	} Police Positive. Police Target. Pocket Positive.	" 26—.44 Russian, . . .	} New Service. New Service Target. S. A. Army.
" 9—.32 Colt Police Positive, . . .		" 27—.41 Long Colt, . . .	
" 10—.32 S. & W. L'g, . . .	} Police Positive.	" 28—.45 Colt, . . .	} New Service. New Service Target. S. A. Army.
" 11—.38 Colt Police Positive, . . .			
" 12—.38 S. & W., . . .			

*Not shown by illustration.

CARTRIDGE ILLUSTRATION.



New Service

Trade Mark Reg. U. S. Pat. Off.

DOUBLE ACTION REVOLVER.



**JOINTLESS SOLID FRAME.
SIMULTANEOUS EJECTION.**

For the Following Cartridges:

- .38-40 (.38 Winchester.)
- .44-40 (.44 Winchester.)
- .44 Russian and } (Full, Mid Range or
- .44 S. & W. Special. } Gallery Loads.)
- .45 Colt. (Full, Medium or Gallery Loads.)

Also for the Following English Cartridge:

- .455. (Eley's.)

SIX SHOTS.

LENGTH OF BARRELS. 4½, 5½ and 7½ inches.

FINISH. Full Blued or Full Nickel Plated. Rubber Stocks.

WEIGHT. With 4½-inch Barrel, 40 ounces.

LENGTH OVER ALL. With 4½-inch Barrel, 9¾ inches.

TRADE MARK



Reg. U. S. Pat. Off.

New Service Target

DOUBLE ACTION REVOLVER.



**JOINTLESS SOLID FRAME.
SIMULTANEOUS EJECTION.**

For the Following Cartridges:

- .44 Russian and } (Full, Mid Range or Gallery
- .44 S. & W. Special. } Loads.)
- .455 Eley. (The English Service Cartridge.)
- .45 Colt.

Straps and Trigger finely checked.

Action. Hand finished and without equal for smoothness and excellence of pull.

Sights. Front Sight adjustable for elevation; Rear Sight with adjusting screw, adjustable for windage.

SIX SHOTS.

LENGTH OF BARREL. 7½ inches.

FINISH. Full Blued. Checked Walnut Stocks.

WEIGHT. 42 ounces.

LENGTH OVER ALL. 12¾ inches.

The World's Record, a **perfect** score of **100 points**, was made with this Revolver November 15, 1907; also a World's Record and 25 "Highest Possibles" at the Bisley (England) Meeting, 1909.

Every detail of its construction is carried out with the utmost care.

This model has the Colt Positive Lock described on page 7.

TRADE MARK



Reg. U. S. Pat. Off.

Colt Army Special

DOUBLE ACTION REVOLVER.



**JOINTLESS SOLID FRAME,
SIMULTANEOUS EJECTION.**

For the Following Cartridges:

- .32-20.** (.32 Winchester.)
- .38 Colt.** (Using .38 Long Colt, .38 Short Colt, .38 Colt Special, also .38 S. & W. Special, Full and Mid Range Loads.)
- .41 Long Colt.** (Using both .41 Short Colt and .41 Long Colt Cartridges.)

SIX SHOTS.

LENGTH OF BARRELS. 4, 5 and 6 inches.

An arm without an equal. Medium in size and weight, simple yet strong, absolutely reliable and perfectly safe. The Colt Positive Lock (see page 7) removes every liability of accidental discharge.

The **COLT ARMY SPECIAL** has won repeatedly the **National Revolver Matches**: Gold Medals for **Highest Scores** at "Slow," "Time" and "Rapid Fire," and **Grand Aggregates** at Camp Perry and Sea Girt.

With it was established a **Range Record** of 477 out of 500 points at Camp Perry (1911); also a **World's Record** 99 out of 100 at 50 Yards, "Timed Fire," on Standard American target and **World's Record** for highest score in the U. S. R. A. Military Revolver Championship of 1913.

FINISH. Full Blued or Full Nickel Plated. Rubber Stocks.

WEIGHT. With 6-inch barrel, 35 ounces.

LENGTH OVER ALL. With 6-inch barrel, 11¼ inches.

Officers' Model Target

DOUBLE ACTION REVOLVER.



**JOINTLESS SOLID FRAME,
SIMULTANEOUS EJECTION.**

For the Following Cartridges:

- .38 Long Colt, .38 Colt Special, also .38 S. & W. Special, Full and Mid Range Loads.**

Any of these Cartridges may be used in the same Revolver.

Strap and Trigger finely checked.

Action. Hand finished and without equal for smoothness and excellence of pull.

Sights. Front Sight adjustable for elevation; Rear Sight with adjusting screw, adjustable for windage.

SIX SHOTS.

LENGTH OF BARRELS. 6 and 7½ inches.

A Revolver **Perfect in Balance** and very popular with expert shots, also with those who desire a fine Target Revolver at a medium price.

It was this model that won the U. S. R. A. "Any Revolver" Championship Match, 1912, '13, '14 and '15. Contains the Colt Positive Lock (see page 7) which prevents accidental discharge.

**POLICE-
POSITIVE**

Trade Mark Reg. U. S. Pat. Off.

DOUBLE ACTION REVOLVER.



**JOINTLESS SOLID FRAME,
SIMULTANEOUS EJECTION.**

For the Following Cartridges:

.32 Colt Police Positive. (Using .32 Colt Police Positive, Full and Gallery Loads; also .32 S. & W. Short and Long Cartridges, when barrel is stamped ".32 Police Ctg.")

.38 Colt Police Positive. (Using .38 Colt Police Positive and .38 S. & W. Cartridges.)

SIX SHOTS.

LENGTH OF BARRELS.

Cal. .32, 2½, 4, 5 and 6 inches.
Cal. .38, 4, 5 and 6 inches.

This model is equipped with the **Colt Positive Lock** (see page 7) which is an absolute safeguard against accidental discharge.

"The Revolver with a Grip." Light, compact, high velocity and penetration, and very accurate. An ideal pocket or house arm.

Adopted by the Police Departments of the principal cities of the United States and Canada.

TRADE MARK



Reg. U. S. Pat. Off.

**POLICE-
POSITIVE Special**

DOUBLE ACTION REVOLVER.



**JOINTLESS SOLID FRAME,
SIMULTANEOUS EJECTION.**

For the Following Cartridges:

.32-20. (.32 Winchester.)

.38 Colt. (Using in the same arm .38 Long Colt, .38 Short Colt, .38 Colt Special, .38 S. & W. Special, Full or Mid Range Loads.)

SIX SHOTS.

LENGTH OF BARRELS. 4, 5 and 6 inches.

This Revolver is fitted with the **Colt Positive Lock** (See page 7).

The most **compact** and also the **lightest** revolver ever produced to take this **powerful** ammunition. The most **effective** pocket and house arm on the market.

TRADE MARK



Reg. U. S. Pat. Off.

POLICE- POSITIVE Target

DOUBLE ACTION REVOLVER.



**JOINTLESS SOLID FRAME,
SIMULTANEOUS EJECTION.**

For the Following Cartridges:

- .22 Short, Long and Long Rifle.** (Using .22 Short, Long or Long Rifle Rim Fire Cartridges when barrel is stamped "Cal. .22.")
- .22 W. R. F.** (Using *only* the .22 W. R. F. Model 1890 Rifle Cartridge when barrel is stamped ".22 W. R. F.")
- .32 Colt Police Positive.** (Using .32 Colt Police Positive, Full and Gallery Loads; also .32 S. & W. Short and Long Cartridges, when barrel is stamped ".32 Police Ctg.")

SIX SHOTS.

LENGTH OF BARREL. 6 inches only.

THIS REVOLVER is equipped with the **Colt Positive Lock** (see page 7).

A very fine arm and made to meet the demand for a light, small caliber Target Revolver—medium in price—for both indoor and outdoor shooting; light, smooth pull, well balanced, with the full Colt Grip.

POCKET- POSITIVE

Trade Mark Reg. U. S. Pat. Off.

DOUBLE ACTION REVOLVER.



**JOINTLESS SOLID FRAME,
SIMULTANEOUS EJECTION.**

For the Following Cartridges:

- .32 Colt Police Positive.** (Using .32 Colt Police Positive, Full and Gallery Loads; also .32 S. & W. Short and Long Cartridges, when barrel is stamped ".32 Police Ctg.")

SIX SHOTS.

LENGTH OF BARRELS. 2½, 3½ and 6 inches.

This arm is equipped with the **Colt Positive Lock** (see page 7), an absolute preventive of accidental discharge.

Contains the same mechanism as the **POLICE POSITIVE** with a smaller handle and lighter in weight.

FINISH. Full Blued or Full Nickel Plated. Rubber Stocks.

WEIGHT. With 2½-inch barrel, 16 ounces.

LENGTH OVER ALL. With 2½-inch barrel, 6½ inches.

Single Action Army

SINGLE ACTION REVOLVER.



**SOLID FRAME,
ROD EJECTION.**

For the Following Cartridges

- .32-20.** (.32 Winchester.)
- .38-40.** (.38 Winchester.)
- .44 Russian and** } (Full, Mid Range or Gallery
- .44 S. & W. Special.** } Loads.)
- .44-40.** (.44 Winchester.)
- .45 Colt.** (Full, Medium or Gallery Loads.)
- SIX SHOTS.**
- LENGTH OF BARRELS.** $4\frac{3}{4}$, $5\frac{1}{2}$ and $7\frac{1}{2}$ inches.

FINISH. Case Hardened Frame;
Blued Barrel and Straps, or Full
Nickel Plated. Rubber Stocks.

WEIGHT. .45 Caliber. With $4\frac{3}{4}$ -inch
Barrel, 37 ounces.

LENGTH OVER ALL. With $4\frac{3}{4}$ -inch
barrel, $10\frac{1}{4}$ inches.

These Revolvers should be carried with the hammer resting in the Safety Notch. For over half a century this arm has seen more actual service, and more of them have been produced, than any Revolver ever manufactured. The "Single Action Army" is the choice of fire-arms users who require a combination of reliability, durability and simplicity in mechanism.

Colt Automatic Pistols.

THE COLT AUTOMATIC PISTOLS are the best known of this type of arm. A selection from this, the most complete line manufactured, may be made with full confidence in the accuracy, reliability and durability of the arm.

The action of these pistols is automatic except that the trigger must be pulled to fire each shot (continued discharge will **not** result from one pull of the trigger). The arm can be discharged at the rate of five to eight shots per second, the cartridges being automatically supplied from a detachable magazine inserted in the handle of the pistol.

After the pistol is charged with a filled magazine, one opening movement is made by hand, bringing the first cartridge into the chamber. On pulling the trigger the cartridge is fired, the empty shell is ejected, and a new cartridge loaded into the chamber. All these operations take place automatically without any manipulation of the arm. This automatic operation of the pistol is effected by the recoil of the moving parts, and as a consequence the recoil is so absorbed in being utilized that it has not the usual disturbing effect.

There are slight differences in the various styles which will be shown on the pages to follow.

Colt Automatic Pistol

GOVERNMENT MODEL, CALIBER .45

TRADE MARK



Reg. U. S. Pat. Off.



(Adopted by the U. S. Government.)

With GRIP SAFETY
and SAFETY LOCK.

In this model the slide remains open after firing the last cartridge. When reloading the arm in this position, insert the magazine, then press downward the slide stop (to the rear of the trigger as illustrated). The slide goes forward, inserting a cartridge without any movement of the slide by hand. The slide stop is operated by the thumb of the hand holding the pistol.

For the .45 Rimless, Smokeless Cartridge.

CAPACITY OF MAGAZINE. 7 shots.

LENGTH OF BARREL. 5 inches.

LENGTH OVER ALL. 8½ inches.

FINISH. Full Blued. Checked Walnut Stocks.

WEIGHT. 39 ounces.

THE MOST POWERFUL AUTOMATIC PISTOL MADE.

Accidental Discharge is Absolutely Impossible with the Colt Automatic Pistol.

See page 19.

Colt Automatic Pistol

MILITARY MODEL, CALIBER .38

TRADE MARK



Reg. U. S. Pat. Off.



For the .38 Rimless, Smokeless Cartridge.

In this model the slide remains open after firing the last cartridge. When reloading the arm in this position, insert the magazine, then press downward the slide stop (to the rear of the trigger as illustrated). The slide goes forward, inserting a cartridge without any movement of the slide by hand. The slide stop is operated by the thumb of the hand holding the pistol.

WEIGHT. 38 ounces.

CAPACITY OF MAGAZINE. 8 shots.

LENGTH OF BARREL. 6 inches.

FINISH. Full Blued. Rubber Stocks.

LENGTH OVER ALL. 9 inches.

Accidental discharge is Absolutely Impossible with the Colt Automatic Pistol.

See page 19.

Colt Automatic Pistol

POCKET MODEL, CALIBER .38

TRADE MARK



Reg. U. S. Pat. Off.



For the .38 Rimless, Smokeless Cartridge.

CAPACITY OF MAGAZINE. 7 shots.

LENGTH OF BARREL. 4½ inches.

WEIGHT. 32 ounces.

FINISH. Full Blued. Rubber Stocks.

LENGTH OVER ALL. 7½ inches.

Accidental Discharge is Absolutely Impossible with the Colt Automatic Pistol.

See page 19.

Colt Automatic Pistol

POCKET MODEL, HAMMERLESS.

TRADE MARK



Reg. U. S. Pat. Off.



For the following Cartridges: { **Caliber .32 Rimless, Smokeless.**
Caliber .380 Rimless, Smokeless.

THE ACTION of this pistol is automatic except that the trigger must be pulled to fire each shot; continued discharge will NOT result from one pull of the trigger.

SAFETY.—Besides the safety in the action which does not permit hammer to be released unless action is fully closed, this arm has two additional operating safeties:

(1) The Slide Lock indicates when the arm is cocked and, when engaged in the slide cut, disconnects the trigger from the operating mechanism, but can be readily drawn down by the thumb when one desires to shoot;

(2) An Automatic Safety, also acting as an indicator, locks the action until the handle is firmly grasped when pulling the trigger.

It will thus be seen that there are two indicators showing when the hammer is cocked; and there are two Safeties, either of which is absolutely positive, one of which is automatic.

CAPACITY OF MAGAZINE { Cal. .32, 8 shots.

LENGTH OF BARREL. 3¾ inches. } Cal. .380, 7 shots.

Accidental Discharge is Absolutely Impossible with the Colt Automatic Pistol.

See page 19.

FINISH. Full Blued. Rubber Stocks.

WEIGHT. 23 ounces.

LENGTH OVER ALL. 6¾ inches.

Colt Automatic Pistol

POCKET MODEL, CALIBER .25, HAMMERLESS.



Reg. U. S. Pat. Off.



For the .25 Rimless, Smokeless Cartridge.

This model **COLT** has been produced to meet the demand for an arm that would combine extra light weight and very small size with the essential features of a **practical** and **efficient** pistol. The action is similar to that of the caliber .32 described on page 23.

Being flat and compact (only thirteen ounces in weight and four and one-half inches long), this arm can be conveniently carried in a vest pocket (or other easily accessible place), ready for instant use, with perfect safety, and has no equal in its size for **Power, Accuracy** and **Effectiveness**.

CAPACITY OF MAGAZINE. 6 shots.

LENGTH OF BARREL. 2 inches.

LENGTH OVER ALL. 4½ inches.

WEIGHT. 13 ounces.

FINISH. Full Blued, with case-hardened trigger, slide lock safety and grip safety, or Full Nickel Plated. Rubber stocks.

Accidental discharge is absolutely Impossible with the Colt Automatic Pistol.

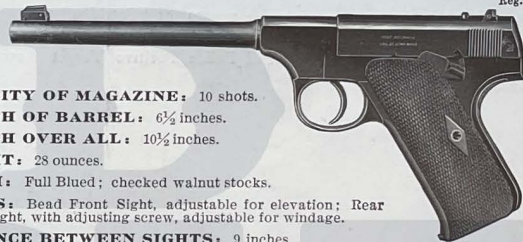
See page 19.

Colt Automatic Pistol

CALIBER .22, TARGET MODEL.



Reg. U. S. Pat. Off.



CAPACITY OF MAGAZINE: 10 shots.

LENGTH OF BARREL: 6½ inches.

LENGTH OVER ALL: 10½ inches.

WEIGHT: 28 ounces.

FINISH: Full Blued; checked walnut stocks.

SIGHTS: Bead Front Sight, adjustable for elevation; Rear Sight, with adjusting screw, adjustable for windage.

DISTANCE BETWEEN SIGHTS: 9 inches.

CARTRIDGE: .22 Long Rifle, rim fire (lubricated cartridges) only.

Note: We recommend the use of either "Lesmok" or "Semi-smokeless" ammunition.

This model has proven most practical and popular with shooters, sportsmen, trappers, and others desiring a high-grade automatic pistol adapted for the economical and easily obtained Caliber .22 Long Rifle Cartridge.

Its accuracy as a target arm is unquestioned, winning, as it did, high honors in the Pistol Matches at the National Shoot of 1920.

The pistol is equipped with a Safety Lock which, when the arm is cocked, may be pushed upward, thus positively locking hammer and slide. This Safety Lock is located within easy reach of the thumb of the hand holding the pistol and may be instantly pressed down when raising the pistol to the firing position. It also acts as an indicator showing whether or not the pistol is cocked.

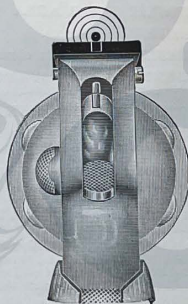
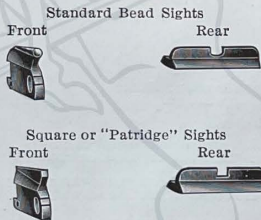
Accidental discharge is absolutely Impossible with the Colt Automatic Pistol.

See page 19.

SIGHTS

The standard sight equipment of our Target Arms is a medium sized round or bead front and U-rear. Larger or smaller bead with corresponding rear sights supplied at extra cost.

We can also furnish, *at extra cost*, the square or "Patridge" sights in three sizes, viz.: Large, Medium and Small in substitution for standard sights on New Service Target, Officers' Model Target and Police Positive Target Revolvers and Caliber .22 Automatic Pistol.



Proper method of sighting, showing "square" formed by Patridge Front Sight in square cut rear: (note strip of light each side of front sight, and position of top in relation to top of rear sight and under bullseye.

PRICE LIST OF COMPONENT PARTS.

In ordering, the following should be observed:

Give Name of Model, Caliber of the Arm, also Number, which will be found on the butt or on that part of the frame which is shown when the cylinder is swung out.

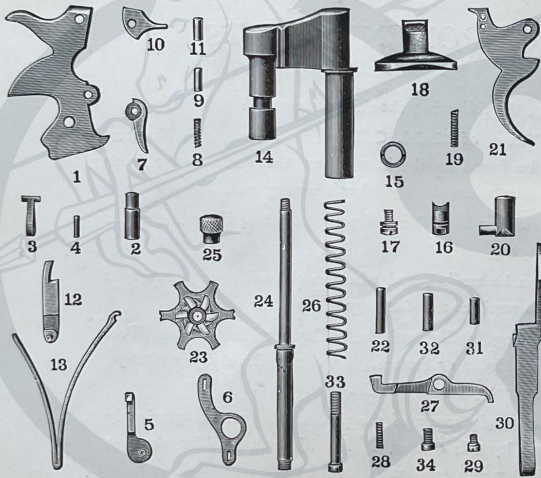
Give Number and Name of part desired as illustrated in the following pages.

Parts can be mailed, and when so ordered postage must be added to the remittance. See page 4.

In remitting, kindly send Draft, Express Money Order, Post Office Money Order or Stamps. As our banks charge exchange, we cannot accept personal checks.

We can supply many of the parts of the models previously manufactured by this company. An illustrated folder showing them will be sent on request.

COMPONENT PARTS OF "NEW SERVICE" AND "NEW SERVICE TARGET" * REVOLVERS.

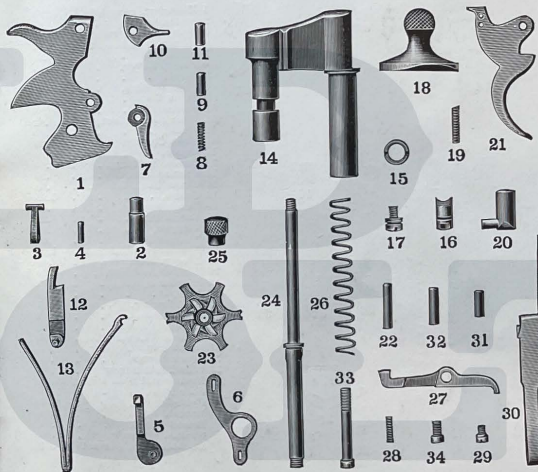


1 Hammer, complete, . . .	\$3.00
2 Hammer Pin,05
3 Hammer Stirrup,30
4 Hammer Stirrup Pin,05
5 Safety,38
6 Safety Lever,15
7 Strut,38
8 Strut Spring,05
9 Strut Pin,05
10 Firing Pin,25
11 Firing Pin Rivet,03
12 Hand,75
13 Main Spring,90
14 Crane, . . .	4.00
15 Crane Bushing,10
16 Crane Lock,25
17 Crane Lock Screw,10
18 Latch, . . .	1.50
19 Latch Spring,03
20 Latch Pin,23
21 Trigger, . . .	1.10
22 Trigger Pin,05
23 Ejector and Ratchet, . . .	1.25
24 Ejector Rod,65
25 Ejector Rod Head,20
26 Ejector Spring,15
27 Bolt,75
28 Bolt Spring,05
29 Bolt Screw,10
30 Rebound Lever, . . .	1.28
31 Rebound Lever Pin,05
32 Stock Pin,05
33 Stock Screw,08
34 Side Plate Screw,08
Cylinder, complete, . . .	5.25
Barrel, . . .	4.50
Stocks, per pair, . . .	1.40
Escutcheons, per set,08
Recoil Plate,08
Swivel, complete,40
Swivel Pin,05
Frame, complete, . . .	19.00
Side Plate, . . .	1.95

* Extra price charged for New Service Target Revolver parts. In ordering parts specify number of Revolver.

COMPONENT PARTS

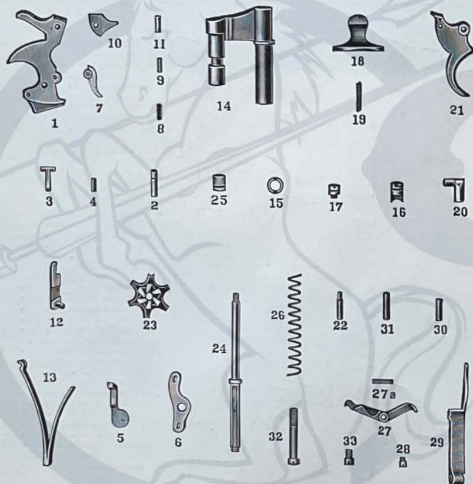
COLT ARMY SPECIAL AND OFFICERS' MODEL* (New Style) REVOLVERS.



1 Hammer, complete, . . .	\$2.70
2 Hammer Pin,05
3 Hammer Stirrup,30
4 Hammer Stirrup Pin,05
5 Safety,38
6 Safety Lever,15
7 Strut,38
8 Strut Spring,05
9 Strut Pin,05
10 Firing Pin,25
11 Firing Pin Rivet,03
12 Hand,75
13 Main Spring,80
14 Crane, . . .	3.75
15 Crane Bushing,10
16 Crane Lock,25
17 Crane Lock Screw,10
18 Latch, . . .	1.30
19 Latch Spring,03
20 Latch Pin,23
21 Trigger, . . .	1.10
22 Trigger Pin,05
23 Ejector and Ratchet, . . .	1.20
24 Ejector Rod,50
25 Ejector Rod Head,20
26 Ejector Spring,15
27 Bolt,75
28 Bolt Spring,05
29 Bolt Screw,08
30 Rebound Lever, . . .	1.20
31 Rebound Lever Pin,05
32 Stock Pin,05
33 Stock Screw,08
34 Side Plate Screw,08
Frame, complete, . . .	18.00
Side Plate, . . .	1.90
Cylinder, complete, . . .	5.50
Barrel, . . .	3.75
Stocks, per pair, . . .	1.40
Escutcheons, per set,08
Recoil Plate,08

* Extra price charged for Officers' Model parts.

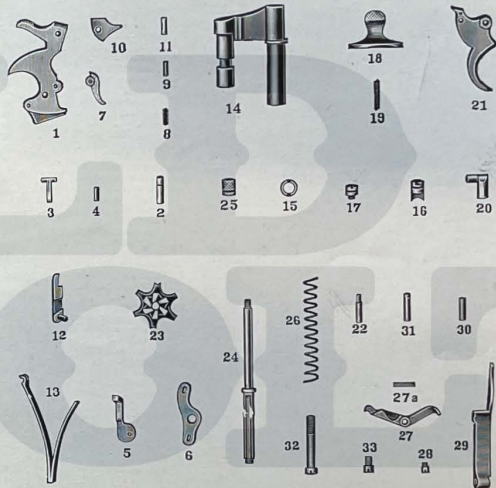
COMPONENT PARTS OF "POLICE POSITIVE" and
"POLICE POSITIVE SPECIAL" REVOLVERS, CALIBER .38.



1 Hammer, complete, . . .	\$2.50
2 Hammer Pin,05
3 Hammer Stirrup,30
4 Hammer Stirrup Pin,03
5 Safety,38
6 Safety Lever,15
7 Strut,38
8 Strut Spring,05
9 Strut Pin,05
10 Firing Pin,25
11 Firing Pin Rivet,03
12 Hand,60
13 Main Spring,60
14 Crane, . . .	3.50
15 Crane Bushing,10
16 Crane Lock,25
17 Crane Lock Screw,10
18 Latch, . . .	1.15
19 Latch Spring,03
20 Latch Pin,23
21 Trigger,98
22 Trigger Pin,10
23 Ejector and Ratchet, . . .	1.10
24 Ejector Rod,45
25 Ejector Rod Head,20
26 Ejector Spring,15
27 Bolt,75
27a Bolt Spring,05
28 Bolt Screw,08
29 Rebound Lever, . . .	1.10
30 Rebound Lever Pin,05
31 Stock Pin,03
32 Stock Screw,08
33 Side Plate Screw,08
Frame and Side Plate, . . .	17.00
Side Plate, . . .	2.25
Cylinder, . . .	5.50
Barrel, . . .	3.40
Recoil Plate,08
Stocks, per pair, . . .	1.40
Escutcheons, per set08

Specify in ordering whether **POLICE-POSITIVE** or **POLICE-POSITIVE SPECIAL**.

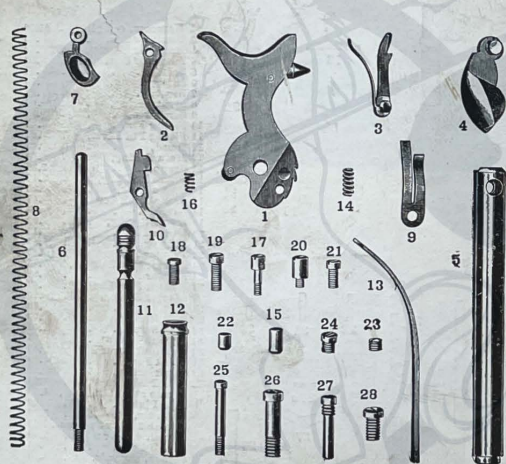
COMPONENT PARTS OF
"POCKET POSITIVE," "POLICE POSITIVE" CALIBER .32, AND "POLICE
POSITIVE TARGET"* CALIBER .22 AND .32 REVOLVERS.



1 Hammer, complete, . . .	\$1.70
2 Hammer Pin,03
3 Hammer Stirrup,20
4 Hammer Stirrup Pin,02
5 Safety,25
6 Safety Lever,10
7 Strut,25
8 Strut Spring,06
9 Strut Pin,03
10 Firing Pin,15
11 Firing Pin Rivet,02
12 Hand,40
13 Main Spring,50
14 Crane, . . .	2.25
15 Crane Bushing,10
16 Crane Lock,25
17 Crane Lock Screw,07
18 Latch,75
19 Latch Spring,02
20 Latch Pin,15
21 Trigger,60
22 Trigger Pin,03
23 Ejector and Ratchet,75
24 Ejector Rod,25
25 Ejector Rod Head,15
26 Ejector Spring,10
27 Bolt,50
27a Bolt Spring,03
28 Bolt Screw,05
29 Rebound Lever,75
30 Rebound Lever Pin,03
31 Stock Pin,02
32 Stock Screw,05
33 Side Plate Screw,05
Frame and Side Plate, . . .	6.50
Side Plate,80
Cylinder, . . .	3.00
Barrel, 2 1-2 or 3 1-2 ins., . . .	1.50
Barrel, 4, 5 or 6 ins., . . .	2.00
Recoil Plate,05
Stocks, per pair,75
Escutcheons, per set,05

* Extra price charged for Target Revolver Parts. In ordering Parts, specify number and caliber of Revolver.

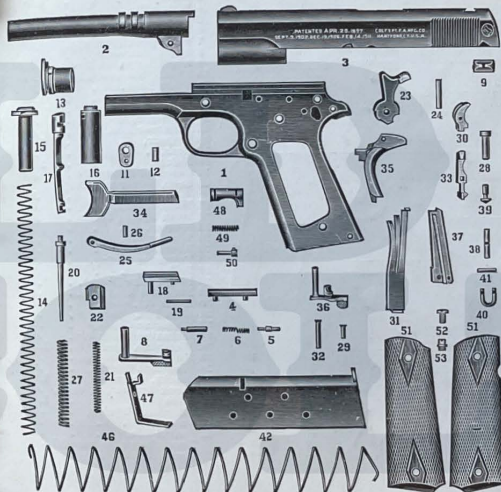
COMPONENT PARTS OF
"SINGLE ACTION ARMY" REVOLVER.



1 Hammer,	\$0.85
2 Trigger,22
3 Hand and Hand Spring, .27	
Hand Spring,03
4 Gate,	1.00
5 Ejector Tube,	1.50
6 Ejector Rod,27
7 Ejector Head,50
8 Ejector Spring,12
9 Sear and Bolt Spring,08
10 Bolt,28
11 Base Pin,42
12 Base Pin Bushing,40
13 Main Spring,35
14 Gate Spring,02
15 Base Pin Catch,05
16 Base Pin Catch Spring,02
17 Base Pin Catch Screw,05
18 Front Guard Screw,05
19 Rear Guard Screw (2),05
20 Ejector Tube Screw,05
21 Back Strap Screw (2),05
Front Strap Screw,05
22 Gate Catch,02
23 Gate Catch Screw,05
24 Sear and Bolt Spring Screw,05
25 Stock Screw,05
26 Hammer Screw,05
27 Trigger and Bolt Screw,05
28 Main Spring Screw,05
Lock Frame,	6.00
Barrel,	3.00
Barrel Sight,25
Barrel Stud,10
Cylinder,	3.00
Firing Pin,10
Trigger Guard,	1.65
Back Strap,	1.25
Stocks, per pair,75
Escutcheons, per set,05
Recoil Plate,05
Firing Pin Rivet,02

In ordering, give number of Revolver and part.

COMPONENT PARTS COLT AUTOMATIC PISTOL
(Caliber .45, Government Model.)

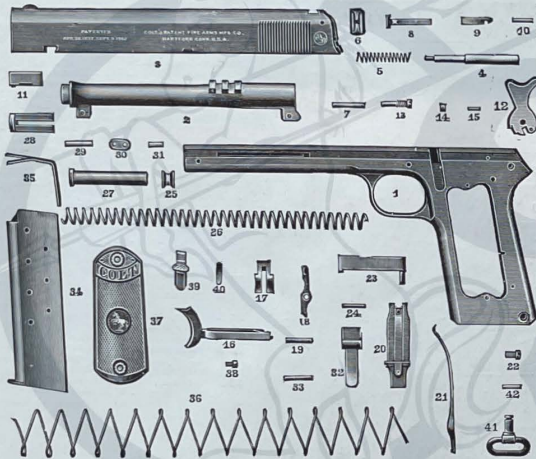


1 Receiver, \$15.00	29 Main-Spring
2 Barrel, 3.75	Cap Pin, \$0.05
3 Slide, 9.00	30 Sear, 1.00
4 Plunger Tube, .75	31 Sear Spring, .30
5 Slide Stop Plunger, .05	32 Sear Pin, .08
6 Plunger Spring, .03	33 Disconnect, .80
7 Safety Lock	34 Trigger, 1.50
Plunger, .05	35 Grip Safety, 1.70
8 Slide Stop, 1.20	36 Safety Lock, 1.50
9 Rear Sight, .50	37 Main-Spring
*10 Front Sight, .15	Housing, 1.50
11 Link, .20	38 Housing Pin, .08
12 Link Pin, .05	39 Housing Pin
13 Barrel Bushing, .75	Retainer, .08
14 Recoil Spring, .15	40 Lanyard Loop, .08
15 Recoil Spring	41 Lanyard Loop
Guide, .45	Pin, .03
16 Plug, .15	42 Magazine, 1.25
17 Extractor, .85	Complete, 1.25
18 Ejector, .60	46 Magazine
19 Ejector Pin, .05	Spring, .20
20 Firing Pin, .35	47 Magazine
21 Firing Pin	Follower, .10
Spring, .08	48 Magazine
22 Firing Pin	Catch, .60
Stop, .45	49 Magazine
23 Hammer, 1.50	Catch Spring, .05
24 Hammer Pin, .08	50 Magazine
25 Hammer Strut, .25	Catch Lock, .15
26 Hammer Strut	51 Stocks, right
Pin, .08	and left hand,
27 Main-Spring, .08	pair, 2.00
28 Main-Spring	52 Stock Screws
Cap, .08	(4), each, .08
	53 Screw Bushings (4), ea., .08

*This part shown attached to Slide.

NOTE: When ordering parts, please be sure to give number of pistol and state "Government Model," as parts are different from the previous caliber .45 Colt Automatic Pistol.

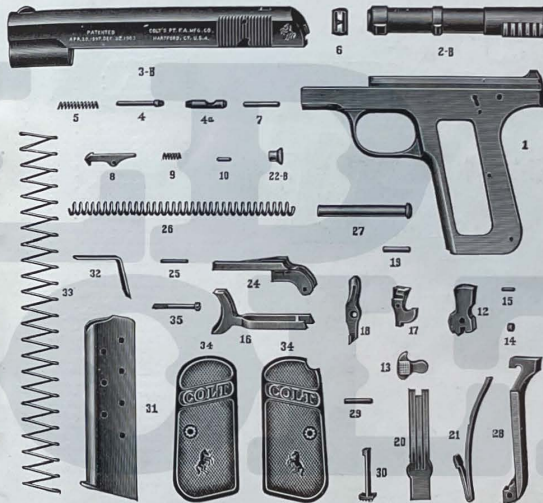
COMPONENT PARTS OF THE COLT AUTOMATIC PISTOL, CALIBER .38.



1 Receiver,	\$22.00
2 Barrel,	5.50
3 Slide,	9.00
4 Firing Pin,50
5 Firing Pin Spring,03
6 Rear Sight,50
7 Firing Pin Lock Pin,03
8 Shell Extractor,85
9 Shell Extractor Spring,08
10 Shell Extractor Pin,03
11 Slide Lock,30
12 Hammer,	1.30
13 Hammer Screw,05
14 Hammer Roll,05
15 Hammer Roll Pin,03
16 Trigger,	1.90
17 Sear,85
18 Safety,	1.00
19 Sear and Safety Pin,03
20 Sear, Safety and Trigger Spring,30
21 Main Spring,50
22 Main Spring Screw,05
23 Ejector,	1.00
24 Ejector Pin,03
25 Recoil Plug,05
26 Retractor Spring,15
27 Follower,38
28 Plug (Take Down),50
29 Plug and Link Pin,03
30 Links (2), each,15
31 Link Pin, Short,02
32 Magazine Catch,75
33 Magazine Catch Pin,03
34 Magazine, complete,	1.25
35 Magazine Follower,08
36 Magazine Spring,20
37 Stocks, per pair,	1.15
38 Stock Screws (4), each,03
39 Slide Stop,	1.00
40 Slide Stop Spring,15
41 Swivel,50
42 Swivel Pin,05
Escutcheons, per set (4),15
Front Sight,23

In ordering, please give number of pistol, and state whether Military or Pocket Model, as improvements have been made since first issue.

COMPONENT PARTS OF THE COLT AUTOMATIC PISTOL, POCKET MODEL, HAMMERLESS. CALIBERS .32 and .380.



1 Receiver,	\$12.75
2B Barrel,	2.50
3B Slide,	6.50
4A Front Firing Pin,18
4a Rear Firing Pin,15
5 Firing Pin Spring,05
6 Rear Sight,40
7 Firing Pin Lock Pin,03
8 Shell Extractor,50
9 Shell Extractor Spring,05
10 Shell Extractor Pin,03
12 Hammer,60
13 Slide Lock Safety,60
14 Hammer Roll,05
15 Hammer Roll Pin,03
16 Trigger,	1.20
17 Sear,75
18 Safety,60
19 Sear and Safety Pin,03
20 Sear, Safety and Trigger Spring,20
21 Main Spring,60
22B Plug,10
24 Ejector,	1.25
25 Ejector Pin,03
26 Retractor Spring,15
27 Retractor Spring Guide,10
28 Automatic Grip Safety,	1.25
29 Automatic Safety Pin,03
30 Magazine Catch,38
31 Magazine, complete,75
32 Magazine Follower,08
33 Magazine Spring,20
34 Stocks, per pair,	1.15
35 Stock Screw,05
Escutcheons, per set,08
Front Sight,15

In ordering parts, please be sure to give number and caliber of Pistol, as improvements have been made since first issue.

COMPONENT PARTS OF THE COLT AUTOMATIC PISTOL.
POCKET MODEL. HAMMERLESS.

CALIBER .25



1	Receiver, . . .	\$9.00
2	Slide, . . .	5.00
3	Barrel, . . .	1.75
4	Extractor,30
5	Extractor Spring,05
6	Extractor Pin,03
7	Firing Pin,50
8	Main Spring,15
9	Main Spring Guide,10
10	Trigger,35
11	Connector,90
12	Trigger Pin,03
13	Sear Stop Pin,03
14	Sear,60
15	Sear, Safety, Trigger, and Magazine Catch Spring,20
16	Slide Lock Safety,65
16-A	Slide Lock Safety Plunger,08
16-B	Slide Lock Safety Plunger Spring,05
17	Grip Safety,90
18	Grip Safety Pin,03
19	Sear Pin,03
20	Retractor Spring,15
21	Retractor Spring Guide (Complete with Safety Disconnector Plunger and Spring),35
22	Magazine Catch,45
23	Magazine, complete,65
24	Magazine Spring,20
25	Magazine Follower,08
26	Stocks, per pair, . . .	1.15
27	Stock Screw,05
28	Safety Disconnector,40
	Escutcheons, per set,08

In ordering parts, please be sure to give number of Pistol, as improvements have been made since first issue.

The following Marks used on the Arms Manufactured by COLT'S PATENT FIRE ARMS MANUFACTURING COMPANY are Legal Trade Marks registered in the U. S. Patent Office.

The word "COLT."

The representation of a Rampant Colt.

The words and letters:

"Colt's Pt. F. A. Mfg. Co., Hartford, Ct., U. S. A."

The word "Colt" above the representation of a Rampant Colt.

The words "NEW SERVICE."

The words POLICE-POSITIVE

The words POCKET-POSITIVE

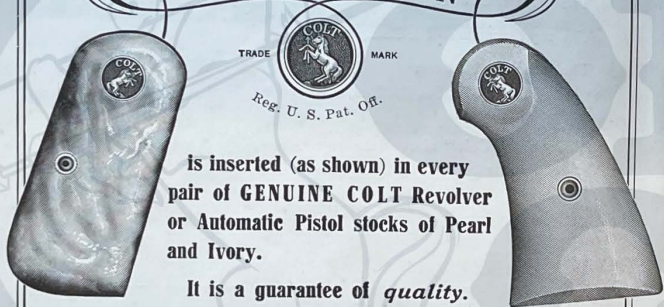


Revolver Handle



U. S. Design Patent, April 28, 1908.

THIS MEDALLION



is inserted (as shown) in every pair of **GENUINE COLT** Revolver or Automatic Pistol stocks of Pearl and Ivory.

It is a guarantee of *quality*.