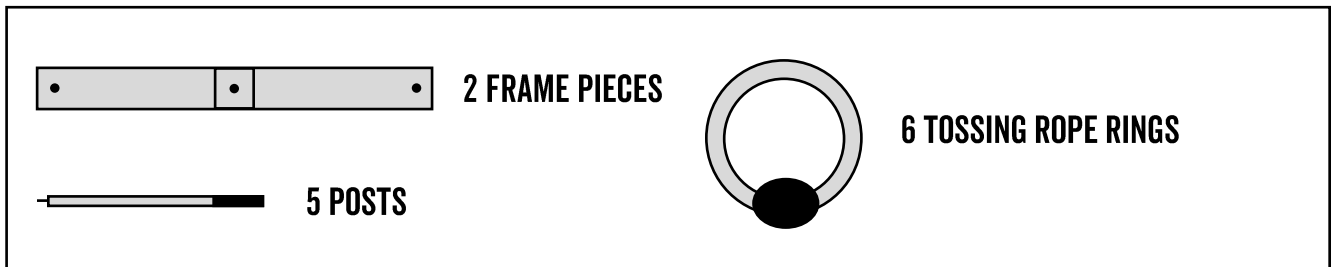
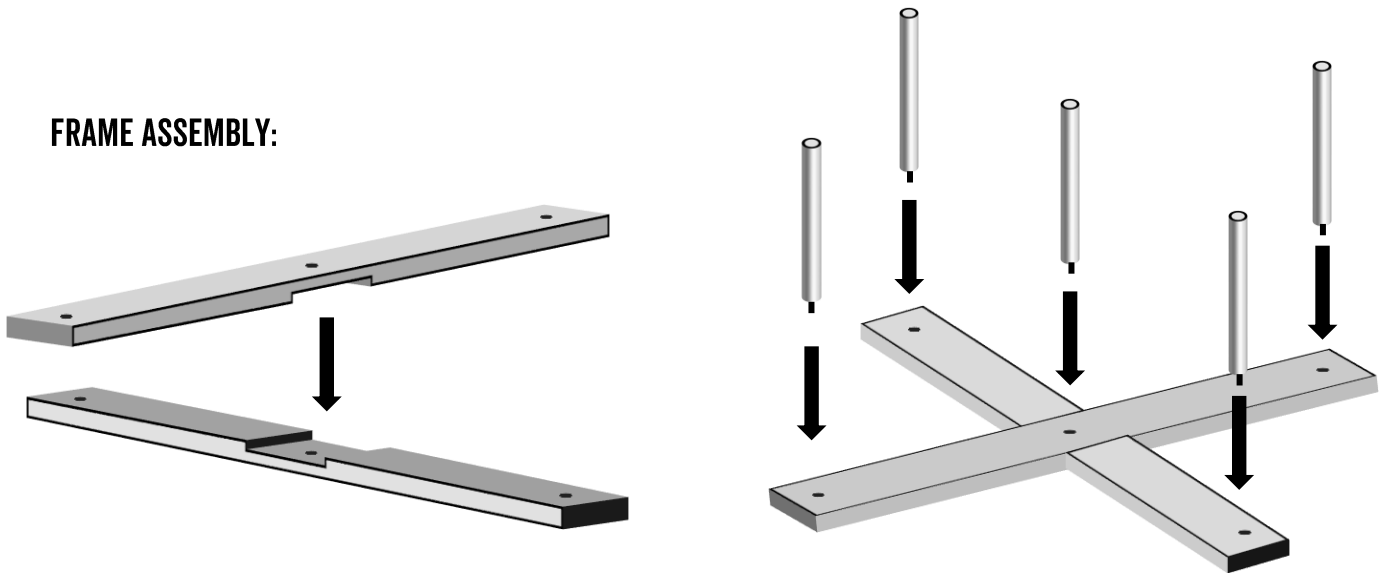


## RING TOSS INSTRUCTIONS

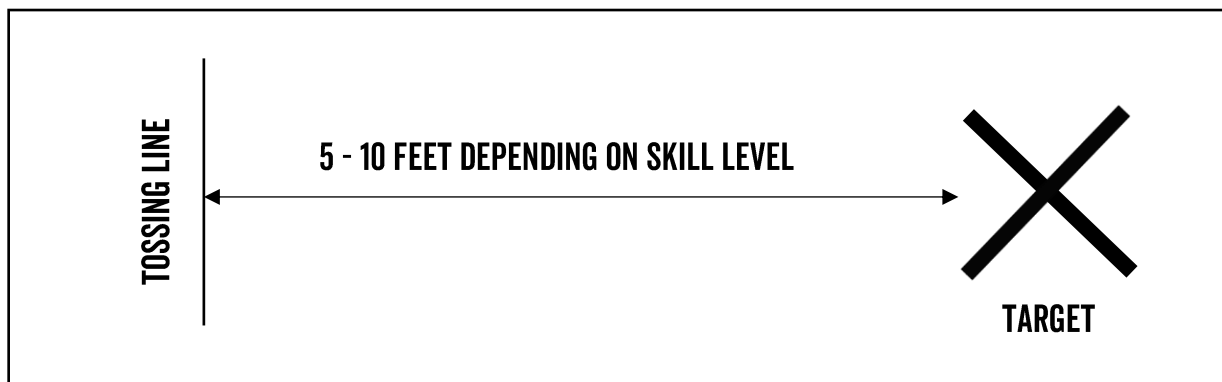
### SET INCLUDES:



### FRAME ASSEMBLY:



### SETUP:





## **HOW TO PLAY:**

Two teams of 1-2 players start at the tossing line with three tossing rings each.

Each team tosses one ring at the target and whoever gets closest or on the middle ring goes first.

Team A tosses their first ring, then Team B tosses their first ring. Team A tosses their second ring, then Team B tosses their second ring and so on. Once all rings have been tossed the round is complete and each team tallies their score. If a team has 2 or more players, player 2 can toss next round.

## **SCORING:**

Points are awarded for getting your ring to land completely around a post. Rings touching or leaning on posts do not get points.

Ringers count for the points adjacent to each post. If a player gets two rings around the same post it is a double ringer and counts for double the points. If two players on opposing teams make ringers around the same post, they cancel each other and no points are scored. In the case of a tie, the game continues until the tie is broken.

## **WINNING THE GAME:**

The first team to reach 100 points or more wins.

## **USE AND CARE:**

YardGames Ring Toss sets are made with finished wood and are water resistant but not water proof. To prevent damage and wear, store the game indoors in a dry area.

Adult supervision is required for children playing this game.

For more information or to order replacement parts, visit [www.yardgames.com](http://www.yardgames.com)