



**RIFLE SPORTS PRODUCT CATALOG**  
**2023 / 2024**

Distributed in South Africa by LG Photo Accessories  
info@landscapegear.co.za | Hougaard - 076 279 2202

## How to order

---

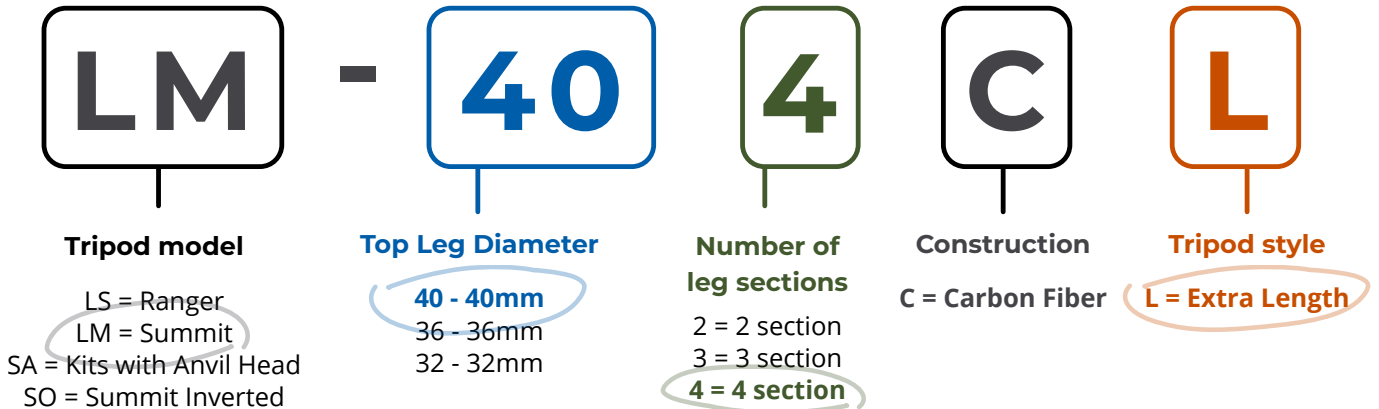
For enquiries, contact Hougaard on 076 279 2202 or [info@landscapegear.co.za](mailto:info@landscapegear.co.za).

SHOP ONLINE AT [LANDSCAPEGEAR.CO.ZA](http://LANDSCAPEGEAR.CO.ZA)



# UNDERSTANDING LEOFOTO'S PRODUCT RANGE

## Leofoto naming convention



**There are 4 different model ranges, denoted by the first two letters in the name.**

These have identical legs if they are e.g. LM-403C vs. SA-403C. The difference lies in the apex, which is the metal part at the top, which connects the legs (also referred to as the spider). Understanding the differences is key to choosing a tripod as there are major price differences between some ranges and it also affects head compatibility.

1. The **LM/Summit** tripods feature a large modular apex and they can accept any head, so they offer full modularity.
2. The **SO-362C** is **essentially also a LM/Summit, offering full modularity with heads.**
3. The **LS/Ranger** tripods feature a compact flat apex with 3/8" screw and can only accept LH heads. You cannot mount the YB-75LR leveling base or MA-30L anvil head on LS tripods.
4. **SA tripods** feature a proprietary mounting cup, which accepts only the MA-30L anvil head, hence the SA tripods are only available as kits with the MA-30L anvil head.





## APEX - HEAD COMPATIBILITY

Make sure you understand the compatibility options between different tripod legs and heads. Many people end up with multiple heads for different purposes and if you buy a Ranger or SA Kit, you will be limited to specific heads.



YB



LH



MA-30L

**LM (Summit)**



**SO (Rapid Deploy)**



**LS (Ranger)**



**SA (MA-30L Kits)**



LM (Summit)



SO (Rapid Deploy)



LS (Ranger)



SA (MA-30L Kits)

## Understanding Leg Sections and diameters

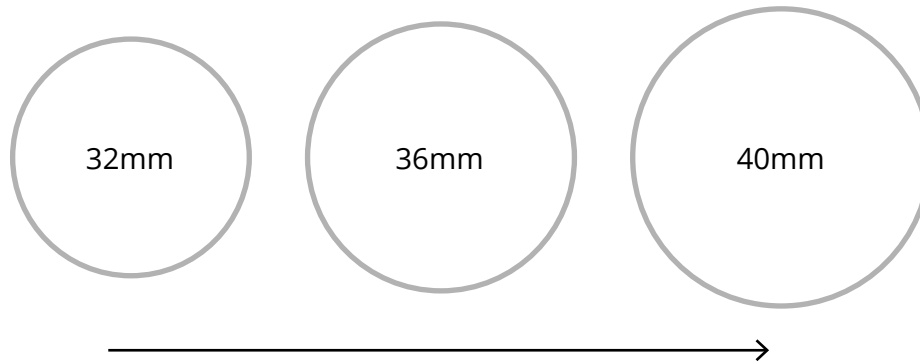
---

There are two primary factors that determine leg rigidity, load rating and overall stability.

### LEG DIAMETER

This is very simple - the bigger the better. In the shooting world, we deal only with Leofoto's largest sizes; 32mm, 36mm and 40mm.

When choosing leg diameter, you don't need to concern yourself too much with weight ratings.



**Thicker legs = Higher load capacity & leg rigidity**

Selecting the right size boils down to what you intend to do with the tripod and your budget. If you ever need to hike in the bush, you don't want a tripod that weighs much more than 2kg, hence you should look only at 32mm tripods. If you want the strongest possible tripod and you don't mind the weight, look at 40mm. If you want a sweet spot in between, consider 36mm.



# Understanding Leg Sections and diameters

## LEG SECTIONS (ALSO REFERRED TO AS STAGES)

Sections are slightly more complicated as there are pros and cons in both directions. The amount of sections a tripod has is a trade-off between the folded length and the 1) deployment time and 2) leg rigidity.

**Deployment Time** | Sections are connected by joints. A tripod has three legs, so that means three joints per section, each of which has to be unlocked and locked to deploy the tripod. A 2-section tripod has only 1 joint per leg, which makes the deployment lightning fast. A 4-section tripod has 3x joints per leg, thus 9 in total, so deployment takes long.

**Folded Length** | The more sections a tripod has, the shorter it folds up. A 2-section tripod like the SO-362C has a massive folded length of 120cm (bottom tripod below), where as the LM-404C folds down to 65cm (top tripod below). If you ever travel or go walking in the bush with your tripod, you have to make sure your tripod folds down short enough to be strapped to a backpack for convenient carrying.

**Leg Rigidity** | Joints compromise the rigidity of tripod legs. A solid carbon fiber tube would be optimal, but then tripods would be a nightmare to transport, thus we add joints so the leg sections telescope into each other to get it down to a practical size. This is thus also a key area of trade-off and it's what makes 3-section tripods like the LM-403C so popular. They are the sweet spot between folded length vs. deployment time and leg rigidity.

## CONCLUSION

- If deployment time is the #1 factor for you, then the 2-section SO-362C is the go-to model.
- If folded size is important to you because you travel or hike with your tripod, then look at 4-section models.
- If you are looking for a sweet spot in between, look at the 3-section models.



LM-404C - 63cm

**More leg sections = Shorter folded size = Easier to carry & travel**

**More effort to deploy & minor compromise in leg rigidity**



SO-362C - 106cm

	<b>MAX HEIGHT</b>	<b>FOLDED LENGTH</b>	<b>WEIGHT</b>
<b>Standard Tripods</b>			
LM-404CL	214cm	72cm	2.69kg
LM-404C	178cm	63cm	2.50kg
LM-403C	162cm	70cm	2.38kg
LM-364CL	170cm	60cm	2.05kg
LM-364C	145cm	53cm	1.92kg
SO-362C	180cm	106cm	2.27kg
SA-403C + MA-30L	160cm	63cm	2.3kg
SA-324C + MA-30L	155cm	59cm	1.67kg
LS-364CL + LH-47SC	220cm	90cm	2.5kg
LS-323C + LH-40SC	165cm	74cm	1.96kg
<b>Short Tripods</b>			
LM-402C	42cm	30cm	1.58kg
LS-362C	35cm	26cm	1.11kg
LS-223CEX + RH-0	32cm	22cm	0.61kg



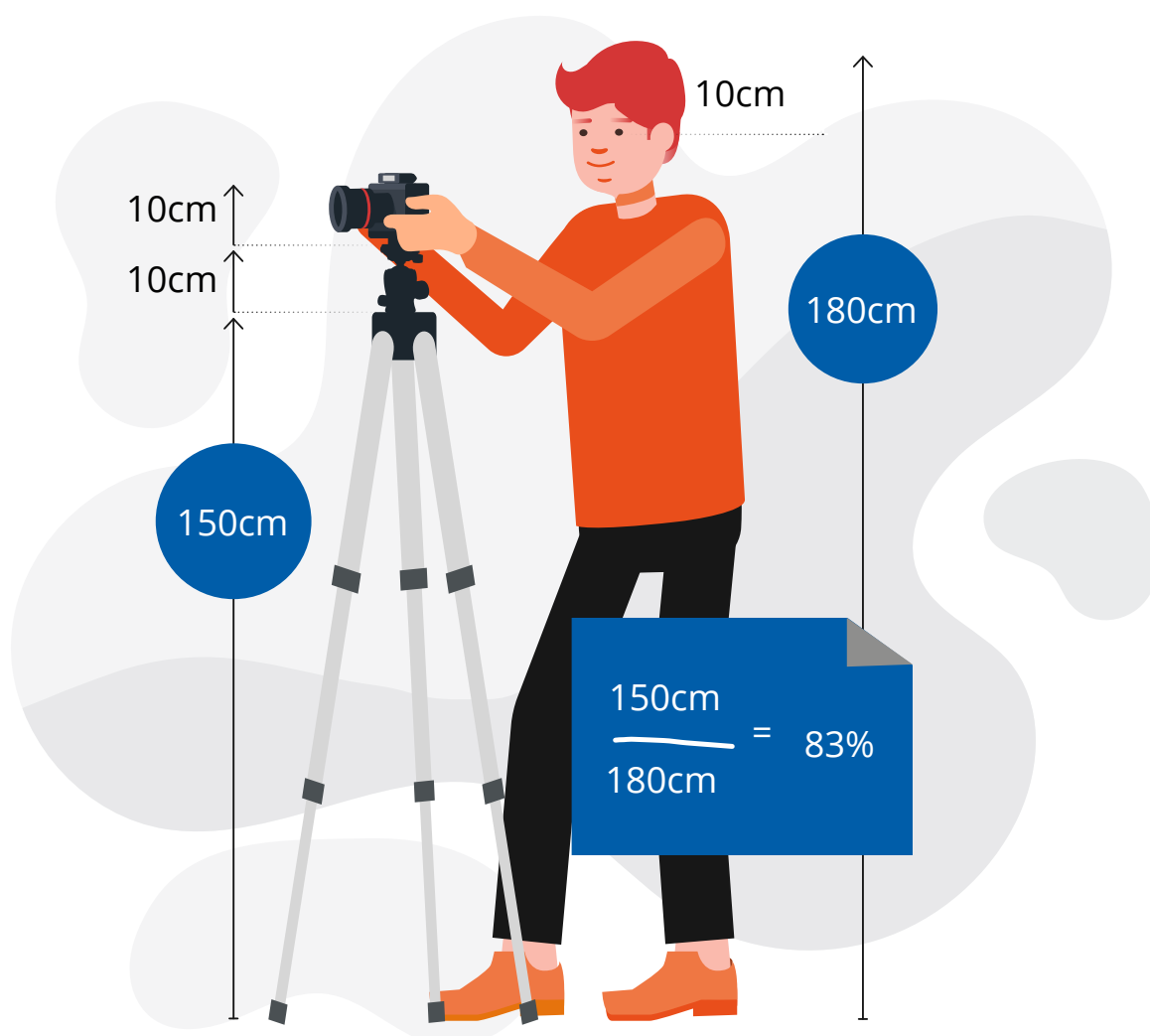
## The importance of Tripod Length

**A tripod should be as tall as you are,** so you have spare length for shooting on slopes & uneven terrain

For use on flat ground, a tripod only has to be about 80% as tall as the user. This is because the tripod head, rifle and scope add about 20-30cm. E.g. if you are 1.8m tall, then a tripod of 1.5m is sufficient on flat ground.

If you are shooting/spotting on uneven ground or on a slope, where one or more legs need to be extended to lower ground, then you need extra length. This is why we always recommend that people buy a tripod as tall as they are - it means you'll have more than enough length on flat ground and spare length for uneven ground.

Many ranges are on hilltops and a lot of hunting happens from high vantage points on rocky terrain, where that spare length is invaluable. The last thing you want to do with a tripod is to bend over to look through the scope - this will cause lower back pain and you'll hate using your tripod.





# TRIPOD LEGS



## Summit – Leofoto’s Summit range is the go-to support platform for the serious shooter.

---

Building on the best designs in the tripod industry, Leofoto’s Summit tripods combine precision manufacturing with the very best materials to offer a large tripod with a modular apex. This offers a solid support platform with a wide range of accessory compatibility that is an absolute pleasure to use and simple to maintain. Whether you’re heading to the range or the farm, Leofoto’s Summit range is the go-to support platform for the serious shooter.

### Summit LM-404C Carbon Fiber Tripod (BEST SELLER)

**Legs only**  
**R14 999**

with **YB-75LR**  
**R18 499**

with **LH-55SC**  
**R19 999**

with **MA-30L**  
**R20 999**

---

This model offers great support thanks to fat 40mm legs and an impressive 178cm extended height, which is tall enough for anyone except the likes of Eben Etzebeth. 4-sections means it folds down to just 63cm, making it travel friendly.

#### Specifications

- Material - Carbon Fiber
- Leg Sections - 4
- Maximum Height - 178cm
- Minimum Height - 10cm
- Closed Length - 63cm
- Weight - 2500g
- Load Capacity - 40kg



## Summit LM-404CL Carbon Fiber Tripod

**Legs only**  
**R15 999**

with **YB-75LR**  
**R19 699**

with **LH-55SC**  
**R21 699**

with **MA-30L**  
**R22 299**

This is an extra long version of the LM-404C, extending to a monstrous 214cm. For those taller than 195cm or those who like having extra length in reserve.

### Specifications

- Material - Carbon Fiber
- Leg Sections - 4
- Maximum Height - 214cm
- Minimum Height - 10cm
- Closed Length - 72cm
- Weight - 2690g
- Load Capacity - 40kg



## Summit LM-403C Rifle Sports Tripod – Camouflage

**Legs only**  
**R13 999**

with **YB-75LR**  
**R17 699**

with **LH-55SC**  
**R19 699**

with **MA-30L**  
**R20 299**

The LM-403C is our baby - a custom model made for the ZA market. In our opinion, for the shooting and hunting market, 3-sections is the sweet spot. It can be deployed in under 10-seconds, offers incredibly rigid 40mm legs, but still folds down to 70cm, which you can hike and fly with if necessary. The carbon fiber tubes are wrapped in an ultra-hard protective vinyl, which offers a layer of protection between the elements and your tripod.

### Specifications

- Material - Carbon Fiber with protective vinyl wrap
- Leg Sections - 3
- Maximum Height - 162cm
- Closed Length - 70cm
- Weight - 2380g
- Load Capacity - 40kg



## Summit LM-364C Carbon Fiber Tripod

**Legs only**  
**R12 499**

with **YB-75LR**  
**R16 199**

with **LH-47SC**  
**R17 999**

with **MA-30L**  
**R18 699**

The 36mm summits are perfect for those who want the modularity of a summit tripod, but without the weight of the 40mm models. The standard LM-364C is however on the short side and we don't recommend it for people taller than 175cm. If you want a taller LM-364C, just see below.

### Specifications

- Material - Carbon Fiber
- Leg Sections - 4
- Maximum Height - 145cm
- Minimum Height - 10cm
- Closed Length - 53cm
- Weight - 1920g
- Load Capacity - 30kg



## Summit LM-364CL Carbon Fiber Tripod

**Legs only**  
**R14 999**

with **YB-75LR**  
**R18 699**

with **LH-47SC**  
**R17 799**

with **MA-30L**  
**R21 299**

This is the extra long version of the LM-364C, which offers a tall 4-section summit that is lighter and folds up shorter than the LM-404C.

### Specifications

- Material - Carbon Fiber
- Leg Sections - 4
- Maximum Height - 170cm
- Minimum Height - 10cm
- Closed Length - 60cm
- Weight - 2050g
- Load Capacity - 30kg





## SO-362C Rapid Deploy 2-section Inverted Carbon Fiber Tripod

**Legs only**

**R13 499**

with **YB-75LR**

**R17 299**

with **LH-47SC**

**R18 699**

with **MA-30L**

**R19 699**

### THE GO-TO MODEL FOR COMPETITIVE PRS/PRF

This tripod is all about deployment time and is a must-have piece of gear for the competitive shooter. The inverted 2-section design means there is only one joint per leg to unlock and the top-mount position means it is much easier to reach. With enough practice, this tripod can be deployed in under 4 seconds.

**This tripod is a summit with inverted legs.**

This tripod is actually a 40mm, but because the name is determined by the diameter of the top leg and not the thickest leg, it is the SO-362C instead of the SO-402C.

### Specifications

- Material - Carbon Fiber
- Leg Sections - 2
- Maximum height - 180cm
- Minimum height - 14cm
- Closed length - 106cm
- Weight - 2270g





# Camo SA-324C + MA-30L Rifle Sports Tripod Kit

## R11 999

---

### #1 KEUSE VIR VOORSIT JAG MET GEWERE VAN <8KG

1. **Kompakte opgevoude lengte maak dit maklik om mee te stap op 'n rugsak**
2. **Ligte gewig - 1.67kg**
3. **Beskermende vinyl bo oor carbon fiber verseker langer lewe op die plaas en in die bos**
4. **MA-30L kop is eenvoudig en blits-vinnig om te hanteer**

The Leofoto SA series tripods represent the cutting edge of tripod design for rifle sports and optics mounting. An uncomplicated apex design keeps folded size compact, while offering large leg sizes for the best possible stability and heavy load support. It includes the brand new MA-30L dual format anvil-style lever release head, which accepts both arca and picatinny rails, while being simple, compact, super strong and lightning fast to operate.

This tripod has 4-section 32mm legs, extends to 155cm, folds down to 59cm, weighs 1670g and can accommodate a load of up to 15kg.

#### Specifications

- Max. height: 155cm
- Min. height: 12.5cm
- Folded length: 59cm
- Leg Sections: 4
- Max load: 15kg
- Weight: 1.67kg
- Tubes: 32/28/25/22mm



## SA-403C + MA-30L Rifle Sports Tripod Kit R16 999

---

### #1 KEUSE VIR VOORSIT JAG MET GEWERE VAN >8KG

1. Langer opgeslaande lengte as SA-324C, maar ook langer opgevoede lengte.
2. Ligte gewig - 2.3kg
3. Beskermende vinyl bo oor carbon fiber verseker langer lewe op die plaas en in die bos
4. MA-30L kop is eenvoudig en blits-vinnig om te hanteer.
5. Ons beveel die SA-403C aan bo die SA-324C vir skutte langer as 185cm en vir gewere swaarder as 8kg.

This tripod has 4-section 40mm legs, extends to 160cm, folds down to 73cm, weighs 2300g and can accommodate a load of up to 25kg.

### Specifications

- Max. height: 160cm
- Min. height: 16cm
- Folded length: 73cm
- Leg Sections: 3
- Max load: 25kg
- Weight: 2.3kg
- Tubes: 40/36/32mm

Photo by Erick de Klerk



# Ranger LS-323C + LH-40SC

## Carbon Fiber Tripod Kit

**R9 699**

---

### BEST VALUE

**The Ranger series tripods offer a strong, rigid camera support system in a package that is lightweight, compact and easy to use and maintain.**

There is no tripod on the global market that compares to Leofoto's Rangers when it comes to value for money. Most other brands will charge more just for a head comparable to Leofoto's LH range. The Rangers offer carbon fiber legs in a simple design that is easy to use, simple to maintain and offers great support.

If you don't want to break the bank, this is the best possible option.

All Rangers in the Leofoto's shooting range ship with the dual format SC clamp that accepts both Arca and Picatinny rails.

#### Specifications

- Material - Carbon Fiber
- Leg Sections - 3
- Maximum Height - 165cm
- Minimum Height - 18cm
- Closed Length - 73.5cm
- Weight - 1960g
- Load Capacity - 20kg





# Ranger LS-364CL + LH-47SC

## Carbon Fiber Tripod Kit

**R11 999**

---

### **BEST VALUE, SUPER TALL**

The LS-364CL + LH-47 features all the exact same features that make Leofoto's Ranger series so popular. Thicker legs and a larger head make it a lot more solid and increases it's weight rating to 20kg. The "CL" designation means it is longer than the standard LS-364. It reaches up to 165cm, which is tall enough for users of 185-195cm in length. The 4-section design means it folds down to just 63cm and the simplicity of columnless design puts the total weight at just 2kg.

The best part of all? This premium behemoth of a tripod, paired with an amazing ballhead, costs just R11 999. We invite anyone to try find a comparable tripod kit for the same price - let us know if you find anything!

#### **Specifications**

- Max. height: 210cm
- Min. height: 13cm
- Folded length: 90cm
- Leg Section: 4
- Max load: 20kg
- Weight: 2.5kg
- Tubes: 36/32/28/25mm



## Short Tripods

Ideal for prone & table top shooting or radar & optics mounting

### Leofoto Summit LM-402C **Carbon Fiber Tripod**

**Legs only**  
**R8 499**

with **YB-75LR**  
**R12 299**

\*\*NB - THIS IS A HEAVY DUTY TABLE-TOP/ LOW-ANGLE TRIPOD.

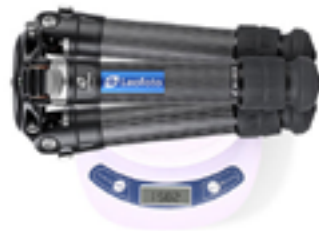
PLEASE CHECK THE SPECS BELOW - MAX HEIGHT 42CM.

#### Specifications

- Material - Carbon Fiber
- Leg Sections - 4
- Maximum Height - 42cm
- Minimum Height - 8cm
- Closed Length - 30cm
- Weight - 1580g
- **Load Capacity - 50kg**

**1.58**kg

Makes it ideally suited for travellers and those on and go.





## Leofoto LS-362C **Carbon Fiber Tripod**

### **Legs only**

**R5 999**

with **LH-40SC**

**R10 499**

\*\*NB - THIS IS A HEAVY DUTY TABLE-TOP/ LOW-ANGLE TRIPOD.

PLEASE CHECK THE SPECS BELOW - MAX HEIGHT 35CM.

### **Specifications**

- Max. Height: 35cm
- Min. Height: 6cm
- Folded length: 26cm
- Leg Sections: 2
- Max load: 40kg
- Weight: 1.11kg



## Leofoto Ranger Leveling LS-223CEX + RH-0 **Carbon Fiber Tripod Kit R3 499**

### **PERFECT FOR RADAR MOUNTING**

This compact tripod is the perfect platform for prone use of light rifles or for mounting radars.

### **Specifications**

- Max. Height: 32cm
- Min. Height: 7cm
- Folded length: 22cm
- Leg Section: 3
- Max load: 5kg
- Weight: 0.61kg
- Tilt range: -15°/+15°



# TRIPOD HEADS



Leafair



## LH-40/47/55SC Low Profile **Ballhead with Dual Profile Picatinny/Arca Clamp**

---

**Leofoto's LH ballheads are the epitome of perfect, simplistic engineering.**

Before we distributed Leofoto, we walked a long journey with many different tripod manufacturers and faulty heads were a part of daily life. Torn grip pads, broken pan bearings, jammed clamps, seized balls.. and the list goes on. **We've sold well over 1000 LH ballheads in South Africa and we have only had 2 failures; a dream come true.**

These heads feature a clamshell design, which ensures maximum locking force in relation to ball size and an **ultra-simple design, which simply doesn't break**, even with years of abuse.

All LH heads are **paired with the new LSC-50 dual format clamp**, which accepts both **Arca and Picatinny rails**. It also allows adjustment of the clamp gauge by hand, which means no more searching for that missing allen key when changing between arca and picatinny.

A key feature of conventional ballheads is tension control. This allows you to apply a finely controlled soft-lock to the head, which means that the head will hold your optic/rifle, but can still be adjusted with a bit more force. The pan control also means you can control tilt and pan individually, which is a great feature when spotting.





## LH-40SC R4 699

- Weight: 540g
- Max Load: 20kg
- Height: 85mm
- Ball Diameter: 40mm
- Base Diameter: 57mm
- Plate Model: QP-70

**The LH-40 is the ideal size** for any optics and lightweight rifles **under 6kg**. It features large ribbed control knobs, which makes it easy to operate, even for those with gorilla hands.



## LH-47SC R5 299

- Weight: 625g
- Max Load: 22kg
- Height: 98mm
- Ball Diameter: 47mm
- Base Diameter: 62mm
- Plate Model: QP-70N

**The LH-47** hits the sweet spot between size, weight and locking force. It is **ideal for rifles of 6-12kg**.



## LH-55SC R5 999

- Weight: 940g
- Max Load: 25kg
- Height: 98mm
- Ball Diameter: 55mm
- Base Diameter: 72mm
- Plate Model: QP-70

**The LH-55** is the big boy in the range and what would be considered an oversize model. It weighs a whopping 940g and is **the ultimate ballhead in Leofoto's range**. While it offers great support, make sure that you don't intend to travel or hike with your tripod as paired with a 40mm set of legs, you'll be close to the 4kg mark when paired with the LH-55.



## MA-30L Rapid Lock Anvil Head

---

**The Leofoto MA-30L is an inverted design dual-format rapid-lock ballhead. The MA-30L incorporates several revolutionary design approaches which makes it remarkably strong for its size and incredibly efficient and easy to operate.**

The first key feature is the inverted ball design - the clamp is mounted directly to the ball. There is no stem between the ball and the clamp, negating the leverage created by a stem.

The second is that instead of a screwing lock-knob, the head locks by means of a massive lever, which clamps the entire head down around the ball via an oversized screw that pinches the ball between a lower and upper body. A combination of maximum surface area and the leverage achieved with the large locking mechanism means that you get far more locking power for the ball size and force applied than with a normal head.

Every other aspect of the head is designed to keep it as compact as possible and the result is that the MA-30L offers as much locking power as the conventional LH-55, but only weighs half as much. A much lower profile also keeps the rifle's center of gravity closer to the apex of the tripod.

**If you want the smallest, lightest head that offers the most power and is the simplest and fastest to operate - the MA-30L is the best solution.**

**\*All SA kits are paired with the MA-30L**



**With 75mm  
Mount**  
**R6 499**

- For use with 36mm summit tripods (e.g. LM-364, SO-362)



**With 100mm  
Mount**  
**R6 499**

- For use with 40mm Summit tripods (e.g. LM-404C, LM-403C)





# Leofoto YB-75LR Dual Format Arca Picatinny Leveling Base

**R3 899**

The Leofoto YB-75LR is a leveling base for 75mm half-bowls with a dual format Arca/ Dovetail and Picatinny lever-release clamp.

A leveling base is one of the most popular options for rifle mounting due to its affordability, low profile and easy operation. A leveling base also offers great ergonomics, with one hand on the trigger and the other under the apex to operate the head. The only downside to the YB-75LR is it offers no tension control.

The YB-75LR is only compatible with the summit Apex (LM and SO tripods)

## Specifications

- Weight - 380g
- Height - 174mm
- Diameter - 75mm
- Clamp - Arca swiss and Picatinny



Big clamp is for Arca standard plate

Small clamp is for gun rail



## Leofoto GS-3 Universal Rifle Mount / Hog Saddle R4 499

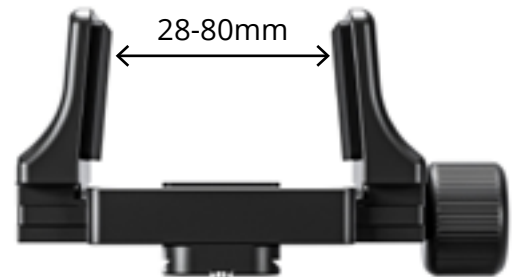
The Leofoto GS-3 universal rifle mount / hog saddle enables the secure mounting of any rifle with a chassis/stock width between 28-80mm on any tripod with a 3/8" thread or a head with Arca-swiss dovetail clamp.

The GS-3 is a universal rifle clamp in a league of its own. Most options on the market are made from cast alloys and a cheap screwing bolt mechanism that only clamps from one side. The GS-3 is machined from aircraft grade aluminium, features a stainless steel screw that clamps from both sides and is finished in a high end protective anodising with a high density rubber pad that won't damage your rifle's chassis. If you're mounting a family heirloom on a tripod or a beautifully crafted wooden rifle, this accessory will give you a rock-solid mount, while protecting your beloved rifle.



Arca-swiss  
Dovetail Standard

Threaded  
3/8"-20 hole



## GS-1 Adapter **Picatinny/NATO to Arca-Swiss Dovetail R1 499**

This adapter allows you to mount any rifle with a Picatinny/Nato rail to an Arca-Swiss/Dovetail clamp.

### Specifications

- Length: 60mm
- Width: 38mm
- Height: 17mm
- Weight: 80g



## GSP M-Lok Arca Rails

The Leofoto GSP M-Lok Arca Rails offer premium rifle rails in various lengths at affordable pricing for easy tripod mounting. Machined from aircraft grade aluminium and finished with a hard anodising process to minimise wear. There are 3 sizes available with 6, 4 and 2 M-Lok screws respectively.



### **GSP-80** **R699**

- 80 x 38mm
- 45g

### **GSP-140** **R999**

- 140 x 38mm
- 74g

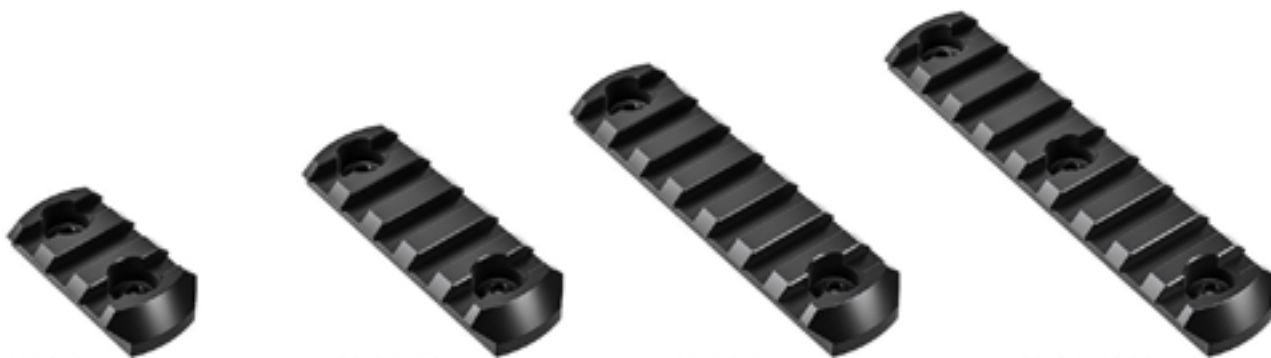
### **GSP-240** **R1 299**

- 240 x 38mm
- 120g



## MLP M-Lok Picatinny Rails

The Leofoto MLP Series M-LOK Quick Release Plate is Picatinny compatible. The plate is CNC machined from T6061 and hard anodized for durability and can be secured to the M-LOK handguard of compatible rifles. **Rifle accessories can then be easily mounted via the picatinny rail.**



### MLP-40 R299

- Weight: 17g
- 3 usable slots
- Max overall length of 40mm

### MLP-60 R349

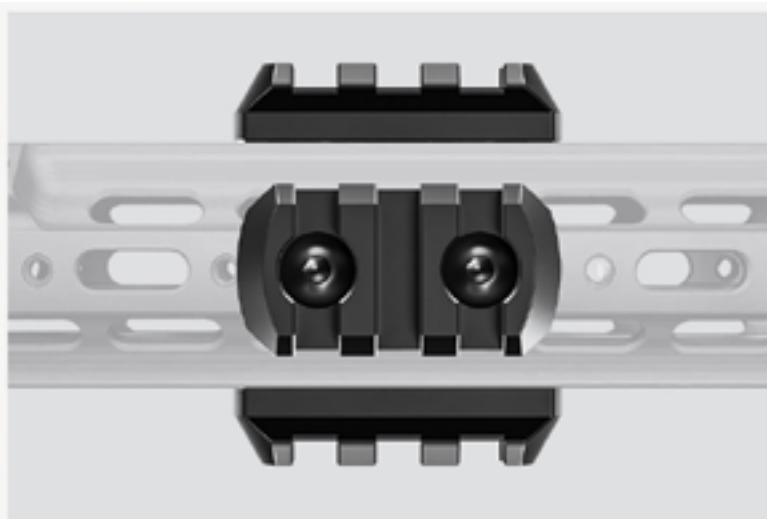
- Weight: 24g
- 5 usable slots
- Max overall length of 60mm

### MLP-80 R399

- Weight: 29g
- 7 usable slots
- Max overall length of 80mm

### MLP-100 R499

- Weight: 38g
- 9 usable slots
- Max overall length of 100mm





## GSA Arca - Picatinny Adapters

---

The Leofoto GSA Series Arca-Picatinny rails allows the **mounting of Picatinny accessories into arca clamps**. These can be used creatively in countless different applications.

Made from 6061-T6 aircraft grade aluminium and finished with a hard anodising



**GSA-80**  
**R599**

- Weight: 35g
- 7 usable slots
- Max overall length of 80mm



**GSA-180**  
**R799**

- Weight: 62g
- 17 usable slots
- Max overall length of 180mm



# LSC-50 Dual Format **Arca Picatinny Clamp**

**R1 599**

The Leofoto LSC-50 is a **dual format quick release lever clamp** that accepts both **Arca and Picatinny/NATO** rails. The clamp's gauge can be adjusted without any tools via the knurled knob on the side.

This clamp is the end of Arca-Picatinny adapters.

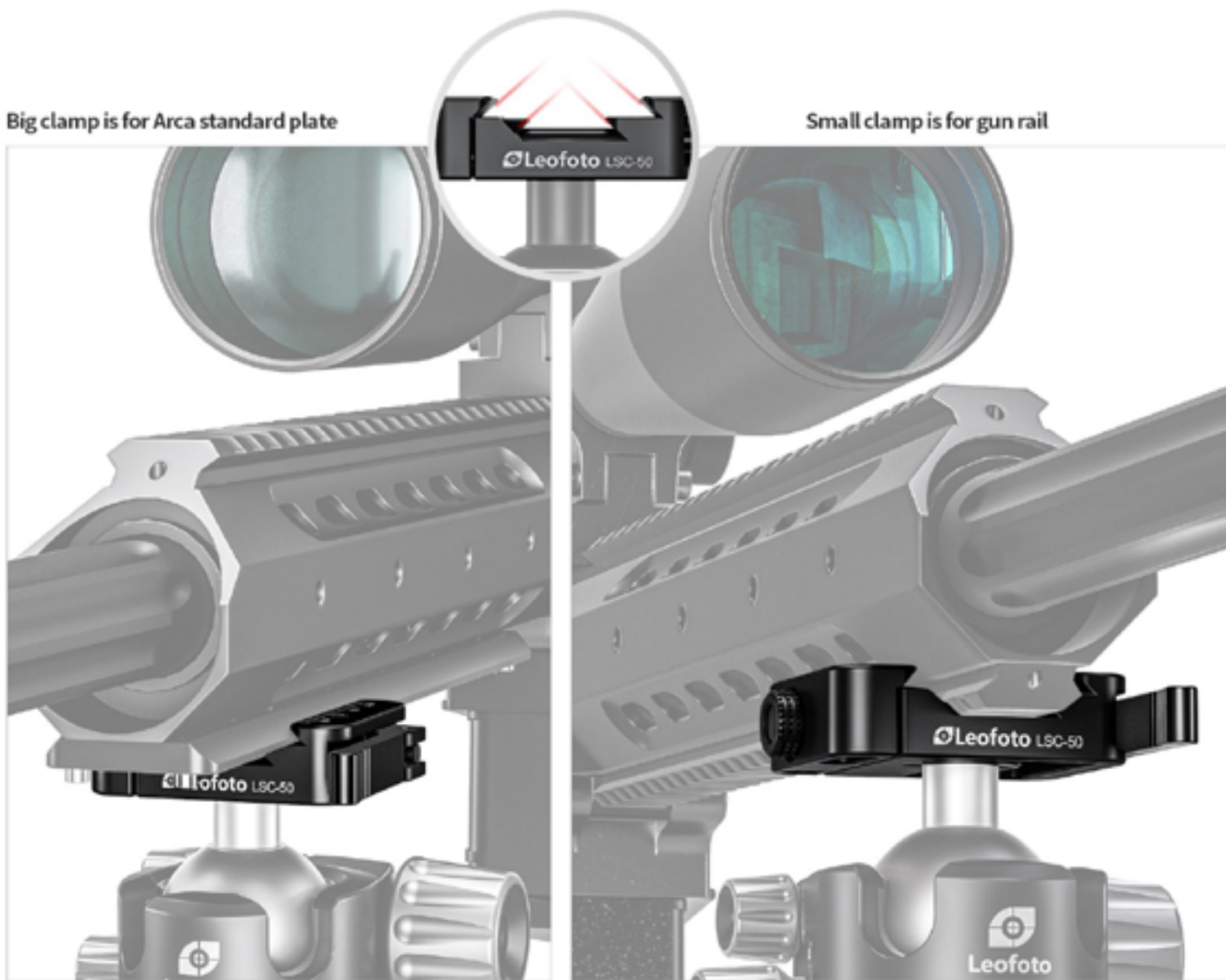
## LSC-50 Specifications

- Height 17mm
- Length 60mm
- Width 50mm
- Weight 105g



Big clamp is for Arca standard plate

Small clamp is for gun rail



## FDM-03/ FDM-04 Binocular Rangefinder Rail Kit

---

Leofoto's FDM-03/04 is a **universal accessory rail kit** with two mounting systems. This product is designed for rifle sport users to mount optics and telemetry equipment, but it can be used for a wide variety of industries and applications.

The only difference between these two kits is the length of the included rails. **The FDM-03 has a 320mm rail, whereas the FDM-04 has a 450mm rail.**

### **FDM-03** **R2 999**

---

- Length: 320mm
- Weight: 600g
- Width: 38mm

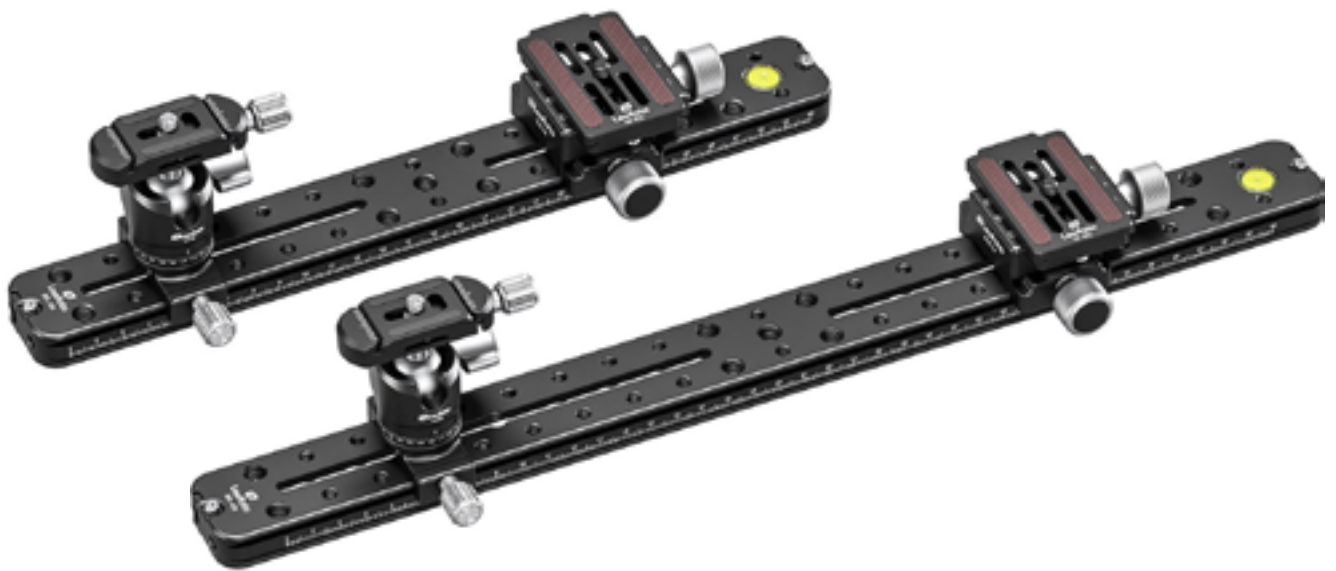
### **FDM-04** **R3 499**

---

- Length: 450mm
- Weight: 690g
- Width: 38mm







### Included in this kit

**BPL-320 (320mm) OR BPL-450 (450mm) Double Arca Profile Rail** – This rail/plate features a double Arca profile, which allows the user to position multiple mounting options at any position. The bottom profile allows the rail to be moved to any position in an Arca clamp to suit a variety of installed equipment. A large top-mounted spirit level allows quick and easy levelling of the rail for level panning and accurate measurements.

**LH-22 Ball Head** – This ball head allows one of the installed items to be manoeuvred independently of the rail. This is ideal for training a spotting scope on a target. Note that this is not a standard LH-22 – it is permanently mounted to an Arca clamp, which allows it to be attached to the rail. A small mounting plate is included with the head.

**DDC-38 Double Arca Clamp** – This is a dual Arca clamp system that allows one of the installed items to be mounted parallel or perpendicular to the rail.

**NP-60S Quick Release Plate** – A high quality Arca-Swiss quick release plate (66mm) used to mount your camera or accessories via a 1/4" tripod screw.





## FDM-05 Foldable **Tac Table**

**R2 999**

The Leofoto FDM-05 Foldable Tac Table is an extremely versatile and portable tripod table that can be used for a myriad of applications. It is primarily designed for rifle sports enthusiasts to mount optics and telemetry equipment or to hold a rear bag.

The table is constructed from hard anodized, aircraft-grade 6061-T6 aluminum for maximum strength and durability. The FDM-05 features an integrated arca rail which allows the table to be mounted to a ballhead or directly to a tripod. It also features many “cheese plate” mounting sockets and holes found all around the surface, which can be used to mount virtually any accessory as there are both 1/4” and 3/8” mounting sockets.

It also features dual wing extensions which can be used to quickly create an optics rail. This versatile tactical table is perfect for the shooters who value portability as it can fold up into a compact profile.

### FDM-05 Specifications

- Length: 345mm
- Width: 144mm
- Weight: 530g



## Leofoto BC-02 Universal Binocular Clamp Holder with Arca-Swiss Foot

### R1 499

This simple clamping jaw is our **#1 binocular mounting system**. While it's off-center design might look awkward, it works, simply and reliably.

### Specifications

- Clamp diameter: 28~60mm
- Weight: 200g
- Dovetail: Arca standard
- Leofoto BC-03 Binocular Mounting System



## Leofoto BC-03 Binocular Mounting System

### R1 499

The Leofoto BC-03 binocular mount allows you to **mount almost any binocular on any tripod**. The binoculars attach to the BC-03 via a stud that screws into the accessory attachment port on your binoculars. The other end of the stud simply slots in and is held in place by a catch, which is released by a push-button.

### Compatibility

- The BC-03 includes the S1 universal stud, compatible with any bino with a 1/4" threaded port. This includes most Vortex, Steiner, Nikon, Pentax, Kahles & Leupold models.
- The S2 stud is for Swarovski binoculars.
- The S3 stud is for Leica Ultravid models.
- The S4 stud is for Zeiss RF models and replaces the battery cap on the binoculars.



## AM-7 Kestrel Mount Kit

### R2 499

This massive magic arm was developed on our request as a dedicated Kestrel mount for target shooting. **The optimal and simplest spotting setup is mounting your scope/binos in the main tripod head and the kestrel mounted on the side via a magic arm.**

The AM-7 has a total length of 600mm (in straight position), which allows the kestrel to be mounted well above even the largest spotting scopes. This is so that the spotting scope does not interfere with the wind reading.

If mounting the kestrel in the rotating vane, it is critical that the vane is mounted perfectly level to allow for easy and accurate rotation with wind direction. This level attaches to the tip of the arm and a 1/4" spigot provides a mounting point for the Kestrel vane.



# COMING SOON... OUR BEST TRIPOD EVER

Leofoto Black Rhino

UNVEILING AT HUNTEX 2024

- Poseidon joint technology
- High density carbon fiber weave
- Titanium feet
- All-black design
- Exclusive to South Africa

  
**HuntEx**  
2024







# HuntEx 2024

**FIND US AT HUNTEX 2024**

**26-28 APRIL  
GALLAGHER CONFERENCE CENTER  
MIDDLE OF HALL 2  
STOCK AVAILABLE  
MASSIVE SAVINGS**



# Sign up for the Leofoto Rifle Sport Newsletter

Exclusively shooting content

**SIGN UP FOR OUR RIFLE SPORTS NEWSLETTER**

# Find us on Instagram

Exclusively shooting content

**FIND US ON INSTAGRAM**





## Where to Buy

---

### ONLINE

landscapegear.co.za  
threepercenttactical.co.za  
venaticsgear.net

### GAUTENG

Pretoria Arms  
Venatics  
Approved Arms (Dirk Pio)  
MC Tactical  
Demo/Sales stock

### WESTERN CAPE

Landscapegear  
3% Tactical  
Pro Impact  
Orms Bellville

### LIMPOPO

Lombard Arms

### EASTERN CAPE

Damien  
Karoo Guns

### MPUMALANGA

Dealers wanted!

### FREE STATE

Dealers wanted!

### NORTH WEST

Dealers wanted!

## Become a Dealer

---

Contact us on [info@landscapegear.co.za](mailto:info@landscapegear.co.za)

Subject to strict minimum purchase terms.

[CONTACT US](#)